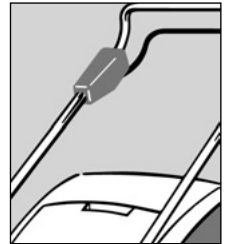


Lawn mowers

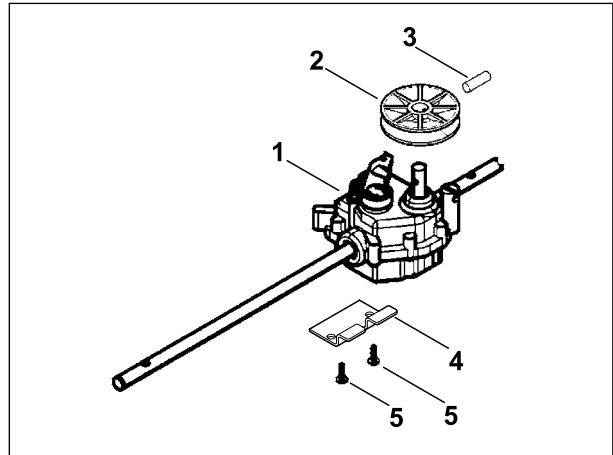


Overview

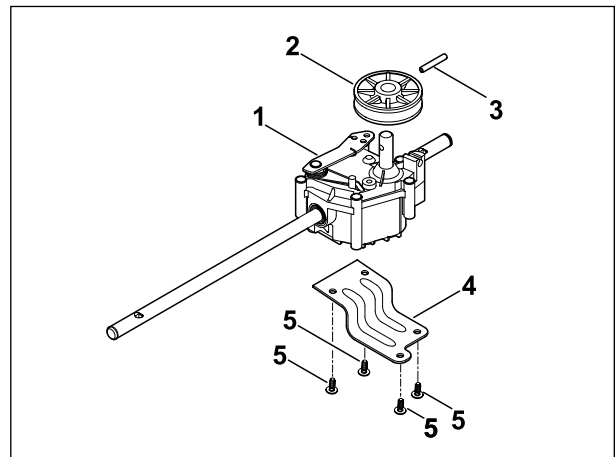
1. New gearbox (MB 443.0 T, MB 448.0 T)
2. New gearbox (MB 3 RT)

1. New gearbox (MB 443.0 T, MB 448.0 T)

In order to improve functionality, a new gearbox **1** is used in models MB 443.0 T and MB 448.0 T. For this purpose, bracket **4** has also been modified and two additional screws **5** are used.



Previous version



New version

Application of changes

Model	from serial number
MB 443.0 T	4 31 206 170
MB 448.0 T	

Summary

Item	Designation	Previous version	New version	Note
1	Gearbox	6336 640 0101 <input type="checkbox"/> 2, 3	6336 640 0102 <input type="checkbox"/> 2, 3	(2), (A)
2	V-belt pulley	6103 704 1015	6103 704 1015	(E)
3	Roll pin	9380 620 2700	9380 620 2700	(E)
4	Bracket	6336 704 2711	6336 704 2712	(2), (A)
5	Screw	9104 007 4260 (2x)	9104 007 4260 (4x)	

included

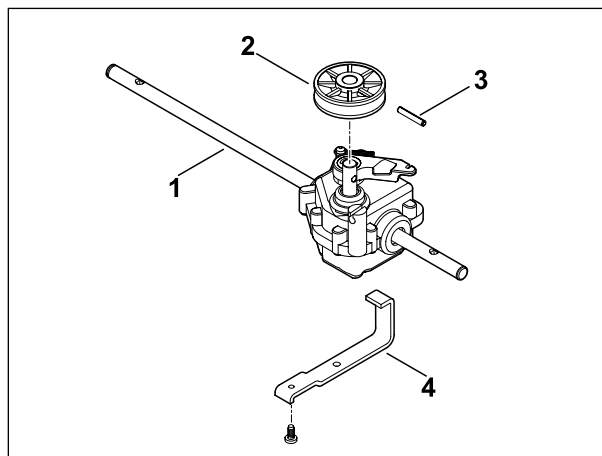
Note

- (1) The new version of the component is **exchangeable** with the previous version.
- (2) The new version of the component is **not exchangeable** with the previous version.
- (3) The previous version of the component **cannot be used** for new appliances. However, the new version of the component **can be used** for units of an older design.
- (A) The previous version of the component is **still** available as a spare part.
- (B) The previous version of the component will **no longer** be available as a spare part **once stocks have been exhausted**.
- (C) The previous version of the component is **no longer** available as a spare part.
- (D) **New component**
- (E) **No change**

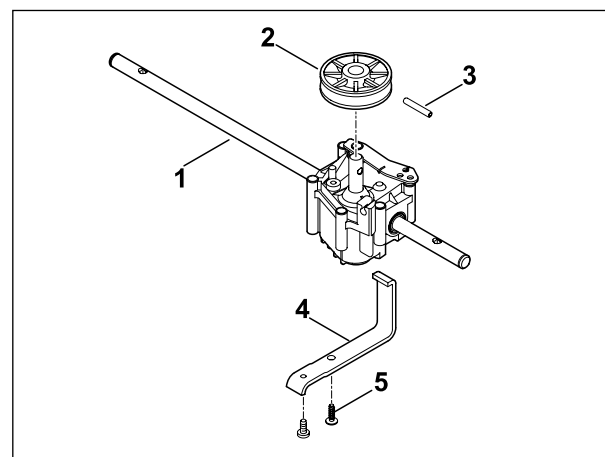
2. New gearbox (MB 3 RT)

In order to improve functionality, a new gearbox **1** is used on model MR 3 RT.

For this purpose, bracket **4** has also been modified and one additional screw **5** is used.



Previous version



New version

Application of changes

Model	from serial number
MB 3 RT	4 31 206 170

Summary

Item	Designation	Previous version	New version	Note
1	Gearbox	6336 640 0101 <input type="checkbox"/> 2, 3	6336 640 0102 <input type="checkbox"/> 2, 3	(2), (A)
2	V-belt pulley	6103 704 1015	6103 704 1015	(E)
3	Roll pin	9380 620 2700	9380 620 2700	(E)
4	Bracket	6361 704 2700	6361 704 2701	(2), (A)
5	Screw	-	9104 007 4270	

included

Note

- | | |
|---|---|
| <p>(1) The new version of the component is exchangeable with the previous version.</p> <p>(2) The new version of the component is not exchangeable with the previous version.</p> <p>(3) The previous version of the component cannot be used for new appliances. However, the new version of the component can be used for units of an older design.</p> | <p>(A) The previous version of the component is still available as a spare part.</p> <p>(B) The previous version of the component will no longer be available as a spare part once stocks have been exhausted.</p> <p>(C) The previous version of the component is no longer available as a spare part.</p> <p>(D) New component</p> <p>(E) No change</p> |
|---|---|