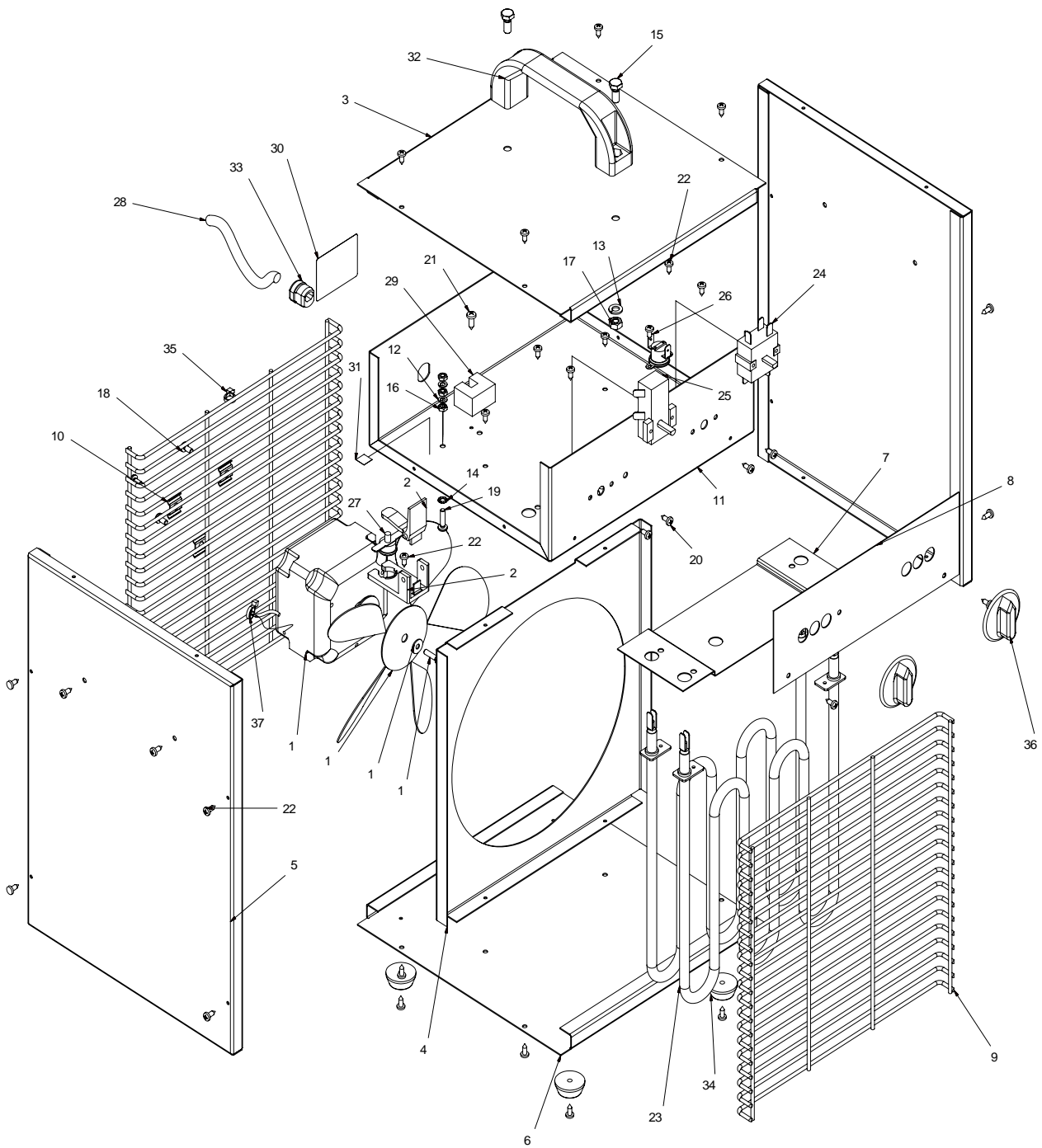


MASTER ELECTRIC HEATERS B 2 EPA 2kW

Pos.	Description	Code NR	Qty.
1	WASHER	4510.140	3
2	GRILL	4510.190	2
3	HEAT SHIELD	4510.191	1
4	TOP COVER	4510.192	1
5	SHELF	4510.193	1
6	SIDE COVER	4510.194	2
7	DOWN COVER	4510.195	1
8	NAME PLATE	4510.196	1
9	BASE FOR RESET LEVER	4510.611	1
10	RESET LEVER	4510.612	1
11	WASHER A4	4510.810	4
12	WASHER A6	4510.831	2
13	WASHER A4,3	4510.811	1
14	SCREW M6x14	4510.829	2
15	SCREW M4x16	4510.807	1
16	NUT M4	4510.808	5
17	NUT M6	4510.830	2
18	TAP SCREW M4x8	4510.814	3
19	TAP SCREW M4x16	4510.828	1
20	TAP SCREW ST3,5x9,5	4510.801	4
21	TAP SCREW ST3,9x13	4510.818	1
22	TAP SCREW ST3,9x9,5	4510.802	29
23	MOTOR 5W/230V	4510.301	1
24	FAN	4510.316	1
25	HEATING ELEMENT 1000W	4510.361	2
26	SWITCH	4510.401	1
27	BIMETAL THERMOSTAT	4510.403	1
28	OVERHEAT SENSOR	4510.404	1
29	TEMP LIMITER	4510.405	1
30	POWER CORD	4510.407	1
31	SCREW TERMINAL	4510.409	1
32	DATA PLATE	N/A	1
33	LABEL GROUND WIRE	4510.536	1
34	HANDLE	4510.601	1
35	STRAIN RELIEF BUSHING	4510.605	1
36	LEG RUBBER	4510.607	4
37	BELT	4510.608	2
38	KNOB	4510.610	2
39	WASHER 4,3 12mm	4510.812	1
40	WIRE 1.5 BLUE 0.08	4510.900	1
40	WIRE 1.5 BROWN 0.12	4510.910	1
40	WIRE 1.5 BROWN 0.16	4510.912	1
40	WIRE 1.5 BLUE 0.16	4510.913	1
40	WIRE 1.5 BROWN 0.16	4510.914	1
40	WIRE 1.5 BROWN 0.20	4510.916	2
40	WIRE 1.5 BLUE 0.20	4510.918	1
40	WIRE 1.5 BLUE 0.20	4510.922	1
40	WIRE 1.5 BROWN 0.23	4510.923	1

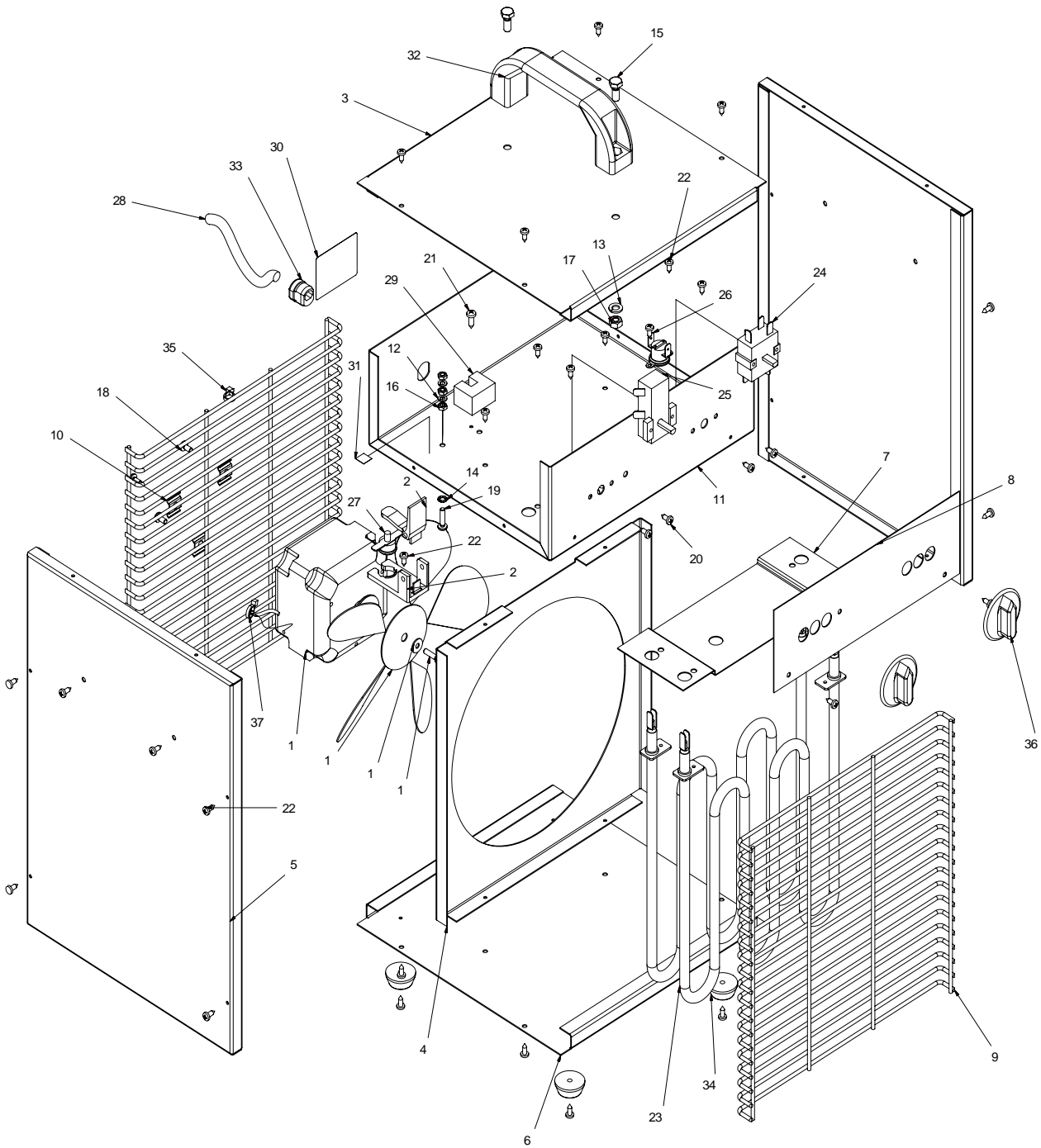
N/A = Parts Not Available



MASTER ELECTRIC HEATERS B 3 EPA 3kW

Pos.	Description	Code NR	Qty.
1.1	SCREW M4x16	4510.807	1
1.2	MOTOR 5W/230V	4510.301	1
1.3	FAN	4510.317	1
1.4	WASHER 4,3 12mm	4510.812	1
2.1	BASE FOR RESET LEVER	4510.611	1
2.2	RESET LEVER	4510.612	1
3	TOP COVER	4510.102	1
4	ROUND COVER	4510.112	1
5	SIDE COVER	4510.116	2
6	DOWN COVER	4510.121	1
7	HEAT SHIELD	4510.126	1
8	NAME PLATE	4510.135	1
9	GRILL	4510.138	2
10	WASHER	4510.140	3
11	SHELF	4510.178	1
12	WASHER A4	4510.810	2
13	WASHER A6	4510.831	2
14	WASHER A4,3	4510.811	1
15	SCREW M6x14	4510.829	2
16	NUT M4	4510.808	3
17	NUT M6	4510.830	2
18	TAP SCREW M4x8	4510.814	3
19	TAP SCREW M4x16	4510.828	1
20	TAP SCREW ST3,5x9,5	4510.801	4
21	TAP SCREW ST3,9x13	4510.818	1
22	TAP SCREW ST3,9x9,5	4510.802	36
23	HEATING ELEMENT 1400W	4510.362	2
24	SWITCH	4510.401	1
25	BIMETAL THERMOSTAT	4510.403	1
26	OVERHEAT SENSOR	4510.404	1
27	TEMP LIMITER	4510.405	1
28	POWER CORD	4510.408	1
29	SCREW TERMINAL	4510.409	1
30	DATA PLATE	N/A	1
31	LABEL GROUND WIRE	4510.536	1
32	HANDLE	4510.601	1
33	STRAIN RELIEF BUSHING	4510.605	1
34	LEG RUBBER	4510.607	4
35	BELT	4510.608	2
36	KNOB	4510.610	2
37	WIRE 1.5 BLUE 0.08	4510.900	2
37	WIRE 1.5 BROWN 0.11	4510.904	3
37	WIRE 1.5 BROWN 0.12	4510.910	1
37	WIRE 1.5 BLUE 0.20	4510.918	1
37	WIRE 1.5 BLUE 0.08	4510.919	1
37	WIRE 1.5 BROWN 0.25	4510.927	1
37	WIRE 1.5 BROWN 0.25	4510.928	1

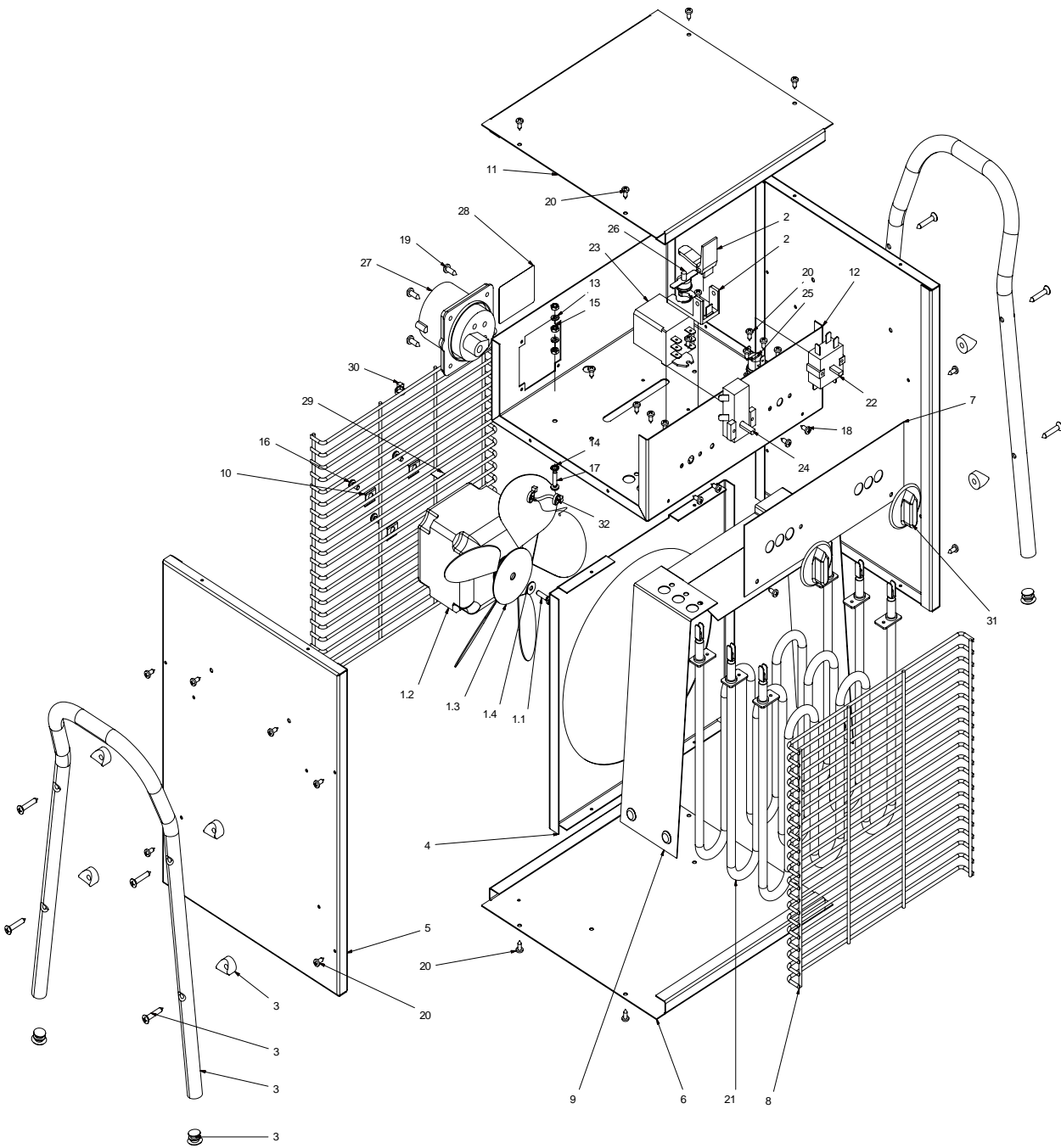
N/A = Parts Not Available



MASTER ELECTRIC HEATERS B 3.3 EPA 3,3kW

Pos.	Description	Code NR	Qty.
1.1	SCREW M4x16	4510.807	1
1.2	MOTOR 5W/230V	4510.301	1
1.3	FAN	4510.317	1
1.4	WASHER 4,3 12mm	4510.812	1
2.1	BASE FOR RESET LEVER	4510.611	1
2.2	RESET LEVER	4510.612	1
3	TOP COVER	4510.102	1
4	ROUND COVER	4510.112	1
5	SIDE COVER	4510.116	2
6	DOWN COVER	4510.121	1
7	HEAT SHIELD	4510.126	1
8	NAME PLATE	4510.135	1
9	GRILL	4510.138	2
10	WASHER	4510.140	3
11	SHELF	4510.178	1
12	WASHER A4	4510.810	2
13	WASHER A6	4510.831	2
14	WASHER A4,3	4510.811	1
15	SCREW M6x14	4510.829	2
16	NUT M4	4510.808	3
17	NUT M6	4510.830	2
18	TAP SCREW M4x8	4510.814	3
19	TAP SCREW M4x16	4510.828	1
20	TAP SCREW ST3,5x9,5	4510.801	4
21	TAP SCREW ST3,9x13	4510.818	1
22	TAP SCREW ST3,9x9,5	4510.802	36
23	HEATING ELEMENT 1666W	4510.359	2
24	SWITCH	4510.401	1
25	BIMETAL THERMOSTAT	4510.403	1
26	OVERHEAT SENSOR	4510.404	1
27	TEMP LIMITER	4510.405	1
28	POWER CORD	4510.408	1
29	SCREW TERMINAL	4510.409	1
30	DATA PLATE	N/A	1
31	LABEL GROUND WIRE	4510.536	1
32	HANDLE	4510.601	1
33	STRAIN RELIEF BUSHING	4510.605	1
34	LEG RUBBER	4510.607	4
35	BELT	4510.608	2
36	KNOB	4510.610	2
37	WIRE 1.5 BLUE 0.08	4510.900	2
37	WIRE 1.5 BROWN 0.11	4510.904	3
37	WIRE 1.5 BROWN 0.12	4510.910	1
37	WIRE 1.5 BLUE 0.20	4510.918	1
37	WIRE 1.5 BLUE 0.08	4510.919	1
37	WIRE 1.5 BROWN 0.25	4510.927	1
37	WIRE 1.5 BROWN 0.25	4510.928	1

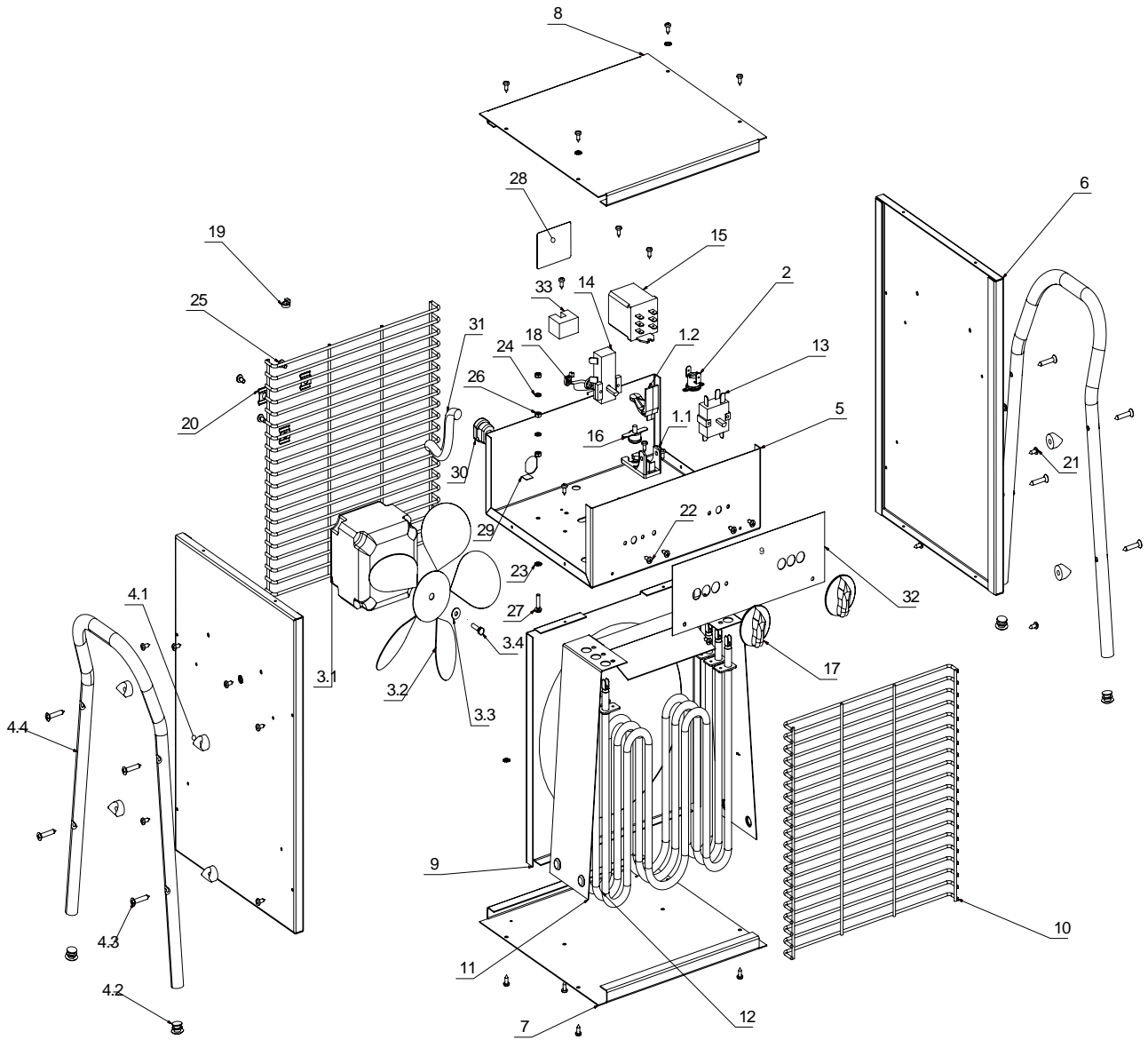
N/A = Parts Not Available



MASTER ELECTRIC HEATERS B 5 EPA 5kW

Pos.	Description	Code NR	Qty.
1.1	SCREW M4x16	4510.807	1
1.2	MOTOR 12W/230V	4510.306	1
1.3	FAN	4510.317	1
1.4	WASHER 4,3 12mm	4510.812	1
2.1	BASE FOR RESET LEVER	4510.611	1
2.2	RESET LEVER	4510.612	1
3.1	PIPE HANDLE	4510.128	2
3.2	TAP SCREW ST3,9x25	4510.817	8
3.3	PLASTIC DISTANCE 15mm	4510.603	8
3.4	PIPE CAP 12mm	4510.604	4
4	ROUND COVER	4510.112	1
5	SIDE COVER	4510.117	2
6	DOWN COVER	4510.121	1
7	NAME PLATE	4510.136	1
8	GRILL	4510.138	2
9	HEAT SHIELD	4510.139	1
10	WASHER	4510.140	3
11	TOP COVER	4510.143	1
12	SHELF	4510.181	1
13	WASHER A4	4510.810	2
14	WASHER A4,3	4510.811	1
15	NUT M4	4510.808	3
16	TAP SCREW M4x8	4510.814	3
17	TAP SCREW M4x16	4510.828	1
18	TAP SCREW ST3,5x9,5	4510.801	4
19	TAP SCREW ST3,9x13	4510.818	4
20	TAP SCREW ST3,9x9,5	4510.802	40
21	HEATING ELEMENT 1666W	4510.359	3
22	SWITCH	4510.401	1
23	RELAY	4510.402	1
24	BIMETAL THERMOSTAT	4510.403	1
25	OVERHEAT SENSOR	4510.404	1
26	TEMP LIMITER	4510.405	1
27	PLUG	4510.406	1
28	DATA PLATE	N/A	1
29	LABEL GROUND WIRE	4510.536	1
30	BELT	4510.608	3
31	KNOB	4510.610	2
32	WIRE 1.5 BLUE 0.08	4510.900	2
32	WIRE 1.5 BROWN 0.12	4510.910	1
32	WIRE 1.5 BROWN 0.13	4510.911	1
32	WIRE 1.5 BLUE 0.16	4510.913	1
32	WIRE 1.5 BROWN 0.20	4510.916	1
32	WIRE 1.5 BROWN 0.20	4510.917	2
32	WIRE 1.5 BLUE 0.08	4510.919	1
32	WIRE 1.5 BROWN 0.24	4510.925	2
32	WIRE 1.5 BLUE 0.30	4510.926	1
32	WIRE 1.5 BROWN 0.38	4510.934	1
32	WIRE 1.5 BROWN 2*0.15	4510.937	1
32	WIRE 2.5 YELLOW 0.10	4510.938	1

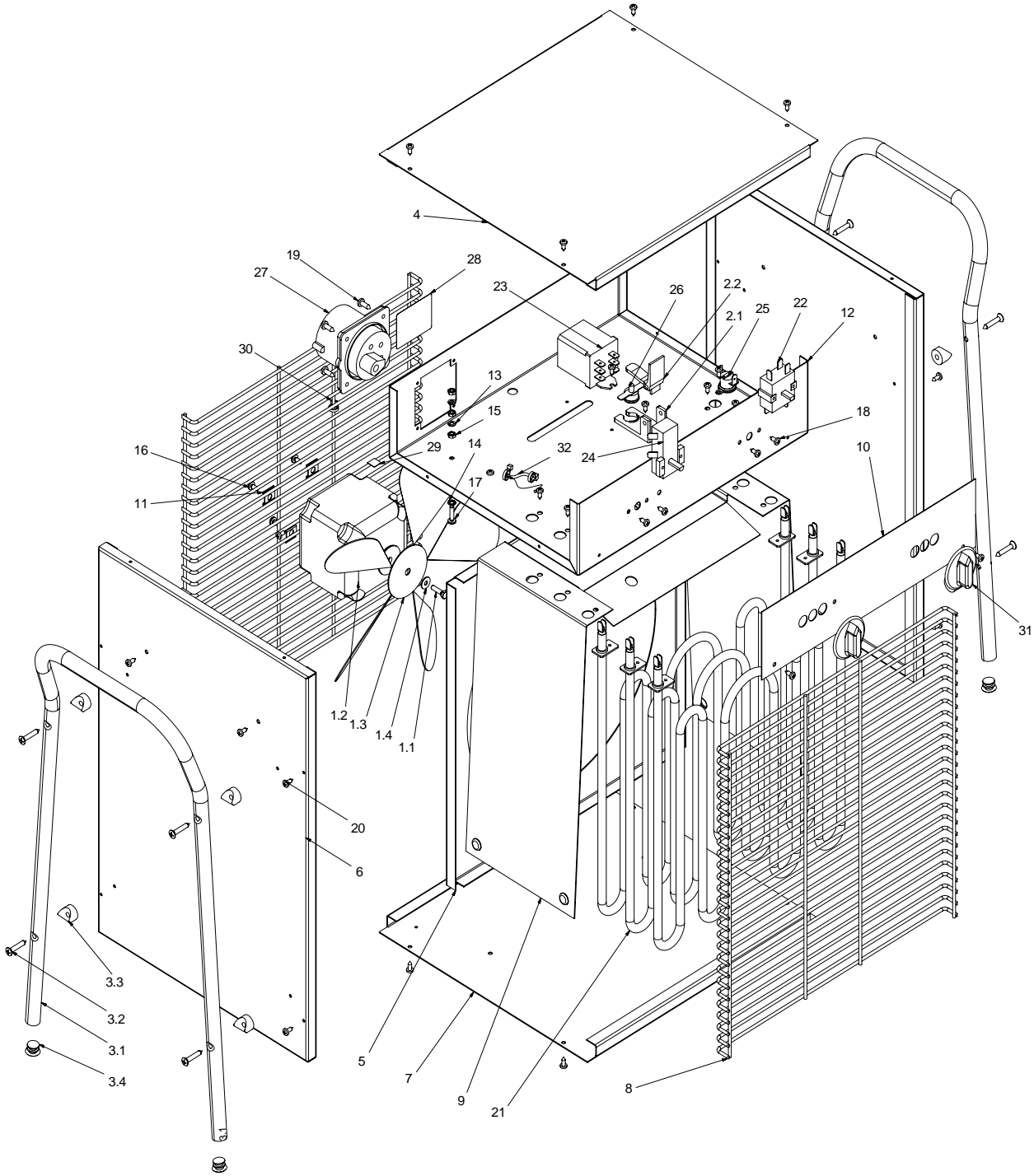
N/A = Parts Not Available



MASTER ELECTRIC HEATERS B 5 EPA R

Pos.	Description	Code NR	Qty.
1.1	BASE FOR RESET LEVER	4510.611	1
1.2	RESET LEVER	4510.612	1
2	OVERHEAT SENSOR	4510.404	1
3.1	MOTOR 12W/230V	4510.306	1
3.2	FAN	4510.317	1
3.3	WASHER 4,3 12mm	4510.812	1
3.4	SCREW M4x16	4510.807	1
4.1	PLASTIC DISTANCE 15mm	4510.603	8
4.2	PIPE CAP 12mm	4510.604	4
4.3	TAP SCREW ST3,9x25	4510.817	8
4.4	PIPE HANDLE	4510.128	2
5	SHELF	4510.236	1
6	SIDE COVER	4510.117	2
7	DOWN COVER	4510.121	1
8	TOP COVER	4510.143	1
9	ROUND COVER	4510.112	1
10	GRILL	4510.138	2
11	HEAT SHIELD	4510.139	1
12	HEATING ELEMENT 1666W	4510.359	3
13	SWITCH	4510.401	1
14	BIMETAL THERMOSTAT	4510.403	1
15	RELAY	4510.402	1
16	TEMP LIMITER	4510.405	1
17	KNOB	4510.610	3
18	ELECTRICAL WIRE SET	4510.741	1
19	BELT	4510.608	3
20	WASHER	4510.140	3
21	TAP SCREW ST3,9x9,5	4510.802	37
22	TAP SCREW ST3,5x9,5	4510.801	4
23	WASHER A4,3	4510.811	7
24	WASHER A4	4510.810	2
25	SCREW M4x8 BLACK	4510.814	3
26	NUT M4	4510.808	3
27	TAP SCREW M4x16	4510.828	1
28	DATA PLATE	N/A	1
29	LABEL GROUND WIRE	N/A	1
30	STRAIN RELIEF BUSHING	4510.605	1
31	POWER CORD	4510.420	1
32	FRONT PANEL	4510.242	1
33	SCREW TERMINAL	4510.421	1

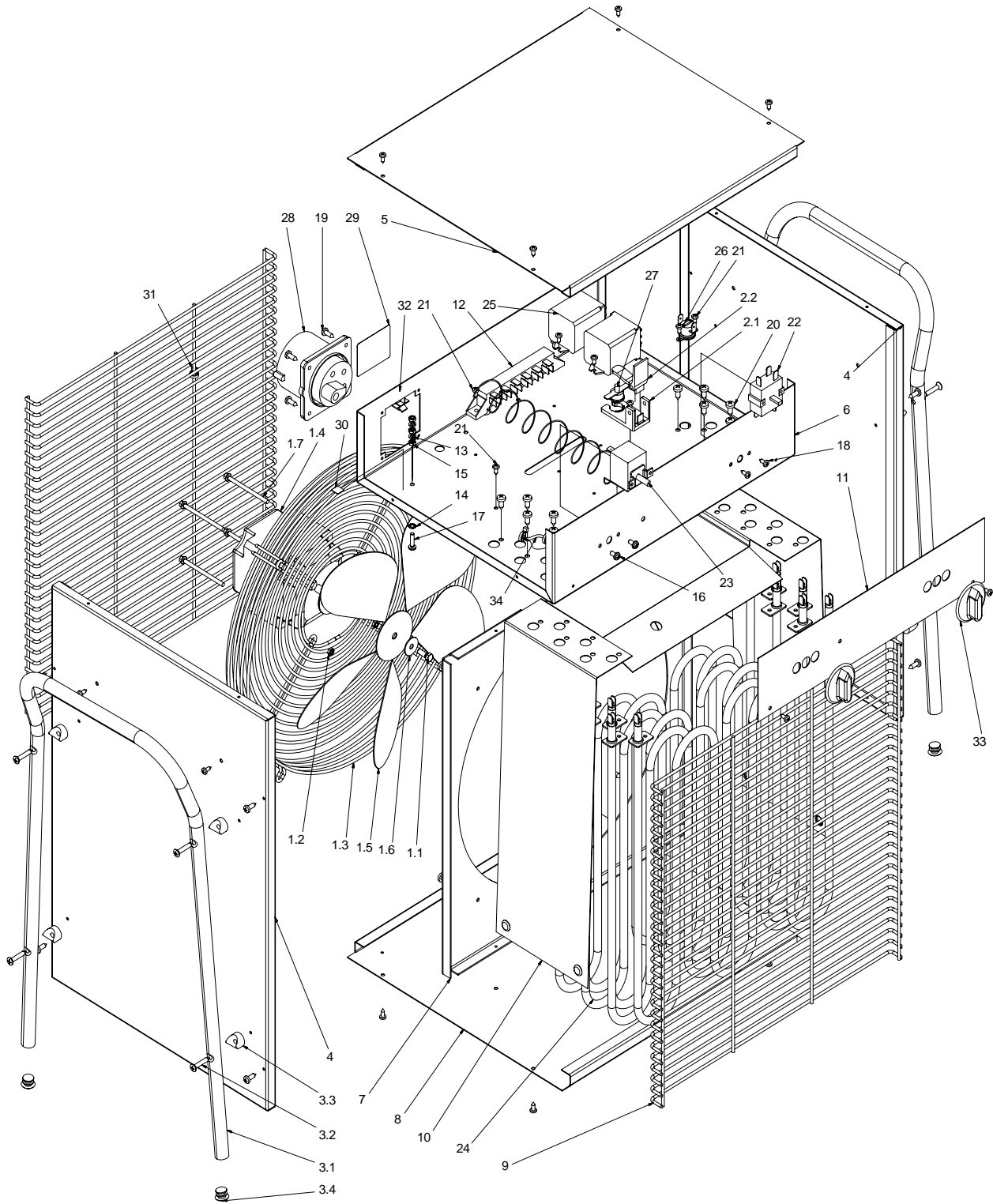
N/A = Parts Not Available



MASTER ELECTRIC HEATERS B 9 EPA 9kW

Pos.	Description	Code NR	Qty.
1.1	SCREW M4x16	4510.807	1
1.2	MOTOR 16W/230V	4510.307	1
1.3	FAN	4510.318	1
1.4	WASHER 4,3 12mm	4510.812	1
2.1	BASE FOR RESET LEVER	4510.611	1
2.2	RESET LEVER	4510.612	1
3.1	PIPE HANDLE	4510.129	2
3.2	TAP SCREW ST3,9x25	4510.817	8
3.3	PLASTIC DISTANCE 15mm	4510.603	8
3.4	PIPE CAP 12mm	4510.604	4
4	TOP COVER	4510.104	1
5	ROUND COVER	4510.114	1
6	SIDE COVER	4510.119	2
7	DOWN COVER	4510.123	1
8	GRILL	4510.125	2
9	HEAT SHIELD	4510.127	1
10	NAME PLATE	4510.137	1
11	WASHER	4510.140	3
12	SHELF	4510.183	1
13	WASHER A4	4510.810	2
14	WASHER A4,3	4510.811	1
15	NUT M4	4510.808	3
16	TAP SCREW M4x8	4510.814	3
17	TAP SCREW M4x16	4510.828	1
18	TAP SCREW ST3,5x9,5	4510.801	4
19	TAP SCREW ST3,9x13	4510.818	4
20	TAP SCREW ST3,9x9,5	4510.802	36
21	HEATING ELEMENT 3000W	4510.360	3
22	SWITCH	4510.401	1
23	RELAY	4510.402	1
24	BIMETAL THERMOSTAT	4510.403	1
25	OVERHEAT SENSOR	4510.404	1
26	TEMP LIMITER	4510.405	1
27	PLUG	4510.406	1
28	DATA PLATE	N/A	1
29	LABEL GROUND WIRE	4510.536	1
30	BELT	4510.608	3
31	KNOB	4510.610	2
32	WIRE 1.5 BLUE 0.08	4510.900	2
32	WIRE 1.5 BROWN 0.12	4510.910	1
32	WIRE 1.5 BROWN 0.13	4510.911	1
32	WIRE 1.5 BLUE 0.16	4510.913	1
32	WIRE 1.5 BROWN 0.20	4510.916	1
32	WIRE 1.5 BROWN 0.20	4510.917	2
32	WIRE 1.5 BLUE 0.08	4510.919	1
32	WIRE 1.5 BROWN 0.24	4510.925	2
32	WIRE 1.5 BLUE 0.30	4510.926	1
32	WIRE 1.5 BROWN 0.38	4510.934	1
32	WIRE 1.5 BROWN 2*0.15	4510.937	1
32	WIRE 2.5 YELLOW 0.10	4510.938	1

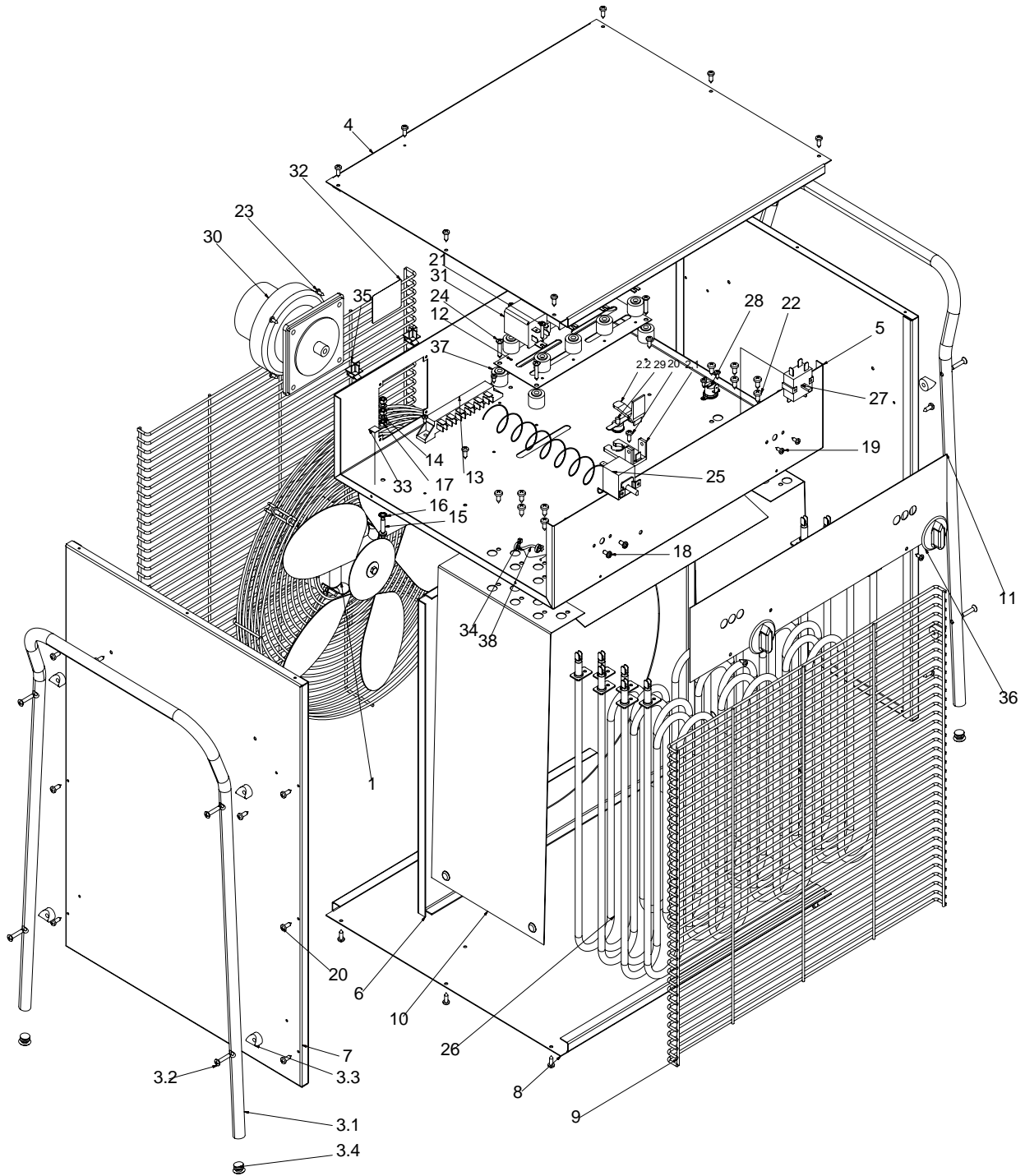
N/A = Parts Not Available



MASTER ELECTRIC HEATERS B 15 EPA 15kW

Pos.	Description	Code NR	Qty.
1.1	SCREW M5x14	4510.825	1
1.2	NUT M4	4510.808	4
1.3	OPEN FAN GUARD	4510.166	1
1.4	MOTOR 25W/230V	4510.304	1
1.5	FAN	4510.314	1
1.6	WASHER 5,3 20mm	4510.824	1
1.7	SCREW M4x60	4510.833	4
2.1	BASE FOR RESET LEVER	4510.611	1
2.2	RESET LEVER	4510.612	1
3.1	PIPE HANDLE	4510.170	2
3.2	TAP SCREW ST3,9x25	4510.817	8
3.3	PLASTIC DISTANCE 15mm	4510.603	8
3.4	PIPE CAP 12mm	4510.604	4
4	SIDE COVER	4510.157	2
5	TOP COVER	4510.145	1
6	SHELF	4510.149	1
7	ROUND COVER	4510.153	1
8	DOWN COVER	4510.161	1
9	GRILL	4510.164	2
10	HEAT SHIELD	4510.168	1
11	NAME PLATE	4510.173	1
12	SCREW TERMINAL	4510.414	1
13	WASHER A4	4510.810	2
14	WASHER A4,3	4510.811	1
15	NUT M4	4510.808	3
16	TAP SCREW M4x8	4510.814	2
17	TAP SCREW M4x16	4510.828	1
18	TAP SCREW ST3,5x9,5	4510.801	2
19	TAP SCREW ST3,9x13	4510.818	12
20	TAP SCREW ST4,8x13	4510.821	16
21	TAP SCREW ST3,9x9,5	4510.802	27
22	SWITCH	4510.401	1
23	CAPILAR THERMOSTAT	4510.416	1
24	HEATING ELEMENT 2500W	4510.355	6
25	RELAY	4510.402	2
26	OVERHEAT SENSOR	4510.404	1
27	TEMP LIMITER	4510.405	1
28	PLUG	4510.418	1
29	DATA PLATE	N/A	1
30	LABEL GROUND WIRE	4510.536	1
31	BELT	4510.608	3
32	CAPILAR SUPPORT	4510.609	2
33	KNOB	4510.610	2
34	WIRE 1.5 BLUE 0.08	4510.900	4
34	WIRE 1.5 BROWN 0.08	4510.901	1
34	WIRE 1.5 BLUE 0.10	4510.902	1
34	WIRE 1.5 BROWN 0.10	4510.903	1
34	WIRE 1.5 BROWN 0.12	4510.906	1
34	WIRE 1.5 BROWN 0.16	4510.912	1
34	WIRE 1.5 BROWN 0.16	4510.914	2
34	WIRE 1.5 BROWN 0.18	4510.915	4
34	WIRE 1.5 BROWN 0.20	4510.916	1
34	WIRE 1.5 BROWN 0.20	4510.917	1
34	WIRE 1.5 BROWN 0.22	4510.920	1
34	WIRE 1.5 BROWN 0.23	4510.923	1
34	WIRE 1.5 BROWN 0.23	4510.924	1
34	WIRE 1.5 BLUE 0.25	4510.929	1
34	WIRE 1.5 BLUE 0.28	4510.930	1
34	WIRE 1.5 BROWN 0.31	4510.931	1
34	WIRE 1.5 BLUE 0.31	4510.932	1
34	WIRE 4 BROWN 0.24	4510.939	3
34	WIRE 4 BLUE 0.24	4510.943	1
34	WIRE 4 YELLOW 0.30	4510.944	1

N/A = Parts Not Available



MASTER ELECTRIC HEATERS B 22 EPA 22kW

Pos.	Description	Code NR	Qty.
1	KIT MOTOR 93W/230V + FAN + OPEN FAN GUARD	4510.305	1
2.1	BASE FOR RESET LEVER	4510.611	1
2.2	RESET LEVER	4510.612	1
3.1	PIPE HANDLE	4510.171	2
3.2	TAP SCREW ST3,9x25	4510.817	8
3.3	PLASTIC DISTANCE 15mm	4510.603	8
3.4	PIPE CAP 12mm	4510.604	4
4	TOP COVER	4510.147	1
5	SHELF	4510.151	1
6	ROUND COVER	4510.155	1
7	SIDE COVER	4510.159	2
8	DOWN COVER	4510.163	1
9	GRILL	4510.165	2
10	HEAT SHIELD	4510.169	1
11	NAME PLATE	4510.175	1
12	SUPPORT PLATE FOR RELAYS	4510.176	1
13	SCREW TERMINAL	4510.414	1
14	WASHER A5	4510.813	2
15	TAP SCREW M5x20	4510.834	1
16	WASHER A5,3	4510.833	1
17	NUT M5	4510.809	3
18	TAP SCREW M4x8	4510.814	2
19	TAP SCREW ST3,5x9,5	4510.801	2
20	TAP SCREW ST3,9x13	4510.818	34
21	TAP SCREW ST3,5x22	4510.827	8
22	TAP SCREW ST4,8x13	4510.832	16
23	TAP SCREW ST3,9x9,5	4510.802	30
24	TAP SCREW ST3,9x25	4510.817	4
25	CAPILAR THERMOSTAT	4510.416	1
26	HEATING ELEMENT 3666W	4510.356	6
27	SWITCH	4510.401	1
28	OVERHEAT SENSOR	4510.404	1
29	TEMP LIMITER	4510.405	1
30	PLUG	4510.412	1
31	RELAY	4510.417	4
32	DATA PLATE	N/A	1
33	LABEL GROUND WIRE	4510.536	1
34	BELT	4510.608	2
35	CAPILAR SUPPORT	4510.609	2
36	KNOB	4510.610	2
37	DISTANS	4510.613	12
38	WIRE 1.5 BROWN 0.11	4510.904	1
38	WIRE 1.5 BLUE 0.11	4510.905	1
38	WIRE 1.5 BLUE 0.12	4510.907	2
38	WIRE 1.5 BLUE 0.12	4510.908	2
38	WIRE 1.5 BROWN 0.12	4510.909	3
38	WIRE 1.5 BROWN 0.12	4510.910	1
38	WIRE 1.5 BROWN 0.16	4510.914	1
38	WIRE 6 YELLOW 0.33	4510.921	1
38	WIRE 1.5 BROWN 0.33	4510.933	2
38	WIRE 1.5 BLUE 0.39	4510.935	1
38	WIRE 1.5 BLUE 0.40	4510.936	1
38	WIRE 4 BROWN 0.32	4510.940	6
38	WIRE 4 BROWN 0.42	4510.941	4
38	WIRE 4 BLUE.0.10	4510.942	4
38	WIRE 6 BLUE.0.20	4510.945	1
38	WIRE 6 BROWN 0.20	4510.946	3

N/A = Parts Not Available