



MASTER®



Searching method in this catalogue:

- Find correct exploded view of the heater for which you need parts.
- Find key number, part number and description on side page of each exploded view.
- Order parts with Desa code number.

Master parts can be found and ordered by authorized dealers on the Desa Europe.

Visit our websites:

We reserve the right to amend these specifications at any time without notice.

Desa Poland Sp. z o.o.

ul. Rolna 8, Sady
62-080 Tarnowo Podgórne
Polska

Desa Italia s.r.l.

Via Tione, 12
37010 Pastrengo
Verona – Italia

Desa UK Ltd.

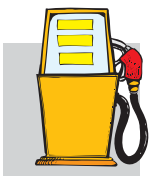
11 Beech House
Padgate Business Park
Green Lane
Warrington WA1 4JN
United Kingdom

Desa Europe BV

Stationspark 700
3364 DA Sliedrecht
The Netherlands

Heaters Index

MASTER®



Diesel oil



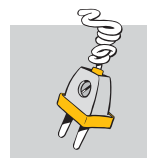
Kerosene



Propane / Butane



Natural gas



Electric

HEATERS INDEX

Low pressure oil heaters

B 35 CED	6
B 35 CEL	14
B 70 CED	8
B 70 CEL	16
B 100 CED	10
B 100 CEL	18
B 150 CED	12
B 150 CEL	20

High pressure oil heaters

B 220 CEE	26
B 225 CEE	42
B 230	58
B 354 CEE	34
B 355 CEE	50
B 360	62

Indirect oil heaters

BV 70 E	68
BV 80 E	70
BV 100 / 160 / 280 E	72
BV 110	76
BV 170	80
BV 290	84

Suspended direct / indirect heaters

BS 360	90
BVS 170	94
BVS 290	98
GREEN 70	102
GREEN 115	102
GREEN 200	106

High output indirect heaters

BV 300 E	112
BV 360 E	112
BV 460 E	116
BV 680 E	120

Cabinet heaters

BF 30 E	126
BF 60 E	126
BG 100	128
BG 150	128
BG 200	128

Infrared oil heaters

XL9 E / S	136
-----------	-----

Gas heaters

10 kW	148
BLP 15 M	150
BLP 30 M Plastic Base	152
BLP 30 M Dual Voltage	158
BLP 30 E Plastic Base	154
BLP 30 E Plastic base 2005 Edition	156
BLP 50 M	160
BLP 50 M Dual Voltage	164
BLP 50 E	162
BLP 50 E 2005 Edition	170
BLP 70 M	166
BLP 70 M Dual Voltage	172
BLP 70 E	168
BLP 70 E 2005 Edition	170
BLP 100 E	174

Infrared electric heaters

TS 3 A	178
HALL 1500	180
HALL 3000	182
HALL 3000 C	184

Electric fan heaters

B 2 EPA	188
B 2 IT	204
B 3 EPA	190
B 3 IT	206
B 3.3 EPA	192
B 5 EPA	194
B 5 EPA R	196
B 5 IT	208
B 9 EPA	198
B 9 IT	210
B 15 EPA	200
B 15 IT	212
B 22 EPA	202
B 22 IT	214

Dehumidifiers

DH 25	218
DH 40	218
DH 55	218
DH 80	218

Accessories

Burner Minor 4	224
Burner Minor 8	224
Burner Minor 12	224
Burner Minor 20 TC	226
Burner Minor 20 TL	226

Direct oil / kerosene low pressure heaters



Heater capacity: 10 / 20 / 29 / 44 kW

Models

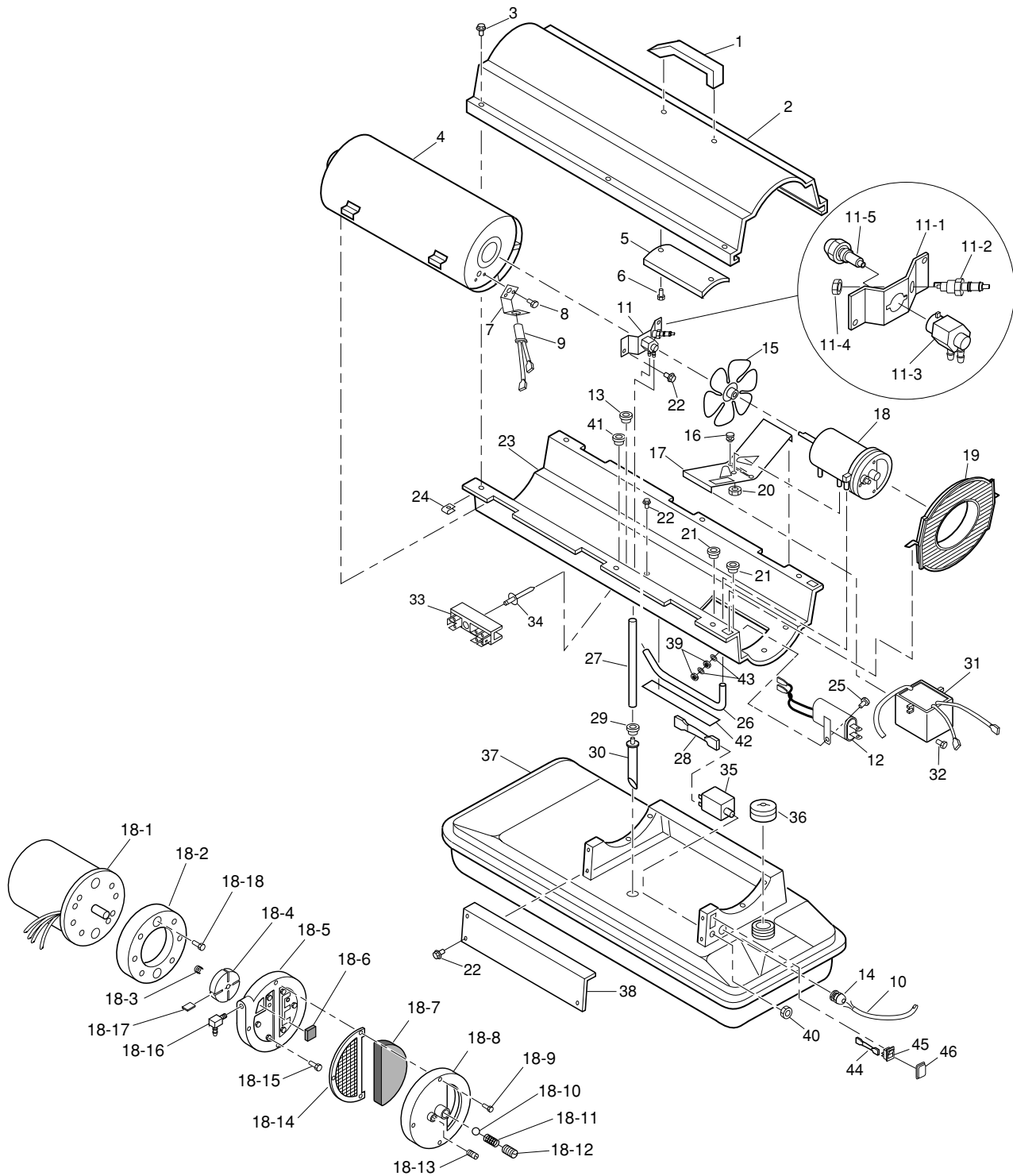
35 CED / 70 CED / 100 CED / 150 CED

35 CEL / 70 CEL / 100 CEL / 150 CEL

MASTER DIRECT OIL HEATERS

MODEL 35 CED 10 kW Model

ILLUSTRATED PARTS BREAKDOWN



Motor and Pump Assembly

MASTER DIRECT OIL HEATERS

MODEL 35 CED 10 kW

PARTS LIST

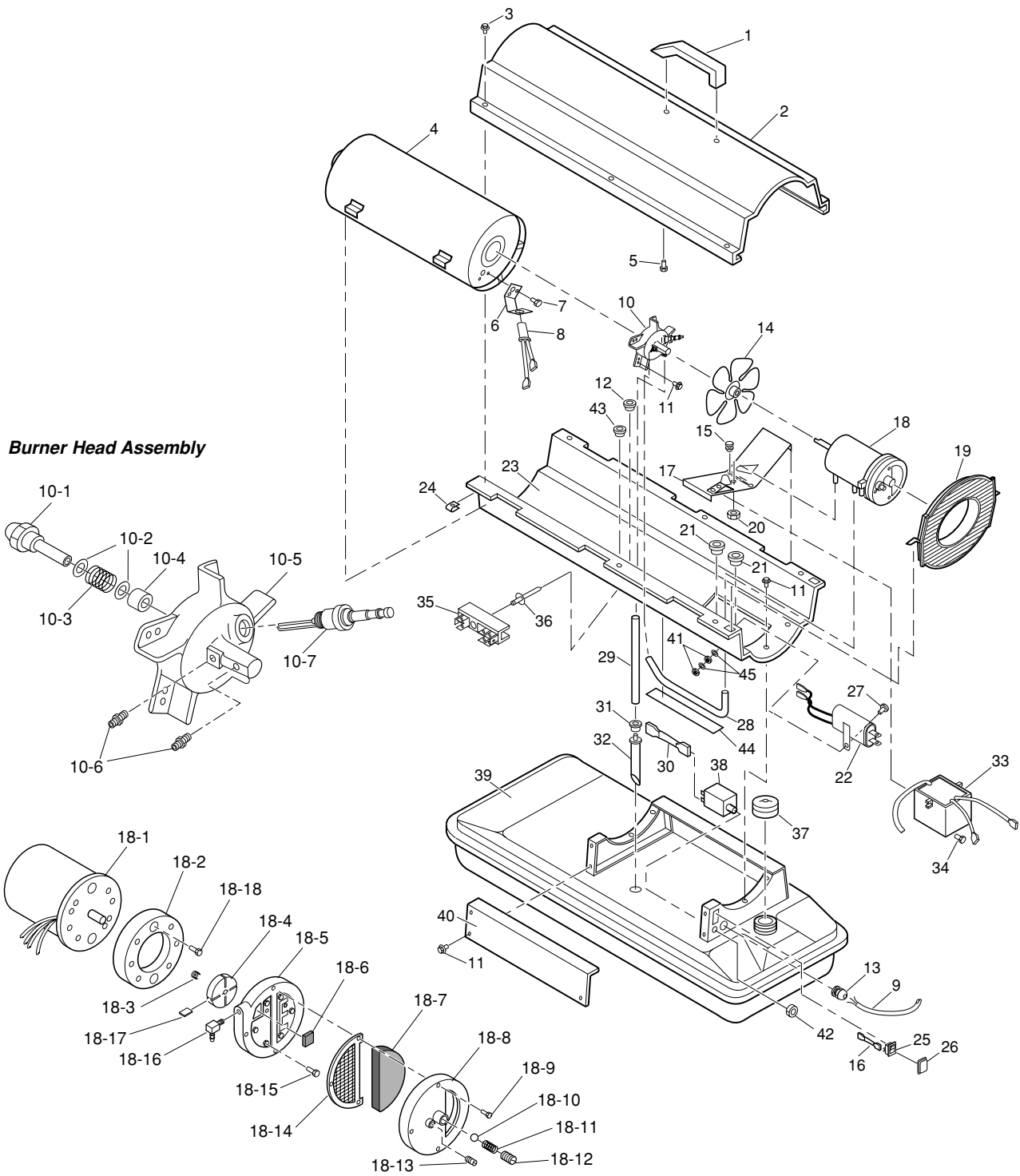
Key No.	Part Number	Description	Qty.	Key No.	Part Number	Description	Qty.
1	4110.130	Handle	1	18-17	4101.666	Blade	4
2	4110.535	Upper Shell	1	18-18	4108.590	Screw, #10-32 x 3/4"	2
3	4109.590	Screw/Lockwasher, 1/2"	6	19	4103.685	Fan Guard	1
4	4110.115	Combustion Chamber	1	20	4108.486	Hex locknut	2
5	4100.671	Heat Shield	1	21	4101.152	Bushing (wires)	2
6	4160.602	Screw, #10-16 x 3/4"	2	22	4110.124	Screw/Lockwasher, 1/2"	11
7	4100.658	Photocell Bracket	1	23	4110.122	Lower Shell	1
8	4103.529	Screw, #6-32 x 3/8"	2	24	4104.170	Clip Nut	6
9	4110.564	Photocell Assembly	1	25	4110.133	Screw, #10-32 x 3/4"	1
10	4110.563	Power Cord	1	26	4104.147	Rubber Airline	1
11	**	Burner Strap Assembly	1	27	4109.567	Fuel Line	1
11-1	4110.092	Bracket	1	28	4110.195	Wire Assembly (red)	1
11-2	4109.526	Spark Plug	1	29	4100.541	Rubber Bushing	1
11-3	4100.664	Nozzle Adapter	1	30	4110.135	Fuel Filter Assembly	1
11-4	4109.518	Nut, 14mm	1	31	4110.609	Electronic Ignitor	1
11-5	4100.648	Nozzle	1	32	4108.510	Screw, #10-16 x 3/4"	2
12	4105.287	Power Line RFI Filter	1	33	4106.110	Terminal Board	1
13	4101.151	Bushing	1	34	4110.571	Rivet	1
14	4150.528	Strain Relief Bushing	1	35	4104.196	Flame-Out Control	1
15	4100.662	Fan	1	36	4103.891	Fuel Tank Cap	1
16	4150.553	Rubber Bumper	2	37	4110.136	Fuel Tank	1
17	4110.187	Motor Bracket	1	38	4104.175	Side Cover	1
18	**	Motor and Pump Assembly	1	39	4110.134	Nut, #10-32	3
18-1	4110.042	Motor (230V/50Hz)	1	40	4109.592	Hex Nut	1
18-2	4101.532	Pump Body	1	41	4101.151	Bushing	1
18-3	4108.635	Insert	1	42	4110.075	Vinyl Foam Gasket	1
18-4	4103.441	Rotor	1	43	4160.613	Lock Washer, #10	2
18-5	4109.724	End Pump Cover	1	44	4110.165	Wire Assembly (black)	2
18-6	4109.716	Lint Filter	1	45	4106.179	ON/OFF Switch	1
18-7	4109.690	Intake Filter	1	46	4104.336	Switch Cover	1
18-8	4109.674	End Cover	1	PARTS AVAILABLE - NOT SHOWN			
18-9	4108.528	Screw, #10-32 x 1"	3				
18-10	4108.379	Steel Ball (1/4" Dia.)	1		4105.292	Filler Neck Screen	1
18-11	4102.141	Pressure Relief Spring	1				
18-12	4102.133	Adjusting Screw	1				
18-13	4102.125	Plug	1				
18-14	4109.708	Output Filter	1				
18-15	4108.536	Screw, #10-32 x 1 1/8"	6				
18-16	4100.661	Elbow, 90° (Barb Fitting)	1				

** Parts not available as an assembly, order parts separately.

MASTER DIRECT OIL HEATERS

MODEL 70 CED 20 kW Model

ILLUSTRATED PARTS BREAKDOWN



Motor and Pump Assembly

MASTER DIRECT OIL HEATERS

MODEL 70 CED 20 kW

PARTS LIST

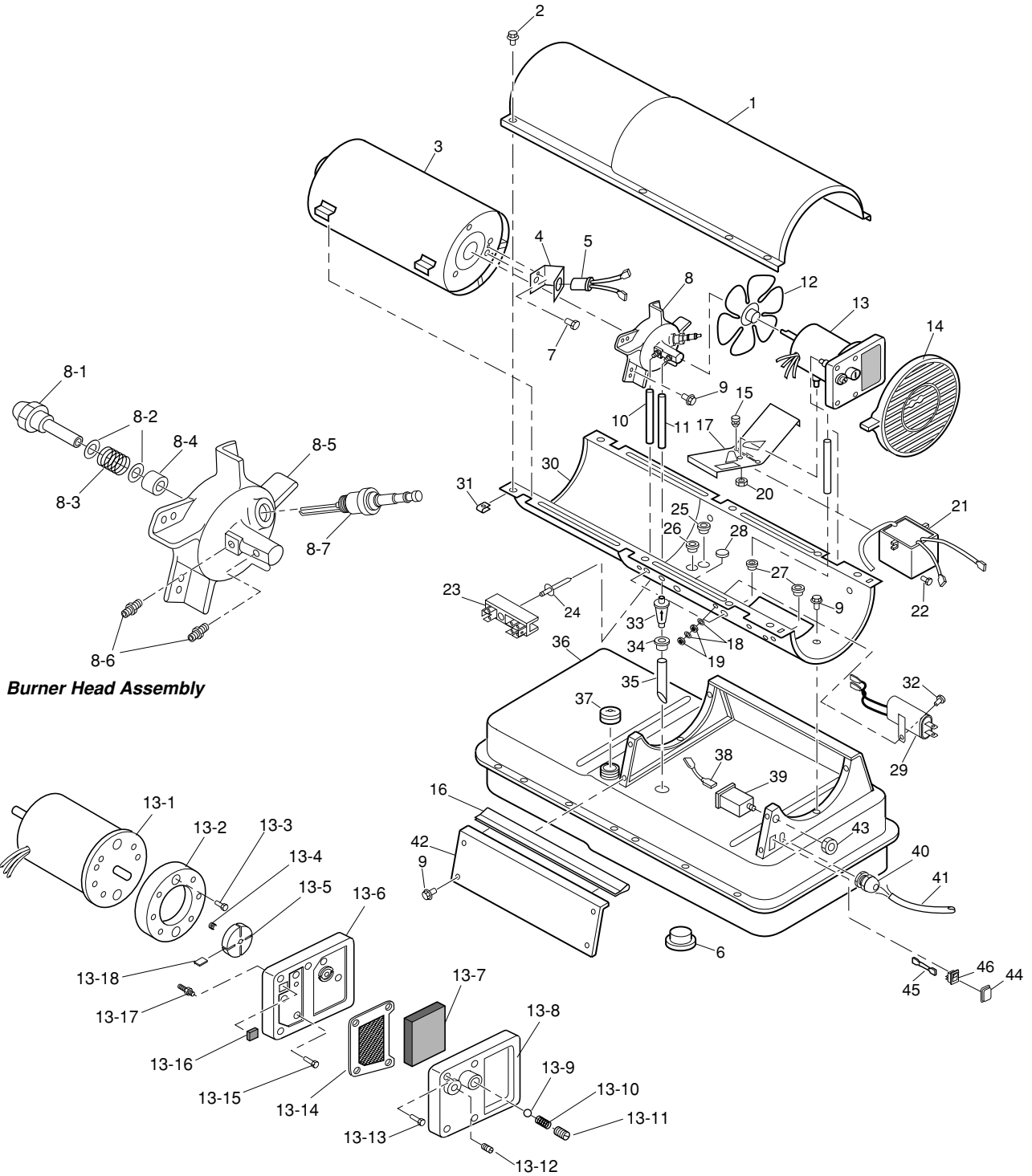
Key No.	Part Number	Description	Qty.	Key No.	Part Number	Description	Qty.		
1	4110.130	Handle	1	18-16	4101.156	Elbow, 90° (Barb Fitting)	1		
2	4110.535	Upper Shell	1	18-17	4101.200	Blade	4		
3	4109.590	Screw/Lockwasher, 1/2"	6	18-18	4108.588	Screw, #10-32 x 5/8"	2		
4	4104.090	Combustion Chamber	1	19	4103.685	Fan Guard	1		
5	4160.602	Screw, #10-16 x 3/4"	2	20	4108.486	Hex locknut	2		
6	4100.658	Photocell Bracket	1	21	4101.152	Bushing (wires)	2		
7	4103.529	Screw, #6-32 x 3/8"	2	22	4105.287	Power Line RFI Filter	1		
8	4110.564	Photocell Assembly	1	23	4110.535	Lower Shell	1		
9	4110.563	Power Cord	1	24	4104.170	Clip Nut	6		
10	**	Burner Head Assembly	1	25	4106.179	ON/OFF Switch	1		
10-1	4103.486	Nozzle	1	26	4104.336	Switch Cover	1		
10-2	4100.525	Nozzle Seal Washer	2	27	4110.133	Screw, #10-32 x 3/4"	1		
10-3	4100.533	Nozzle Seal Spring	1	28	4109.633	Rubber Airline	1		
10-4	4101.622	Nozzle Seal Sleeve	1	29	4109.567	Fuel Line	1		
10-5	4109.351	Burner Head Body	1	30	4110.195	Wire Assembly (red)	1		
10-6	4106.071	Barb Fitting	2	31	4100.541	Rubber Bushing	1		
10-7	4101.846	Spark Plug	1	32	4103.875	Fuel Filter Assembly	1		
11	4110.124	Screw/Lockwasher, 1/2"	12	33	4110.609	Electronic Ignitor	1		
12	4101.151	Bushing	1	34	4108.510	Screw, #10-16 x 3/4"	2		
13	4150.528	Strain Relief Bushing	1	35	4106.110	Terminal Board	1		
14	4100.662	Fan	1	36	4110.571	Rivet	1		
15	4150.553	Rubber Bumper	2	37	4103.891	Fuel Tank Cap	1		
16	4110.165	Wire Assembly (black)	2	38	4104.196	Flame-Out Control	1		
17	4110.187	Motor Bracket	1	39	4110.140	Fuel Tank	1		
18	**	Motor and Pump Assembly	1	40	4110.560	Side Cover	1		
18-1	4110.079	Motor with capacitor	1	41	4110.134	Nut, #10-32	3		
18-2	4101.317	Pump Body	1	42	4109.592	Hex Nut	1		
18-3	4108.635	Insert	1	43	4101.151	Bushing	1		
18-4	4108.627	Rotor	1	44	4110.075	Vinyl Foam Gasket	1		
18-5	4109.724	End Pump Cover	1	45	4160.613	Lock Washer, #10	2		
18-6	4109.716	Lint Filter	1	PARTS AVAILABLE - NOT SHOWN					
18-7	4109.690	Intake Filter	1						
18-8	4109.674	End Cover	1				4105.292	Filler Neck Screen	1
18-9	4108.528	crew, #10-32 x 1"	3						
18-10	4108.379	Steel Ball (1/4" Dia.)	1						
18-11	4102.141	Pressure Relief Spring	1						
18-12	4102.133	Adjusting Screw	1						
18-13	4102.125	Plug	1						
18-14	4109.708	Output Filter	1						
18-15	4108.528	Screw, #10-32 x 1"	6						

** Parts not available as an assembly, order parts separately.

MASTER DIRECT OIL HEATERS

MODEL 100 CED 29 kW Model

ILLUSTRATED PARTS BREAKDOWN



Burner Head Assembly

Motor and Pump Assembly

MASTER DIRECT OIL HEATERS

MODEL 100 CED 29 kW

PARTS LIST

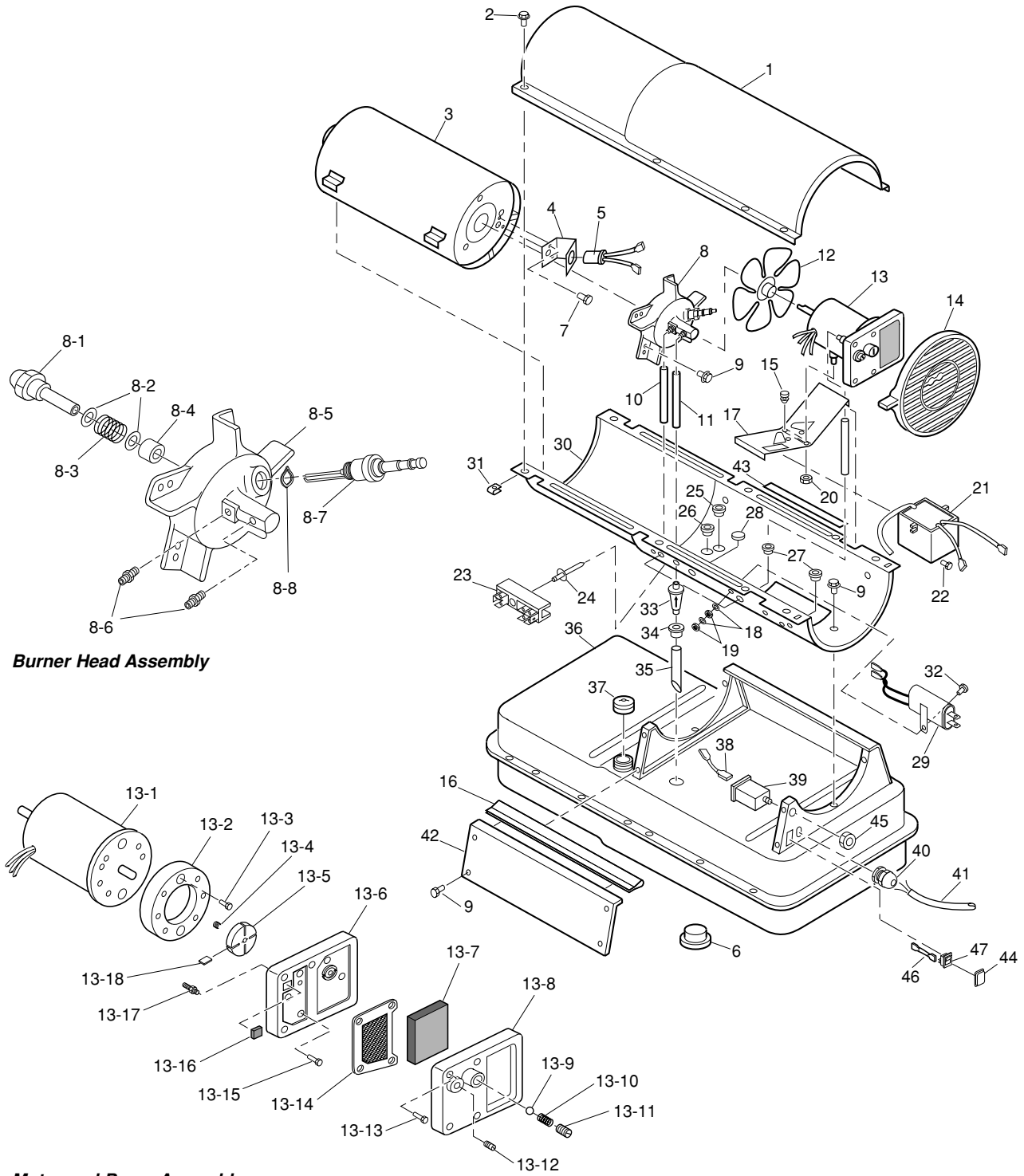
Key No.	Part Number	Description	Qty.	Key No.	Part Number	Description	Qty.
1	4104.006	Upper Shell	1	16	4103.850	Edge Liner	1
2	4109.590	Screw/Lockwasher, 1/2"	8	17	4110.186	Motor Bracket	1
3	4101.180	Combustion Chamber	1	18	4160.613	Lock Washer, #10	2
4	4100.658	Photocell Bracket	1	19	4110.134	Nut, #10-32	3
5	4110.564	Photocell Assembly	1	20	4108.486	Hex locknut	2
6	4100.632	Drain Plug	1	21	4110.609	Electronic Ignitor	1
7	4103.529	Screw, #6-32 x 3/8"	2	22	4108.510	Screw, #10-16 x 3/4"	2
8	**	Burner Head Assembly	1	23	4106.110	Terminal Board	1
8-1	4103.559	Nozzle	1	24	4110.571	Rivet	1
8-2	4100.525	Nozzle Seal Washer	2	25	4101.112	Bushing	1
8-3	4100.533	Nozzle Seal Spring	1	26	4101.112	Bushing	1
8-4	4101.622	Nozzle Seal Sleeve	1	27	4160.646	Bushing	2
8-5	4109.352	Burner Head Body	1	28	4110.070	Button Plug	1
8-6	4104.118	Barb Fitting	2	29	4105.287	Power Line RFI Filter	1
8-7	4101.846	Spark Plug	1	30	4110.566	Lower Shell	1
9	4110.124	Screw/Lockwasher, 1/2"	13	31	4104.170	Clip Nut	8
10	4104.147	Air Line	1	32	4110.133	Screw, #10-32 x 3/4"	1
11	4110.032	Fuel Line	1	33	4100.630	Fuel filter	1
12	4105.062	Fan	1	34	4100.541	Rubber Bushing	1
13	**	Motor and Pump Assembly	1	35	4110.147	Fuel Line	1
13-1	4110.080	Motor with capacitor	1	36	4110.149	Fuel Tank	1
13-2	4101.317	Pump Body	1	37	4103.891	Fuel Tank Cap	1
13-3	4108.588	Screw, #10-32 x 5/8"	2	38	4110.195	Wire Assembly (red)	1
13-4	4108.635	Insert	1	39	4104.196	Flame-Out Control	1
13-5	4108.627	Rotor	1	40	4150.528	Strain Relief Bushing	1
13-6	4101.325	End Pump Cover	1	41	4110.563	Power Cord	1
13-7	4101.358	Intake Filter	1	42	4110.062	Side Cover	1
13-8	4108.643	End Cover	1	43	4109.592	Hex Nut	1
13-9	4108.379	Steel Ball (1/4" Dia.)	1	44	4104.336	Switch Cover	1
13-10	4102.141	Pressure Relief Spring	1	45	4110.164	Wire Assembly (black)	2
13-11	4102.133	Adjusting Screw	1	46	4106.179	ON/OFF Switch	1
13-12	4102.125	Plug	1				
13-13	4108.528	Screw, #10-32 x 1"	4				
13-14	4101.341	Output Filter	1				
13-15	4108.528	Screw, #10-32 x 1"	6				
13-16	4101.333	Lint Filter	1				
13-17	4104.118	Barb Fitting	1				
13-18	4101.200	Blade	4				
14	4103.695	Fan Guard	1				
15	4150.553	Rubber Bumper	2				
				PARTS AVAILABLE - NOT SHOWN			
					4105.292	Filler Neck Screen	1

** Parts not available as an assembly, order parts separately.

MASTER DIRECT OIL HEATERS

MODEL 150 CED 44 kW Model

ILLUSTRATED PARTS BREAKDOWN



Burner Head Assembly

Motor and Pump Assembly

MASTER DIRECT OIL HEATERS

MODEL 150 CED 44 kW

PARTS LIST

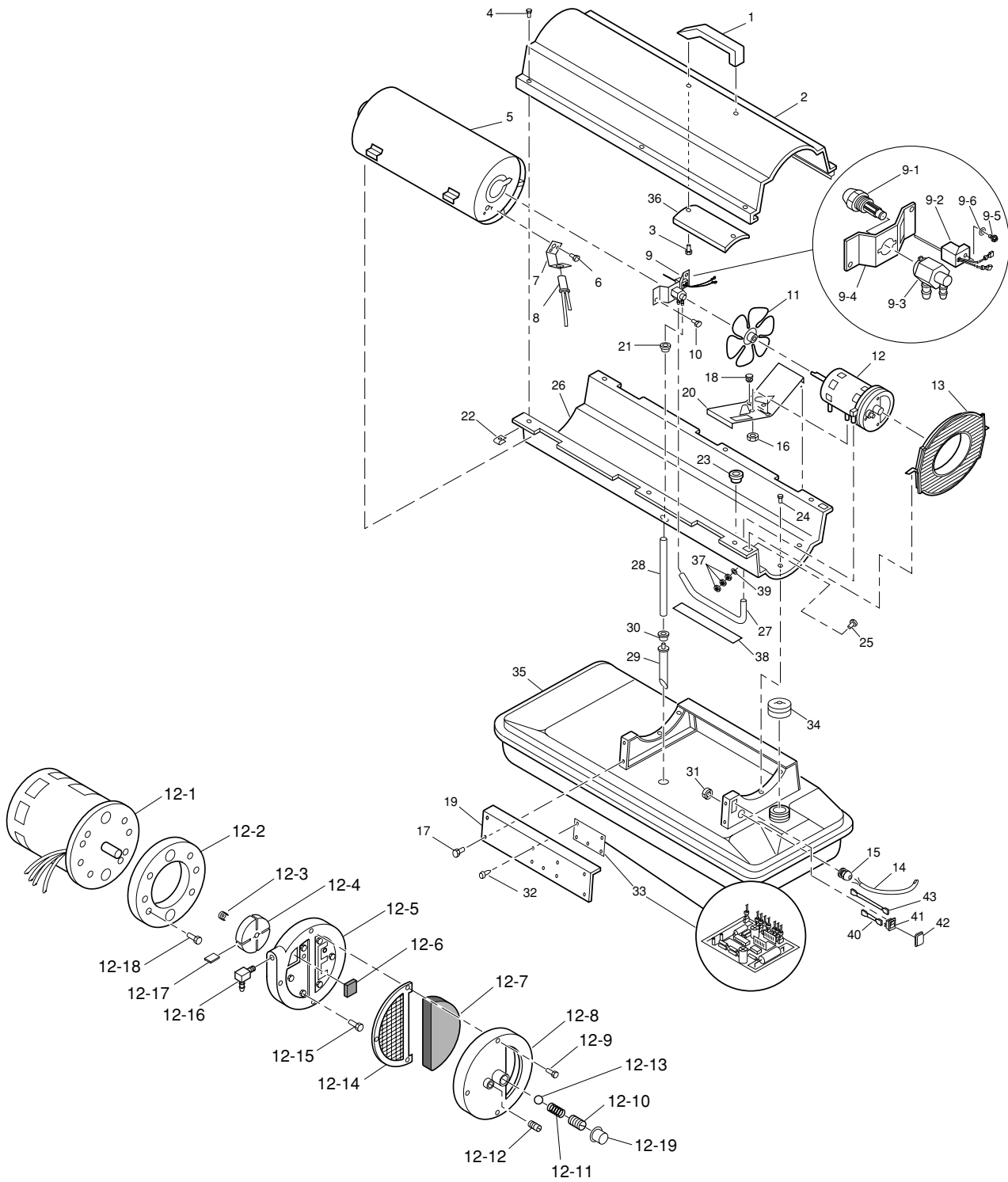
Key No.	Part Number	Description	Qty.	Key No.	Part Number	Description	Qty.
1	4104.006	Upper Shell	1	15	4150.553	Rubber Bumper	2
2	4109.590	Screw/Lockwasher, 1/2"	8	16	4103.850	Edge Liner	1
3	4110.595	Combustion Chamber	1	17	4110.186	Motor Bracket	1
4	4100.659	Photocell Bracket	1	18	4160.613	Lock Washer, #10	2
5	4110.564	Photocell Assembly	1	19	4110.134	Nut, #10-32	3
6	4100.632	Drain Plug	1	20	4108.486	Hex locknut	2
7	4103.529	Screw, #6-32 x 3/8"	2	21	4110.609	Electronic Ignitor	1
8	**	Burner Head Assembly	1	22	4108.510	Screw, #10-16 x 3/4"	2
8-1	4103.898	Nozzle	1	23	4106.110	Terminal Board	1
8-2	4100.525	Nozzle Seal Washer	2	24	4110.571	Rivet	1
8-3	4100.533	Nozzle Seal Spring	1	25	4101.112	Bushing	1
8-4	4101.622	Nozzle Seal Sleeve	1	26	4101.112	Bushing	1
8-5	4105.187	Burner Head Body	1	27	4160.646	Bushing	2
8-6	4104.118	Barb Fitting	2	28	4110.070	Button Plug	1
8-7	4101.846	Spark Plug	1	29	4105.287	Power Line RFI Filter	1
8-8	4100.526	Wave Spring Washer	1	30	4110.566	Lower Shell	1
9	4110.124	Screw/Lockwasher, 1/2"	13	31	4104.170	Clip Nut	8
10	4104.156	Air Line	1	32	4110.133	Screw, #10-32 x 3/4"	1
11	4110.032	Fuel Line	1	33	4100.630	Fuel filter	1
12	4105.062	Fan	1	34	4100.541	Rubber Bushing	1
13	**	Motor and Pump Assembly	1	35	4110.147	Fuel Line	1
13-1	4110.080	Motor with capacitor	1	36	4110.149	Fuel Tank	1
13-2	4101.532	Pump Body	1	37	4103.891	Fuel Tank Cap	1
13-3	4108.590	Screw, #10-32 x 3/4"	2	38	4110.195	Wire Assembly (red)	1
13-4	4108.635	Insert	1	39	4104.196	Flame-Out Control	1
13-5	4103.441	Rotor	1	40	4150.528	Strain Relief Bushing	1
13-6	4101.325	End Pump Cover	1	41	4110.563	Power Cord	1
13-7	4101.358	Intake Filter	1	42	4110.062	Side Cover	1
13-8	4108.643	End Cover	1	43	4110.041	Vinyl Foam Gasket	2
13-9	4108.379	Steel Ball (1/4" Dia.)	1	44	4104.336	Switch Cover	1
13-10	4102.141	Pressure Relief Spring	1	45	4109.592	Hex Nut	1
13-11	4102.133	Adjusting Screw	1	46	4110.164	Wire Assembly	2
13-12	4102.125	Plug	1	47	4106.179	ON/OFF Switch	1
13-13	4108.528	Screw, #10-32 x 1"	4	PARTS AVAILABLE - NOT SHOWN			
13-14	4101.341	Output Filter	1				
13-15	4108.536	Screw, #10-32 x 1 1/8"	6	4105.292	Filler Neck Screen	1	
13-16	4101.333	Lint Filter	1				
13-17	4104.118	Barb Fitting	1				
13-18	4101.666	Blade	4				
14	4103.695	Fan Guard	1				

** Parts not available as an assembly, order parts separately.

MASTER DIRECT OIL HEATERS

MODEL 35 CEL10 kW Model

ILLUSTRATED PARTS BREAKDOWN



Motor and Pump Assembly

MASTER DIRECT OIL HEATERS

MODEL 35 CEL 10 kW

PARTS LIST

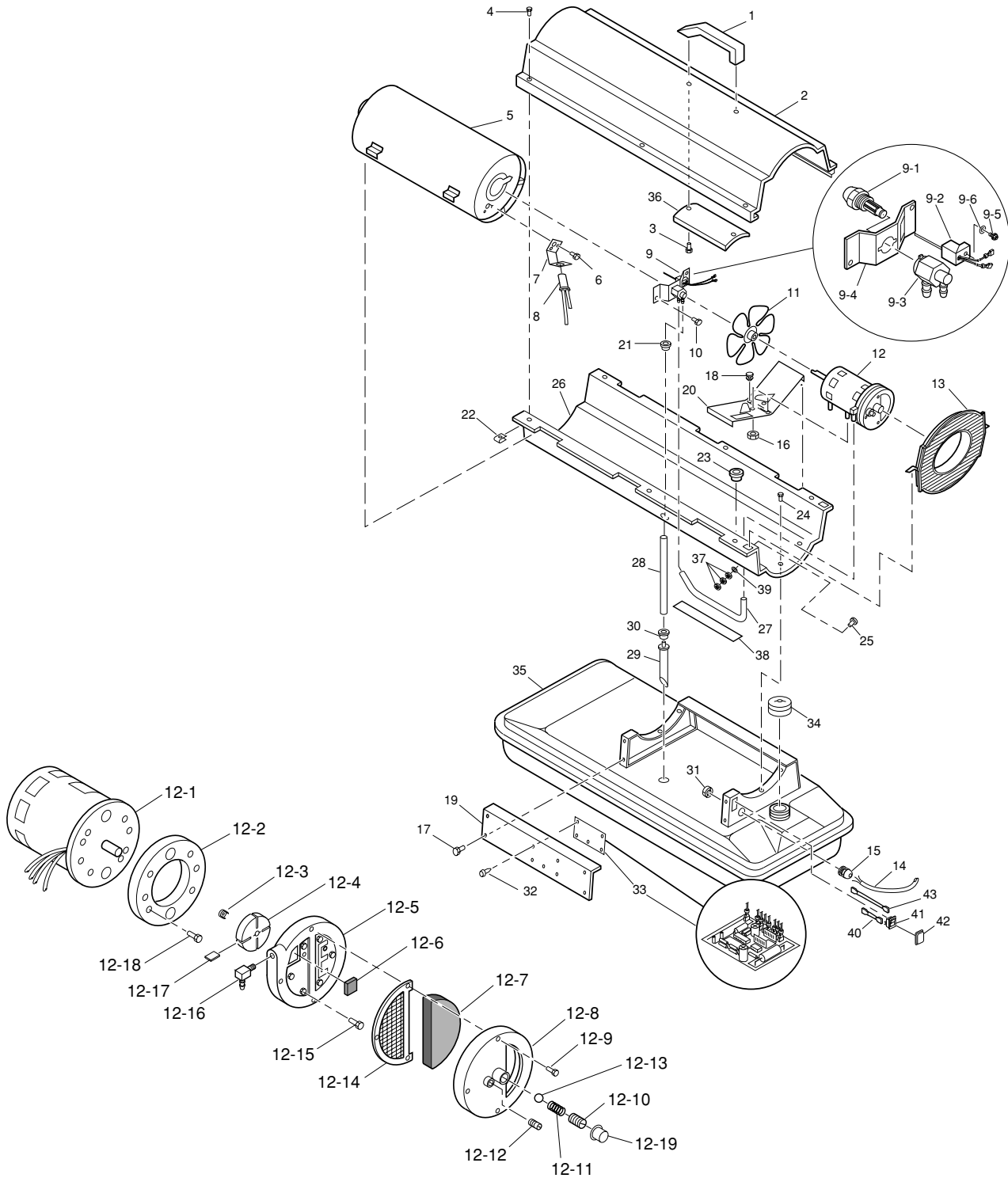
Key No.	Part Number	Description	Qty.	Key No.	Part Number	Description	Qty.
1	4160.715	Handle	1	16	4108.486	Hex Lock Nut, 1/4-20	2
2	4110.064	Upper Shell	1	17	4110.124	Screw/Lockwasher, 1/2"	4
3	4160.602	Screw	2	18	4150.553	Rubber Bumper	2
4	4109.590	Screw/Lockwasher	6	19	4100.635	Side Cover	1
5	4110.050	Combustion Chamber	1	20	4110.187	Motor Bracket	1
6	4103.529	Screw, #6-32 x 3/8"	2	21	4101.151	Bushing	1
7	4100.657	Photocell Bracket	1	22	4104.170	Clip Nut	6
8	4103.590	Photocell Assembly	1	23	4101.152	Bushing	1
9	**	Burner Strap Assembly	1	24	4110.124	Screw/Lockwasher, 1/2"	6
9-1	4100.648	Nozzle Assembly	1	25	4110.133	Screw	1
9-2	4110.132	Ignitor	1	26	4100.636	Lower Shell	1
9-3	4100.664	Nozzle Adapter	1	27	4104.147	Rubber Airline	1
9-4	4100.653	Nozzle Adapter Bracket	1	28	4109.567	Fuel Line	1
9-5	4100.669	Screw, #6-32 x 7/8"	1	29	4110.135	Fuel Filter	1
9-6	4100.660	Belleville Washer	1	30	4100.541	Rubber Bushing	1
10	4110.124	Screw/Lockwasherr	2	31	4100.656	Nylon Locknut	1
11	4100.662	Fan	1	32	4100.654	PCB Support	5
12	**	Motor and Pump Assembly	1	33	4110.142	PC Board	1
12-1	4110.042	Motor	1	34	4103.891	Fuel Cap (Includes Gasket)	1
12-2	4101.532	Pump Body	1	35	4110.136	Fuel Tank	1
12-3	4108.635	Insert	1	36	4100.671	Shell Heat-Shield	1
12-4	4103.441	Rotor	1	37	4110.134	Nut	3
12-5	4109.724	Pump End Cover	1	38	4110.075	Vinyl Foam Gasket	1
12-6	4109.716	Lint Filter	1	39	4160.613	Lockwasher	1
12-7	4109.690	Intake Filter	1	40	4110.036	Wire Assembly (Brown)	1
12-8	4109.674	End Cover	1	41	4100.667	ON/OFF Switch	1
12-9	4108.528	Screw, #10-32 x 1"	3	42	4104.336	Switch Cover	1
12-10	4102.133	Adjusting Screw	1	43	4110.037	Wire Assembly (White)	1
12-11	4102.141	Pressure Relief Spring	1	PARTS AVAILABLE - NOT SHOWN			
12-12	4102.125	Plug	1				
12-13	4108.379	Steel Ball, 1/4" Diameter	1		4105.292	Filler Neck Screen	1
12-14	4109.708	Output Filter	1		4161.829	PC Board Fuse	1
12-15	4108.536	Screw #10-32 x 1 1/8"	6				
12-16	4100.661	Nylon Elbow, 90	1				
12-17	4101.666	Blade	4				
12-18	4108.590	Screw, #10-32 x 3/4"	2				
12-19	4100.666	Plastic Cap	1				
13	4103.685	Fan Guard	1				
14	4110.038	Power Cord	1				
15	4150.528	Strain Relief Bushing	1				

** Parts not available as an assembly, order parts separately.

MASTER DIRECT OIL HEATERS

MODEL 70 CEL 20 kW Model

ILLUSTRATED PARTS BREAKDOWN



Motor and Pump Assembly

MASTER DIRECT OIL HEATERS

MODEL 70 CEL 20 kW

PARTS LIST

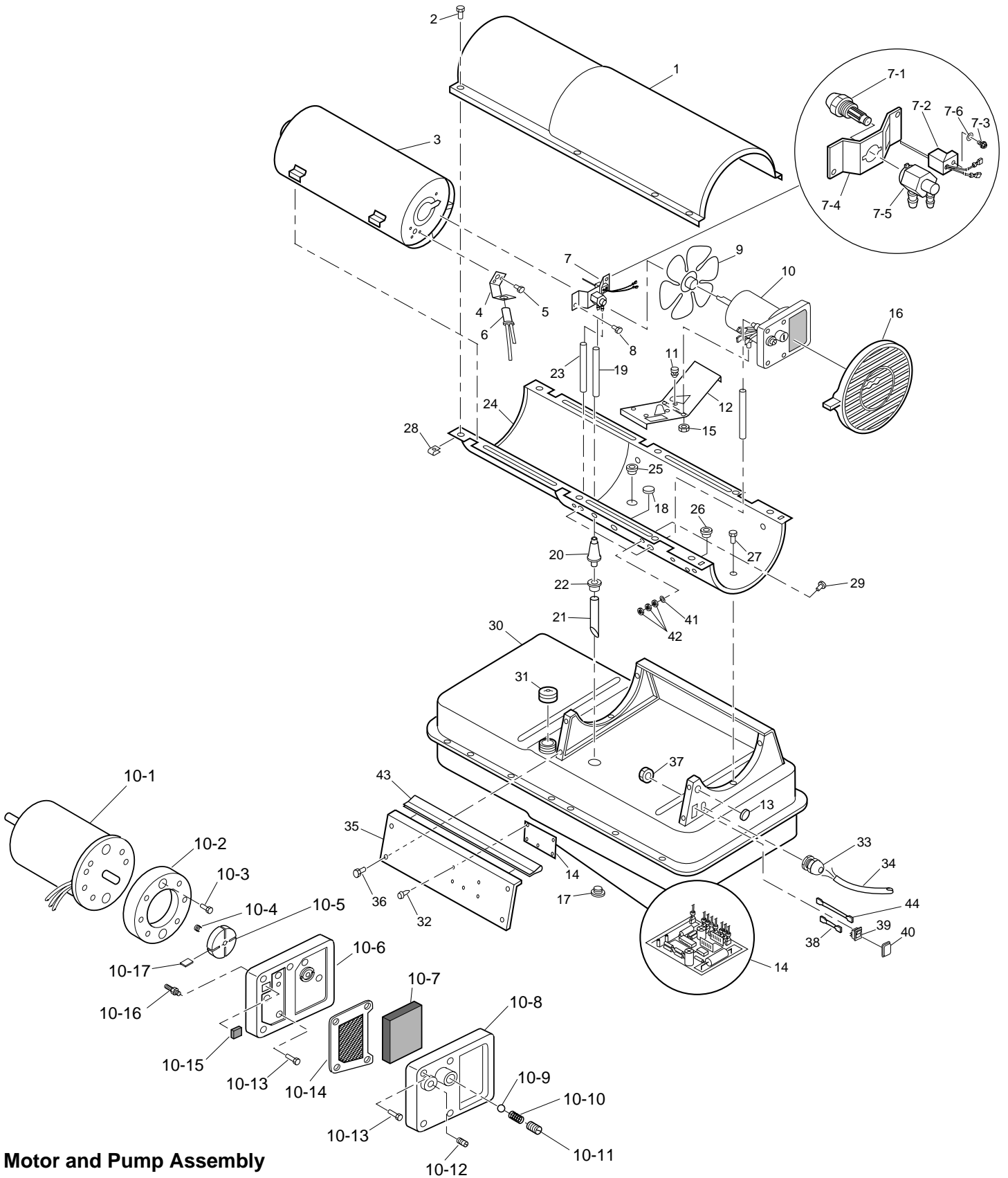
Key No.	Part Number	Description	Qty.	Key No.	Part Number	Description	Qty.
1	4110.130	Handle	1	16	4108.486	Hex Lock Nut, 1/4-20	2
2	4110.064	Upper Shell	1	17	4110.124	Screw/Lockwasher, 1/2"	4
3	4160.602	Screw	2	18	4150.553	Rubber Bumper	2
4	4109.590	Screw/Lockwasher	6	19	4100.635	Side Cover	1
5	4110.050	Combustion Chamber	1	20	4110.187	Motor Bracket	1
6	4103.529	Screw, #6-32 x 3/8"	2	21	4101.151	Bushing	1
7	4100.658	Photocell Bracket	1	22	4104.170	Clip Nut	6
8	4103.590	Photocell Assembly	1	23	4101.152	Bushing	1
9	**	Burner Strap Assembly	1	24	4110.124	Screw/Lockwasher, 1/2"	6
9-1	4100.647	Nozzle Assembly	1	25	4110.133	Screw	1
9-2	4110.132	Ignitor	1	26	4110.535	Lower Shell	1
9-3	4100.664	Nozzle Adapter	1	27	4104.147	Rubber Airline	1
9-4	4100.653	Nozzle Adapter Bracket	1	28	4109.567	Fuel Line	1
9-5	4100.669	Screw, #6-32 x 7/8"	1	29	4103.875	Fuel Filter	1
9-6	4100.660	Belleville Washer	1	30	4100.541	Rubber Bushing	1
10	4110.124	Screw/Lockwasherr	2	31	4100.656	Nylon Locknut	1
11	4100.662	Fan	1	32	4100.654	PCB Support	5
12	**	Motor and Pump Assembly	1	33	4110.142	PC Board	1
12-1	4110.079	Motor	1	34	4103.891	Fuel Cap (Includes Gasket)	
12-2	4101.317	Pump Body	1	35	4110.140	Fuel Tank	1
12-3	4108.635	Insert	1	36	4100.671	Shell Heat-Shield	1
12-4	4108.627	Rotor	1	37	4110.134	Nut	3
12-5	4109.724	Pump End Cover	1	38	4110.075	Vinyl Foam Gasket	1
12-6	4109.716	Lint Filter	1	39	4160.613	Lockwasher	1
12-7	4109.690	Intake Filter	1	40	4110.036	Wire Assembly (Brown)	1
12-8	4109.674	End Cover	1	41	4100.667	ON/OFF Switch	1
12-9	4108.528	Screw, #10-32 x 1"	3	42	4104.336	Switch Cover	1
12-10	4102.133	Adjusting Screw	1	43	4110.037	Wire Assembly (White)	1
12-11	4102.141	Pressure Relief Spring	1	PARTS AVAILABLE - NOT SHOWN			
12-12	4102.125	Plug	1				
12-13	4108.379	Steel Ball, 1/4" Diameter	1		4105.292	Filler Neck Screen	1
12-14	4109.708	Output Filter	1		4161.829	PC Board Fuse	1
12-15	4108.528	Screw #10-32 x 1"	6				
12-16	4100.661	Nylon Elbow, 90	1				
12-17	4101.200	Blade	4				
12-18	4108.588	Screw, #10-32 x 5/8"	2				
12-19	4100.666	Plastic Cap	1				
13	4103.685	Fan Guard	1				
14	4110.038	Power Cord	1				
15	4150.528	Strain Relief Bushing	1				

** Parts not available as an assembly, order parts separately.

MASTER DIRECT OIL HEATERS

MODEL 100 CEL 29 kW Model

ILLUSTRATED PARTS BREAKDOWN



Motor and Pump Assembly

MASTER DIRECT OIL HEATERS

MODEL 100 CEL 29 kW

PARTS LIST

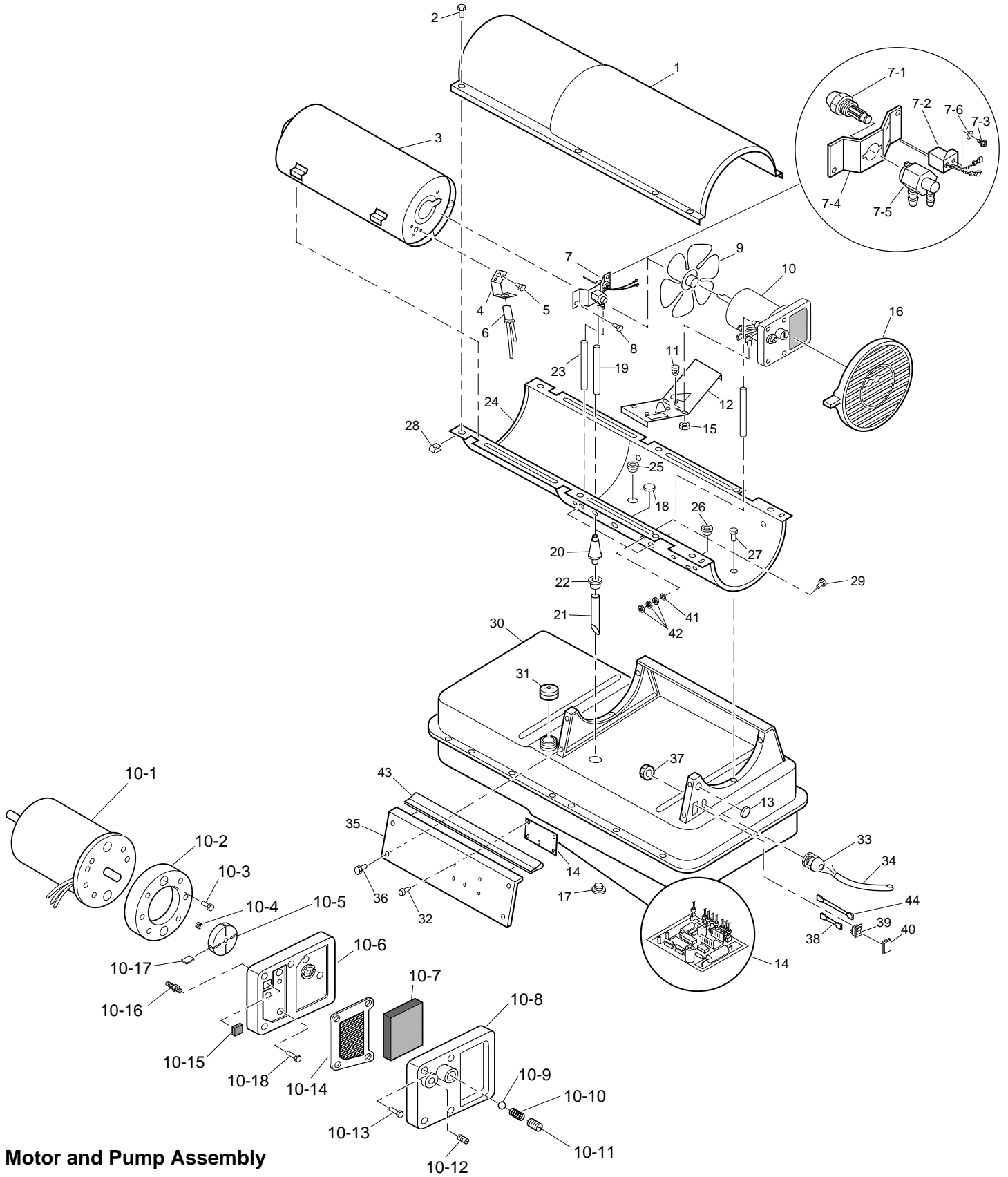
Key No.	Part Number	Description	Qty.	Key No.	Part Number	Description	Qty.
1	4104.006	Upper Shell	1	17	4100.632	Drain Plug (Includes "o" Ring)	1
2	4109.590	Screw/Lockwasher, 1/2"	8	18	4110.070	Button Plug	1
3	4110.050	Combustion Chamber	1	19	4110.032	Fuel Line	1
4	4100.658	Photocell Bracket	1	20	4100.630	Fuel Filter	1
5	4103.529	Screw	2	21	4110.147	Fuel Line Tube	1
6	4103.590	Photocell Assembly	1	22	4100.541	Rubber Bushing	1
7	**	Burner Strap Assembly	1	23	4104.156	Airline	1
7-1	4100.645	Nozzle Assembly	1	24	4110.063	Lower Shell	1
7-2	4110.132	Ignitor	1	25	4101.112	Bushing	1
7-3	4100.669	Screw, #6-32 x 7/8"	1	26	4160.646	Bushing	1
7-4	4100.653	Nozzle Adapter Bracket	1	27	4110.124	Screw/Lockwasher, 1/2"	6
7-5	4100.663	Nozzle Adapter	1	28	4104.170	Clip Nut	8
7-6	4100.660	Belleville Washer	1	29	4110.133	Screw,	1
8	4110.124	Screw/Lockwasher, 1/2"	2	30	4110.149	Fuel Tank	1
9	4105.062	Fan	1	31	4103.891	Fuel Cap (Includes Gasket)	1
10	**	Motor and Pump Assembly	1	32	4100.654	P.C. Board Support	5
10-1	4110.080	Motor	1	33	4150.528	Strain Relief Bushing	1
10-2	4101.317	Pump Body	1	34	4110.038	Power Cord	1
10-3	4108.590	Screw, #10-32 x 5/8"	2	35	4100.670	Side Cover	1
10-4	4108.635	Rotor Insert	1	36	4110.124	Screw/Lockwasher, 1/2"	4
10-5	4108.627	Pump Rotor	1	37	4100.656	Nylon Locknut	1
10-6	4101.325	Pump End Cover	1	38	4110.036	Wire Assembly (Brown)	1
10-7	4101.358	Intake Filter	1	39	4100.667	ON/OFF Switch	1
10-8	4108.643	End Cover	1	40	4104.336	Switch Cover	1
10-9	4108.379	Steel Ball, 1/4" Diameter	1	41	4100.527	Lockwasher, #10	1
10-10	4102.141	Relief Spring	1	42	4110.134	Nut	3
10-11	4102.133	Adjusting Screw	1	43	4103.850	Edge Liner	1
10-12	4102.125	Plug	1	44	4110.037	Wire Assembly (White)	1
10-13	4108.528	Screw, #10-32 x 1"	10	PARTS AVAILABLE - NOT SHOWN			
10-14	4101.341	Output Filter	1				
10-15	4101.333	Lint Filter	1	4105.292	Filler Neck Screen	1	
10-16	4104.118	Barb Fitting	1	4161.829	PC Board Fuse	1	
10-17	4101.200	Blade	4				
11	4150.553	Rubber Bumper	2				
12	4110.186	Motor Mounting Bracket	1				
12	4100.649	Button Plug	1				
14	4110.142	PC Board	1				
15	4108.486	Hex Lock Nut, 1/4-20	2				
16	4103.695	Fan Guard	1				

** Parts not available as an assembly, order parts separately.

MASTER DIRECT OIL HEATERS

MODEL 150 CEL 44 kW Model

ILLUSTRATED PARTS BREAKDOWN



Motor and Pump Assembly

MASTER DIRECT OIL HEATERS

MODEL 150 CEL 44 kW

PARTS LIST

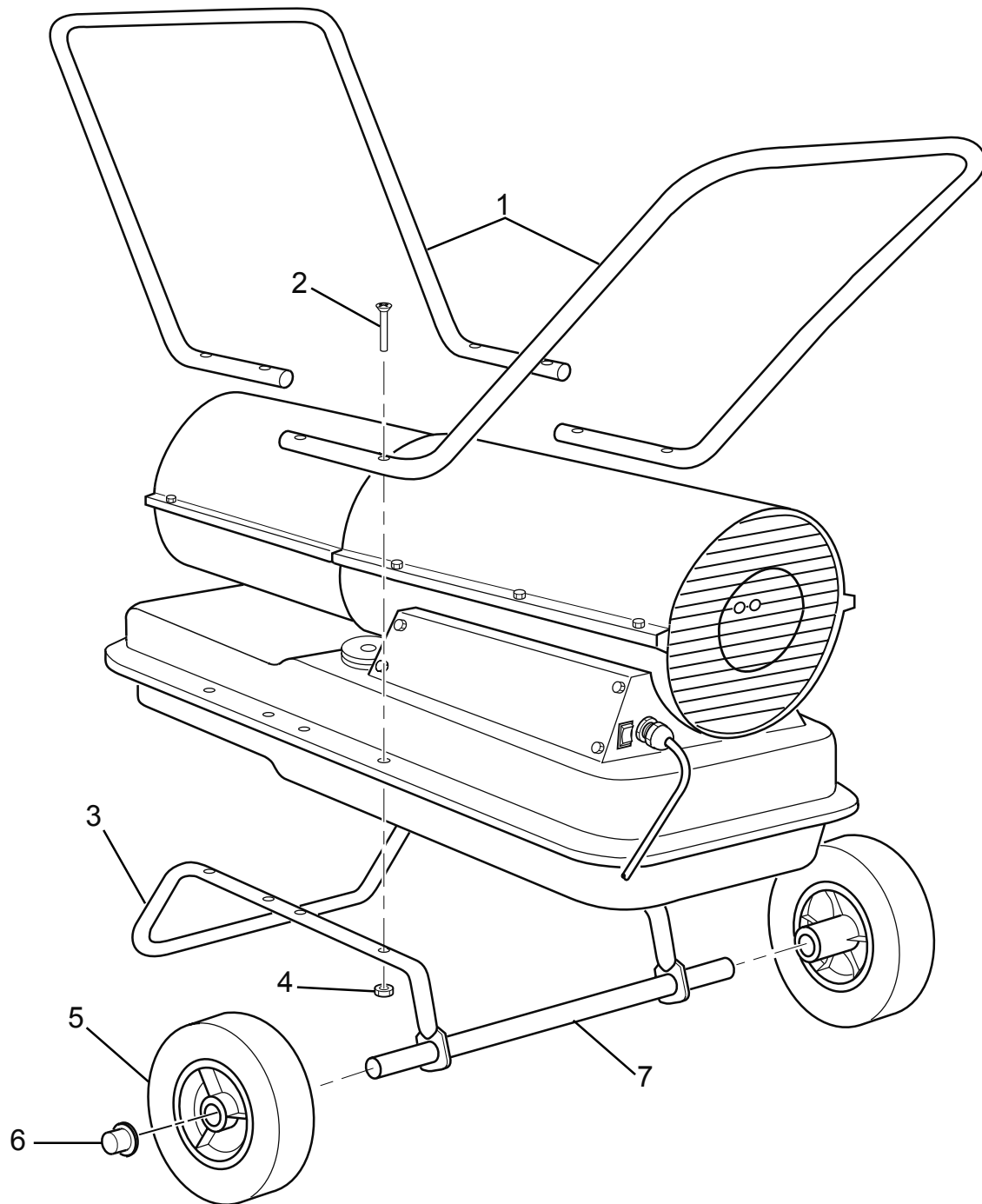
Key No.	Part Number	Description	Qty.	Key No.	Part Number	Description	Qty.
1	4104.006	Upper Shell	1	17	4100.632	Drain Plug (Includes "o" Ring)	1
2	4109.590	Screw/Lockwasher, 1/2"	8	18	4110.070	Button Plug	1
3	4110.182	Combustion Chamber	1	19	4110.032	Fuel Line	1
4	4100.659	Photocell Bracket	1	20	4100.630	Fuel Filter	1
5	4103.529	Screw	2	21	4110.147	Fuel Line Tube	1
6	4103.590	Photocell Assembly	1	22	4100.541	Rubber Bushing	1
7	**	Burner Strap Assembly	1	23	4104.156	Airline	1
7-1	4100.646	Nozzle Assembly	1	24	4110.063	Lower Shell	1
7-2	4110.132	Ignitor	1	25	4101.112	Bushing	1
7-3	4100.669	Screw, #6-32 x 7/8"	1	26	4160.646	Bushing	1
7-4	4100.653	Nozzle Adapter Bracket	1	27	4110.124	Screw/Lockwasher, 1/2"	6
7-5	4100.663	Nozzle Adapter	1	28	4104.170	Clip Nut	8
7-6	4100.660	Belleville Washer	1	29	4110.133	Screw,	1
8	4110.124	Screw/Lockwasher, 1/2"	2	30	4110.149	Fuel Tank	1
9	4105.062	Fan	1	31	4103.891	Fuel Cap (Includes Gasket)	1
10	**	Motor and Pump Assembly	1	32	4100.654	P.C. Board Support	5
10-1	4110.080	Motor	1	33	4150.528	Strain Relief Bushing	1
10-2	4101.532	Pump Body	1	34	4110.038	Power Cord	1
10-3	4108.590	Screw, #10-32 x 3/4"	2	35	4100.670	Side Cover	1
10-4	4108.635	Rotor Insert	1	36	4110.124	Screw/Lockwasher, 1/2"	4
10-5	4103.441	Pump Rotor	1	37	4100.656	Nylon Locknut	1
10-6	4101.325	Pump End Cover	1	38	4110.036	Wire Assembly (Brown)	1
10-7	4101.358	Intake Filter	1	39	4100.667	ON/OFF Switch	1
10-8	4108.643	End Cover	1	40	4104.336	Switch Cover	1
10-9	4108.379	Steel Ball, 1/4" Diameter	1	41	4100.527	Lockwasher, #10	1
10-10	4102.141	Relief Spring	1	42	4110.134	Nut	3
10-11	4102.133	Adjusting Screw	1	43	4103.850	Edge Liner	1
10-12	4102.125	Plug	1	44	4110.037	Wire Assembly (White)	1
10-13	4108.528	Screw, #10-32 x 1"	4	PARTS AVAILABLE - NOT SHOWN			
10-14	4101.341	Output Filter	1		4105.292	Filler Neck Screen	1
10-15	4101.333	Lint Filter	1		4161.829	PC Board Fuse	1
10-16	4104.118	Barb Fitting	1				
10-17	4101.666	Blade	4				
10-18	4108.536	Screw, #10-32 x 1 1/8"	6				
11	4150.553	Rubber Bumper	2				
12	4110.186	Motor Mounting Bracket	1				
13	4100.649	Button Plug	1				
14	4110.142	PC Board	1				
15	4108.486	Hex Lock Nut, 1/4-20	2				
16	4103.695	Fan Guard	1				

** Parts not available as an assembly, order parts separately.

MASTER DIRECT OIL HEATERS - WHEELS AND HANDLES

MODELS 100/150 CEL and 100/150 CED

ILLUSTRATED PARTS BREAKDOWN



MASTER DIRECT OIL HEATERS - WHEELS AND HANDLES

MODELS 100/150 CEL and 100/150 CED

PARTS LIST

<i>Key No.</i>	<i>Part Number</i>	<i>Description</i>	<i>Qty.</i>
1	4110.077	Handles	2
2	4110.144	Screw	8
3	4110.078	Wheel Support Frame	1
4	4110.143	Hex Nut,	8
5	4110.084	Wheels Kit	1
6	4110.085	Cap Nut	2
7	4110.109	Axle	1

Direct oil / kerosene high pressure heaters

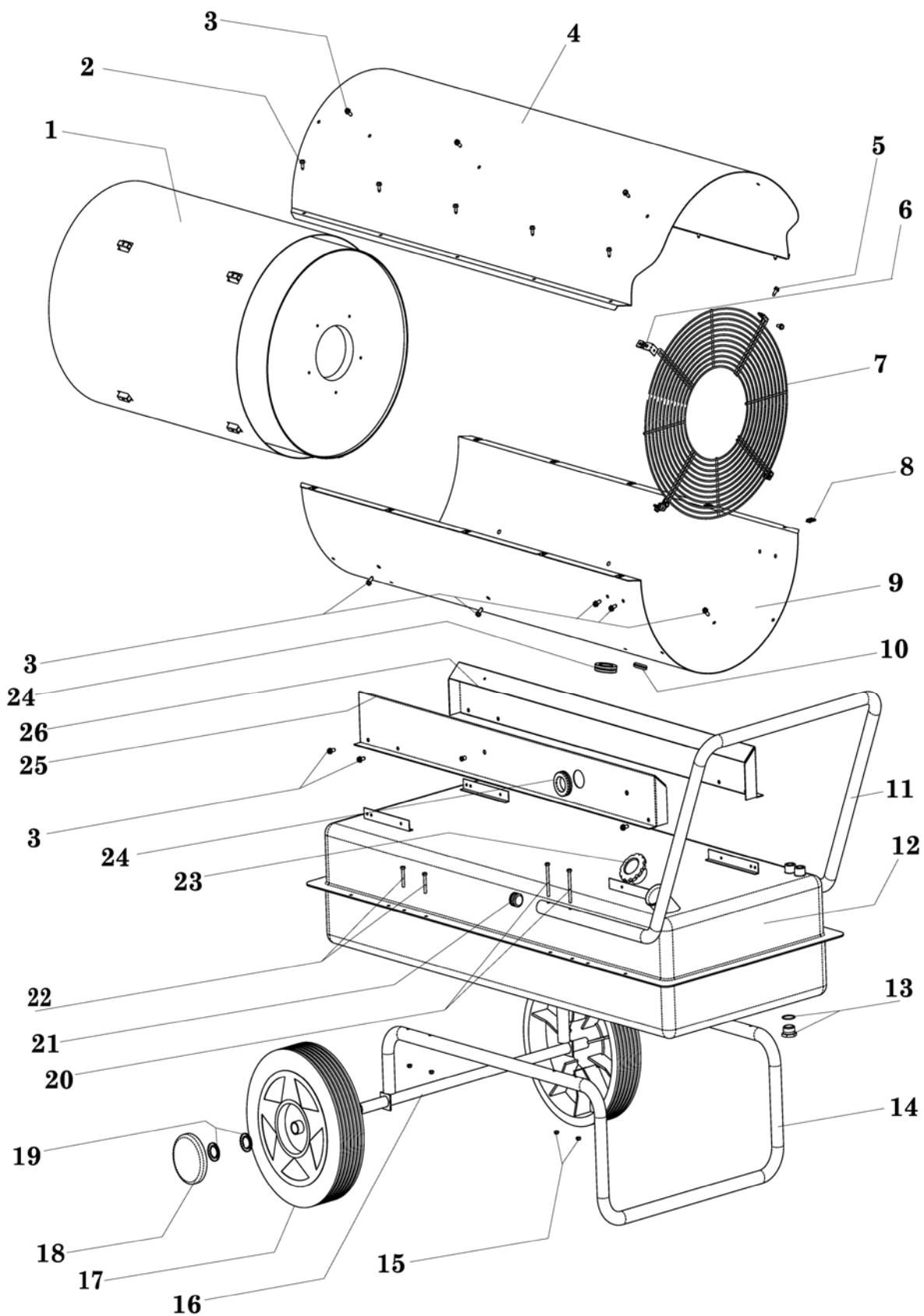


Heater capacity: 65 / 105 kW

Models

220 CEE / 225 CEE / 230

354 CEE / 355 CEE / 360

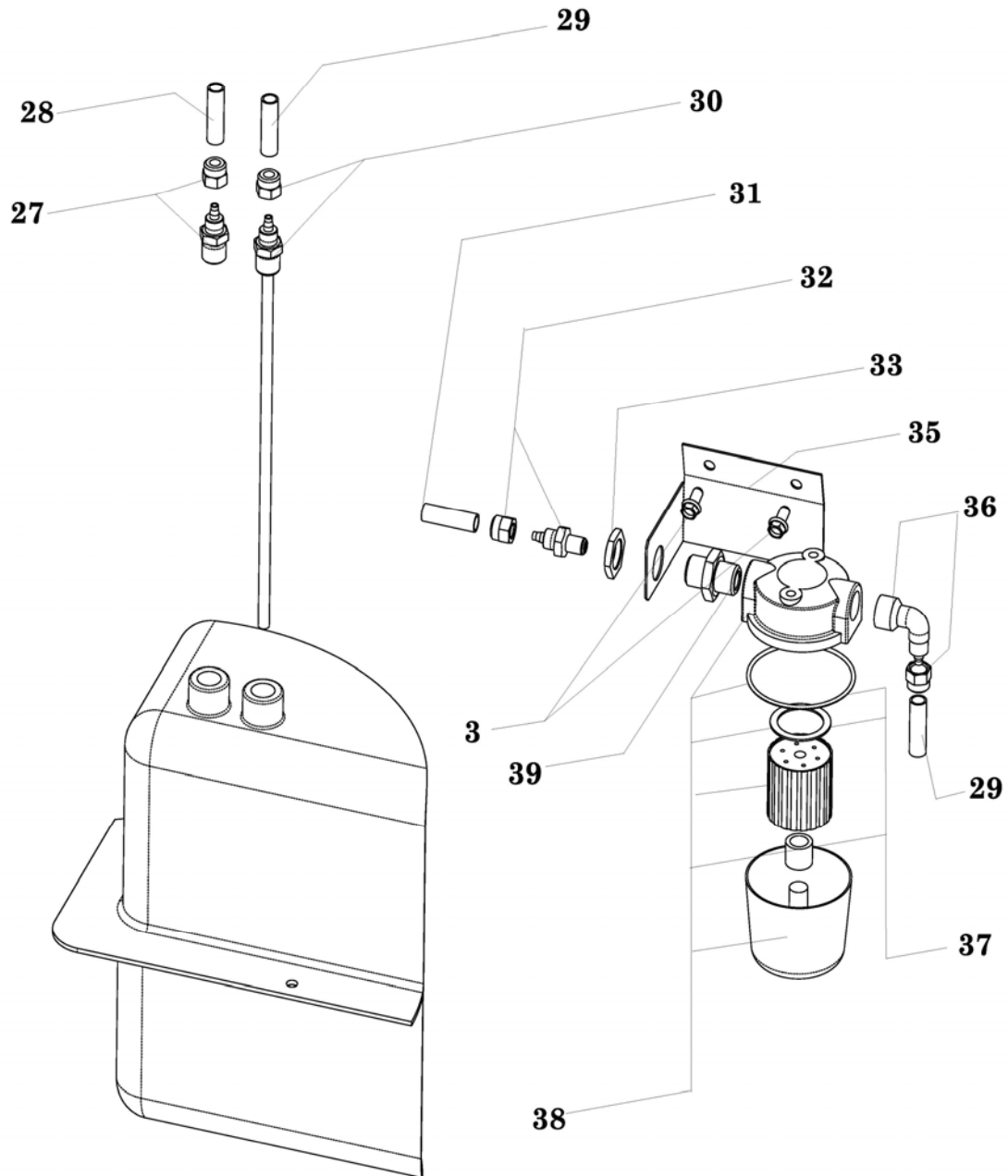


MASTER DIRECT OIL HEATERS

MODEL 220 CEE BODY

PARTS LIST

Key No.	Part number	Description
1	4110.991	COMBUSTION CHAMBER
2	4109.590	HEX SCREW
3	4110.517	SCREW TE F/R 5,5X13
4	4110.987	SHELL UPPER
5	4110.124	HEX HD SCREW
6	4111.058	BRACKET GRILL
7	4110.975	GRILL
8	4161.905	CLIP NUTS
9	4110.988	SHELL LOWER
10	4160.646	BUSCHING PVC BLACK
11	4111.129	HANDLE
12	4110.625	FUEL TANK COMPLETE
13	4031.013	DRAIN PLUG
14	4111.131	WHELL SUPPORT
15	4110.143	NUT M5 AUTO BLOCK
16	4111.132	AXLE
17	4110.978	WHEEL D.300
18	4110.129	PLUG WHEEL BLACK
19	4111.072	WHEEL HOLDER D.20
20	4111.078	SCREW TE M5X60
21	4111.057	COVER HEAD PVC BLACK D.25
22	4111.077	SCREW TE M5X35
23	4110.962	TANK PLUG
24	4111.056	BUSCHING PVC BLACK
25	4111.135	BASE CONTROL BOX
26	4111.136	BASE



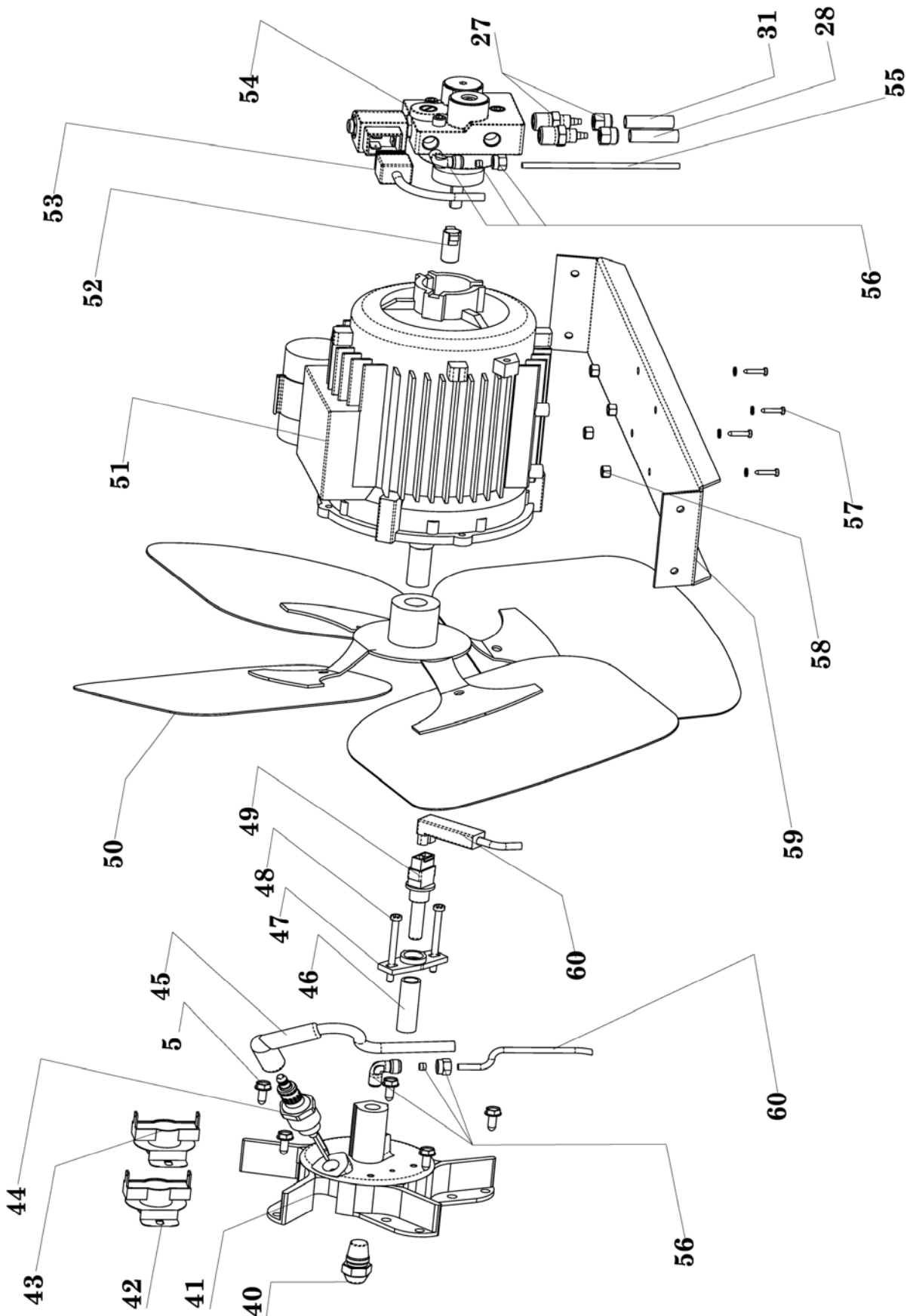
MASTER DIRECT OIL HEATERS

MODEL 220 CEE FILTER

PARTS LIST

Key No.	Part number	Description
3	4110.517	SCREW TE F/R 5,5X13
27	4111.048	CONNECTION STRAIGHT D.6/4
28	4111.050	FLEX FUEL PIPE PUMP-TANK
29	4111.026	FLEX FUEL PIPE TANK-FILTER
30	4031.148	PIPE CONN. 1/4" MX6
31	4111.043	FLEX FUEL PIPE FILTER-PUMP
32	4031.160	CONNECTOR
33	4031.800	NUT 3/8"X5
35	4111.046	BRACKET SUPP. FUEL FILTER
36	4031.803	CONNECTION 90° 3/8 MX6
37	4111.116	KIT FILTER PACKINGS
38	4111.045	FUEL FILTER 3/8
39	4031.802	SCREW DOUBLE

MODEL 220 CEE MOTOR / PUMP / FAN ILLUSTRATED PARTS BREAKDOWN



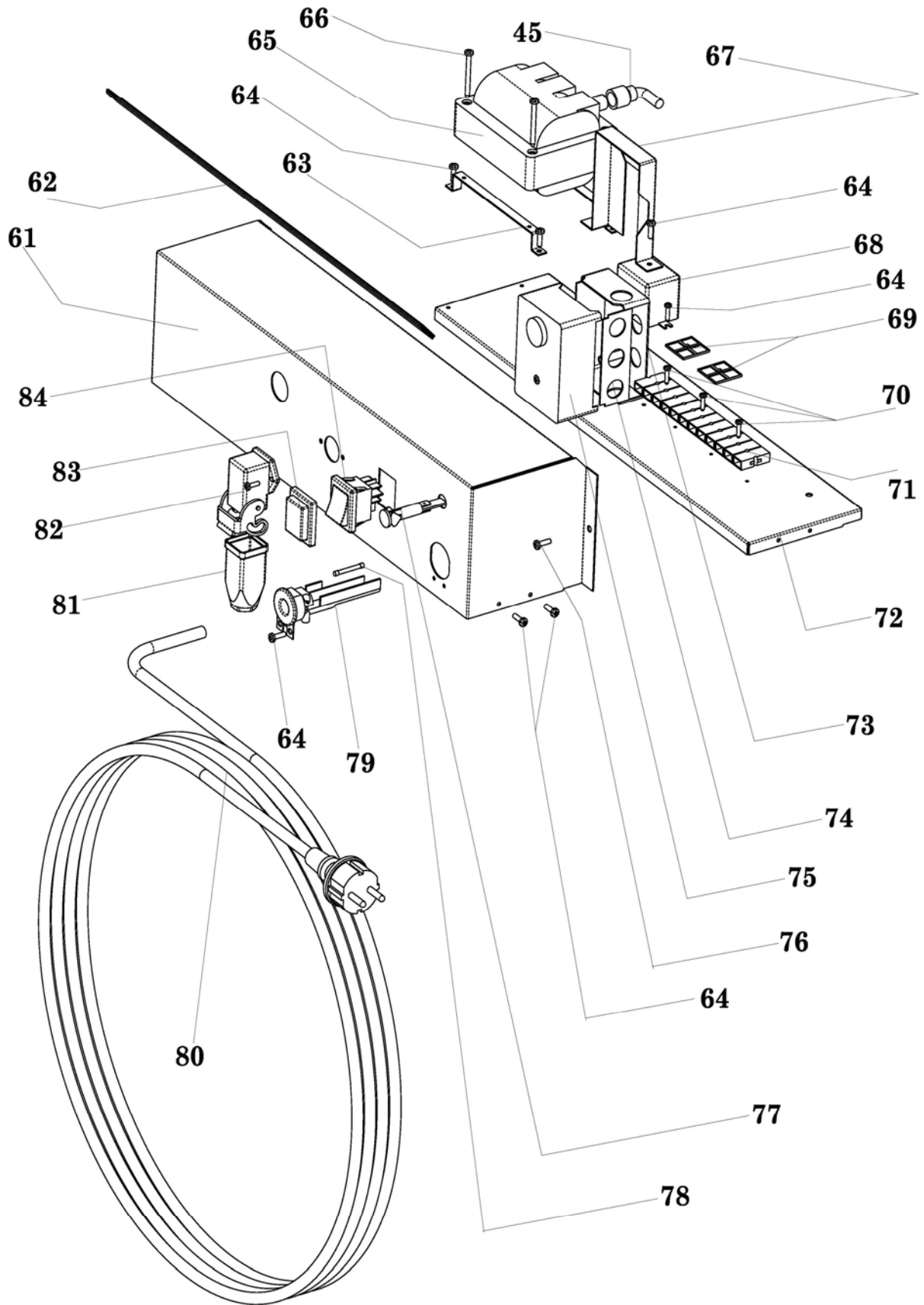
MASTER DIRECT OIL HEATERS

MODEL 220 CEE MOTOR PUMP FAN

PARTS LIST

Key No.	Part number	Description
5	4110.124	HEX HD SCREW
27	4111.048	CONNECTION STRAIGHT D.6/4
28	4111.050	FLEX FUEL PIPE PUMP-TANK
31	4111.043	FLEX FUEL PIPE FILTER-PUMP
40	4111.192	NOZZLE 1,65 GPH 60°S
41	4110.994	BODY BURNER
42	4031.047	OVERHEAT THERMOSTAT
43	4031.045	COOL-OFF THERMOSTAT
44	4101.846	SPARK PLUG
45	4110.971	SPARK PLUG WIRE L=850
46	4111.064	PHOTOCELL SEPARATION
47	4111.076	SUPPORT
48	4111.075	SCREW TE M4X55
49	4110.966	PHOTOCELL
50	4110.974	FAN
51	4110.973	MOTOR 750W 230V
52	4111.081	COUPLING SIMEL
53	4110.963	WIRE CONN. ELETTRIVALV. L=900MM
54	4111.042	FUEL PUMP
55	4111.049	COPPER PIPE D.4X0.75 L=850
56	4161.140	ELBOW
57	4111.044	SCREW TE M5X16
58	4111.104	NUTE M6
59	4110.977	BRACKET SUPP.MOTOR
60	4110.970	WIRE CONN. PHOTOCELL L=700

MODEL 220 CEE ELECTRIC ASSEMBLY ILLUSTRATED PARTS BREAKDOWN



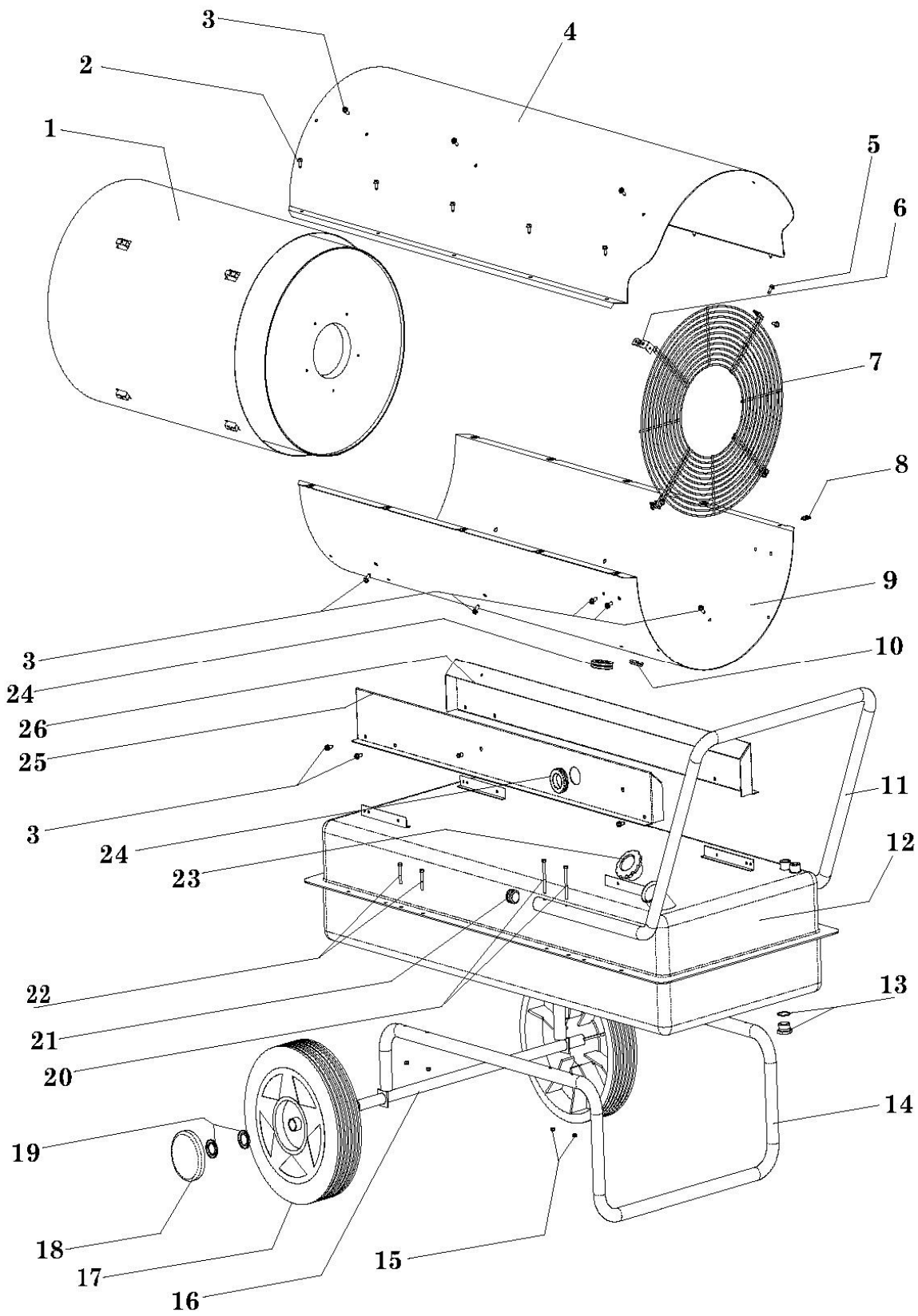
MASTER DIRECT OIL HEATERS

MODEL 220 CEE ELECTRIC ASSEMBLY

PARTS LIST

Key No.	Part number	Description
45	4110.971	SPARK PLUG WIRE L=850
61	4111.036	ELECTRONIC CONTROL
62	4110.153	EDGE LINER
63	4111.030	BRACKET, TRANSFORMER
64	4160.969	SCREW AUTOF. TCC 3,5X6,5
65	4110.965	TRASFORMER
66	4160.994	SCREW TCC 3,5X38
67	4111.031	BRACKET, PC-BOARD SATRONIC
68	4111.032	RELAY FINDER
69	4111.051	PLASTIC WIRE STOPPER LEGRAND
70	4111.034	SCREW TCC 2,9X13
71	4111.033	TERMINAL BOARD 12 PIN
72	4111.117	BASE
73	4110.969	BASE (S98N7) PER TF974
74	4110.967	SUPPORT PG PHOTOCCELL
75	4110.968	CONTROL BOX BASE
76	4161.315	SCREW TE M5X16
77	4111.039	PILOT LAMP
78	4111.040	FUSE 10A 6X32MM
79	4111.038	CABLE FASTER
80	4165.149	ELECTRICAL WIRE
81	4111.118	KIT PLUG
82	4111.119	KIT SOCKET
83	N/A	COVER SWITCH (see below)
84	4160.637	SWITCH WITH COVER
85	4111.120	KIT WIRE BASE

N/A – Parts not Available

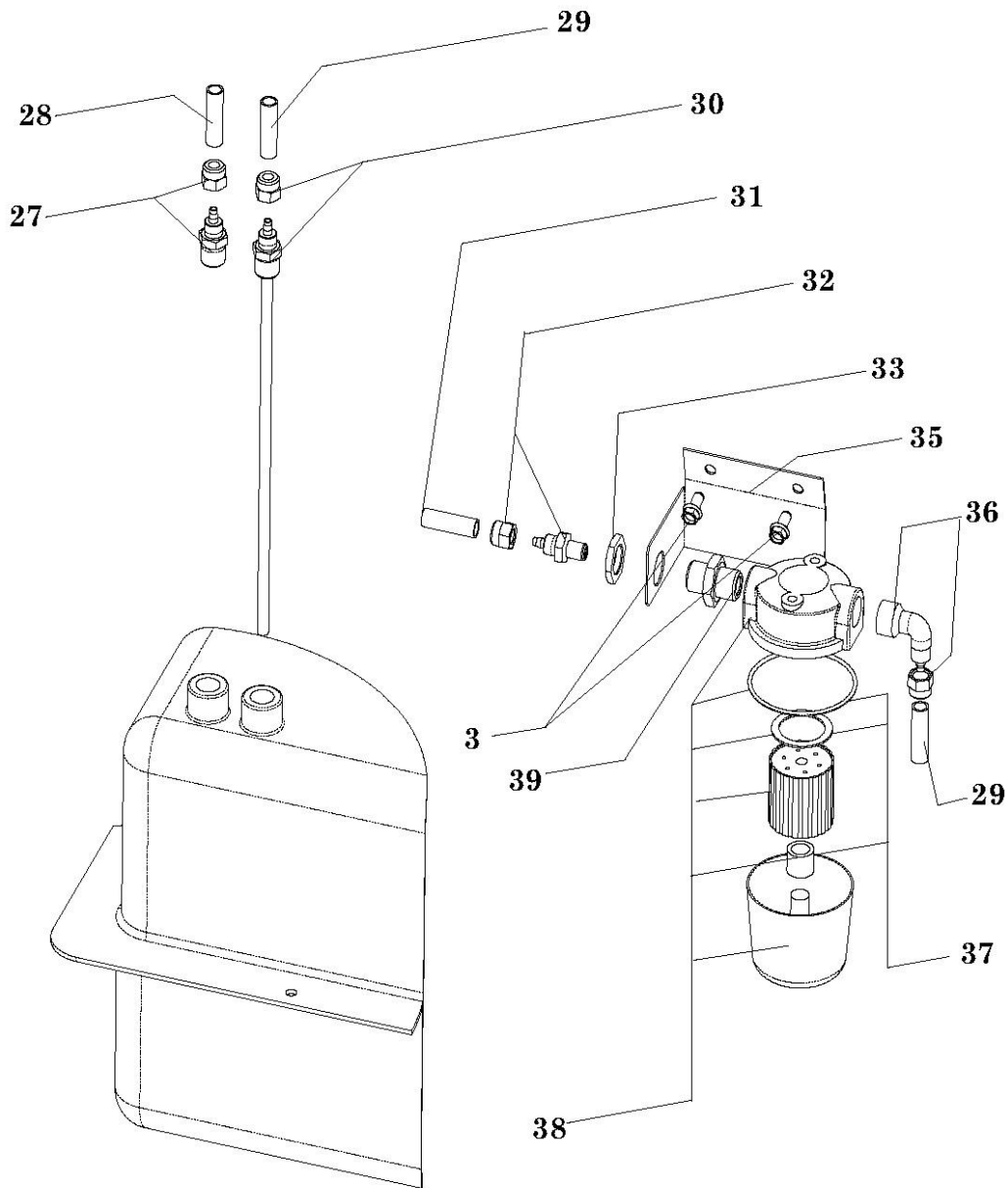


MASTER DIRECT OIL HEATERS

MODEL 354 CEE BODY

PARTS LIST

Key No.	Part number	Description
1	4110.991	COMBUSTION CHAMBER
2	4109.590	HEX SCREW
3	4110.517	SCREW AUTOF. TE F/R 5,5X13
4	4110.987	SHELL UPPER
5	4110.124	HEX HD SCREW
6	4111.058	BRACKET GRILL
7	4110.975	GRILL
8	4161.905	SHELL CONNECTOR
9	4110.988	SHELL LOWER
10	4160.646	BUSCHING PVC BLACK
11	4110.984	HANDLE
12	4110.961	FUEL TANK COMPLETE
13	4031.013	DRAIN PLUG
14	4110.980	WHELL SUPPORT
15	4110.143	NUT M5 AUTO BLOCK
16	4110.982	AXLE
17	4110.978	WHEEL D.300
18	4110.129	PLUG WHEEL BLACK
19	4111.072	WHEEL HOLDER D.20
20	4111.078	SCREW TE M5X60
21	4111.057	COVER HEAD PVC BLACK D.25
22	4111.077	SCREW TE M5X35
23	4110.962	TANK PLUG
24	4111.056	BUSCHING PVC BLACK
25	4111.115	BASE CONTROL BOX
26	4110.990	BASE

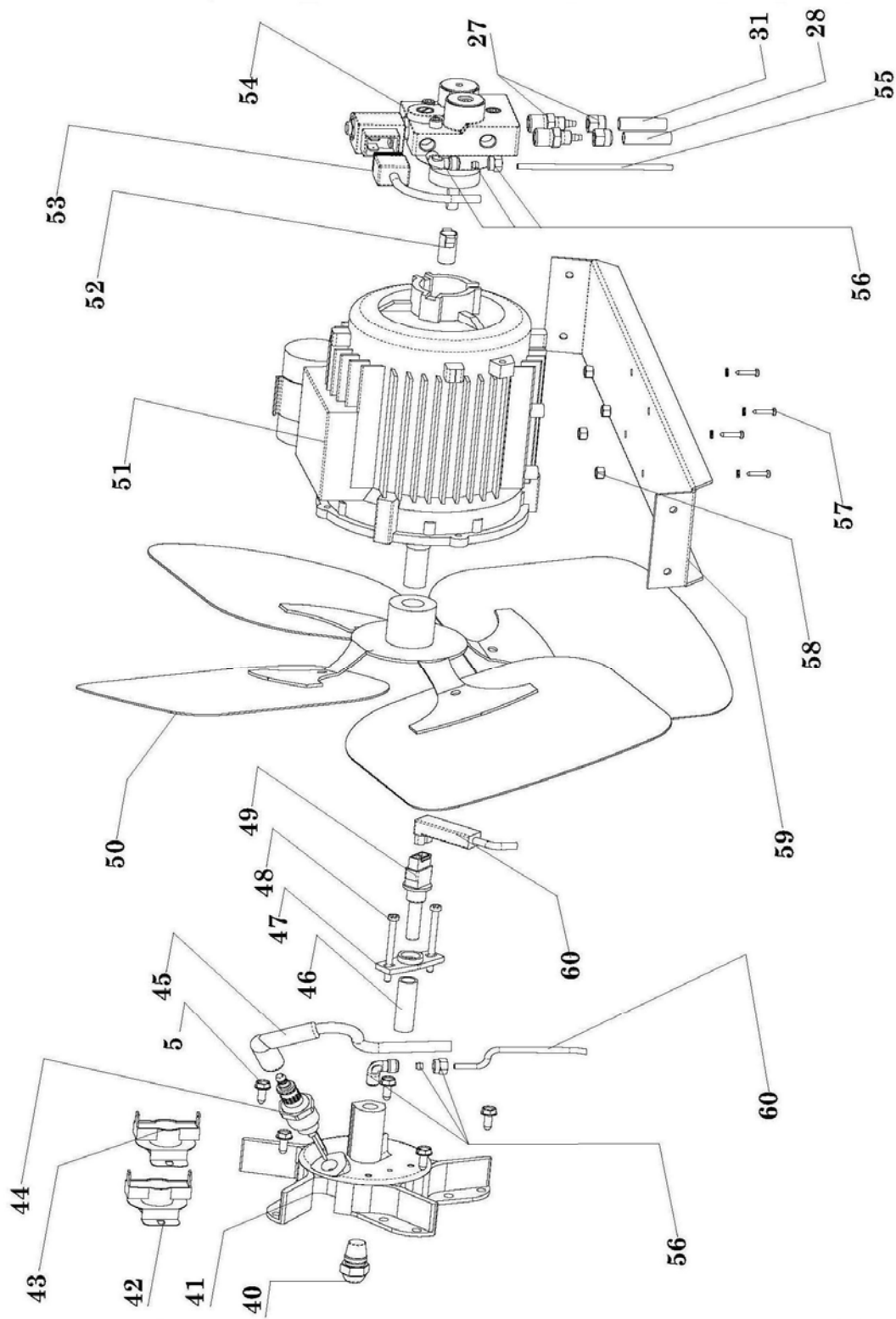


MASTER DIRECT OIL HEATERS

MODEL 354 CEE FILTER

PARTS LIST

Key No.	Part number	Description
3	4110.517	SCREW AUTOF. TE F/R 5,5X13
27	4111.048	CONNECTION STRAIGHT D.6/4
28	4111.050	FLEX FUEL PIPE PUMP-TANK
29	4111.026	FLEX FUEL PIPE TANK-FILTER
30	4031.148	PIPE CONN. 1/4" MX6
31	4111.043	FLEX FUEL PIPE FILTER-PUMP
32	4031.160	CONNECTOR
33	4031.800	NUT 3/8"X5
35	4111.046	BRACKET SUPP. FUEL FILTER
36	4031.803	CONNECTION 3/8 MX6
37	4111.116	FILTER KIT
38	4111.045	FUEL FILTER
39	4031.802	SCREW DOUBLE



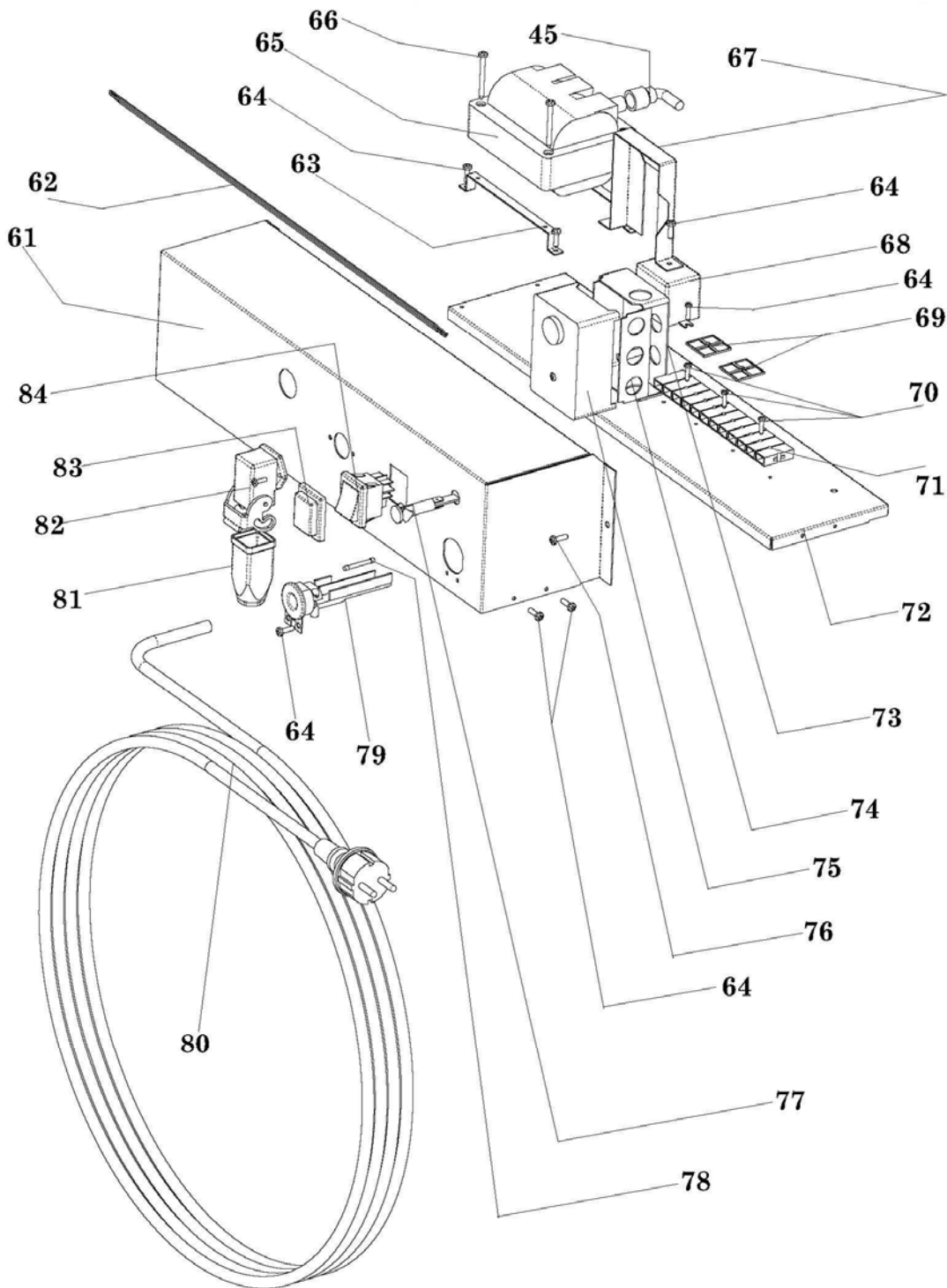
MASTER DIRECT OIL HEATERS

MODEL 354 CEE MOTOR PUMP FAN

PARTS LIST

Key No.	Part number	Description
5	4110.124	HEX HD SCREW
27	4111.048	CONNECTION STRAIGHT D.6/4
28	4111.050	FLEX FUEL PIPE PUMP-TANK
31	4111.043	FLEX FUEL PIPE FILTER-PUMP
40	4111.134	NOZZLE
41	4110.994	BODY BURNER
42	4031.047	OVERHEAT THERMOSTAT
43	4031.045	COOL-OFF THERMOSTAT
44	4101.846	SPARK PLUG
45	4110.971	SPARK PLUG WIRE L=850
46	4111.064	PHOTOCELL FLANGE
47	4111.076	SUPPORT MZ 770 S
48	4111.075	SCREW TE M4X55
49	4110.966	PHOTOCELL
50	4110.974	FAN D.420MM-4 PALE 18
51	4110.973	MOTOR 750W 230V
52	4111.081	COUPLING SIMEL V1409
53	4110.963	WIRE CONN. ELETTRIVALV.
54	4111.042	FUEL PUMP
55	4111.049	COPPER PIPE
56	4161.140	ELBOW 90 M.M. 1/8"
57	4111.044	SCREW TE M5X16
58	4111.104	NUT M6
59	4110.977	BRACKET SUPP.MOTOR
60	4110.970	WIRE CONN. PHOTOCELL

MODEL 354 CEE ELECTRIC ASSEMBLY ILLUSTRATED PARTS BREAKDOWN



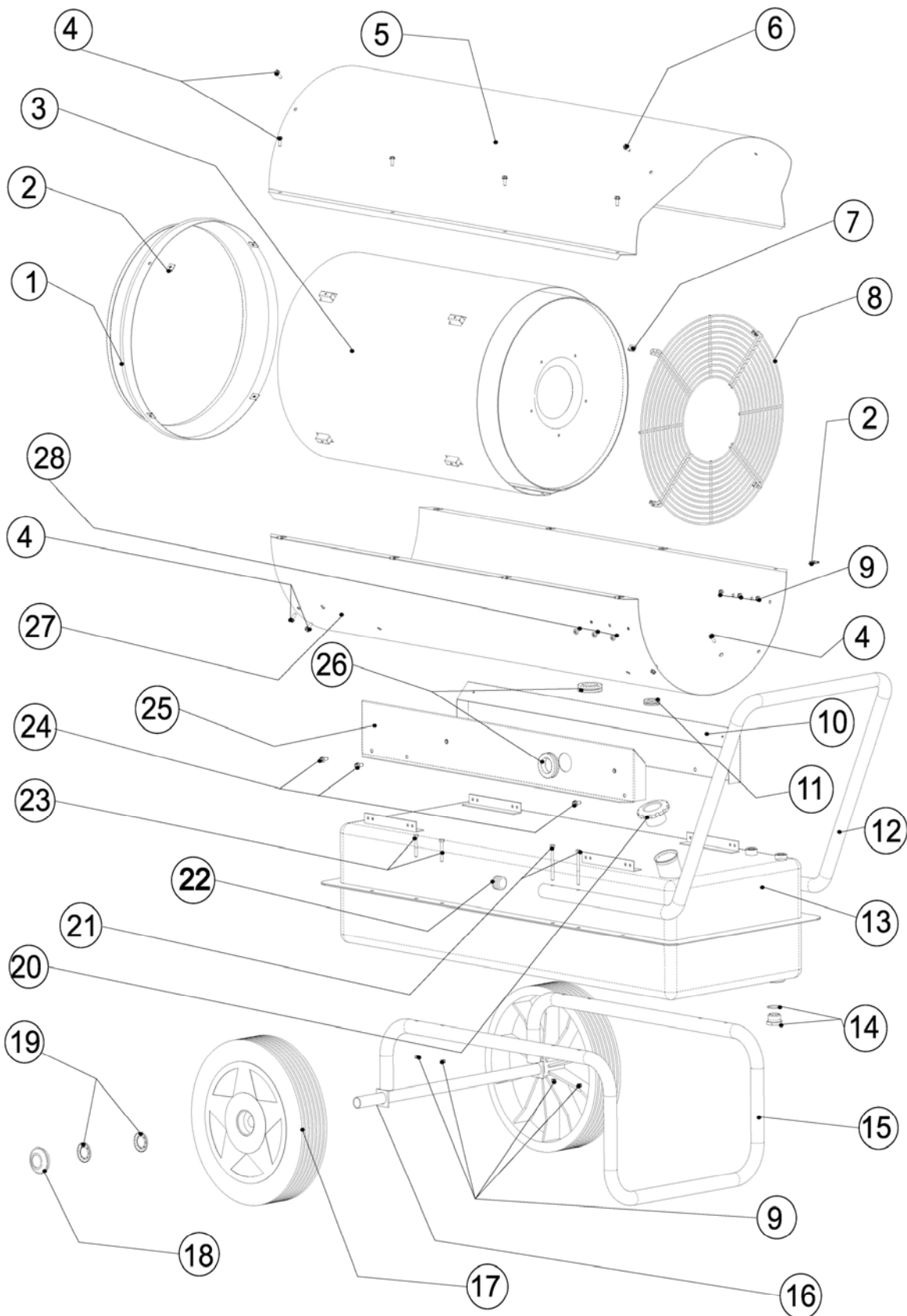
MASTER DIRECT OIL HEATERS

MODEL 354 CEE ELECTRIC ASSEMBLY

PARTS LIST

Key No.	Part number	Description
45	4110.971	SPARK PLUG WIRE L=850
61	4111.036	ELECTRONIC CONTROLL BOX
62	4110.153	EDGE LINER
63	4111.030	BRACKET, TRANSFORMER
64	4160.969	SCREW AUTOF. TCC 3,5X6,5
65	4110.965	TRASFORMER
66	4160.994	SCREW AUTOF. TCC 3,5X3
67	4111.031	BRACKET PC-BOARD
68	4111.032	RELAY FINDER
69	4111.051	PLASTIC WIRE STOPPER
70	4111.034	SCREW AUTOF. TCC 2,9X13
71	4111.033	TERMINAL BOARD 12 PIN
72	4111.117	BASE
73	4110.969	BASE FOR TF974
74	4110.967	SUPPORT PG PHOTOCELL
75	4110.968	CONTROL BOX
76	4161.315	SCREW TE M5X16
77	4111.039	PILOT LAMP
78	4111.040	FUSE 10A 6X32MM
79	4111.038	CABLE FASTER
80	4165.149	ELECTRICAL WIRE
81	4111.118	PLUG
82	4111.119	SOCKET
83	N/A	COVER SWITCH (see below)
84	4160.637	SWITCH WITH COVER
85	4111.120	KIT WIRE BASE

N/A – Parts not Available

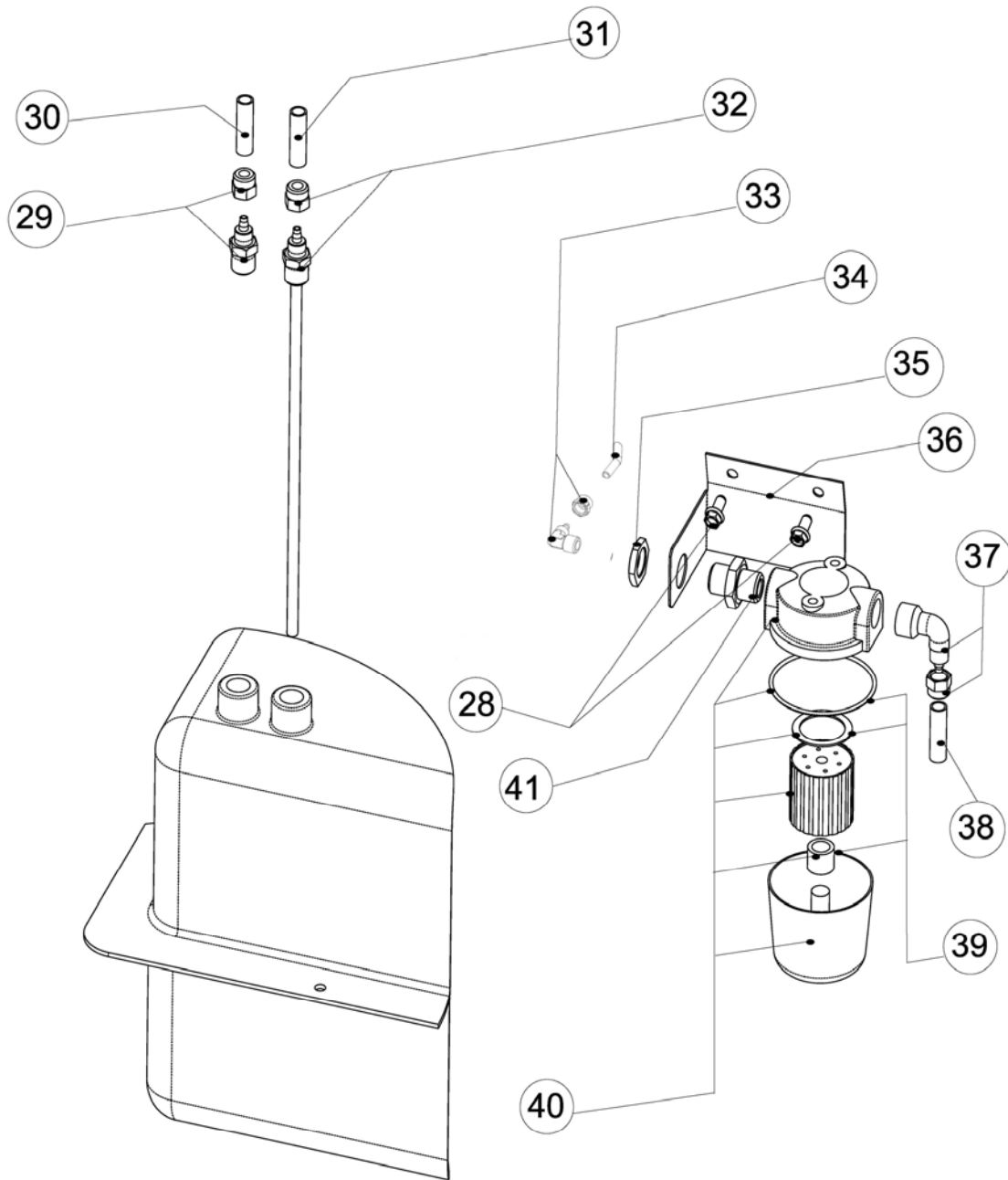


MASTER DIRECT OIL HEATERS

MODEL 225 CEE BODY

PARTS LIST

Key No.	Part number	Description
1	4111.233	OUTLET CONE
2	4104.170	CLIP NUT
3	4111.236	COMBUSTION CHAMBER COMPLETE
4	4109.590	SCREW TEFR 4,8X13 W/OUT TIP
5	4111.231	UPPER BODY
6	4110.124	SCREW TEFR 4,8X13 WITH TIP ZNB
7	4111.241	DOUBLE PLATE FOR SCREWS
8	4111.239	REAR INLET GRILL
9	4110.143	NUT M5 HEXAGONAL
10	4111.229	BASE
11	4160.646	BUSHING PVC BLACK
12	4111.129	FRAME HANDLE
13	4110.625	FUEL TANK
14	4031.013	DRAIN PLUG
15	4111.131	FRAME BEARING
16	4111.133	AXLE WHEELS
17	4110.978	WHEEL BLACK D.300
18	4110.129	PLUG WHEEL BLACK
19	4111.072	WHEEL HOLDER 20 mm
20	4110.962	TANK PLUG BLACK
21	4111.078	SCREW TE M5X60
22	4111.057	PLUG PVC BLACK
23	4111.077	SCREW TE M5X35
24	4110.517	SCREW TE F/R 5,5X13
25	4111.227	BASE SX
26	4111.056	BUSHING PVC BLACK
27	4111.232	LOWER BODY
28	4160.995	SCREW TCC M5X10

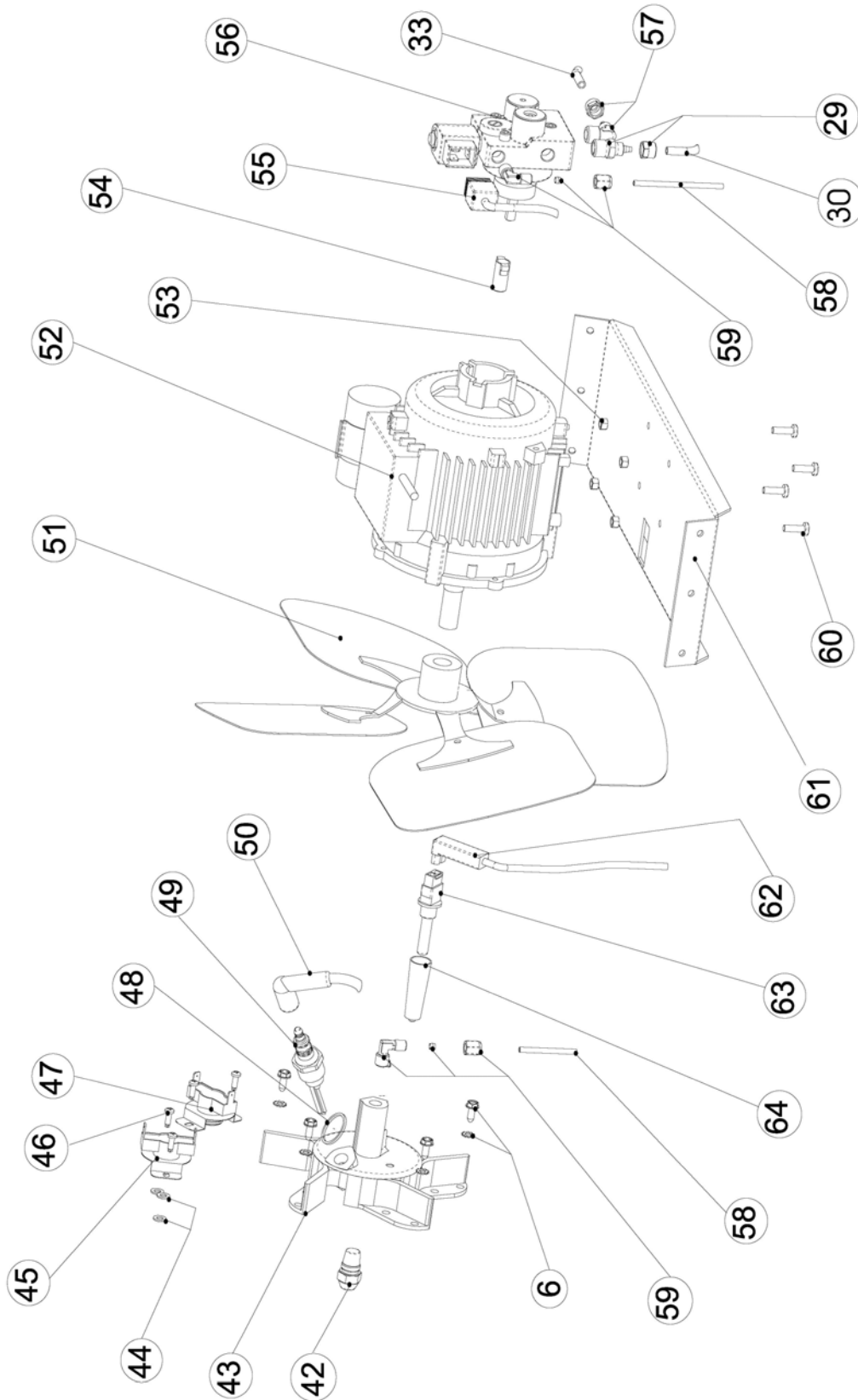


MASTER DIRECT OIL HEATERS

MODEL 225 CEE FILTER

PARTS LIST

Key No.	Part number	Description
28	4160.995	SCREW TCC M5X10
29	4031.160	CONNECTOR
30	4111.050	FUEL PIPE 6MM POMP-TANK
31	4111.026	FUEL PIPE 6MM TANK-FILTER
32	4031.148	PIPE CONN. 1/4" MX6
33	4111.273	CONNECTION
34	4111.043	FUEL PIPE 6MM FILTER-POMP
35	4031.800	NUT 3/8"X5 BRASS
36	4111.046	FILTER SUPPORT BLACK
37	4031.803	CONNECTION 90 DGR 3/8 MX6
38	4111.026	FUEL PIPE 6MM TANK-FILTER
39	4111.116	KIT FILTER PACKINGS
40	4111.045	FILTER COMPLETE
41	4031.802	DUBBLE SCREW



MASTER DIRECT OIL HEATERS

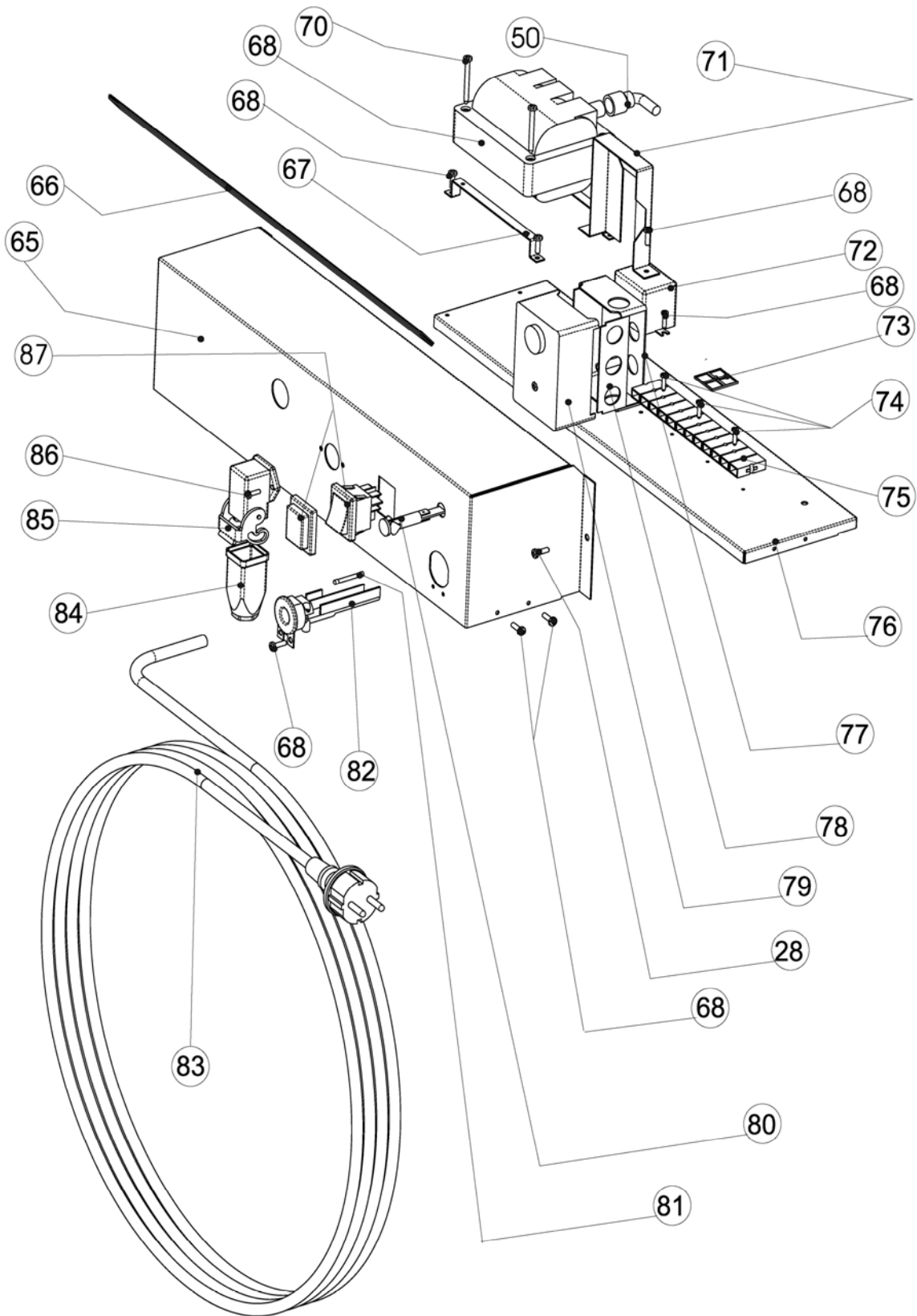
MODEL 225 CEE MOTOR PUMP FAN

PARTS LIST

Key No.	Part number	Description
6	4110.124	SCREW TEFR 4,8X13 WITH TIP ZNB
29	4031.160	CONNECTOR
30	4111.050	FUEL PIPE 6MM POMP-TANK
33	4111.273	CONNECTION
42	4111.240	NOZZLE 1,25 GPH 60°S
43	4111.235	BURNER HEAD BODY
44	4160.615	SPARK PLUG GASKET
45	4031.047	OVERHEAT THERMOSTAT
46	4161.956	SCREW TCC 3,9X13
47	4031.045	COOL-OFF THERMOSTAT
48	4100.526	SPARK PLUG GASKET
49	4101.846	SPARK PLUG
50	4110.971	SPARK PLUG CONNECTOR L=850
51	4111.225	FUN
52	4111.224	MOTOR 500W 230V
53	4111.104	NUT M6
54	4111.081	POMP CONNECTOR
55	4110.963	POWER CORD. ELETTRIVALV. L=1000MM
56	4111.042	PUMP
57	4111.274	CONNECTION
58	4111.049	BRANCH TUBE D.4X0.75 L=850
59	4161.140	CONNECTOR 90 DGR M.M. 1/8"
60	4111.044	SCREW TE M5X16
61	4111.226	MOTOR SUPPORT
62	4110.970	CONNECTOR CORD FOR PHOTOCELL
63	4111.237	PHOTOCELL
64	4111.064	PHOTOCELL SEPARATION

MASTER DIRECT OIL HEATERS

MODEL 225 CEE ELECTRIC ASSEMBLY ILLUSTRATED PARTS BREAKDOWN

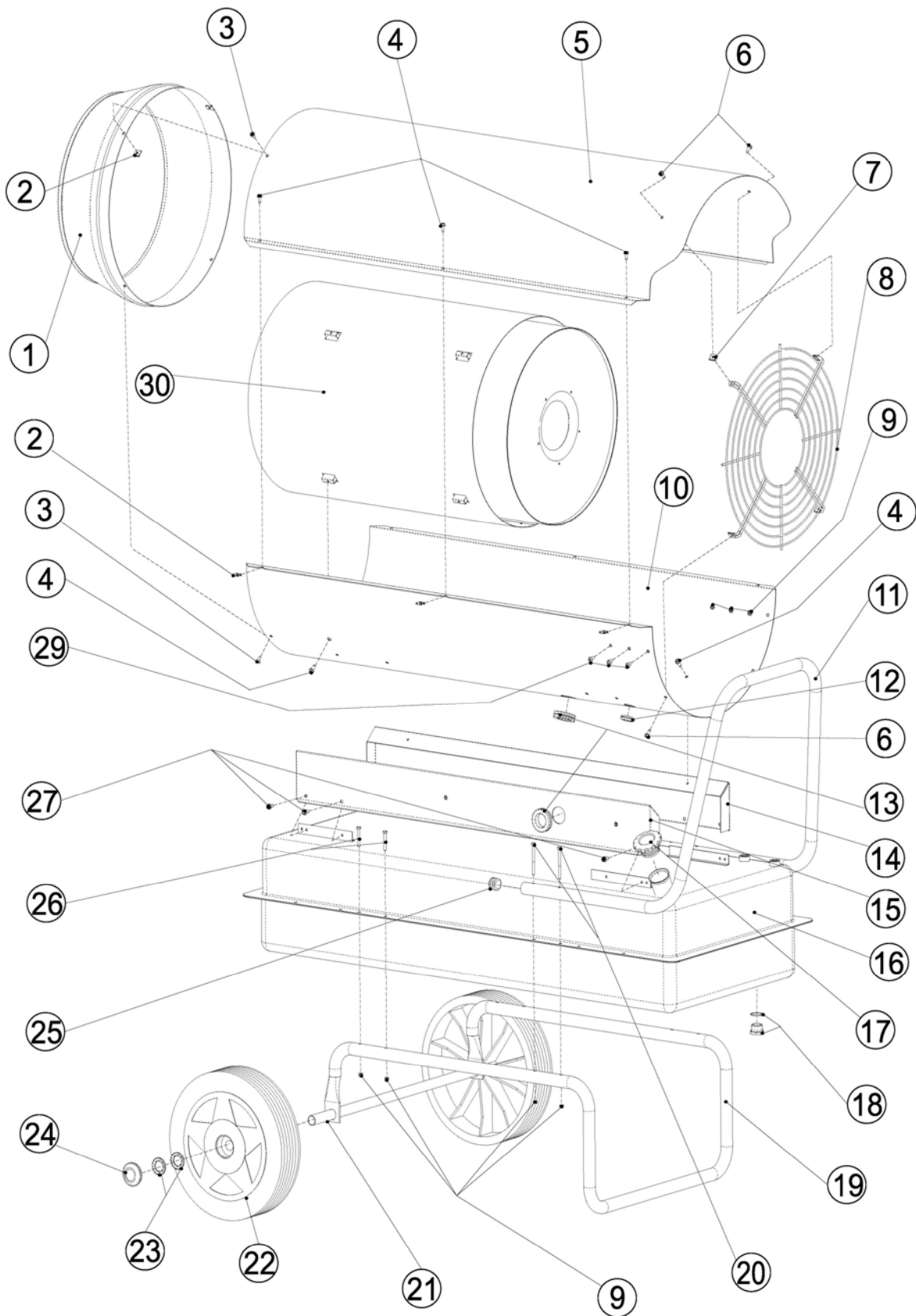


MASTER DIRECT OIL HEATERS

MODEL 225 CEE ELECTRIC ASSEMBLY

PARTS LIST

Key No.	Part number	Description
28	4160.995	SCREW TCC M5X10
50	4110.971	SPARK PLUG CONNECTOR L=850
65	4111.036	ELECTR. COMP. DRAWER
66	4111.270	GASKET "U"
67	4111.030	BRACKET, TRANSFORMER
68	4160.969	SCREW TCC 3,5X6,5
69	4110.965	TRANSFORMER
70	4160.994	SCREW TCC 3,5X38
71	4111.031	BRACKET, PC-BOARD SATRONIC
72	4111.032	RELAY FINDER
73	4111.051	PLASTIC BLOCKWIRE LEGRAND
74	4111.034	SCREW TCC 2,9X13
75	4111.033	TERMINAL BOARD FASTON
76	4111.028	BASE
77	4110.969	BASE (S98N7) PER TF974
78	4110.967	SUPPORT PG PHOTOCCELL
79	4110.968	CONTROL BOX BASE
80	4111.039	PILOT LAMP
81	4111.040	FUSE 10A 6,3X32MM
82	4111.038	BLOCKWIRE
83	4111.153	POWER CORD
84	4111.118	KIT PLUG
85	4111.119	KIT SOCKET
86	4160.604	SCREW TCC M3X10
87	4160.637	SWITCH WITH COVER
not shown	4111.120	KIT CABLES BASE PRE-ASS. B220/225/354/355

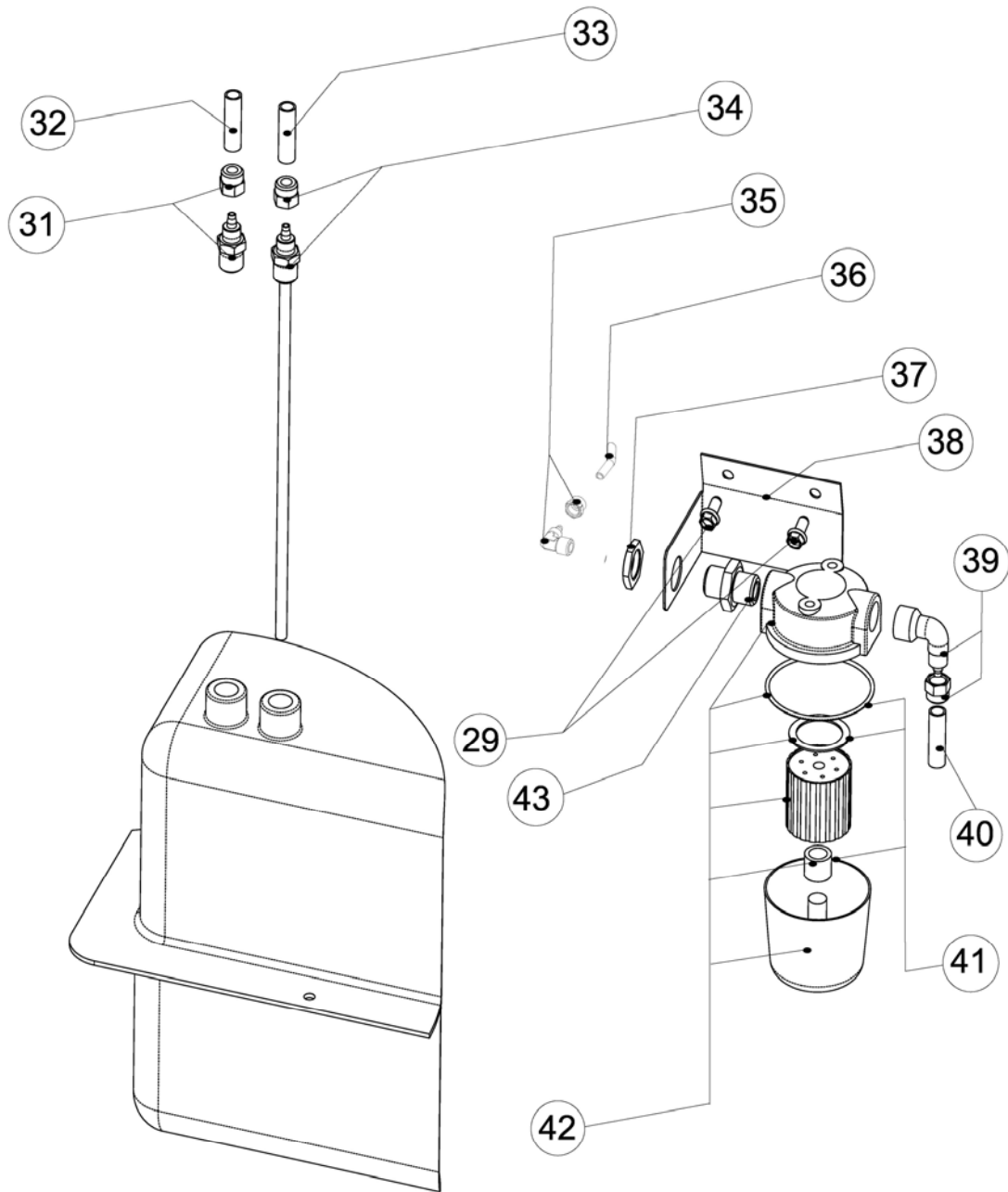


MASTER DIRECT OIL HEATERS

MODEL 355 CEE BODY

PARTS LIST

Key No.	Part number	Description
1	4111.234	OUTLET CONE
2	4104.170	CLIP NUTS
3	4160.607	SCREW TCC 4,8X9,5
4	4109.590	SCREW TEFR 4,8X13 W/OUT TIP
5	4110.987	UPPER BODY
6	4110.163	SCREW TE F/R 4,8X13
7	4111.241	DOUBLE PLATE FOR SCREWS
8	4110.975	REAR INLET GRILL
9	4110.143	NUT M5 HEXAGONAL
10	4110.988	LOWER BODY
11	4111.312	FRAME HANDLE
12	4160.646	BUSHING NYLON
13	4111.056	BUSHING PVC BLACK
14	4110.990	BASE RIGHT
15	4111.054	BASE LEFT
16	4110.961	FUEL TANK
17	4110.962	TANK PLUG BLACK
18	4031.013	DRAIN PLUG
19	4111.310	FRAME BEARING
20	4111.078	SCREW TE M5X60
21	4111.311	AXLE WHEEL
22	4110.978	WHEEL BLACK D.300
23	4111.072	WHEEL HOLDER 20 mm
24	4110.129	PLUG WHEEL BLACK
25	4111.057	PLUG PVC BLACK D.25
26	4111.077	SCREW TE M5X35
27	4110.517	SCREW TE F/R 5,5X13
29	4160.995	SCREW TCC M5X10
30	4110.991	COMBUSTION CHAMBER COMPLETE

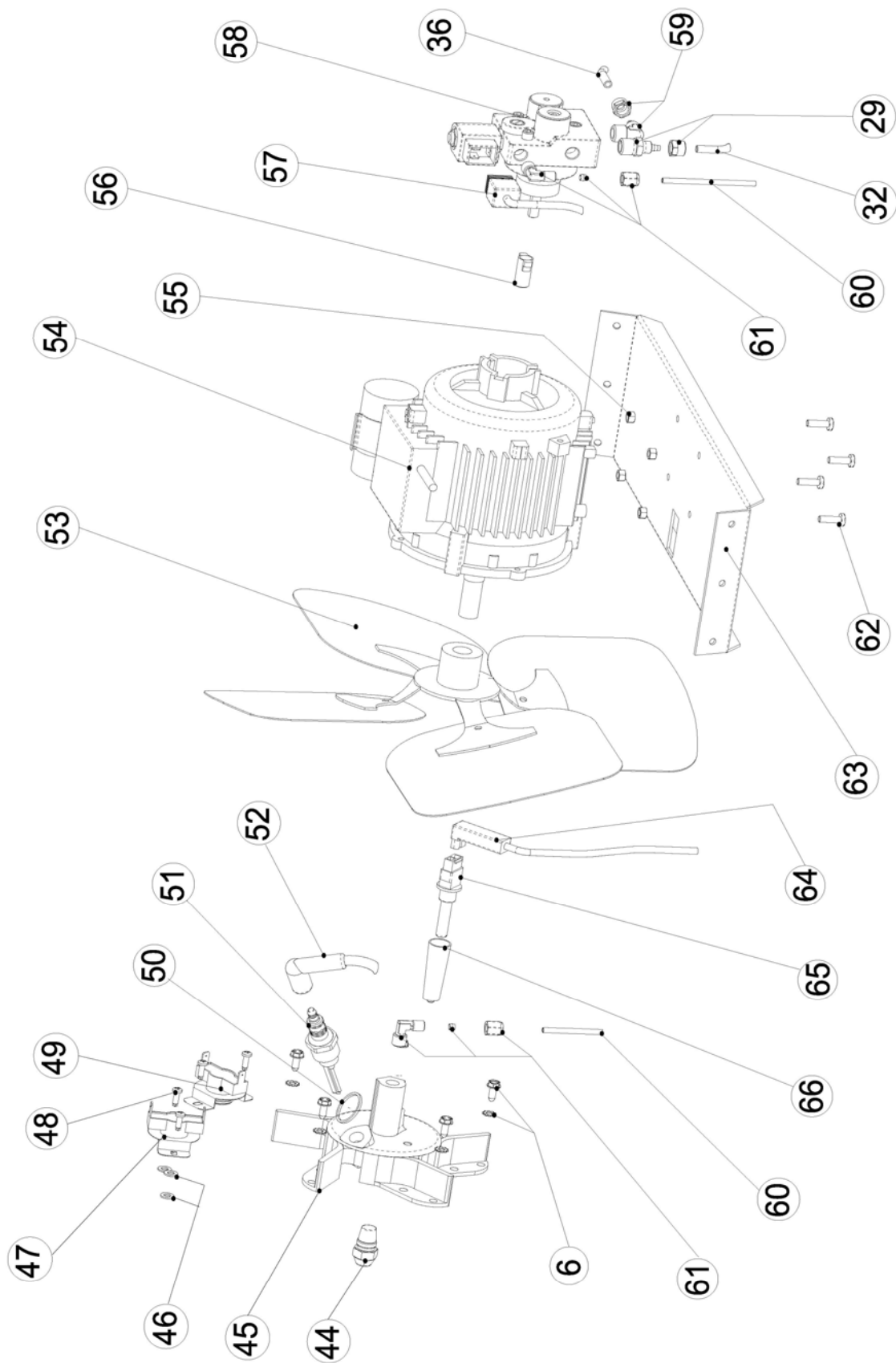


MASTER DIRECT OIL HEATERS

MODEL 355 CEE FILTER

PARTS LIST

Key No.	Part number	Description
29	4160.995	SCREW TCC M5X10
31	4031.160	CONNECTOR
32	4111.050	FUEL PIPE 6MM POMP-TANK
33	4111.026	FUEL PIPE 6MM TANK-FILTER
34	4031.148	PIPE CONN. 1/4" MX6
35	4111.273	CONNECTION
36	4111.043	FUEL PIPE 6MM FILTER-POMP
37	4031.800	NUT 3/8"X5 BRASS
38	4111.046	FILTER SUPPORT BLACK
39	4031.803	CONNECTION
40	4111.026	FUEL PIPE 6MM TANK-FILTER
41	4111.116	KIT FILTER PACKINGS
42	4111.045	FILTER COMPLETE
43	4031.802	DUBBLE SCREW



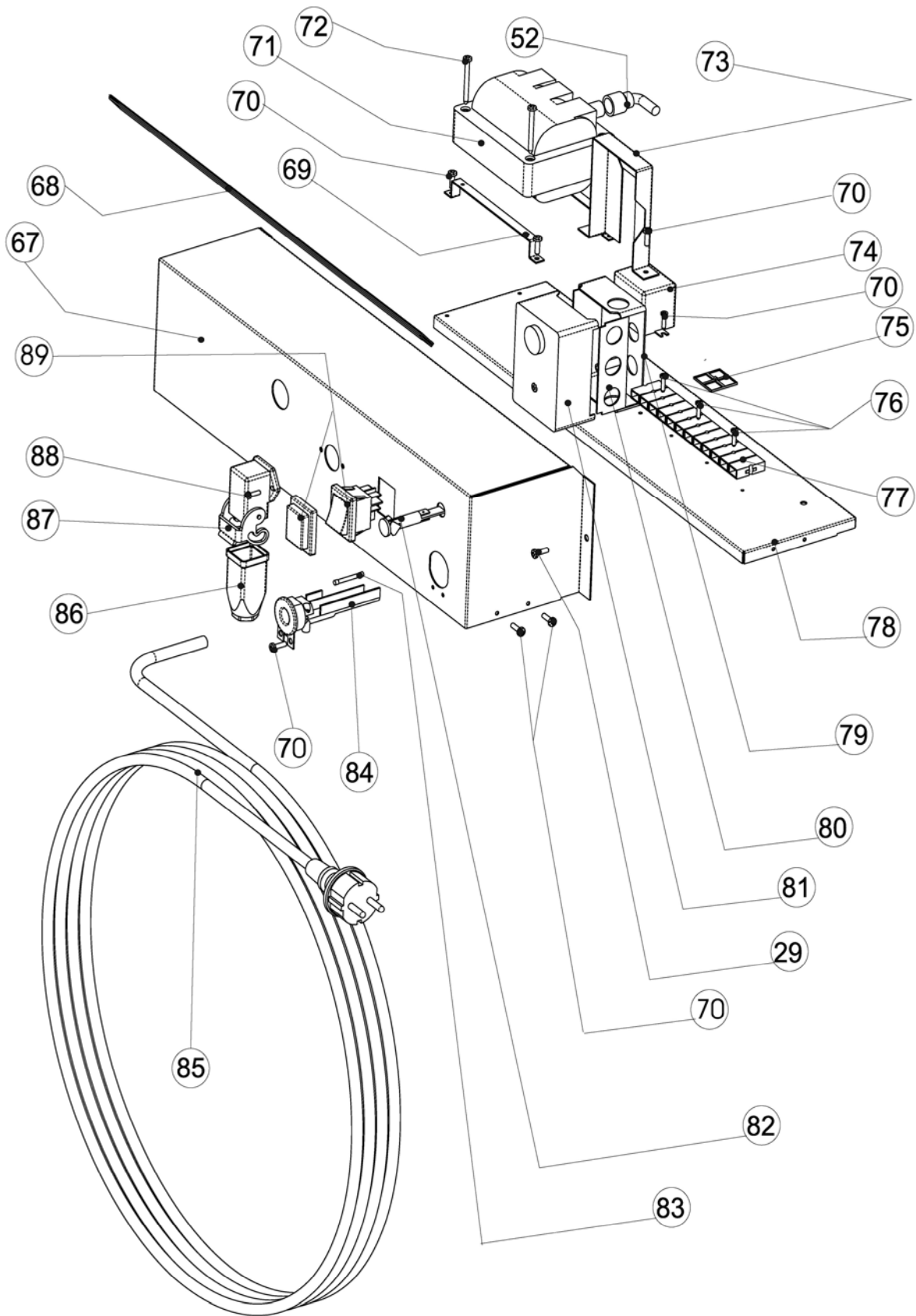
MASTER DIRECT OIL HEATERS

MODEL 355 CEE MOTOR PUMP FAN

PARTS LIST

Key No.	Part number	Description
6	4110.163	SCREW TE F/R 4,8X13
29	4160.995	SCREW TCC M5X10
32	4111.050	FUEL PIPE 6MM POMP-TANK
36	4111.043	FUEL PIPE 6MM FILTER-POMP
44	4111.134	NOZZLE 1,25 GPH 60°S
45	4111.235	BURNER HEAD BODY
46	4160.615	SPARK PLUG GASKET
47	4031.047	OVERHEAT THERMOSTAT
48	4161.956	SCREW TCC 3,9X13
49	4031.045	COOL-OFF THERMOSTAT
50	4100.526	SPARK PLUG GASKET
51	4101.846	SPARK PLUG
52	4110.971	SPARK PLUG CONNECTOR L=850
53	4110.974	FUN
54	4110.973	MOTOR 750W 230V
55	4111.104	NUT M6
56	4111.081	PUMP CONNECTOR
57	4110.963	POWER CORD. ELETTRIVALV.
58	4111.042	PUMP
59	4111.274	CONNECTION
60	4111.049	BRANCH TUBE D.4X0.75 L=850
61	4161.140	CONNECTOR
62	4111.044	SCREW TE M5X16
63	4110.977	MOTOR SUPPORT
64	4110.970	CONNECTOR CORD FOR PHOTOCELL
65	4111.237	PHOTOCELL
66	4111.064	PHOTOCELL SEPARATION

MODEL 355 CEE ELECTRIC ASSEMBLY ILLUSTRATED PARTS BREAKDOWN

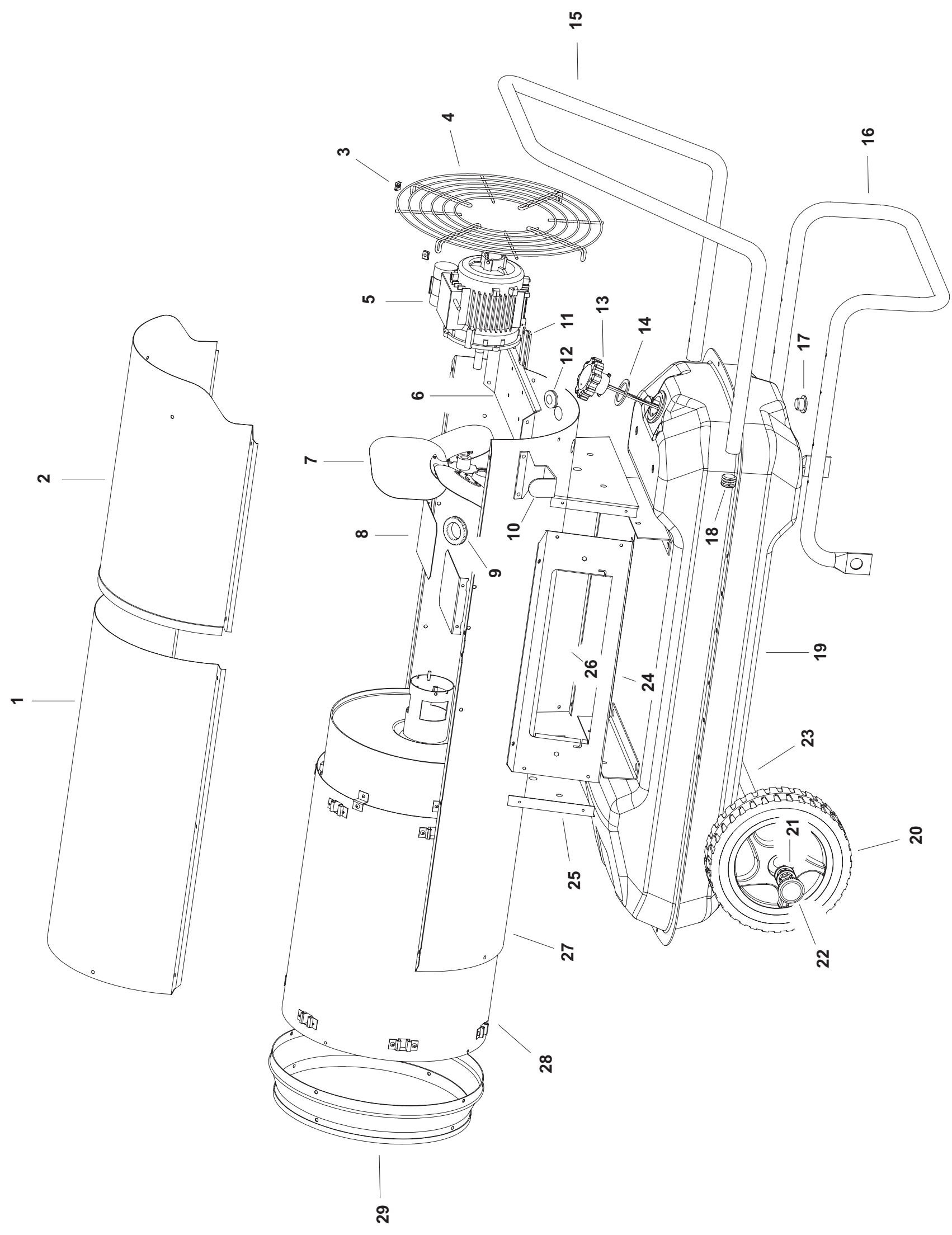


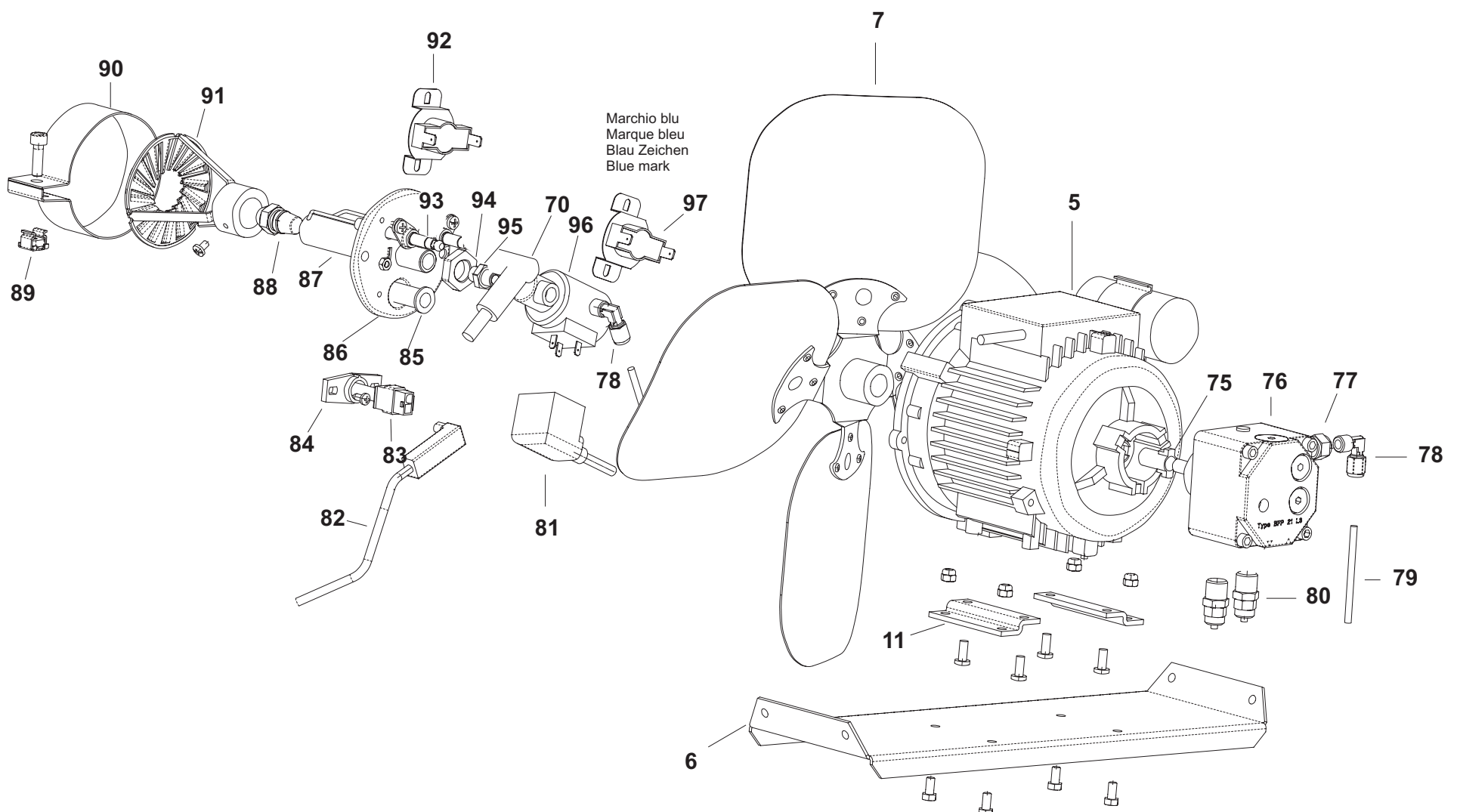
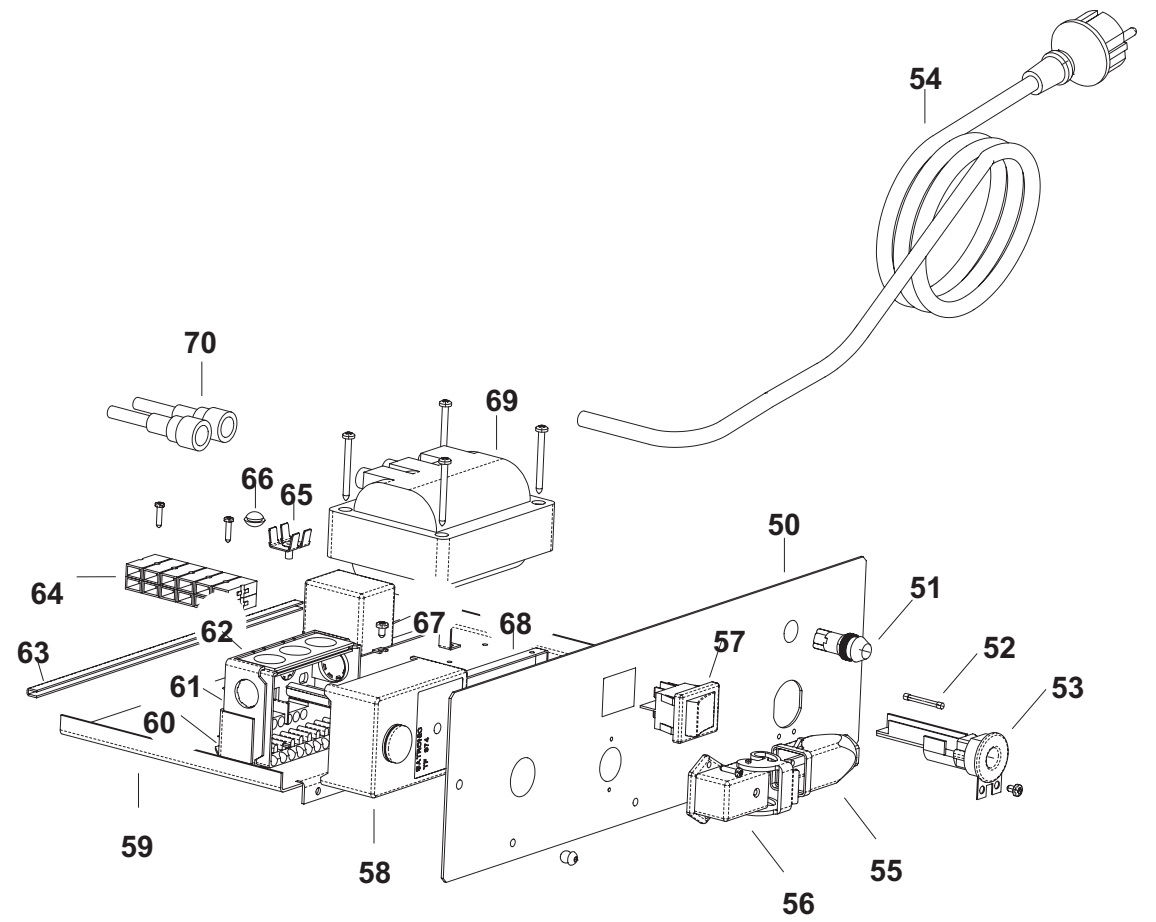
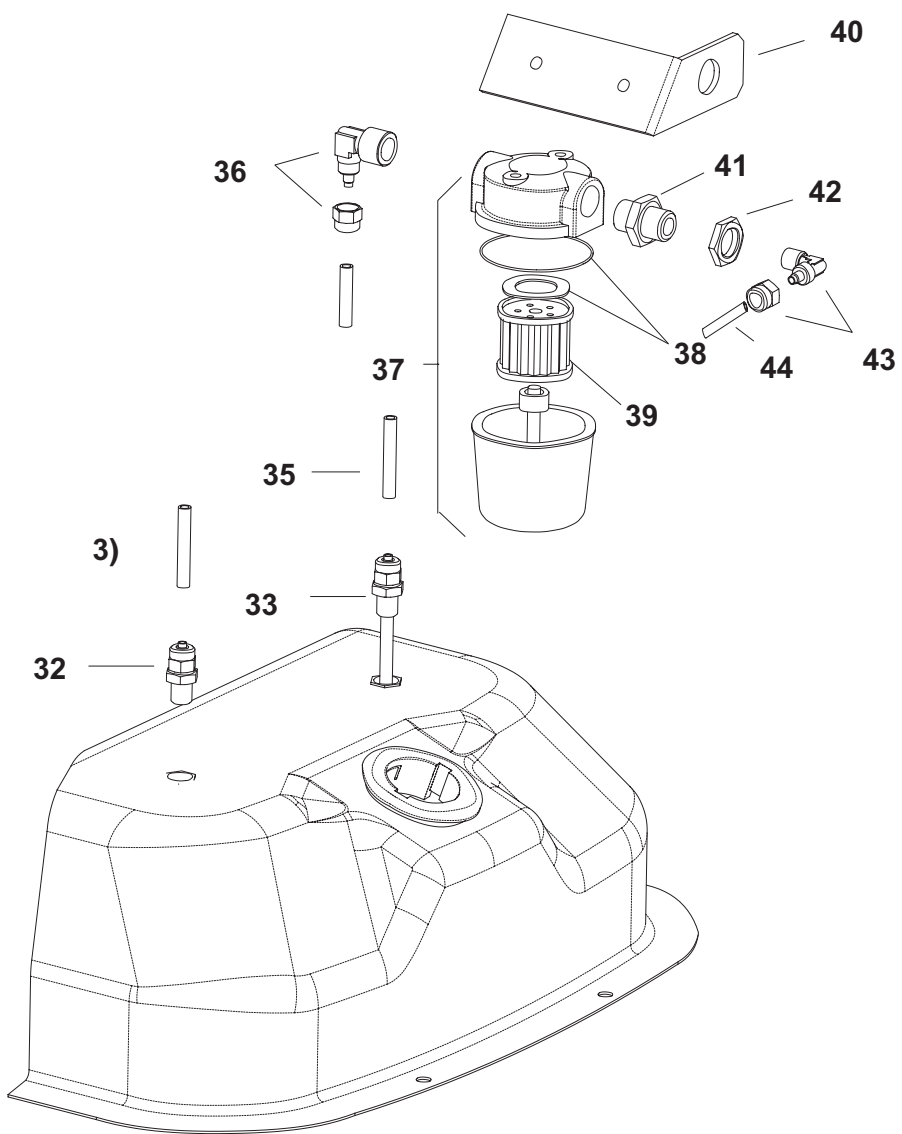
MASTER DIRECT OIL HEATERS

MODEL 355 CEE ELECTRIC ASSEMBLY

PARTS LIST

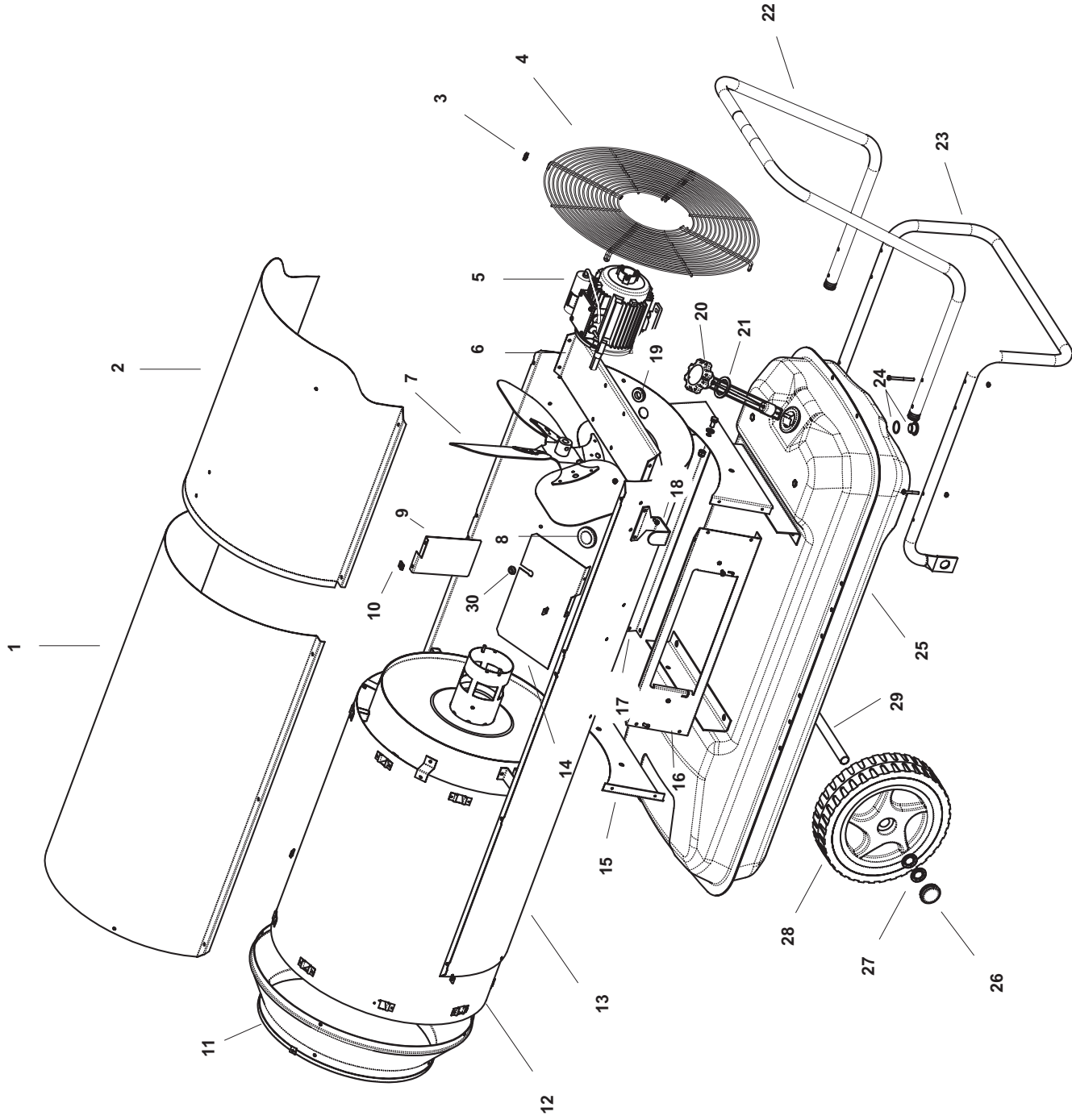
Key No.	Part number	Description
29	4160.995	SCREW TCC M5X10
52	4110.971	SPARK PLUG CONNECTOR L=850
67	4111.036	ELECTR. COMP. DRAWER
68	4111.270	GASKET "U"
69	4111.030	BRACKET, TRANSFORMER
70	4160.969	SCREW TCC 3,5X6,5
71	4110.965	TRANSFORMER
72	4160.994	SCREW TCC 3,5X38
73	4111.031	BRACKET, PC-BOARD SATRONIC
74	4111.032	RELAY FINDER
75	4111.051	PLASTIC BLOCKWIRE LEGRAND
76	4111.034	SCREW TCC 2,9X13
77	4111.033	TERMINAL BOARD FASTON
78	4111.028	BASE
79	4110.969	BASE FOR TF974
80	4110.967	SUPPORT PG PHOTOCELL
81	4110.968	CONTROL BOX BASE
82	4111.039	PILOT LAMP
83	4111.040	FUSE 10A 6,3X32MM
84	4111.038	BLOCKWIRE
85	4111.153	POWER CORD
86	4111.118	KIT PLUG
87	4111.119	KIT SOCKET
88	4160.604	SCREW TCC M3X10
89	4160.637	SWITCH WITH COVER
not shown	4111.120	KIT CABLES BASE PRE-ASS. B220/225/354/355

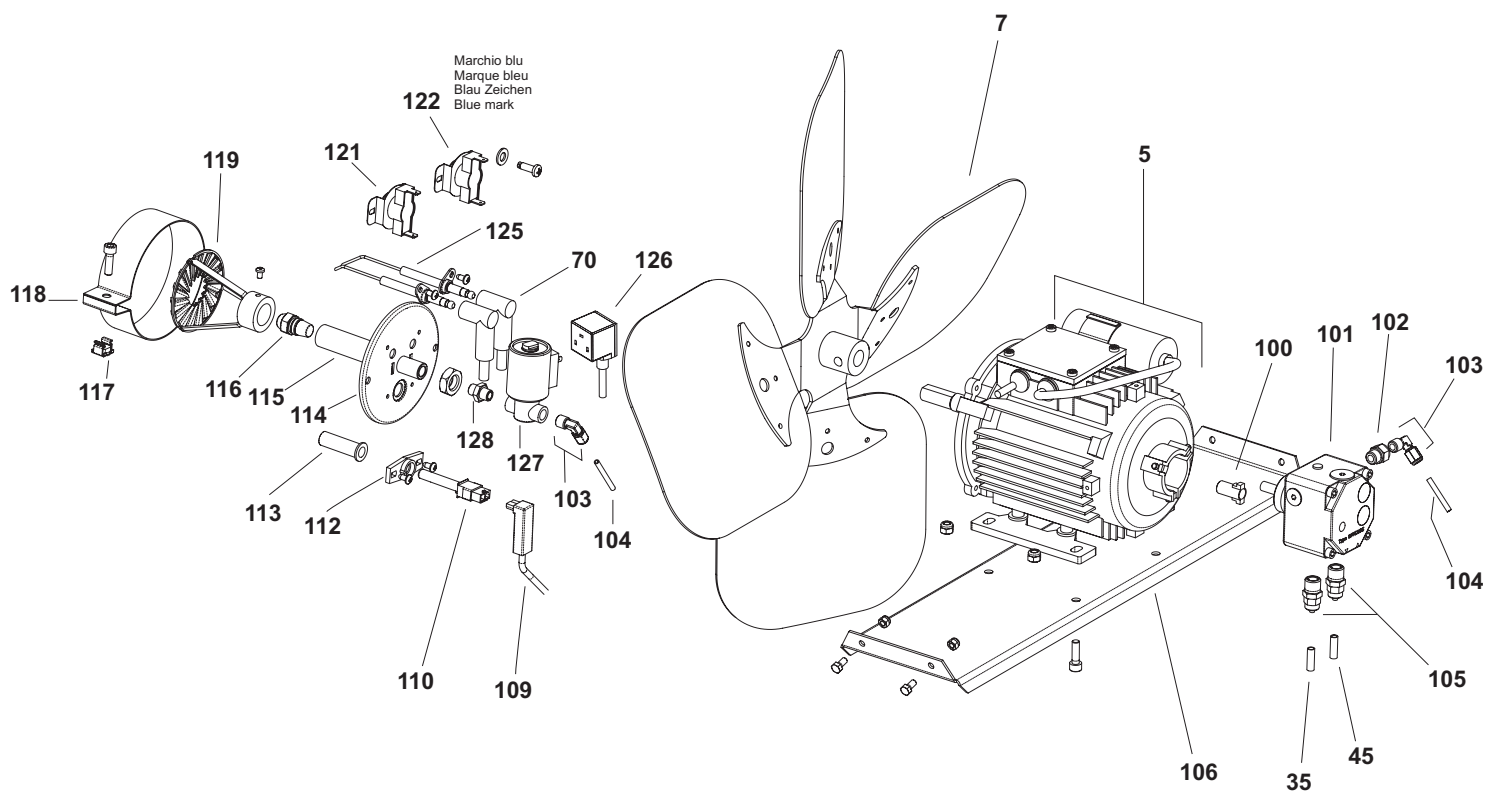
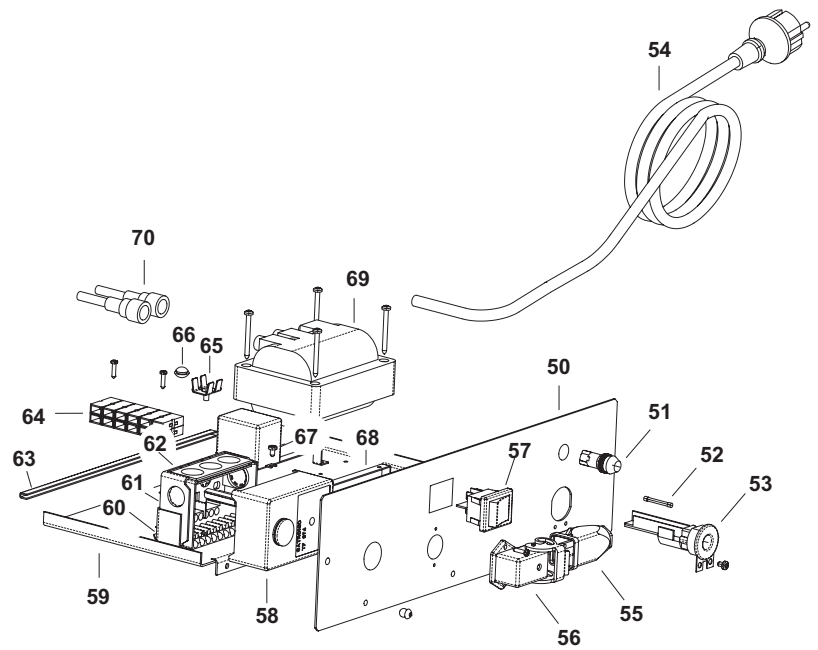
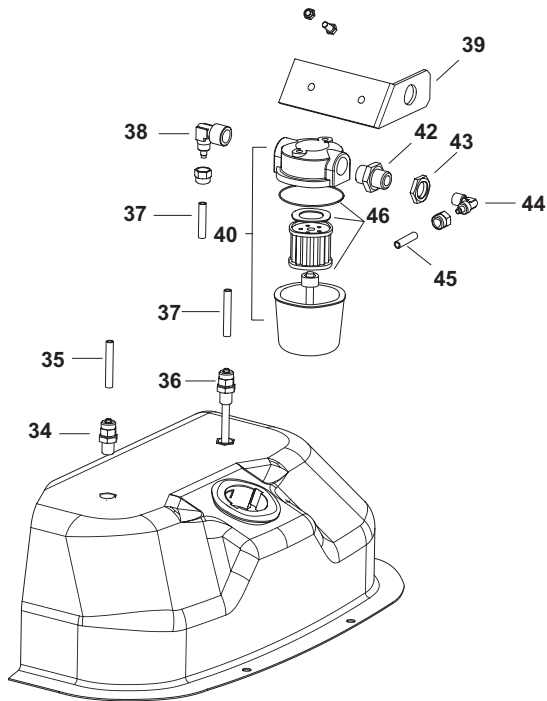




Key No.	Part number	Description
1	S/R	Upper body
2	S/R	Upper body mobile
3	4111.241	Elastic plate
4	4032.557	Inlet grille
5	4032.702	Motor 2P 450W
6	S/R	Motor flange support
7	4111.689	Fan
8	4032.554	Air flap
9	4111.056	Protection cable
10	S/R	Power cord hook
11	4032.519	Motor flange
12	4160.646	Protection cable
13	4032.475	Fuel level probe
14	4032.537	Tank plug seal
15	4032.568	Handle Frame
16	4032.564	Foot Frame
17	4100.632	Drain plug
18	4111.057	Plug
19	4032.543	Fuel tank
20	4032.094	Wheel Ø 250
21	4111.072	Wheel holder Ø 20
22	4111.480	Wheel plug
23	4032.566	Axle
24	S/R	Electr. componets drawer panel
25	S/R	Base
26	S/R	Side Panel
27	S/R	Lower body
28	4111.653	Combustion chamber
29	4032.544	Outlet cone
32	4032.488	Conn. straight M10
33	4032.092	Pipe connection M10
35	4032.434	Oil pipe 6mm tank-filter
36	4031.803	Connection 90° 3/8"
37	4111.045	Filter with cartidge 3/8"
38	4111.116	OR KIT filter
39	4031.015	Filter cartridge
40	4032.437	Filter support
41	4031.802	Double screw
42	4031.800	Conn. straight 3/8" Mx5
43	4111.273	Connection 90° 1/8"
44	4032.435	Oil pipe 6mm filter-pump
50	S/R	Electr. components drawer
51	4117.058	Pilot lamp 230V

Key No.	Part number	Description
52	4111.040	Fuse (6,3x32) 10 A
53	4111.038	Cable fastener
54	4111.153	Power cord
55	4111.118	Thermostat plug
56	4111.119	Plate plug
57	4160.637	Switch
58	4110.968	Control box Satronic
59	4032.448	Electr. components base
60	4032.499	Control box support
61	4110.969	Control box base
62	4110.967	Support PG photocell
63	4110.155	Edge Liner
64	4111.033	Terminal board
65	4160.639	Pop rivet with termin. 4 way
66	4032.450	Plastic pin
67	4111.032	Relay Finder
68	4111.030	Transformer support
69	4031.035	Transformer
70	4110.971	H.T. cable
75	4111.081	Coupling Simel
76	4032.093	Pump Danfoss
77	4161.501	Nut for bicone 1/8
78	4161.140	Connection 90° 1/8"
79	4111.049	Oil supply pipe
80	4031.160	Conn. Straight 1/4"
81	4032.110	Power cord Solenoid spool
82	4110.970	Photocell conn. cable.
83	4110.966	Photocell
84	4111.076	Photocell block bracket
85	4032.406	Photocell support
86	4032.574	Burner flange
87	4032.403	Nozzle support
88	4031.027	Nozzle 1,25 GPH 80° S
89	4032.454	Nut M6
90	4032.545	Air regulatoin flap
91	4032.570	Turbo disc
92	4031.045	Fan Thermostat
93	4031.095	Electrode
94	4032.407	Conn. straight Mx14x6
95	4160.968	Conn. straight 1/8"
96	4102.535	Solenoid spool 230V/50Hz
97	4031.047	Limit Thermostat





Key No.	Part number	Description
1	4111.604	Upper body
2	4032.458	Upper body mobile
3	4111.241	Elastic plate Ø 4,2
4	4032.465	Inlet grille
5	4032.431	Motor 4PW 230V/50 IP44
6	4032.463	Motor flange support
7	4032.430	Fan Ø 500mm-27°
8	4111.056	Protection cable
9	4032.518	Central Air flap
10	4104.170	Clip nut
11	4032.452	Outlet cone
12	4111.638	Combustion chamber
13	4032.460	Lower body
14	4032.462	Air flap
15	4032.470	Base
16	4032.466	Electr. componets drawer panel
17	4032.468	Side Panel
18	4032.536	Power cord hook
19	4160.646	Protection cable
20	4032.475	Fuel level probe L=241,3
21	4032.537	Tank plug seal
22	4032.480	Handle frame
23	4032.476	Foot frame
24	4100.632	Drain plug
25	4032.439	Fuel tank
26	4111.480	Wheel plug
27	4111.072	Wheel holder Ø 20
28	4110.978	Wheel
29	4032.478	Axle
30	4101.151	Protection cable
34	4032.488	Conn. straight M10
35	4032.436	Fuel pipe pump-tank
36	4032.092	Pipe connection M10
37	4032.434	Fuel pipe tank-filter
38	4031.803	Connection 90° 3/8"
39	4032.437	Filter support
40	4111.045	Filter with cartidge 3/8"
41	4031.015	Filter cartridge
42	4031.802	Double screw
43	4031.800	Conn. straight 3/8" Mx5
44	4111.273	Connection 90° 1/8"
45	4032.435	Fuel pipe filter-pump
46	4111.116	OR KIT filter
50	4032.466	Electr. componets drawer panel
51	4117.058	Pilot lamp 230V
52	4111.040	Fuse (6,3x32) 10 A

MASTER DIRECT OIL HEATERS

MODEL B 360

PARTS LIST

Key No.	Part number	Description
53	4111.038	Cable fastener
54	4111.153	Power cord 3mt
55	4111.118	Thermostat plug
56	4111.119	Plate plug
57	4160.637	Switch 16A
58	4110.968	Control box Satronic
59	4032.448	Electr. Components base
60	4032.499	Control box support
61	4110.969	Control box base
62	4110.967	PG plate
63	4110.155	Edge Liner
64	4111.033	Terminal board
65	4160.639	Pop rivet with termin. 4 way
66	4032.450	Plastic pin
67	4111.032	Relay Finder
68	4111.030	Transformer support
69	4031.035	Transformer
70	4110.971	H.T. cable
100	4111.081	Coupling Simel
101	4032.432	Pump Danfoss
102	4161.501	Nut for bicone 1/8
103	4161.140	Connection 90° 1/8"
104	4032.433	Oil supply pipe
105	4031.160	Conn. Straight 1/4"
106	4032.463	Motor flange support
109	4110.970	Photocell conn. cable.
110	4110.966	Photocell
112	4111.076	Photocell block bracket
113	4032.406	Photocell support
114	4032.405	Burner flange Ø 101,6mm
115	4032.403	Nozzle support
116	4111.143	Nozzle 2,00 GPH 80°H
117	4032.454	Nut M6
118	4032.453	Air regulatoin flap
119	4032.570	Turbo disc
121	4031.045	Fan Thermostat
122	4031.047	Limit Thermostat
125	4031.095	Electrode
126	4032.110	Power cord Solenoid spool
127	4102.535	Solenoid spool 230V/50Hz
128	4160.968	Conn. straight 1/8"

Indirect oil / kerosene heaters



Heater capacity: 18 / 23 / 33 / 47 / 81 kW

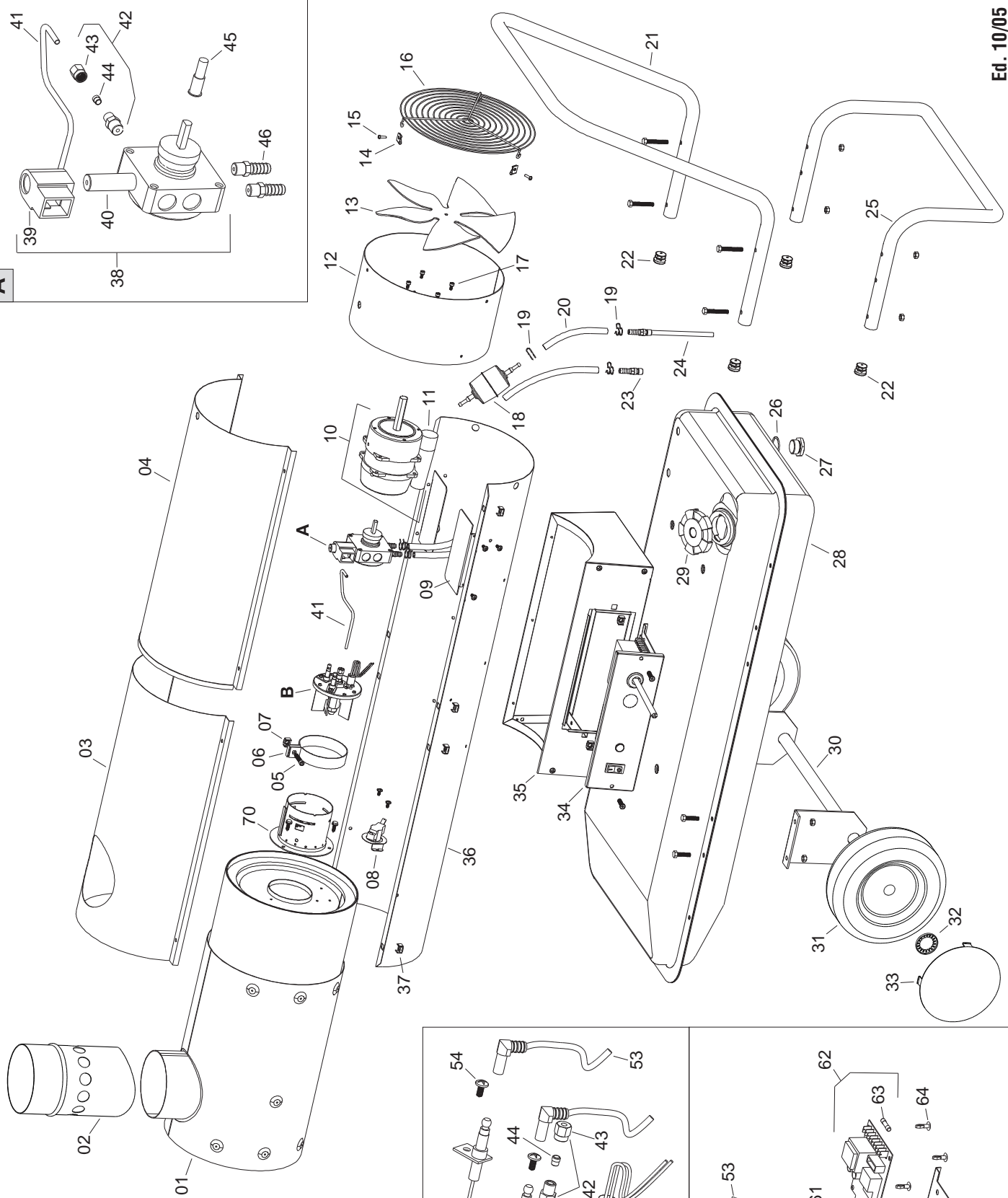
Models

BV 70 / BV 80 / BV 100 / BV160 / BV 280

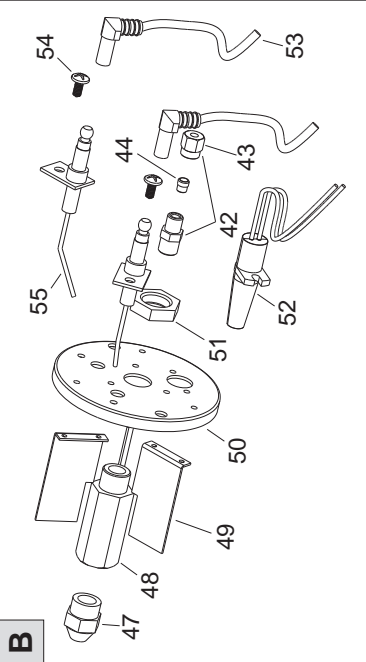
BV 110 / BV 170 / BV 290

BV 70 E

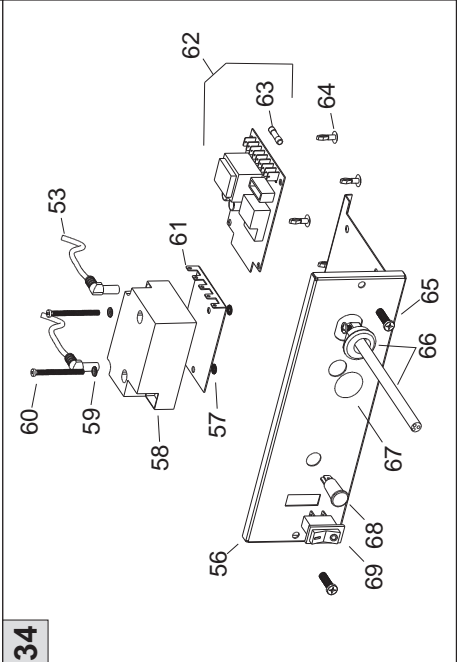
A



B



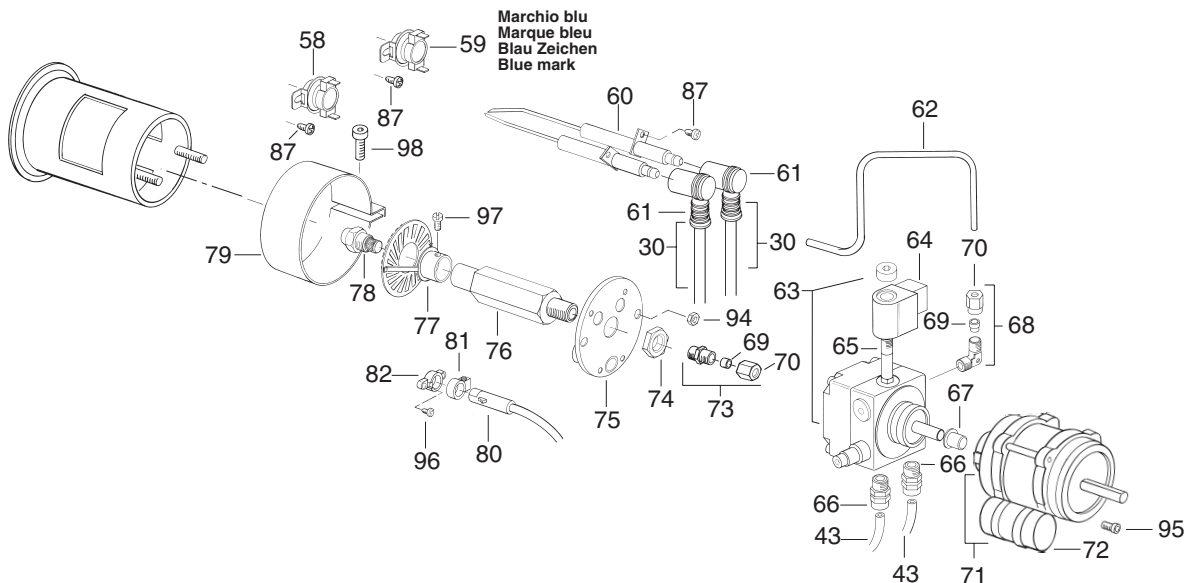
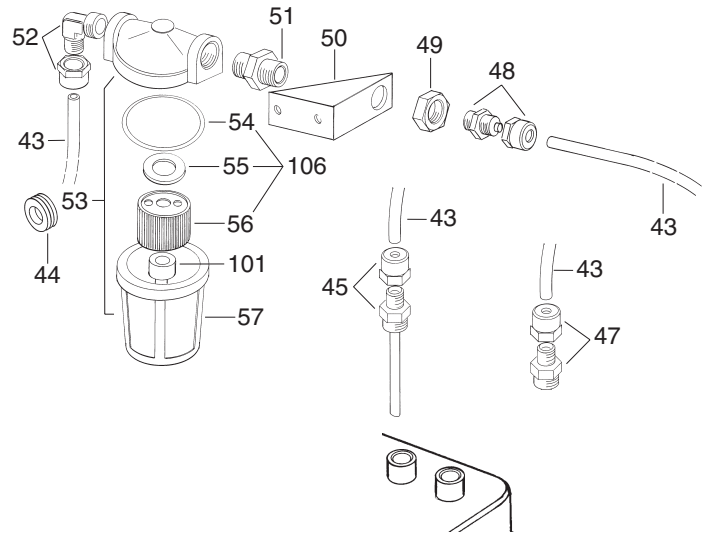
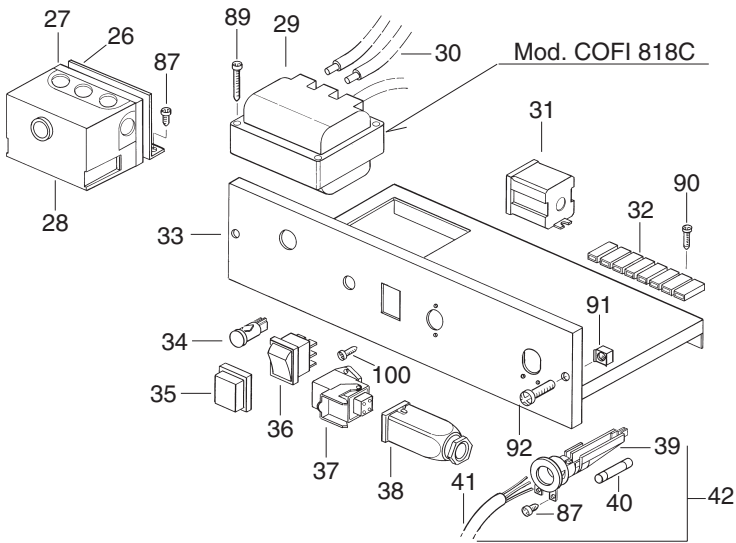
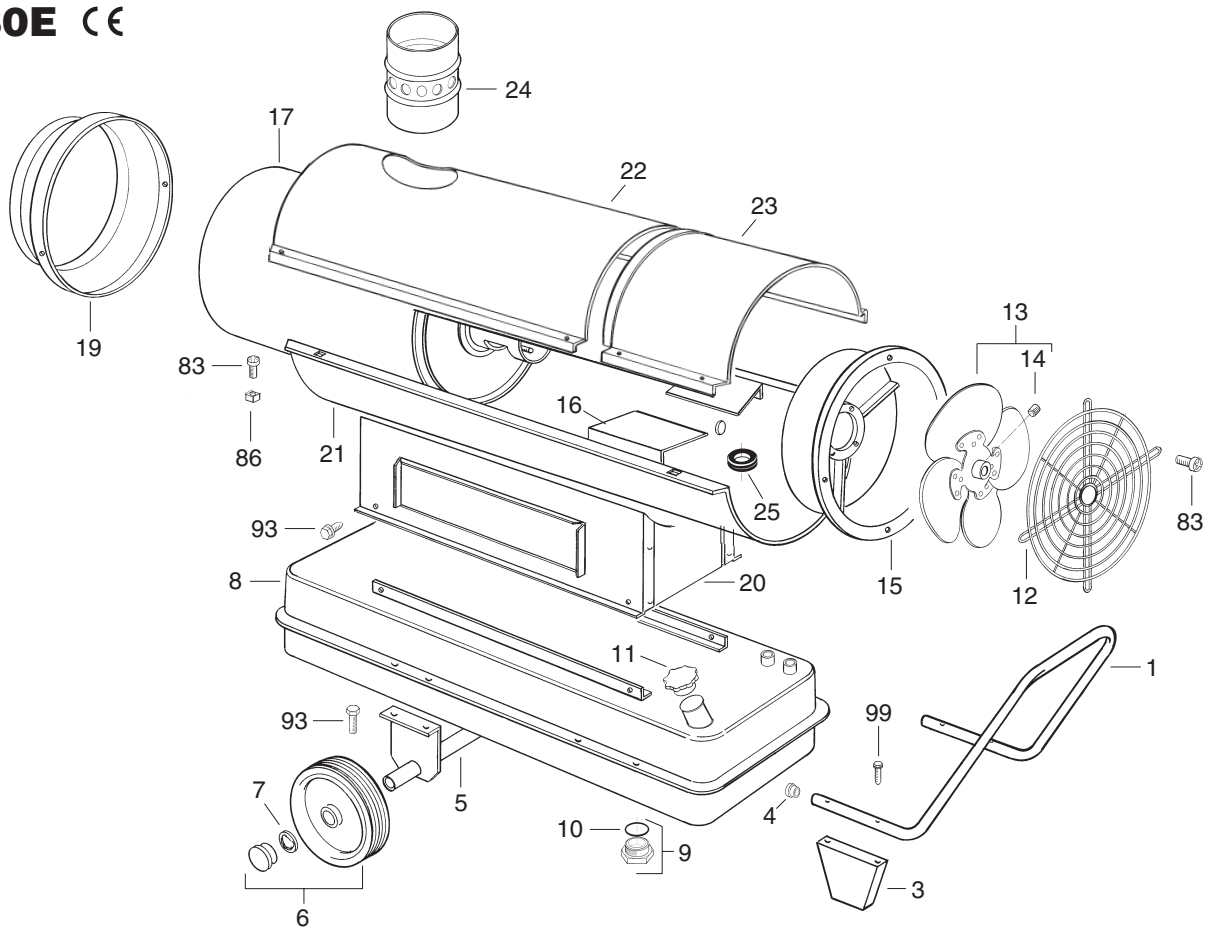
34



A5GH9F-B8-F97H-C-@HEATERS BV 70

Pos.	Code NR	Description	Pos.	Code NR	Description
01	4031.520	Combustion chamber	37	S/R	Nut M5
02	4031.521	Chimney	38	4031.533	Pump Danfoss BFP01
03	S/R	Upper body	39	4031.019	Solenoid spool BFP Danfoss
04	S/R	Upper body	40	4031.195	Solenoid valve Danfoss
05	S/R	Screw TCEI M6x25	41	4031.534	Oil supply pipe Ø 4
06	4031.522	Air regulatoin flap	42	4031.026	Conn. Straight 1/8" Mx6
07	4031.215	Nut M6	43	4031.110	Nut for bicone Ø 4
08	4031.045	Thermostat	44	4031.115	Bicone Ø 4
09	S/R	Air flap	45	4031.060	Coupling K1
10	4031.523	Motor 110W with condenser	46	4031.535	Conn. Straight D8 1/4"
11	4031.218	Condenser 4 µF	47	4031.536	Nozzle 0.40 GPH 80° S
12	S/R	Motor flange	48	4031.537	Nozzle support
13	4031.524	Fan Ø 235 30°	49	S/R	Air flap for burner
14	4104.170	Elastic plate U42-0,32A	50	4031.546	Burner flange Ø 80mm
15	4032.039	Screw TC 8 x 1/2"	51	S/R	Nut M14
16	4031.525	Inlet grille	52	4031.538	Ld ph. unit
17	S/R	Screw TCEI M4 x 10	53	4031.539	H.T. Cable connect. 90°
18	4031.526	Filter with cartidge	54	4161.434	Screw TC 8x3/8"
19	4031.527	Clamp	55	4031.540	Electrode
20	4031.528	Tube Ø 8	56	S/R	Electr. componets drawer
21	4031.500	Handle	57	S/R	Washer diam. 5
22	S/R	Plug	58	4031.541	Transformer H.T. 230V
23	4031.529	Pipe connection	59	S/R	Washer Ø9 x Ø4 x 1
24	4031.530	Oil suction pipe	60	S/R	Screw TC M4 x 45
25	4031.036	Support	61	4031.542	Earth connector
26	S/R	Drain plug OR	62	4031.543	PC Board
27	4031.013	Drain plug	63	4031.736	Fuse (5x20) 4A
28	4031.531	Fuel tank	64	4031.544	Rubber support
29	4031.532	Tank plug	65	S/R	Screw TC M5x20
30	4032.163	Axle	66	4031.547	El. wire with plug and cable fastener
31	4031.385	Wheel Ø 200 - Ø 20	67	4031.548	Rubber tap
32	4140.652	Whell holder Ø 20	68	4140.692	Pilot lamp 230V
33	4031.388	Yellow cover	69	4031.545	Switch 0 - 1
34	S/R	El. componets drawer	70	S/R	Blast Tube
35	S/R	Base			
36	S/R	Lower body			

S/R = Parts available by special request only

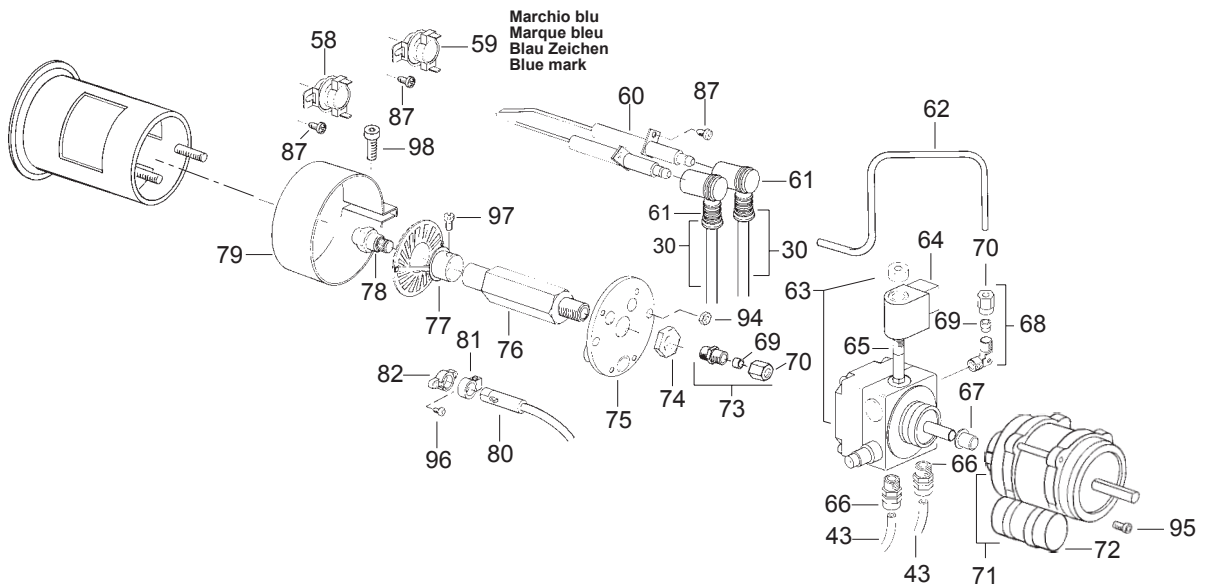
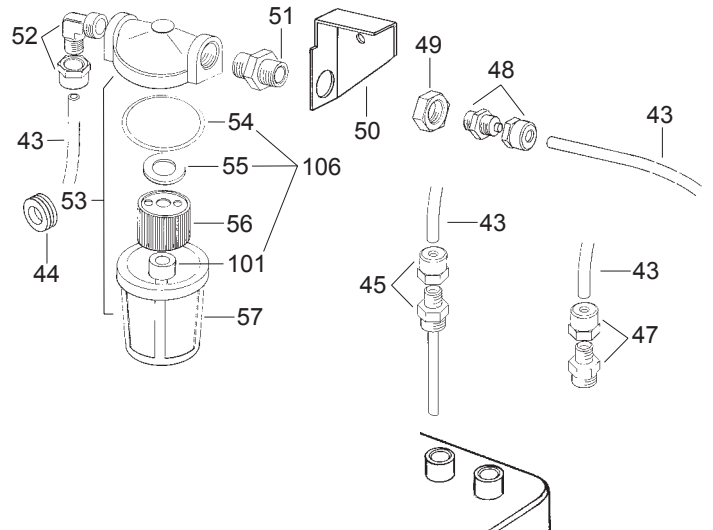
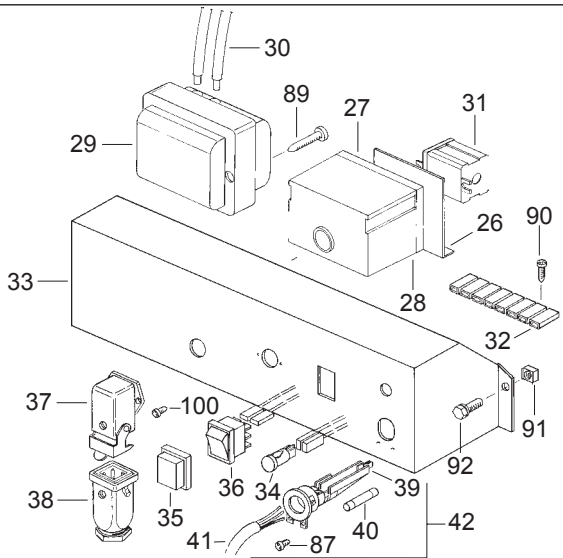
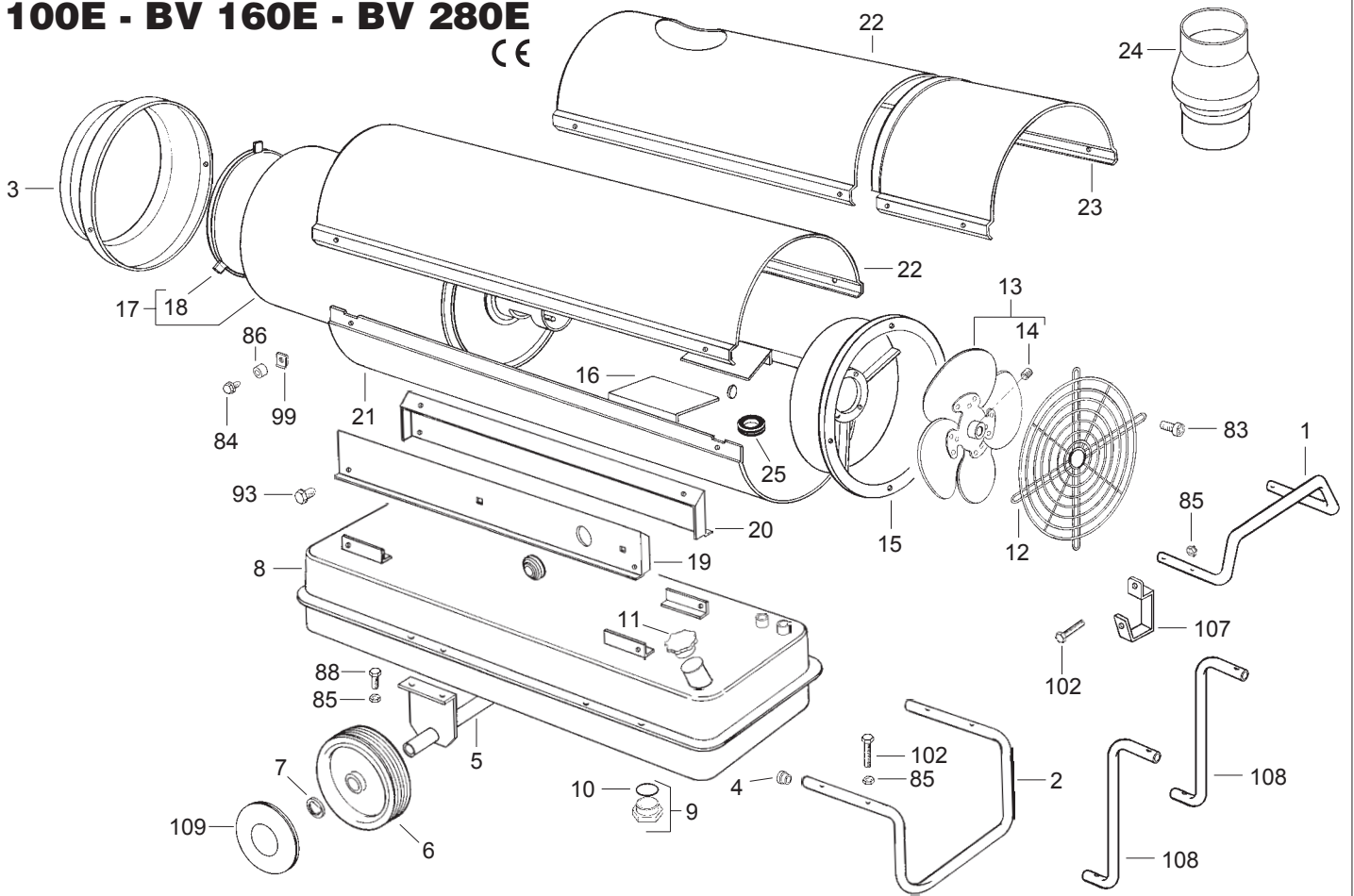


MASTER INDIRECT OIL HEATERS BV 80

Pos.	Code NR	Description	Pos.	Code NR	Description
1	4031.500	Frame	51	4031.802	Double Screw
3	S/R	Support	52	4031.803	Connection
4	S/R	Plug	53	4031.070	Filter With Cartridge 3/8"
5	S/R	Axle	54	4031.150	Filter
6	4031.133	Wheel	55	4031.075	Top Oil Filter Seal
7	4031.175	Whell Holder	56	4031.015	Filter Cartridge
8	4031.501	Fuel Tank	57	4031.180	Filter Housing
9	4031.013	Drain Plug	58	4031.045	Fan Thermostat
10	S/R	Drain Plug Or	59	4031.047	Limit Thermostat
11	4031.145	Tank Plug	60	4031.095	Electrode
12	4031.502	Grille	61	S/R	H.T. Cable Connect
13	4031.270	Fan	62	4031.106	Oil Supply Pipe
14	S/R	Screw M8X8	63	4031.197	Pump Danfoss
15	4031.503	Motor Flange	64	4031.019	Solenoid Spool
16	S/R	Right Air Flap	65	4031.195	Solenoid Valve Danfoss
16	S/R	Left Air Flap	66	4031.160	Conn. Straight 1/4" Mx6
17	4031.504	Combustion Chamber	67	4031.060	Coupling K1
19	4031.505	Outlet Cone	68	4031.096	Connection
20	4031.506	Base	69	4031.115	Bicone
21	S/R	Lower Body	70	4031.110	Nut For Bicone
22	S/R	Upper Body	71	4031.130	Motor 130W With Cond.
23	S/R	Upper Body	72	4031.165	Condenser 5 µf
24	4031.507	Chimney Ø 150	73	4031.026	Conn. Straight 1/8" Mx6
25	S/R	Protection Cable 35	74	S/R	Nut M14
26	S/R	Control Box Support	75	S/R	Burner Flange 80Mm
27	4031.010	Base	76	4031.012	Nozzle Support
28	4031.005	Control Box Landis&Gyr	77	4031.066	Diffusor
29	4031.035	Transformer 230V	78	4031.906	Nozzle 0.50 Gph 80°
30	4110.971	H.T. Cable	79	4031.196	Air Regulation Flap
31	4031.040	Relay Finder	80	4031.090	Photocell
32	S/R	Terminal Board	81	4031.009	Fixing Clamp
33	4031.508	Electr. Components	82	4031.008	Flange
34	4031.169	Drawer	83	S/R	Screw Tc M5X16
36	4160.637	Pilot Lamp 230V 50Hz	87	S/R	Screw Tc 8X3/8"
37	4031.088	Switch With Cover	89	S/R	Screw Tc 8X1"1/2"
38	4031.089	Thermostat Plug	90	S/R	Screw Tc 4X1/2"
39	S/R	Plate Plug	91	4031.215	Nut M6
40	4031.080	Cable Fastener	92	S/R	Screw Tc M6X20
41	S/R	Fuse 6A	93	S/R	Screw Te 14X1/2"
42	S/R	El. Wire With Plug Pipe	94	S/R	Nut M5
42	S/R	El. Wire With Plug And	95	S/R	Screw Tcei M4X16
43	4031.140	Cable Fastener	96	S/R	Screw Tc 6X1/2"
44	S/R	Rilsan Pipe	97	S/R	Screw Tc M4X8
45	4031.509	Protection Cable	98	S/R	Screw Tcei M6X25
47	4031.160	Connection 1/4" Mx6	99	S/R	Screw Te 14X1" 1/2"
48	S/R	Conn. Straight 1/4" Mx6	100	S/R	Screw Tc 4X3/8"
49	4031.800	Conn. Straight 1/8" Mx6	101	4031.191	Lower Oil Filter Seal
50	4031.510	Nut 3/8"X5	106	4111.116	Kit Filter
		Filter Support			

S/R = Parts available by special request only

BV 100E - BV 160E - BV 280E



MASTER INDIRECT OIL HEATERS

MODEL BV 100 E – 160 E – 280 E from 2002

PARTS LIST

Position	Code	Description	BV 100E	BV 160E	BV 280E
1	4031.905	Frame	•	•	
1	4031.899	Frame			•
2	4031.036	Frame	•	•	
2	4031.037	Frame			•
3	4031.278	Outlet cone	•	•	
3	4031.023	Outlet cone			•
4	S/R	Plug	•	•	•
5	4032.163	Axle	•	•	
5	4032.168	Axle			•
6	4031.385	Wheel Ø 200x50 Ø 20	•	•	
6	4031.386	Wheel Ø 250x55 Ø 25			•
7	S/R	Whell holder 20	•	•	
7	S/R	Whell holder 25			•
8	4031.004	Fuel tank	•	•	
8	4031.006	Fuel tank			•
9	4031.013	Drain plug	•	•	•
10	S/R	Drain plug OR	•	•	•
11	4110.962	Tank plug	•	•	•
12	4162.063	Inlet grille	•	•	
12	4031.137	Inlet grille			•
13	4031.270	Fan Ø 300 18°	•		
13	4031.271	Fan Ø 300 27°		•	
13	4031.272	Fan Ø 500 33°			•
14	S/R	Screw M8x8	•	•	•
15	S/R	Motor flange	•	•	
15	S/R	Motor flange			•
16	S/R	Air flap	•	•	
16	S/R	Air flap			•
17	4031.273	Combustion chamber	•		
17	4031.274	Combustion chamber		•	
17	4031.276	Combustion chamber			•
18	S/R	Flange guard shield	•		
18	S/R	Flange guard shield		•	
18	S/R	Flange guard shield			•
19	S/R	Base sx	•	•	
19	S/R	Base sx			•
20	S/R	Base dx	•	•	
20	S/R	Base dx			•
21	S/R	Lower body	•		
21	S/R	Lower body		•	
21	S/R	Lower body			•
22	S/R	Upper body	•		
22	S/R	Upper body		•	
22	S/R	Upper body			•
23	S/R	Upper body (rear)	•	•	
23	S/R	Upper body (rear)			•
24	4031.277	Chimney Ø 150	•	•	•
25	S/R	Protection cable Ø 35	•	•	•
26	4162.087	Control box support	•	•	•

MASTER INDIRECT OIL HEATERS

MODEL BV 100 E – 160 E – 280 E from 2002

PARTS LIST

Position	Code	Description	BV 100E	BV 160E	BV 280E
27	4031.010	Control box base	•	•	•
28	4031.005	Control box Landis & Gyr LOA21	•	•	•
29	4031.035	Transformer H.T. 230V	•	•	•
30+61	4110.971	H.T. cable	•	•	•
31	4031.040	Relay Finder	•	•	•
32	4162.085	Terminal board	•	•	•
33	4031.024	Electr. componets drawer	•	•	•
34	4031.169	Pilot lamp	•	•	•
35+36	4160.637	Switch 0 - 1	•	•	•
37	4111.119	Thermostat plug	•	•	•
38	4111.118	Plate plug	•	•	•
39	4162.094	Cable fastener	•	•	•
40	4031.080	Fuse (6x30) 6 A	•	•	
40	4111.040	Fuse (6x30) 10 A			•
41	4162.096	El. wire with plug	•	•	•
42	4031.755	El. wire with plug and cable fasten	•	•	•
43	4031.140	Rilsan pipe Ø 6	•	•	•
44	S/R	Protection cable Ø 18	•	•	•
45	4031.148	Pipe connection 1/4" Mx6	•	•	•
47	4031.160	Conn. straight 1/4" Mx6	•	•	•
48	S/R	Conn. straight 1/8" Mx6	•	•	•
49	4031.800	Nut 3/8"x5	•	•	•
50	4031.011	Filter support	•	•	•
51	4031.802	Double screw	•	•	•
52	4031.803	Connection 90° 3/8" Mx6	•	•	
52	4031.804	Conn. straight 3/8" Mx6			•
53	4031.070	Filter with cartidge 3/8"	•	•	•
54	4031.150	Filter OR	•	•	•
55	4031.075	Top oil filter seal	•	•	•
56	4031.015	Filter cartridge	•	•	•
57	4031.180	Filter housing	•	•	•
58	4031.045	Fan Thermostat	•	•	•
59	4031.047	Limit Thermostat	•	•	•
60	4031.095	Electrode	•	•	•
62	4031.106	Oil supply pipe Ø 4	•	•	•
63	4031.197	Pump Danfoss BFP 21	•	•	•
64	4031.019	Solenoid spool BFP11/21	•	•	•
65	4031.195	Solenoid valve Danfoss	•	•	•
66	4031.160	Conn. Straight 1/4" Mx6	•	•	•
67	4031.060	Coupling K1	•	•	
67	4031.065	Coupling K2			•
68	4031.096	Connection 90° 1/8" Mx4	•	•	•
69	4031.115	Bicone Ø 4	•	•	•
70	4031.110	Nut for bicone Ø 4	•	•	•
71	4031.130	Motor 130 W with capacitor	•		
71	4031.131	Motor 200 W with capacitor		•	
71	4031.125	Motor 750 W with capacitor			•
72	4031.165	Capacitor 5 µF	•		
72	4031.304	Capacitor 6,3 µF		•	

MASTER INDIRECT OIL HEATERS

MODEL BV 100 E – 160 E – 280 E from 2002

PARTS LIST

Position	Code	Description	BV 100E	BV 160E	BV 280E
72	4031.166	Capacitor 16 µF			•
73	4031.026	Conn. Straight 1/8" Mx6	•	•	•
74	S/R	Nut M14	•	•	•
75	4031.374	Burner flange Ø 80mm	•	•	
75	4031.372	Burner flange Ø102mm			•
76	4031.012	Nozzle support	•	•	•
77	4031.066	Turbo disc	•	•	•
78	4031.020	Nozzle 0.65 GPH 80°	•		
78	4031.025	Nozzle 1.00 GPH 80°		•	
78	4031.030	Nozzle 1.50 GPH 80°			•
79	4031.196	Air regulatoin flap	•	•	
79	4031.007	Air regulatoin flap			•
80	4031.090	Photocell	•	•	•
81	4031.009	Fixing clamp	•	•	•
82	4031.008	Flange	•	•	•
83	S/R	Screw TC M5x16	•	•	•
84	4109.590	Screw TE 10x1/2" FR	•	•	•
85	4140.670	Nut M6	•	•	•
86	4160.613	Sleeve	•	•	•
87	4161.434	Screw TC 4,2x9,5	•	•	•
88	4032.041	Screw TE M6x16	•	•	•
89	S/R	Screw TC 8x1"1/2"	•	•	•
90	4032.109	Screw TC 4x1/2"	•	•	•
91	4031.215	Nut M6	•	•	•
92	4032.107	Screw TE M6x16 FR	•	•	•
93	4032.040	Screw TE 14x1/2" FR	•	•	•
94	S/R	Nut M5	•	•	•
95	S/R	Screw TCEI M4x16	•	•	
95	S/R	Screw TCEI M5x35			•
96	4140.676	Screw TC 6x1/2"	•	•	•
97	4160.600	Screw TC M4x10	•	•	•
98	S/R	Screw TCEI M6x25	•	•	•
99	4104.170	Elastic plate U42-032	•	•	•
100	S/R	Screw TC 4x3/8"	•	•	•
101	4031.191	Lower oil filter seal	•	•	•
102	4140.655	Screw TE M6x30	•	•	•
106	4111.116	OR KIT filter	•	•	•
107	S/R	Power cord hook	•	•	•
108	4031.885	Support bar			•
109	S/R	Plug - wheel Ø200x50	•	•	
109	S/R	Plug - wheel Ø250x55			•
not shown	4031.094	Oil pump filter	•	•	•

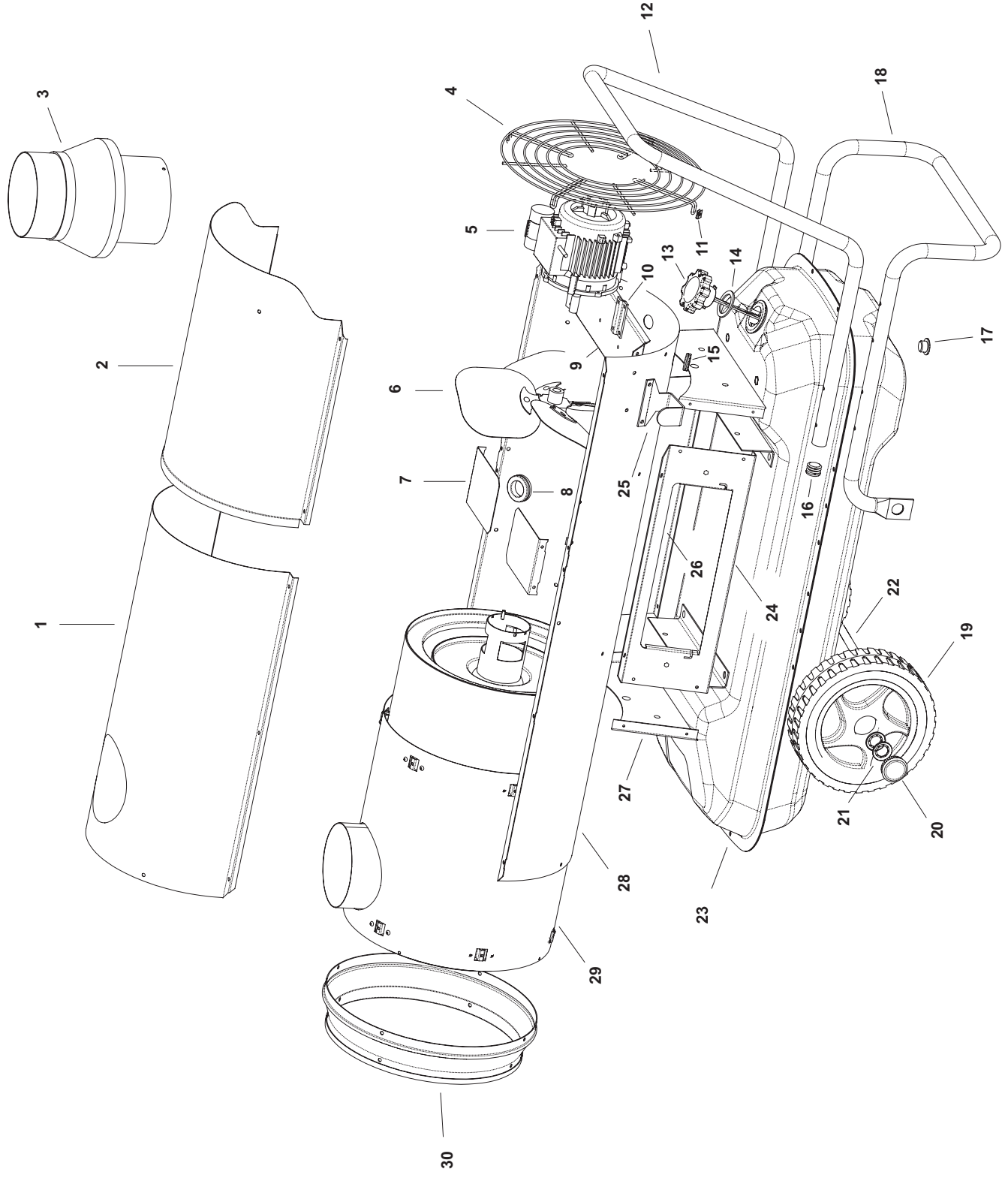
S/R = Parts available by special request only

Bv110 E MASTER

UNIT 1

ILLUSTRATED PARTS BREAKDOWN

Edizione 2005
Rev. 0

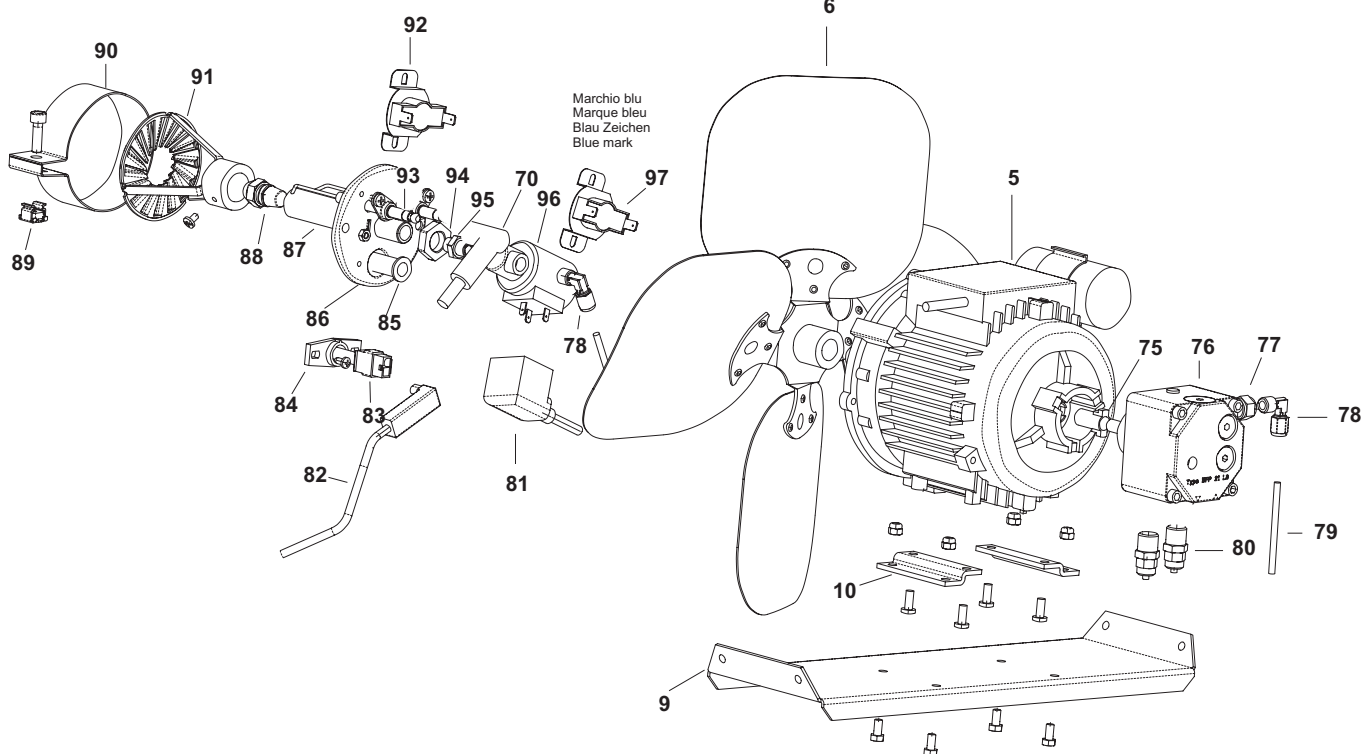
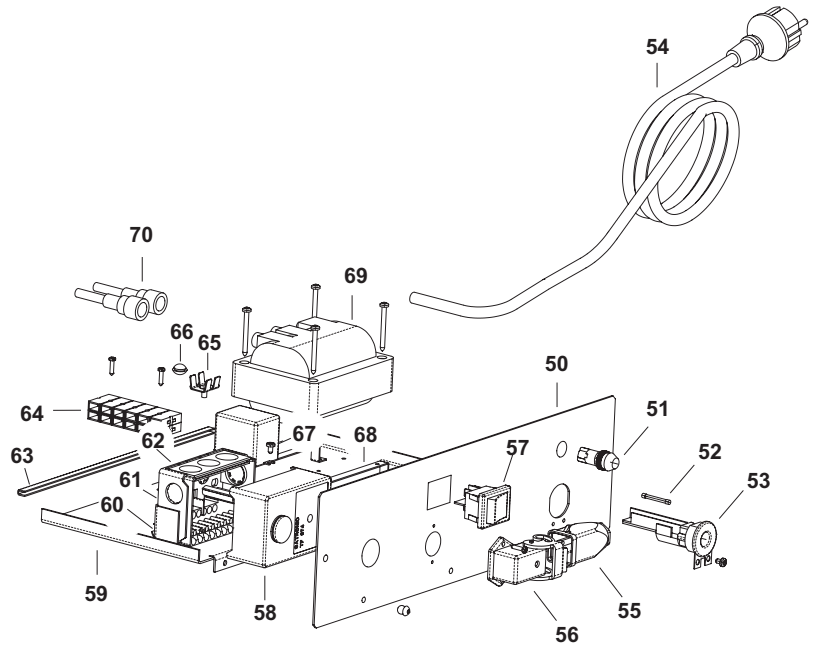
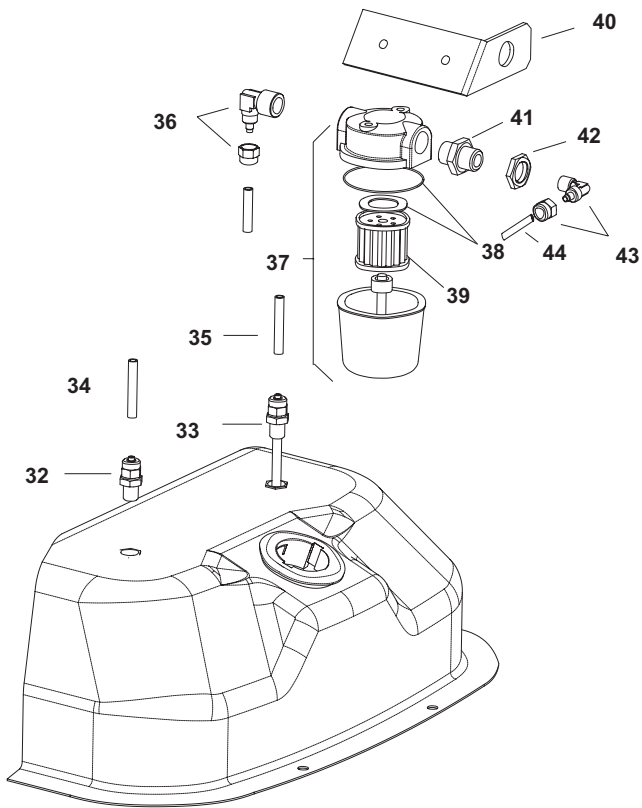


Bv110 E MASTER

UNIT 2

ILLUSTRATED PARTS BREAKDOWN

Edizione 2005
Rev. 0

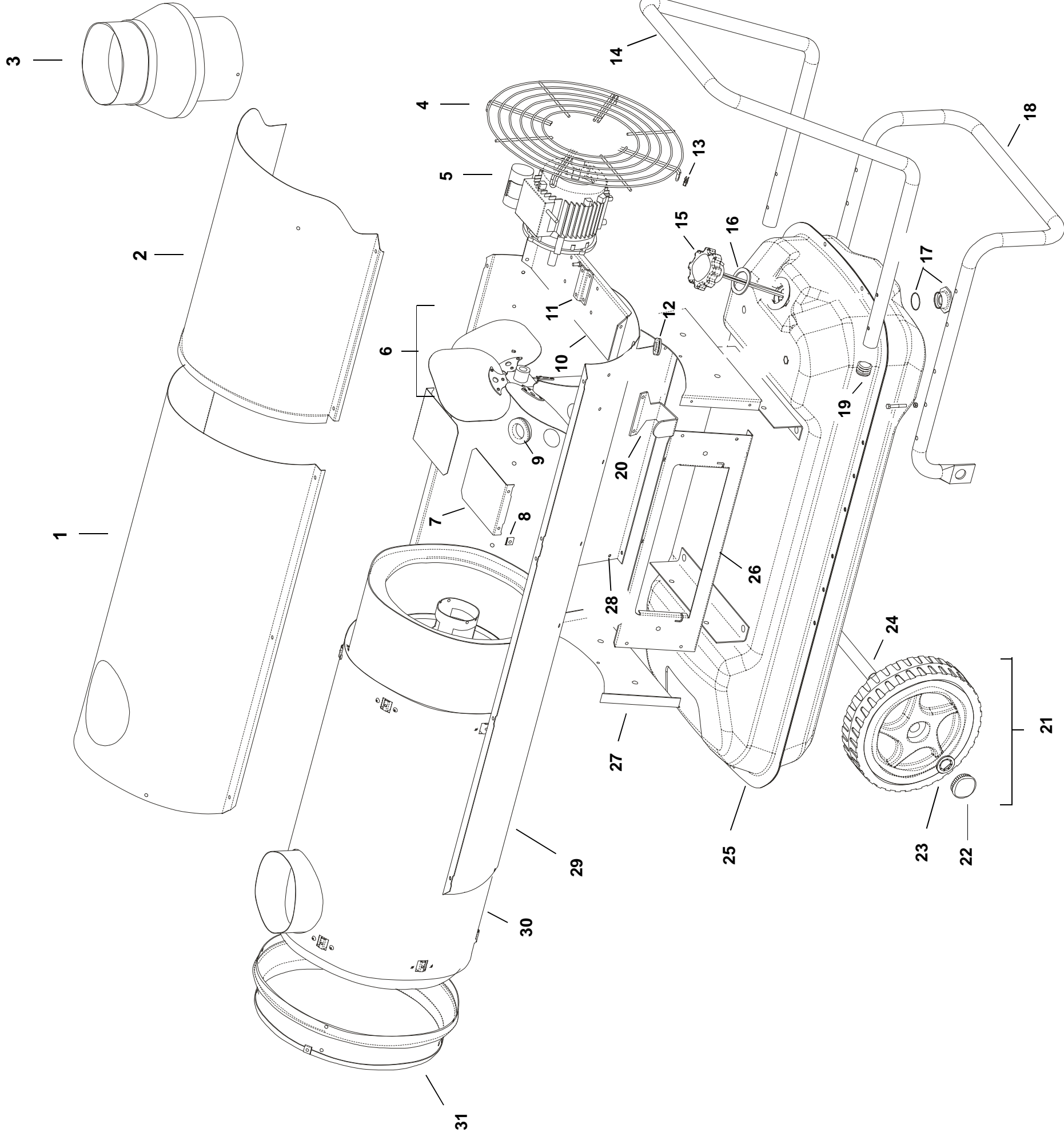


A5 GH9F -B8 F97 H'C=@HEATERS BV 110

Pos.	Code NR	Description
1	4032.654	Upper body
2	4032.548	Upper body mobile
3	4032.534	Chimney
4	4032.557	Inlet grille
5	4032.594	Motor 2P. 250W
6	4032.593	Fan
7	4032.554	Air flap
8	4111.056	Protection cable
9	4032.555	Motor flange support
10	4032.519	Motor flange
11	4111.241	Elastic plate
12	4032.568	Handle Frame
13	4032.475	Fuel level probe
14	4032.537	Tank plug seal
15	4160.646	Protection cable
16	4032.616	Plug
17	4100.632	Drain plug
18	4032.564	Foot Frame
19	4032.094	Wheel Ø 250
20	4111.480	Wheel plug
21	4111.072	Wheel holder Ø 20
22	4032.566	Axle
23	4032.543	Fuel tank
24	4032.558	Electr. componets drawer panel
25	4032.536	Power cord hook
26	4032.560	Side Panel
27	4032.562	Base
28	4111.625	Lower body
29	4032.655	Combustion chamber
30	4032.544	Outlet cone
32	4032.488	Conn. straight M10
33	4032.092	Pipe connection M10
34	4032.597	Fuel pipe pump-tank
35	4032.595	Fuel pipe tank-filter
36	4031.803	Connection 90° 3/8"
37	4111.045	Filter with cartidge 3/8"
38	4111.116	OR KIT filter
39	4031.015	Filter cartridge
40	4032.437	Filter support
41	4031.802	Double screw
42	4031.800	Conn. straight 3/8" Mx5
43	4111.273	Connection 90° 1/8"
44	4032.596	fuel pipe filter-pump
50	4032.446	Electr. components drawer
51	4117.058	Pilot lamp 230V
52	4111.040	Fuse (6,3x32) 10 A
53	4111.038	Cable fastener

A5 GH9F`B8=F97HC=@HEATERS BV 110

Pos.	Code NR	Description
54	4111.153	Power cord 3mt
55	4111.118	Thermostat plug
56	4111.119	Plate plug
57	4160.637	Switch 16A
58	4110.968	Control box Satronic
59	4032.448	Electr. Components base
60	4032.499	Control box support
61	4110.969	Control box base
62	4110.967	PG plate
63	4110.155	Edge Liner
64	4111.033	Terminal board
65	4160.639	Pop rivet with termin. 4 way
66	4032.450	Plastic pin
67	4111.032	Relay Finder
68	4111.030	Transformer support
69	4031.035	Transformer
70	4110.971	H.T. cable
75	4111.081	Coupling Simel
76	4032.093	Pump Danfoss BFP 21-L3L
77	4161.501	Nut for bicone 1/8
78	4161.140	Connection 90° 1/8"
79	4111.049	Oil supply pipe
80	4031.160	Conn. Straight 1/4"
81	4032.110	Power cord Solenoid spool
82	4110.970	Photocell conn. cable.
83	4110.966	Photocell
84	4111.076	Photocell block bracket
85	4032.406	Photocell support
86	4032.574	Burner flange
87	4032.403	Nozzle support
88	4031.020	Nozzle 0,65 GPH 80°
89	4032.454	Nut M6
90	4032.545	Air regulatoin flap
91	4032.570	Turbo disc
92	4031.045	Fan Thermostat
93	4031.095	Electrode
94	4032.407	Conn. straight Mx14x6
95	4160.968	Conn. straight 1/8"
96	4102.535	Solenoid spool 230V/50Hz
97	4031.047	Limit Thermostat

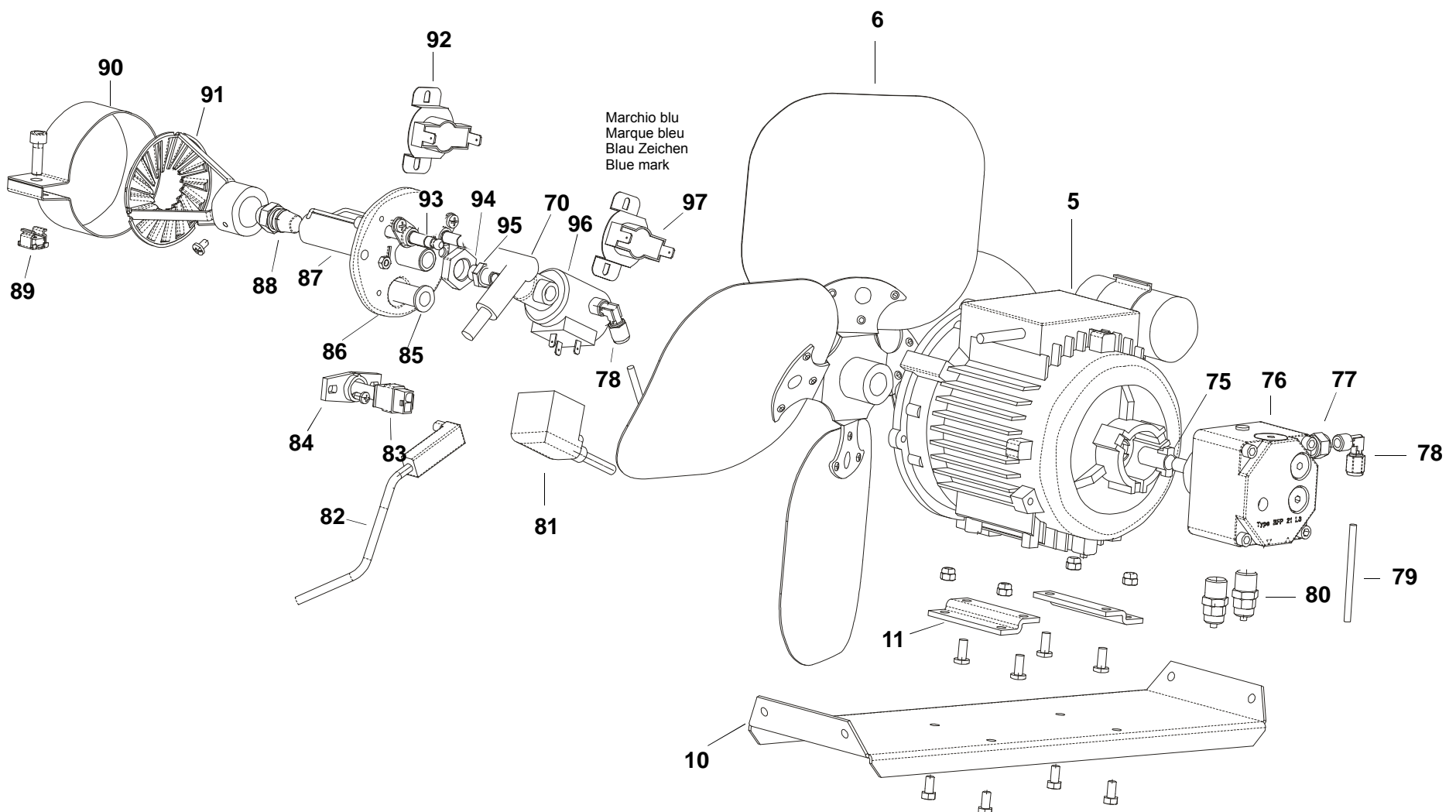
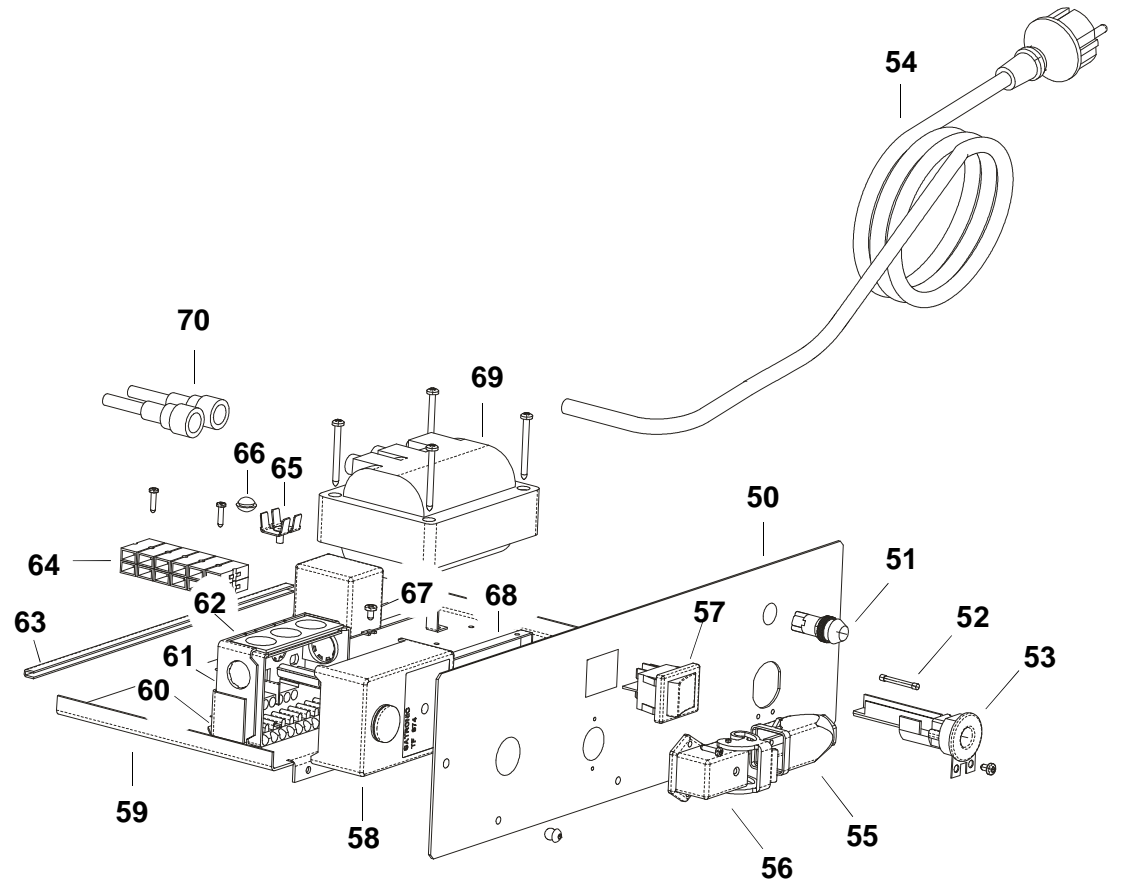
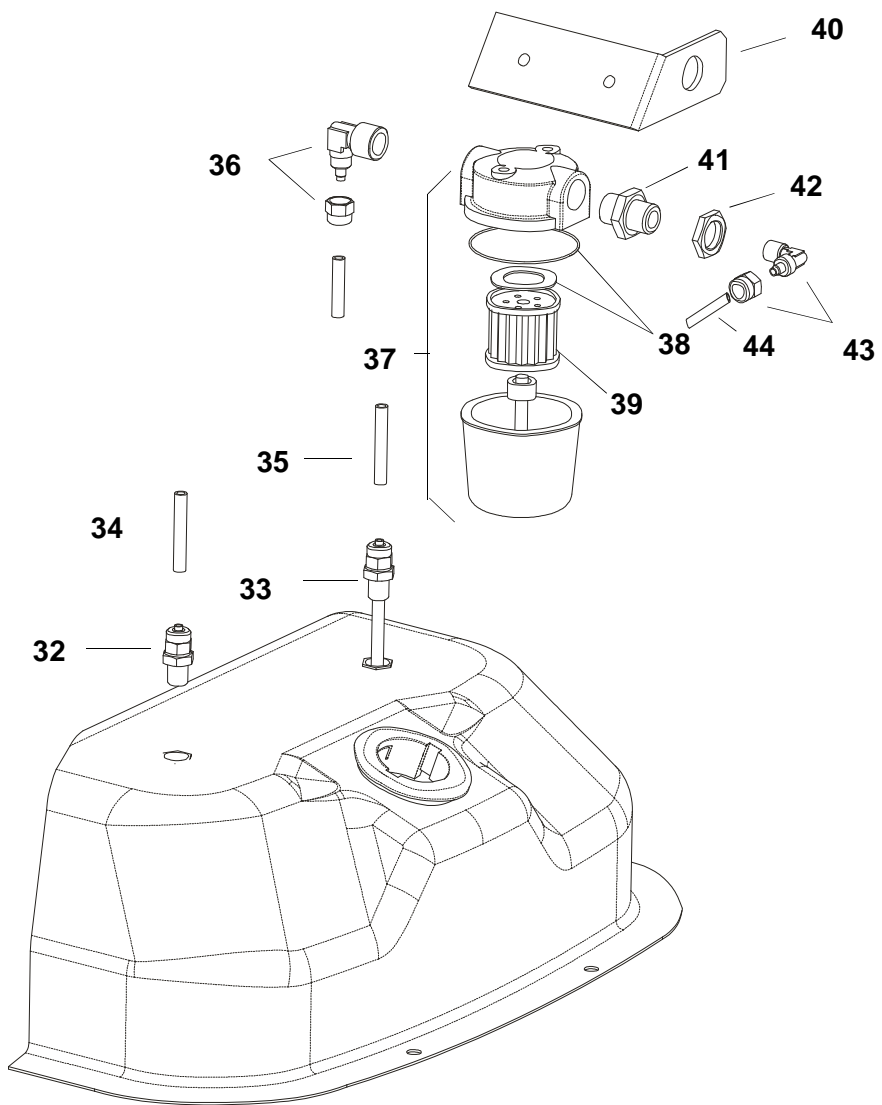


BV 170 E MASTER

UNIT 2

ILLUSTRATED PARTS BREAKDOWN

Edizione 2005
Rev. 0



MASTER INDIRECT OIL HEATERS BV 170

Pos.	Code NR	Description
1	S/R	Upper body
2	S/R	Upper body mobile
3	4032.534	Chimney
4	4032.557	Inlet grille
5	4032.594	Motor 250W
6	4032.593	Fan
7	4032.554	Air flap
8	4104.170	Clip nut
9	4111.056	Protection cable
10	4032.555	Motor flange support
11	4032.519	Motor flange
12	4160.646	Protection cable
13	4111.241	Elastic plate
14	4032.568	Handle Frame
15	4032.475	Fuel level probe
16	4032.537	Tank plug seal
17	4100.632	Drain plug
18	4032.564	Foot Frame
19	4111.057	Plug
20	4032.536	Power cord hook
21	4032.094	Wheel Ø 250
22	4111.080	Wheel plug
23	4111.072	Wheel holder Ø 20
24	4032.566	Axle
25	4032.543	Fuel tank
26	4032.558	Electr. componets drawer panel
27	S/R	Base
28	S/R	Side Panel
29	S/R	Lower body
30	4032.541	Combustion chamber
31	4032.544	Outlet cone
32	4032.488	Conn. straight M10
33	4032.092	Pipe connection M10
34	4032.597	Fuel pipe pump-tank
35	4032.595	Fuel pipe tank-filter
36	4031.803	Connection 90° 3/8"
37	4111.045	Filter with cartidge 3/8"
38	4111.116	OR KIT filter
39	4031.015	Filter cartridge
40	4032.437	Filter support
41	4031.802	Double screw
42	4031.800	Conn. straight 3/8" Mx5
43	4111.273	Connection 90° 1/8"
44	4032.596	Fuel pipe filter-pump
50	4032.446	Electr. components drawer
51	4117.058	Pilot lamp 230V
52	4111.040	Fuse (6,3x32) 10 A
53	4111.038	Cable fastener

MASTER INDIRECT OIL HEATERS BV 170

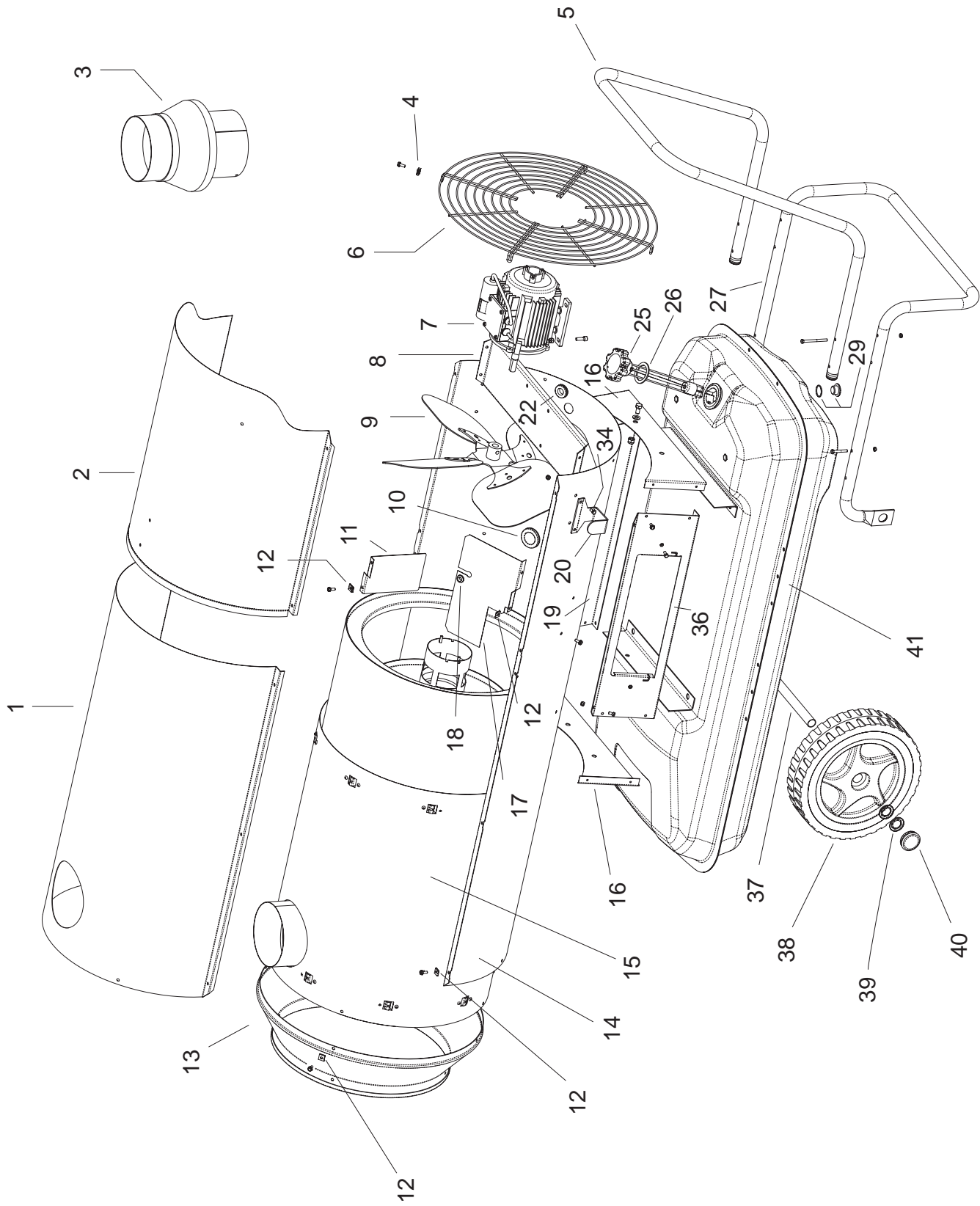
Pos.	Code NR	Description
54	4111.153	Power cord
55	4111.118	Thermostat plug
56	4111.119	Plate plug
57	4160.637	Switch
58	4110.968	Control box Satronic
59	4032.448	Electr. components base
60	4032.499	Control box support
61	4110.969	Control box base
62	4110.967	Support PG photocell
63	4110.155	Edge Liner
64	4111.033	Terminal board
65	4160.639	Pop rivet with termin. 4 way
66	4032.450	Plastic pin
67	4111.032	Relay Finder
68	4111.030	Transformer support
69	4031.035	Transformer
70	4110.971	H.T. cable
75	4111.081	Coupling Simel
76	4032.093	Pump Danfoss
77	4161.501	Nut for bicone 1/8
78	4161.140	Connection 90° 1/8"
79	4111.049	Oil supply pipe
80	4031.160	Conn. Straight 1/4"
81	4032.110	Power cord Solenoid spool
82	4110.970	Photocell conn. cable.
83	4110.966	Photocell
84	4111.076	Photocell block bracket
85	4032.406	Photocell support
86	4032.574	Burner flange
87	4032.403	Nozzle support
88	4031.025	Nozzle 1,00 GPH 80°
89	4032.454	Nut M6
90	4032.545	Air regulatoin flap
91	4032.570	Turbo disc
92	4031.045	Fan Thermostat
93	4031.095	Electrode
94	4032.407	Conn. straight Mx14x6
95	4160.968	Conn. straight 1/8"
96	4102.535	Solenoid spool 230V/50Hz
97	4031.047	Limit Thermostat

BV290 E MASTER

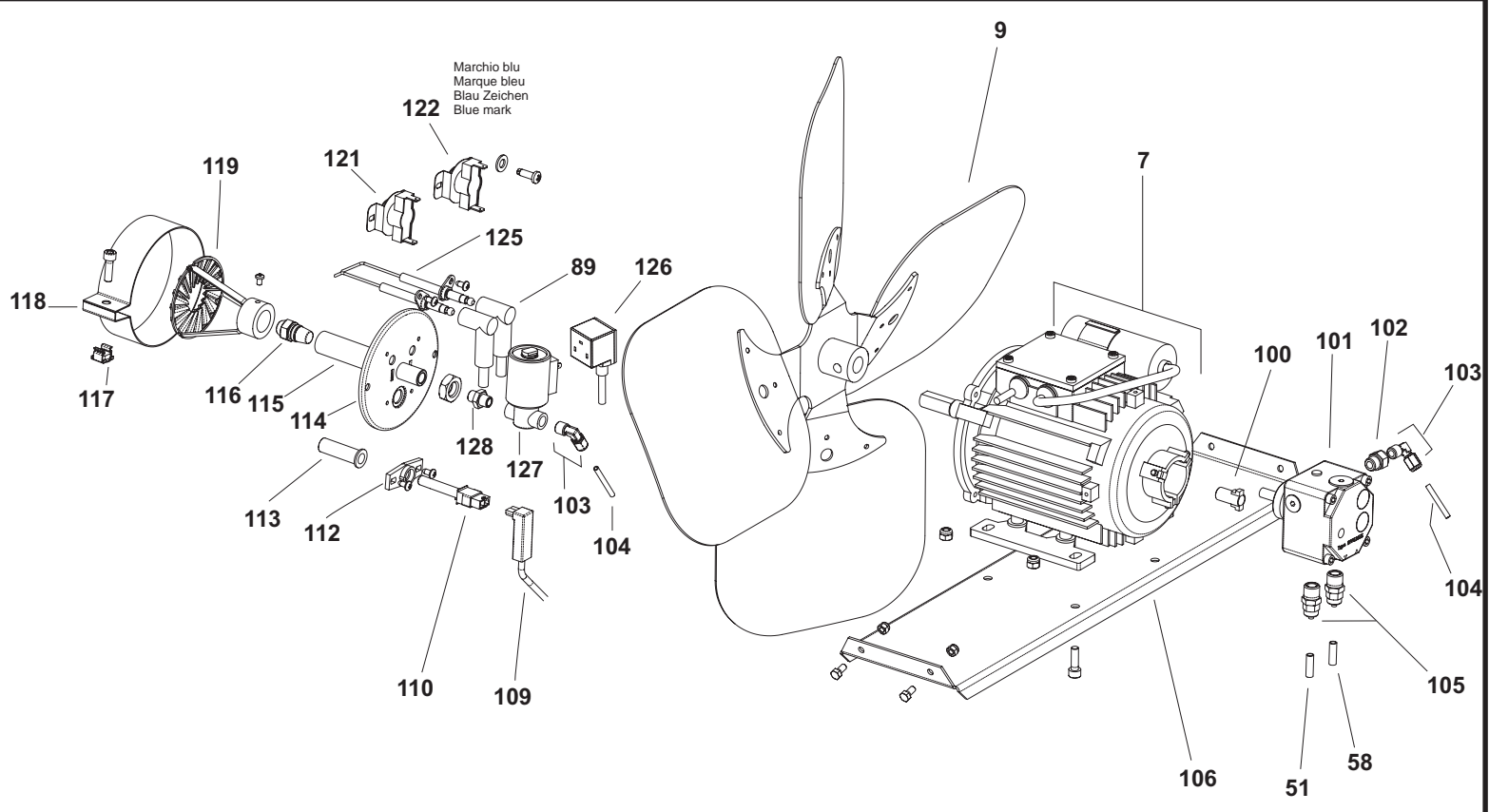
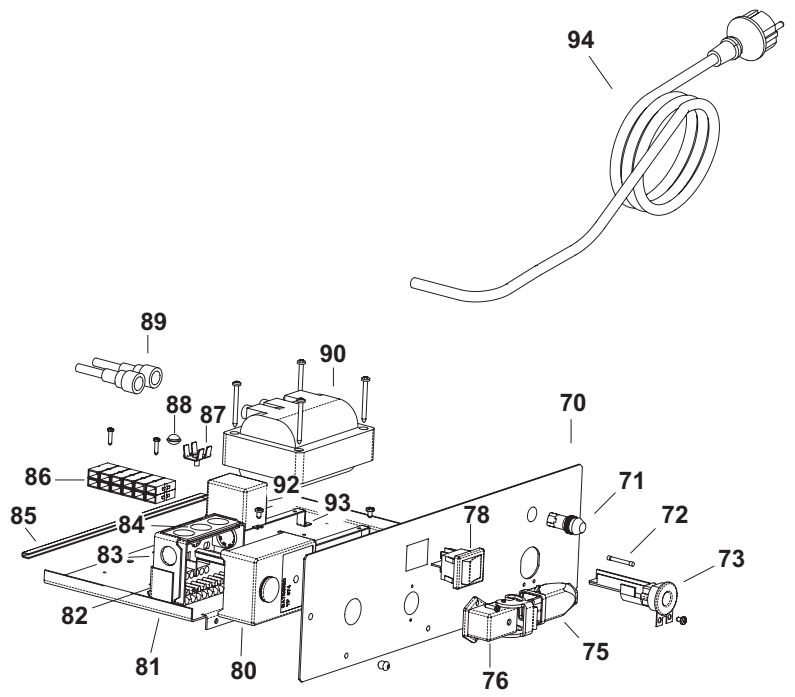
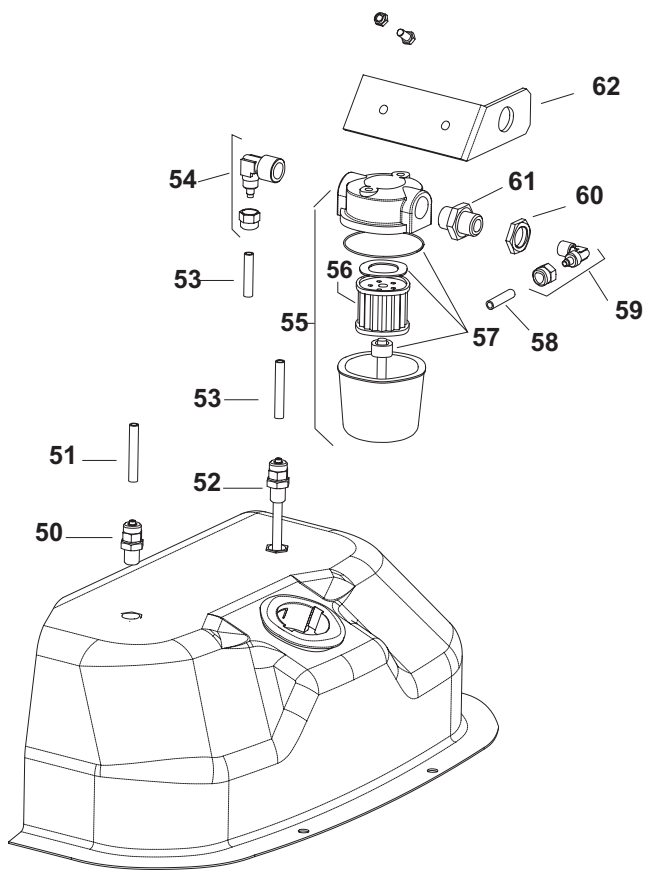
UNIT 1

ILLUSTRATED PARTS BREAKDOWN

Edizione 2005
Rev. 0



Edizione 2005
Rev. 0



MASTER INDIRECT OIL HEATERS BV 290

Pos.	Code NR	Description
1	S/R	Upper body
2	S/R	Upper body mobile
3	4032.534	Chimney
4	4111.241	Elastic plate
5	4032.480	Handle frame
6	4032.465	Inlet grille
7	4032.431	Motor
8	4032.463	Motor flange support
9	4032.430	Fan
10	4111.056	Protection cable
11	4032.518	Central Air flap
12	4104.170	Clip nut
13	4032.452	Outlet cone
14	S/R	Lower body
15	4032.408	Combustion chamber
16	S/R	Base
17	4032.462	Air flap
18	4101.151	Protection cable
19	4032.468	Side Panel
20	4032.536	Power cord hook
22	4160.646	Protection cable
25	4032.475	Fuel level probe
26	4032.537	Tank plug seal
27	4032.476	Foot frame
29	4100.632	Drain plug
36	S/R	Electr. componets drawer panel
37	4032.478	Axle
38	4110.978	Wheel
39	4111.072	Wheel holder Ø 20
40	4111.480	Wheel plug
41	4032.439	Fuel tank
50	4032.488	Conn. straight M10
51	4032.436	Fuel pipe pump-tank
52	4032.092	Pipe connection M10
53	4032.434	Fuel pipe tank-filter
54	4031.803	Connection 90° 3/8"
55	4111.045	Filter with cartidge 3/8"
56	4031.015	Filter cartridge
57	4111.116	OR KIT filter
58	4032.435	Fuel pipe filter-pump
59	4111.273	Connection 90° 1/8"
60	4031.800	Conn. straight 3/8" Mx5
61	4031.802	Double screw
62	4032.437	Filter support
70	4032.446	Electr. componets drawer
71	4117.058	Pilot lamp 230V
72	4111.040	Fuse (6,3x32) 10 A

MASTER INDIRECT OIL HEATERS BV 290

Pos.	Code NR	Description
73	4111.038	Cable fastener
75	4111.118	Thermostat plug
76	4111.119	Plate plug
78	4160.637	Switch
80	4110.968	Control box Satronic
81	4032.448	Electr. Components base
82	4032.499	Control box support
83	4110.969	Control box base
84	4110.967	Support PG photocell
85	4110.155	Edge Liner
86	4111.033	Terminal board
87	4160.639	Pop rivet with termin. 4 way
88	4032.450	Plastic pin
89	4110.971	H.T. cable
90	4031.035	Transformer
92	4111.032	Relay Finder
93	4111.030	Transformer support
94	4111.153	Power cord
100	4111.081	Coupling Simel
101	4032.432	Pump Danfoss
102	4161.501	Nut for bicone 1/8
103	4161.140	Connection 90° 1/8"
104	4032.433	Oil supply pipe
105	4031.160	Conn. Straight 1/4"
106	4032.463	Motor flange support
109	4110.970	Photocell conn. cable
110	4110.966	Photocell
112	4111.076	Photocell block bracket
113	4032.406	Photocell support
114	4032.405	Burner flange
115	4032.403	Nozzle support
116	4031.030	Nozzle 1,50 GPH 80°S
117	4032.454	Nut M6
118	4032.453	Air regulatoin flap
119	4032.570	Turbo disc
121	4031.045	Fan Thermostat
122	4031.047	Limit Thermostat
125	4031.095	Electrode
126	4032.110	Power cord Solenoid spool
127	4102.535	Solenoid spool 230V/50Hz
128	4160.968	Conn. straight 1/8"

S/R – Parts available by special request only

Suspended direct / indirect heaters



Heater capacity: 111 / 47 / 81 / 134 / 220 kW

Models

BS 360

BVS 170 / BVS 290

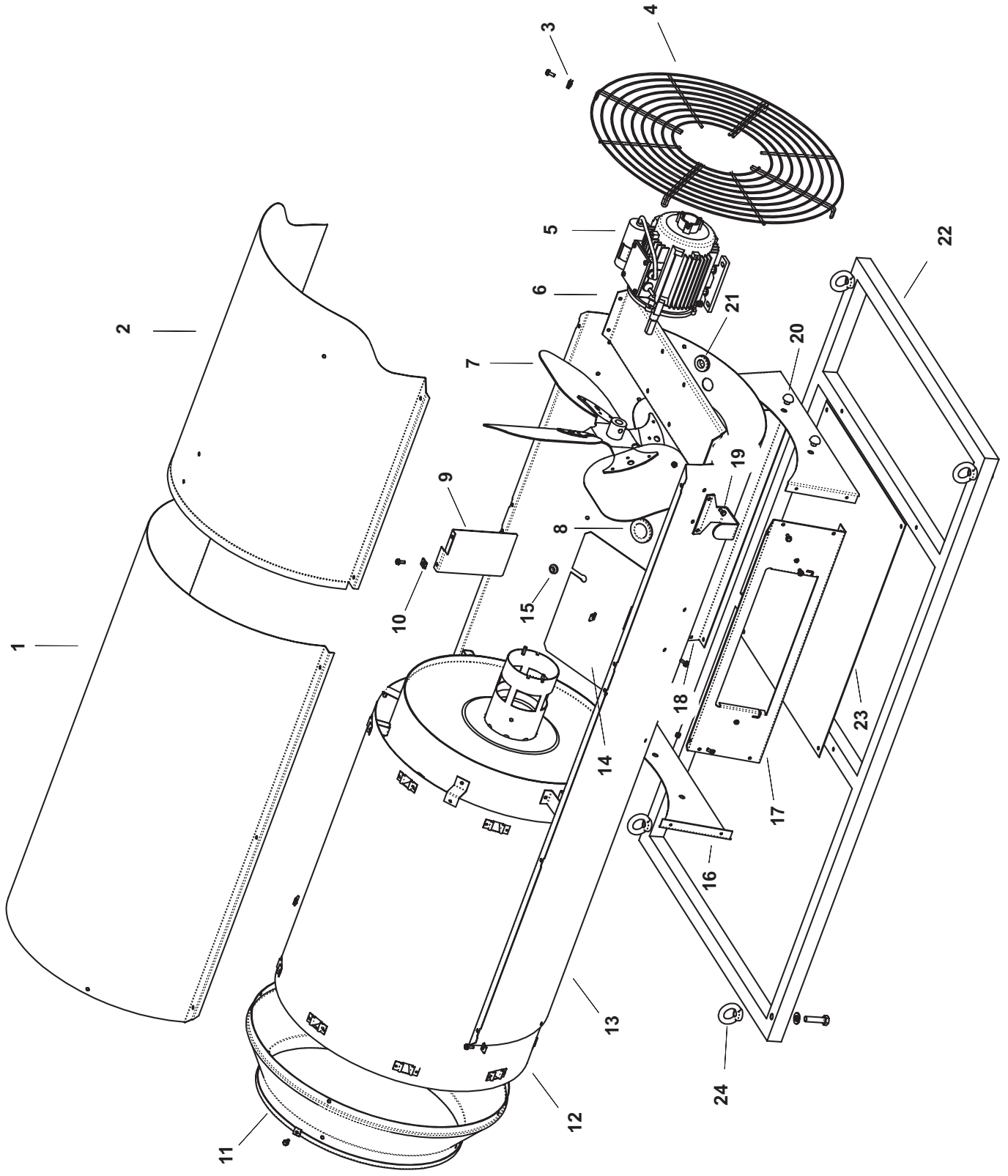
GREEN 70 / 115 / 200

BS360 E SUSPENDED

UNIT 1

ILLUSTRATED PARTS BREAKDOWN

Edizione 2005
Rev. 0

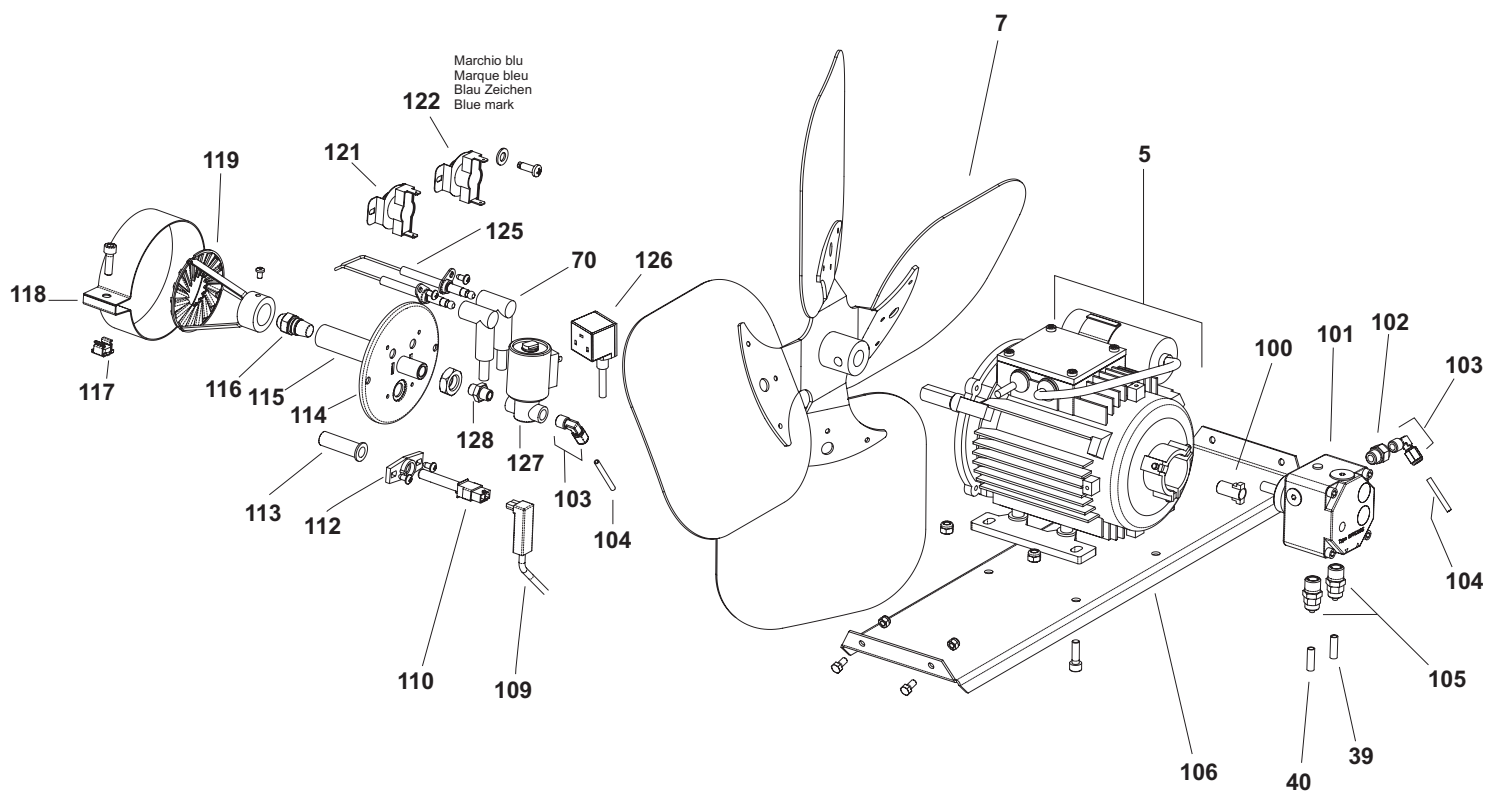
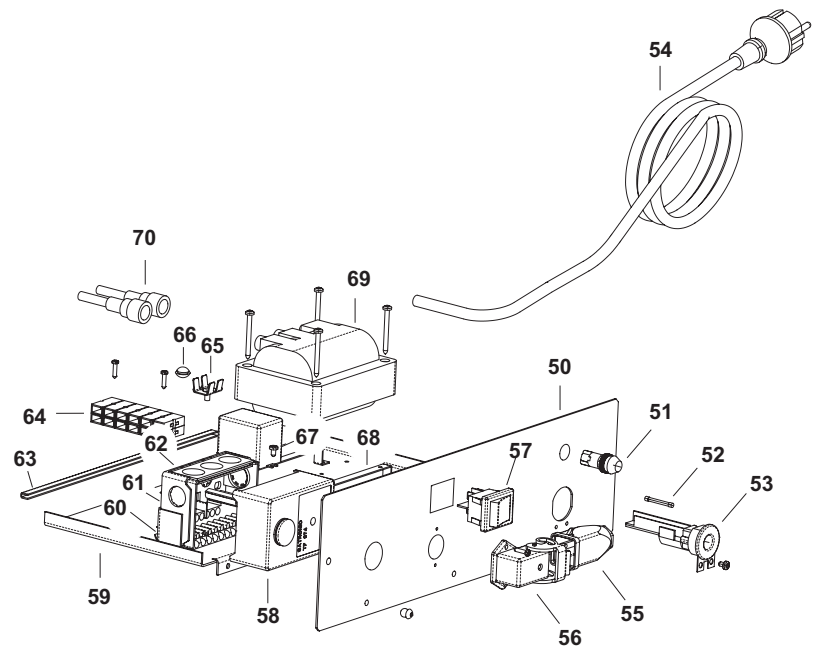
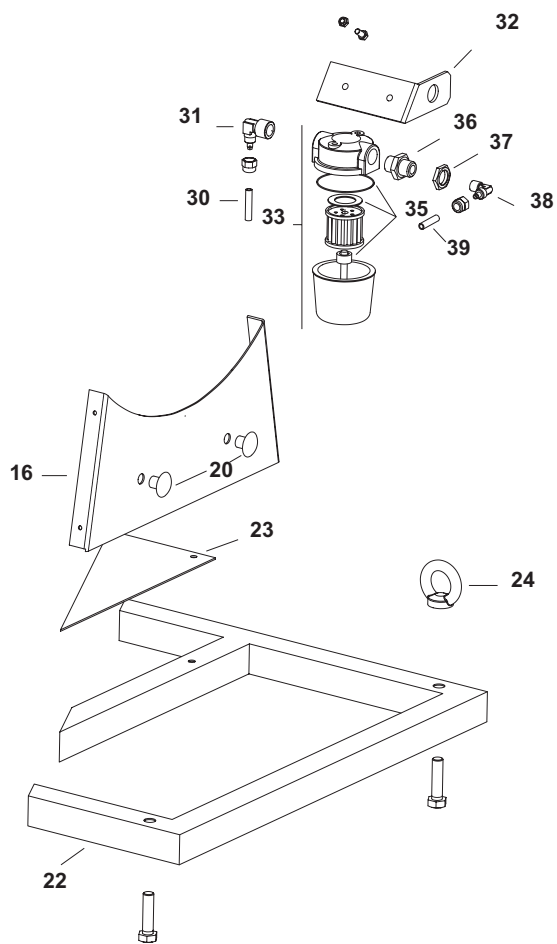


BS360 E SUSPENDED

UNIT 2

ILLUSTRATED PARTS BREAKDOWN

Edizione 2005
Rev. 0



MASTER SUSPENDED HEATERS

MODEL BS 360

PARTS LIST

Key No.	Part number	Description
1	S/R	Upper body
2	S/R	Upper body mobile
3	4111.241	Elastic plate Ø 4,2
4	4032.465	Inlet grille
5	4032.431	Motor 4PW 230V/50 IP44
6	4032.463	Motor flange support
7	4032.430	Fan Ø 500mm-27°
8	4111.056	Protection cable
9	4032.518	Central Air flap
10	4104.170	Clip nut
11	4032.452	Outlet cone
12	4111.638	Combustion chamber
13	S/R	Lower body
14	4032.462	Air flap
15	4101.151	Protection cable
16	S/R	Base
17	S/R	Electr. componets drawer panel
18	4032.468	Side panel
19	4032.536	Power cord hook
20	4032.509	Rubber pin
21	4160.646	Protection cable
22	4032.493	Suspending frame
23	4032.489	Lower panel
24	4032.491	Lug M10
30	4032.617	Fuel pipe tank-filter
31	4031.803	Connection 90° 3/8"
32	4032.437	Filter support
33	4111.045	Filter with cartidge 3/8"
34	4031.015	Filter cartridge
35	4111.116	OR KIT filter
37	4031.800	Conn. straight 3/8" Mx5
38	4111.273	Connection 90° 1/8"
39	4032.435	Fuel pipe filter-pump
40	4032.618	Fuel pipe pump-tank
50	4032.466	Electr. componets drawer panel
51	4117.058	Pilot lamp 230V
52	4111.040	Fuse (6,3x32) 10 A
53	4111.038	Cable fastener
54	4111.153	Power cord 3mt
55	4111.118	Thermostat plug
56	4111.119	Plate plug
57	4160.637	Switch 16A
58	4110.968	Control box Satronic

MASTER SUSPENDED HEATERS

MODEL BS 360

PARTS LIST

Key No.	Part number	Description
59	4032.448	Electr. Components base
60	4032.499	Control box support
61	4110.969	Control box base
62	4110.967	PG plate
63	4110.155	Edge Liner
64	4111.033	Terminal board
65	4160.639	Pop rivet with termin. 4 way
66	4032.450	Plastic pin
67	4111.032	Relay Finder
68	4111.030	Transformer support
69	4031.035	Transformer
70	4110.971	H.T. cable
100	4111.081	Coupling Simel
101	4032.432	Pump Danfoss
102	4161.501	Nut for bicone 1/8
103	4161.140	Connection 90° 1/8"
104	4032.433	Oil supply pipe
105	4031.160	Conn. Straight 1/4"
106	4032.463	Motor flange support
109	4110.970	Photocell conn. cable.
110	4110.966	Photocell
112	4111.076	Photocell block bracket
113	4032.406	Photocell support
114	4032.405	Burner flange Ø 101,6mm
115	4032.403	Nozzle support
116	4111.143	Nozzle 2,00 GPH 80°H
117	4032.454	Nut M6
118	4032.453	Air regulatoin flap
119	4032.570	Turbo disc
121	4031.045	Fan Thermostat
122	4031.047	Limit Thermostat
125	4031.095	Electrode
126	4032.110	Power cord Solenoid spool
127	4102.535	Solenoid spool 230V/50Hz
128	4160.968	Conn. straight 1/8"

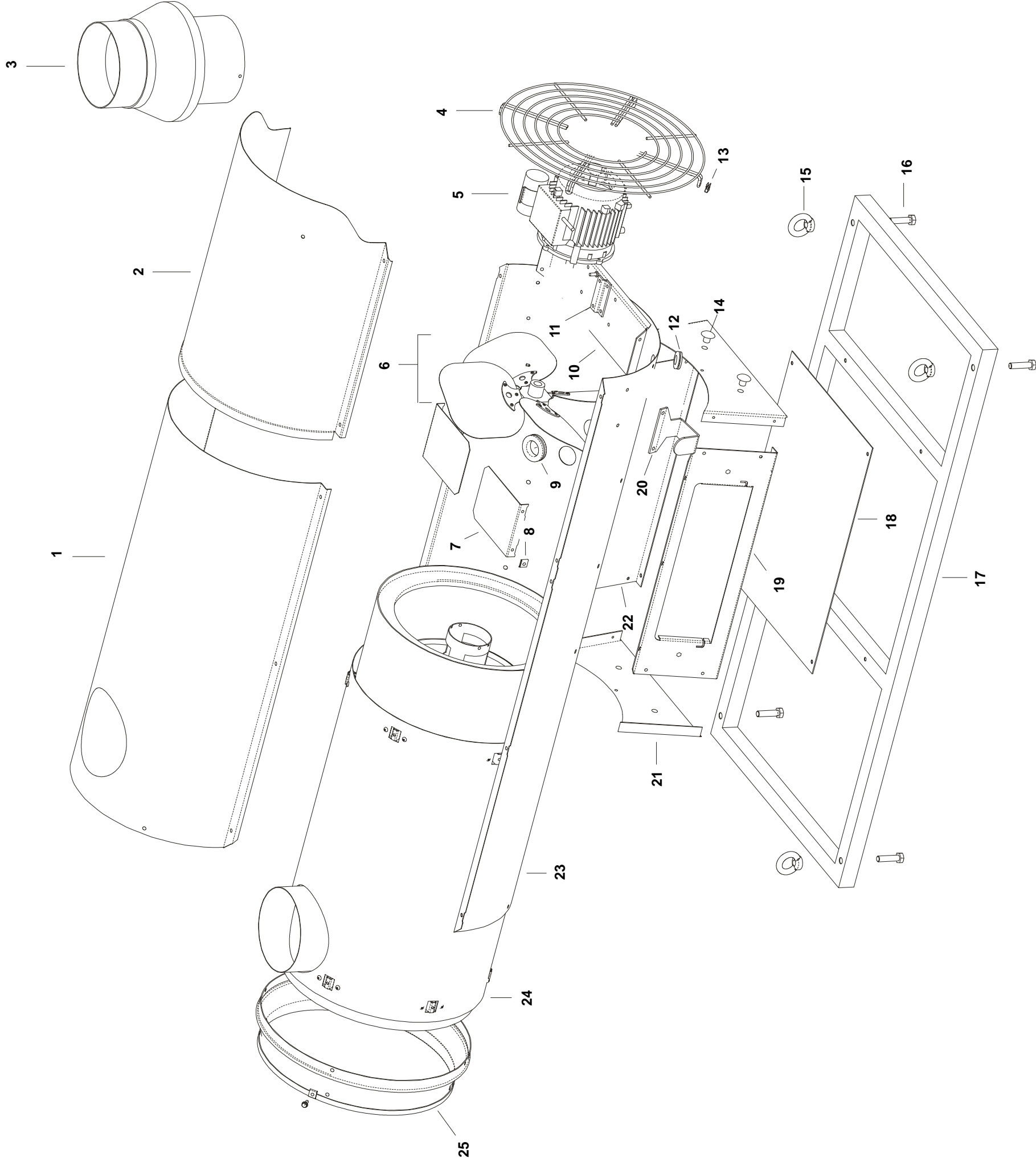
S/R – Parts available by special request only

BVS 170 E MASTER

UNIT 1

ILLUSTRATED PARTS BREAKDOWN

Edizione 2005
Rev. 0

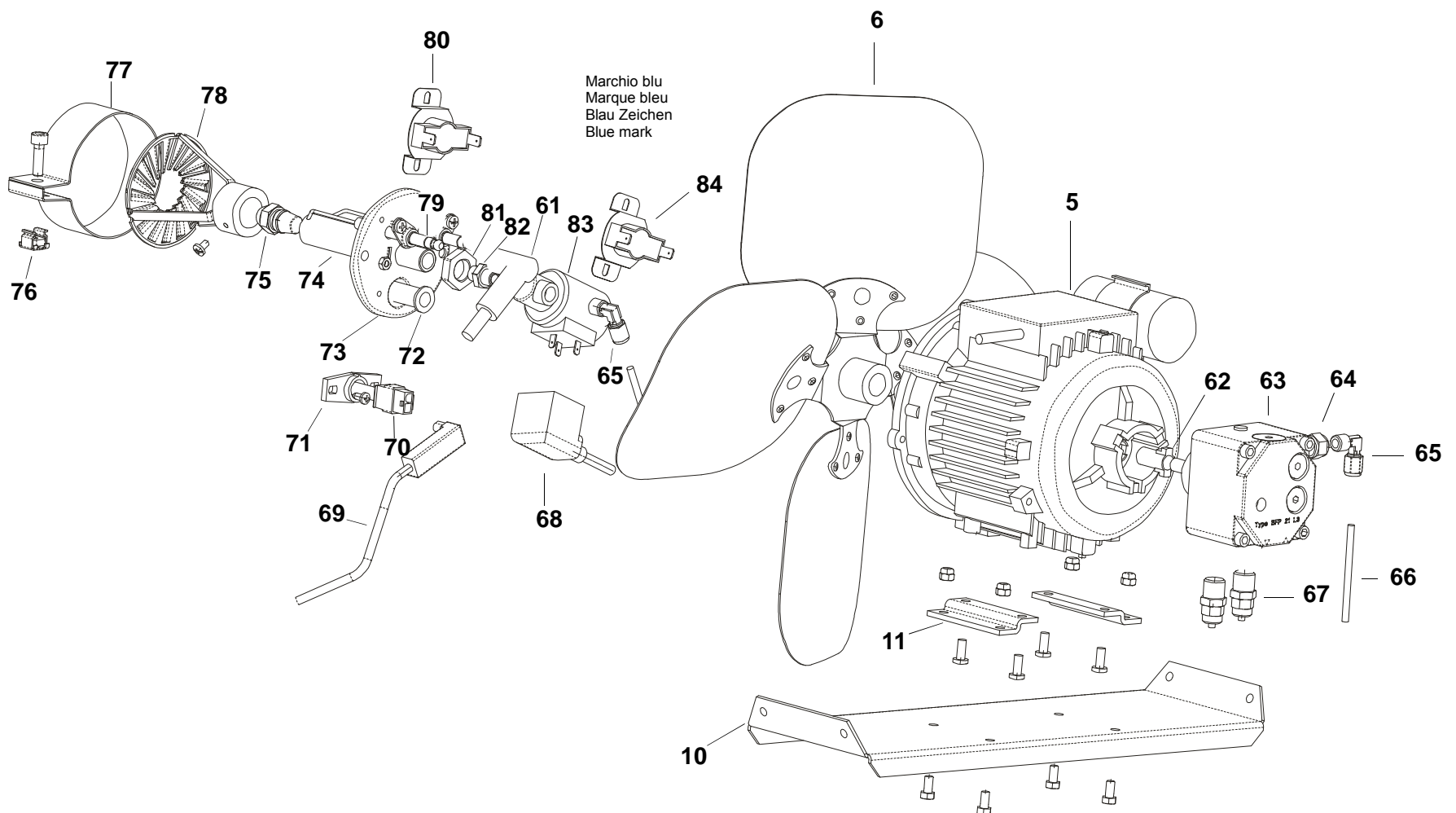
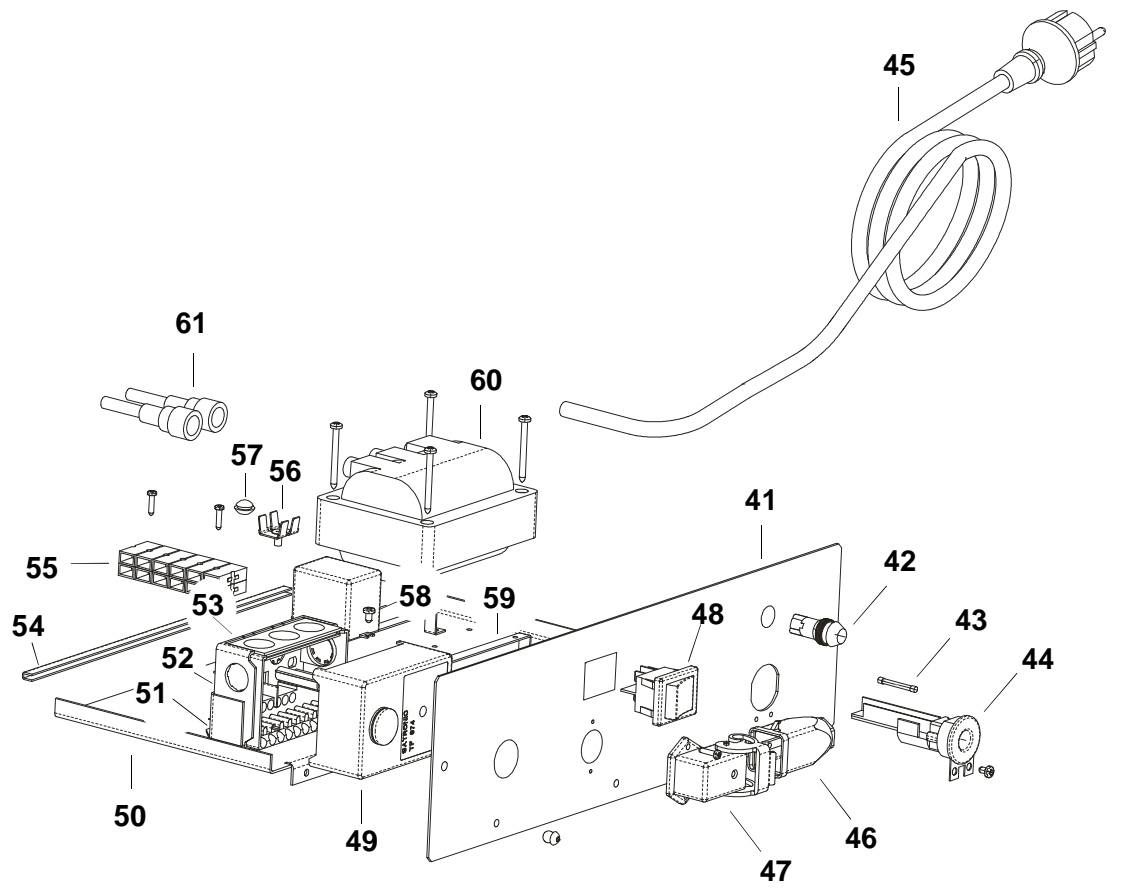
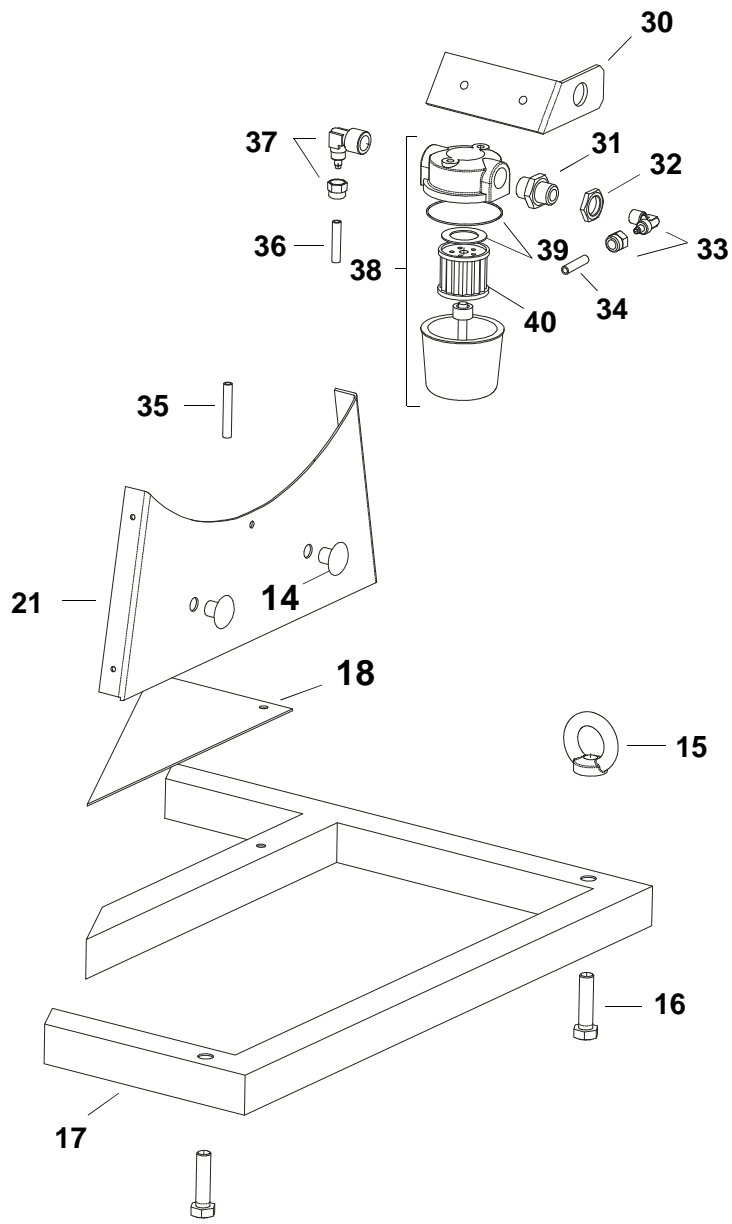


BVS 170 E MASTER

UNIT 2

ILLUSTRATED PARTS BREAKDOWN

Edizione 2005
Rev. 0



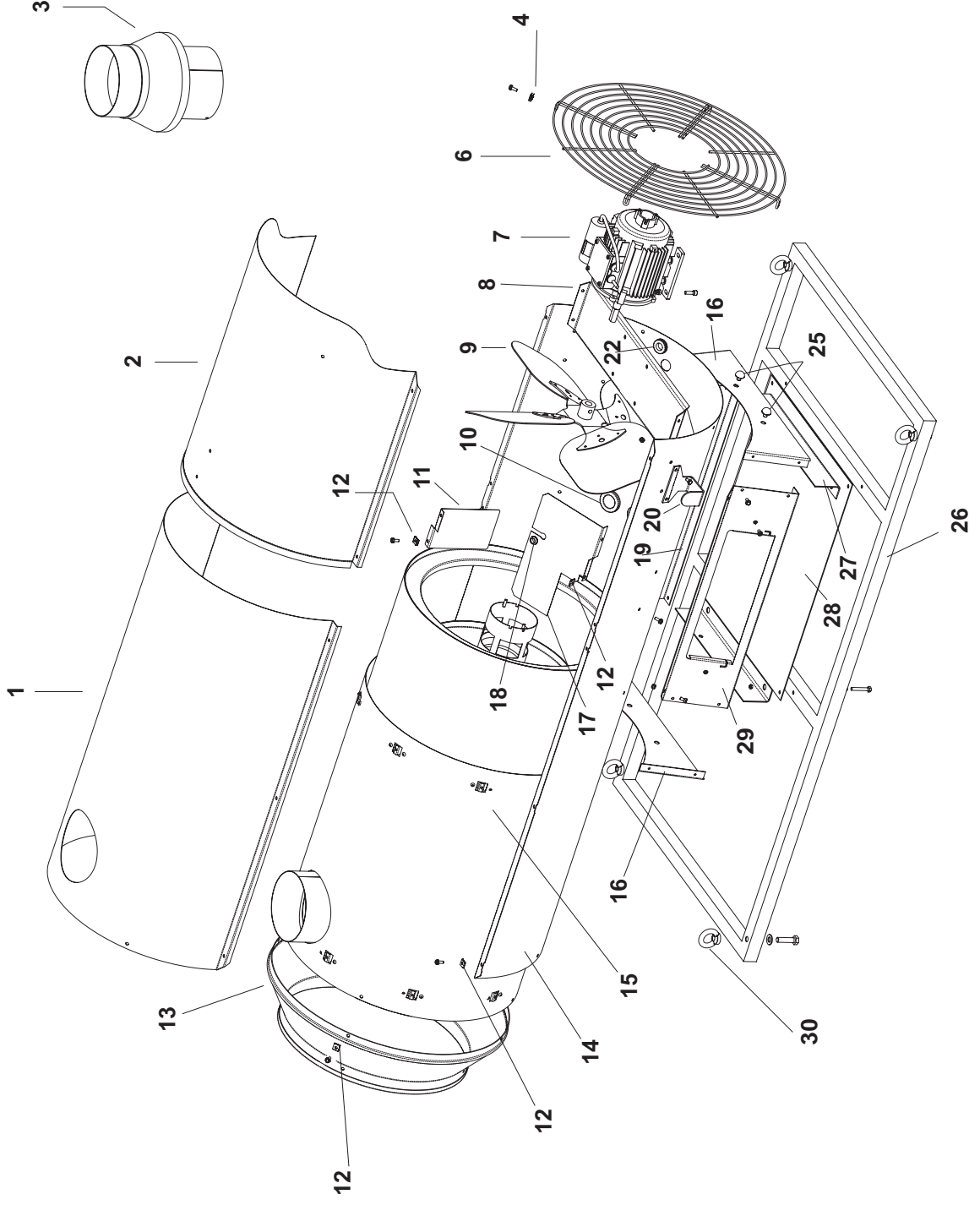
MASTER SUSPENDED HEATERS BVS 170

Pos.	Code NR	Description
1	S/R	Upper body
2	S/R	Upper body mobile
3	4032.534	Chimney
4	4032.557	Inlet grille
5	4032.594	Motor 250W
6	4032.593	Fan
7	4032.554	Air flap
8	4104.170	Clip nut
9	4111.056	Protection cable
10	4032.555	Motor flange support
11	4032.519	Motor flange
12	4160.646	Protection cable
13	4111.241	Elastic plate
14	4032.509	Rubber pin
15	4032.491	Lug
16	4032.492	Screw TE M10x40
17	4032.610	Suspending frame
18	4032.611	Lower panel
19	S/R	Electr. componets drawer
20	4032.536	Power cord hook
21	S/R	Base
22	S/R	Side panel
23	S/R	Lower body
24	4032.541	Combustion chamber
25	4032.544	Outlet cone
30	4032.437	Filter support
31	4031.802	Double screw
32	4031.800	Conn. straight 3/8" Mx5
33	4111.273	Connection 90° 1/8"
34	4032.596	Fuel pipe filter-pump
35	4032.618	Fuel pipe pump-tank
36	4032.617	Fuel pipe tank-filter
37	4031.803	Connection 90° 3/8"
38	4111.045	Filter with cartidge 3/8"
39	4111.116	OR KIT filter
40	4031.015	Filter cartridge
41	4032.446	Electr. components drawer
42	4117.058	Pilot lamp 230V
43	4111.040	Fuse (6,3x32) 10 A
44	4111.038	Cable fastener
45	4111.153	Power cord
46	4111.118	Thermostat plug
47	4111.119	Plate plug

MASTER SUSPENDED HEATERS BVS 170

Pos.	Code NR	Description
48	4160.637	Switch
49	4110.968	Control box Satronic
50	4032.448	Electr. components base
51	4032.499	Control box support
52	4110.969	Control box base
53	4110.967	Support PG photocell
54	4110.155	Edge Liner
55	4111.033	Terminal board
56	4160.639	Pop rivet with termin. 4 way
57	4032.450	Plastic pin
58	4111.032	Relay Finder
59	4111.030	Transformer support
60	4031.035	Transformer
61	4110.971	H.T. cable
62	4111.081	Coupling Simel
63	4032.093	Pump Danfoss
64	4161.501	Nut for bicone 1/8
65	4161.140	Connection 90° 1/8"
66	4111.049	Oil supply pipe
67	4031.160	Conn. Straight 1/4"
68	4032.110	Power cord Solenoid spool
69	4110.970	Photocell conn. cable.
70	4110.966	Photocell
71	4111.076	Photocell block bracket
72	4032.406	Photocell support
73	4032.574	Burner flange
74	4032.403	Nozzle support
75	4031.025	Nozzle 1,00 GPH 80°
76	4032.454	Nut M6
77	4032.545	Air regulatoin flap
78	4032.570	Turbo disc
79	4031.095	Electrode
80	4031.045	Fan Thermostat
81	4032.407	Conn. straight Mx14x6
82	4160.968	Conn. straight 1/8"
83	4102.535	Solenoid spool 230V/50Hz
84	4031.047	Limit Thermostat

S/R = Parts available by special request only

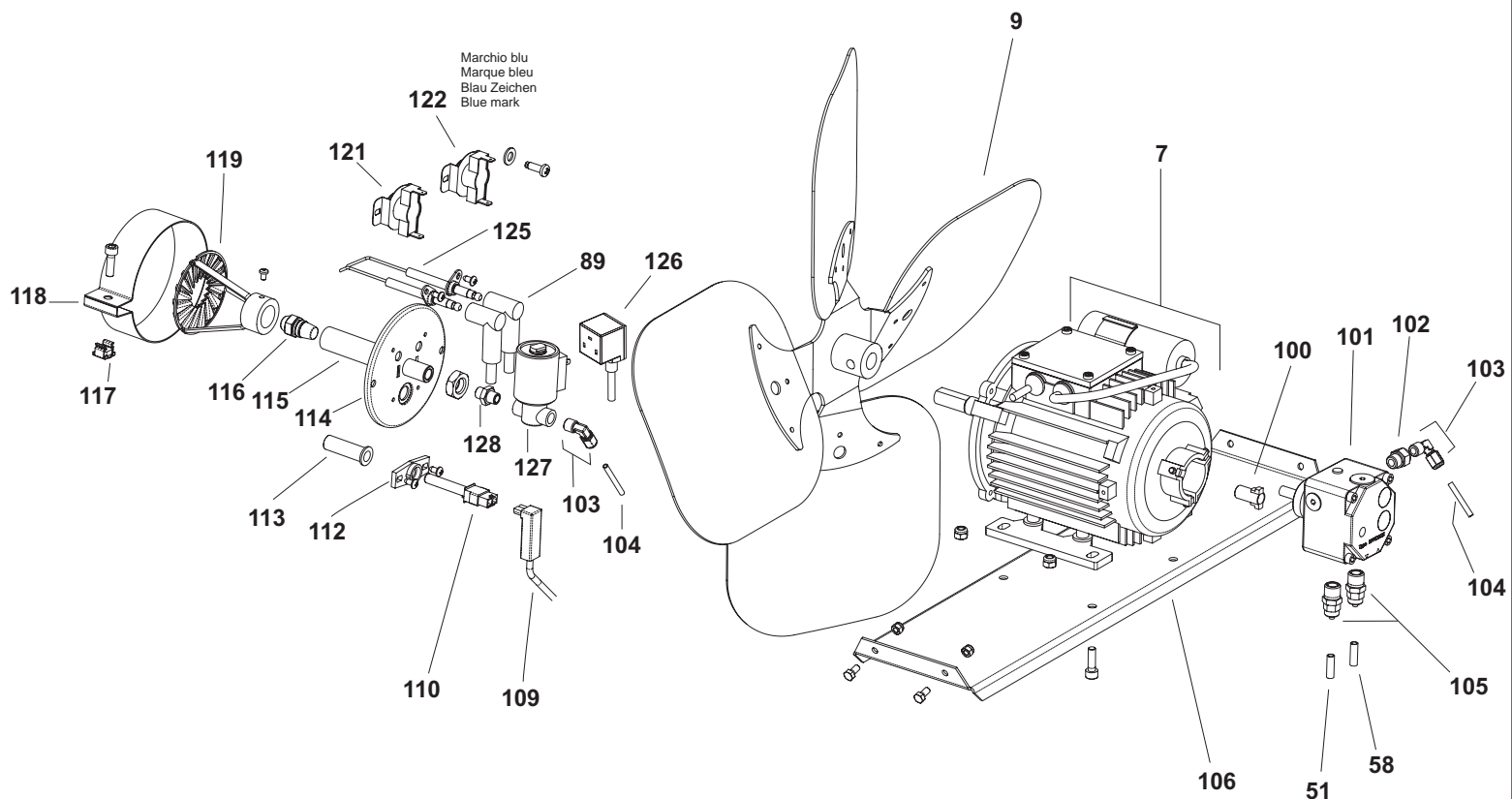
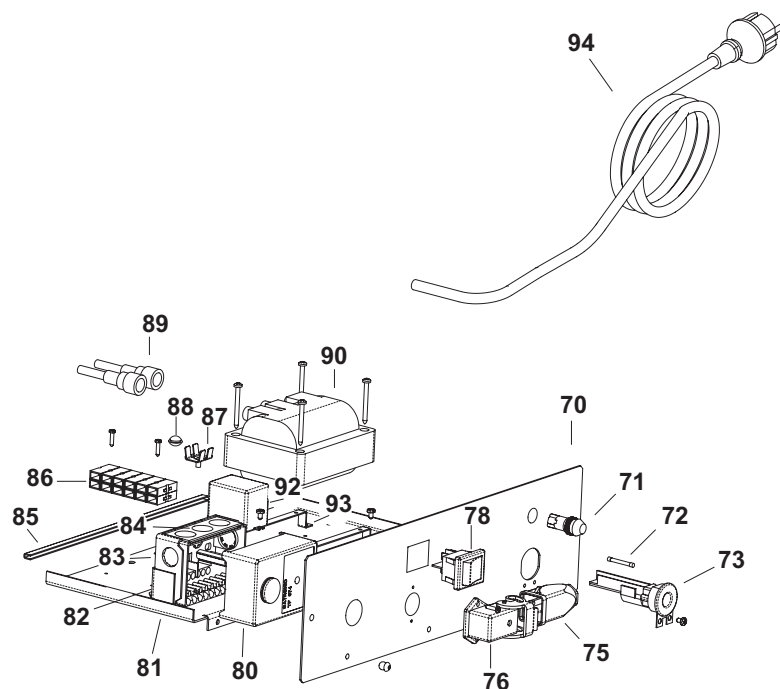
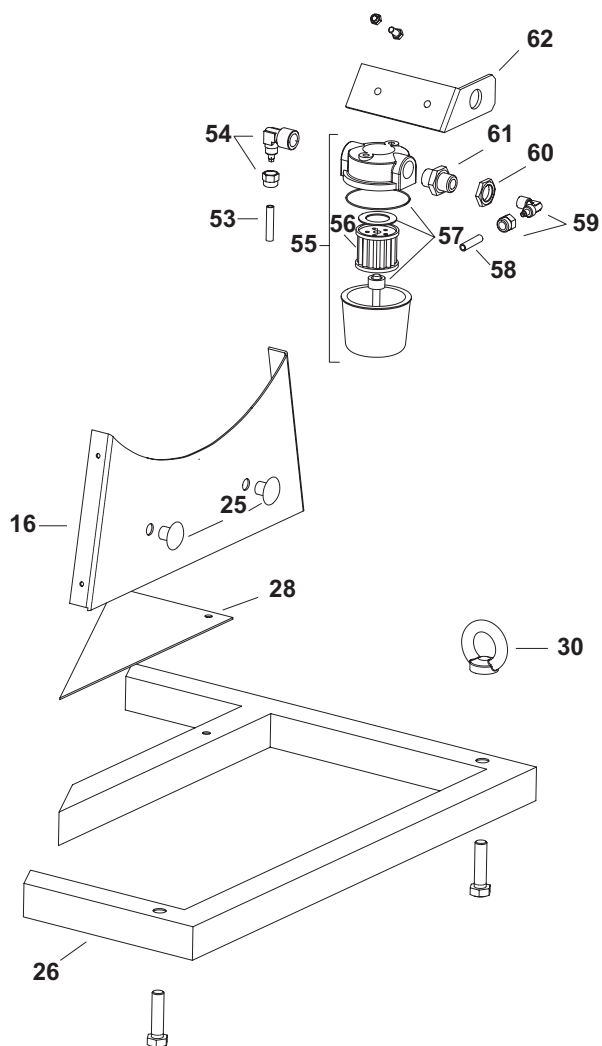


BVS 290E Suspended

UNIT 2

ILLUSTRATED PARTS BREAKDOWN

Edizione 2005
Rev. 0



MASTER SUSPENDED HEATERS BVS 290

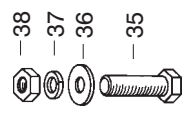

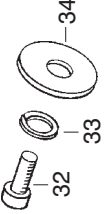




Pos.	Code NR	Description
1	S/R	Upper body
2	S/R	Upper body mobile
3	4032.534	Chimney
4	4111.241	Elastic plate
6	4032.465	Inlet grille
7	4032.431	Motor
8	4032.463	Motor flange support
9	4032.430	Fan
10	4111.056	Protection cable
11	4032.518	Central Air flap
12	4104.170	Clip nut
13	4032.452	Outlet cone
14	S/R	Lower body
15	4032.408	Combustion chamber
16	S/R	Base
17	4032.462	Air flap
18	4101.151	Protection cable
19	4032.468	Side panel
20	4032.536	Power cord hook
22	4160.646	Protection cable
25	4032.509	Rubber pin
26	4032.493	Suspending frame
27	4032.443	Base support
28	4032.489	Lower panel
29	S/R	Electr. componets drawer panel
30	4032.491	Lug
51	4032.618	Fuel pipe pump-tank
53	4032.617	Fuel pipe tank-filter
54	4031.803	Connection 90° 3/8"
55	4111.045	Filter with cartidge 3/8"
56	4031.015	Filter cartridge
57	4111.116	OR KIT filter
58	4032.435	Fuel pipe filter-pump
59	4111.273	Connection 90° 1/8"
60	4031.800	Conn. straight 3/8" Mx5
61	4031.802	Double screw
62	4032.437	Filter support
70	4032.446	Electr. components drawer
71	4117.058	Pilot lamp 230V
72	4111.040	Fuse (6,3x32) 10 A
73	4111.038	Cable fastener
75	4111.118	Thermostat plug
76	4111.119	Plate plug

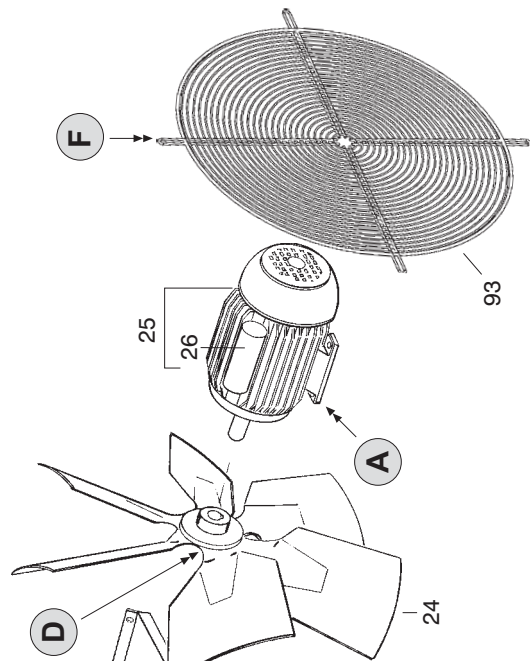
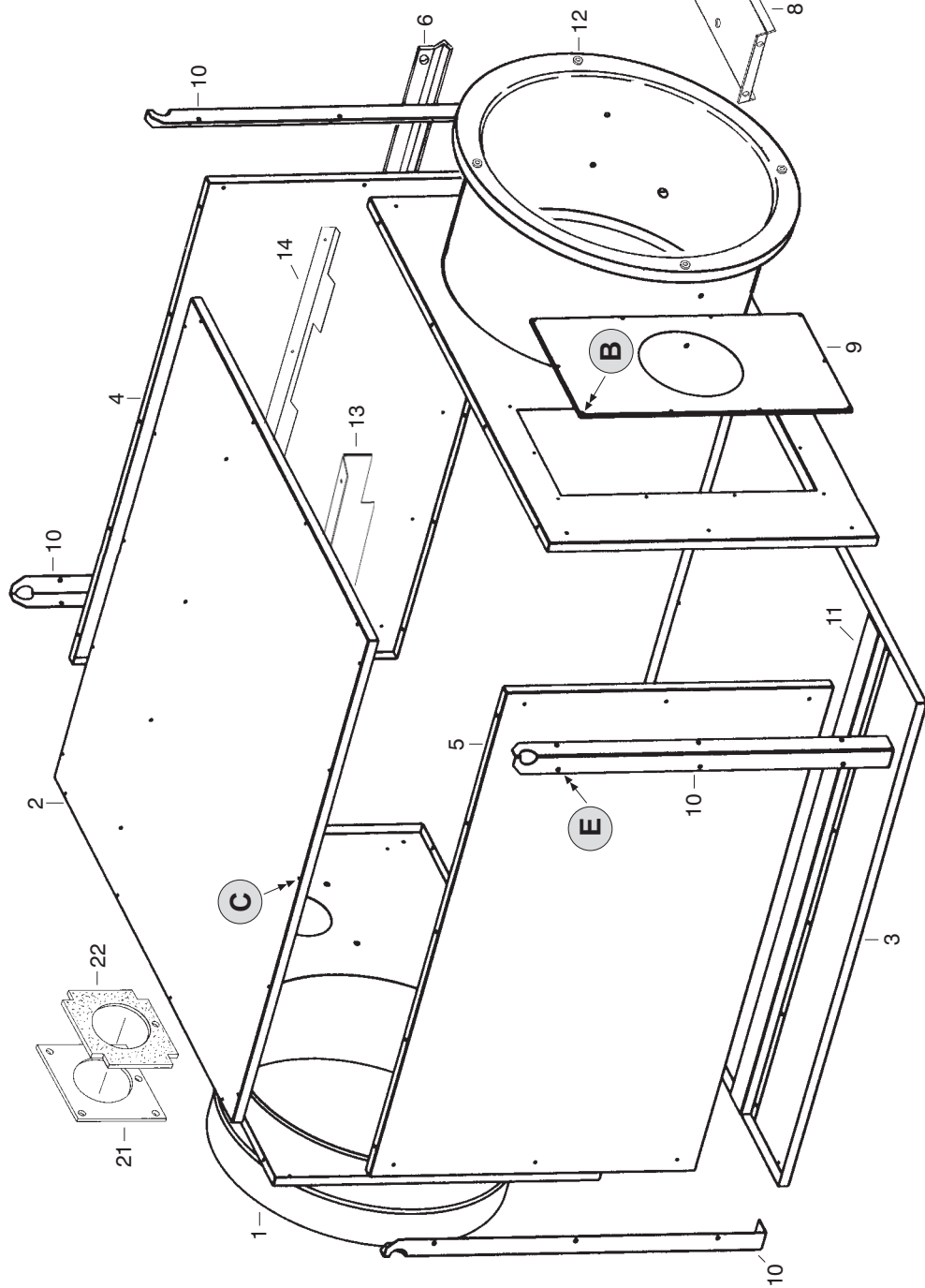
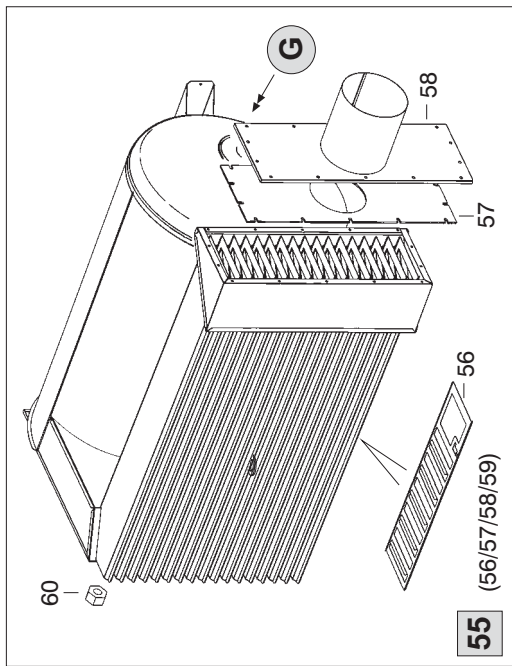
MASTER SUSPENDED HEATERS BVS 290

Pos.	Code NR	Description
78	4160.637	Switch
80	4110.968	Control box Satronic
81	4032.448	Electr. Components base
82	4032.499	Control box support
83	4110.969	Control box base
84	4110.967	Support PG photocell
85	4110.155	Edge Liner
86	4111.033	Terminal board
87	4160.639	Pop rivet with termin. 4 way
88	4032.450	Plastic pin
89	4110.971	H.T. cable
90	4031.035	Transformer
92	4111.032	Relay Finder
93	4111.030	Transformer support
94	4111.153	Power cord
100	4111.081	Coupling Simel
101	4032.432	Pump Danfoss
102	4161.501	Nut for bicone 1/8
103	4161.140	Connection 90° 1/8"
104	4032.433	Oil supply pipe
105	4031.160	Conn. Straight 1/4"
106	4032.463	Motor flange support
109	4110.970	Photocell conn. cable.
110	4110.966	Photocell
112	4111.076	Photocell block bracket
113	4032.406	Photocell support
114	4032.405	Burner flange
115	4032.403	Nozzle support
116	4031.030	Nozzle 1,50 GPH 80°S
117	4032.454	Nut M6
118	4032.453	Air regulatoin flap
119	4032.570	Turbo disc
121	4031.045	Fan Thermostat
122	4031.047	Limit Thermostat
125	4031.095	Electrode
126	4032.110	Power cord Solenoid spool
127	4102.535	Solenoid spool 230V/50Hz
128	4160.968	Conn. straight 1/8"

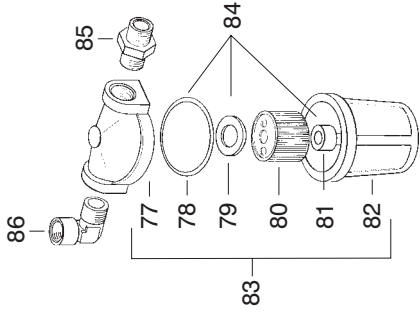
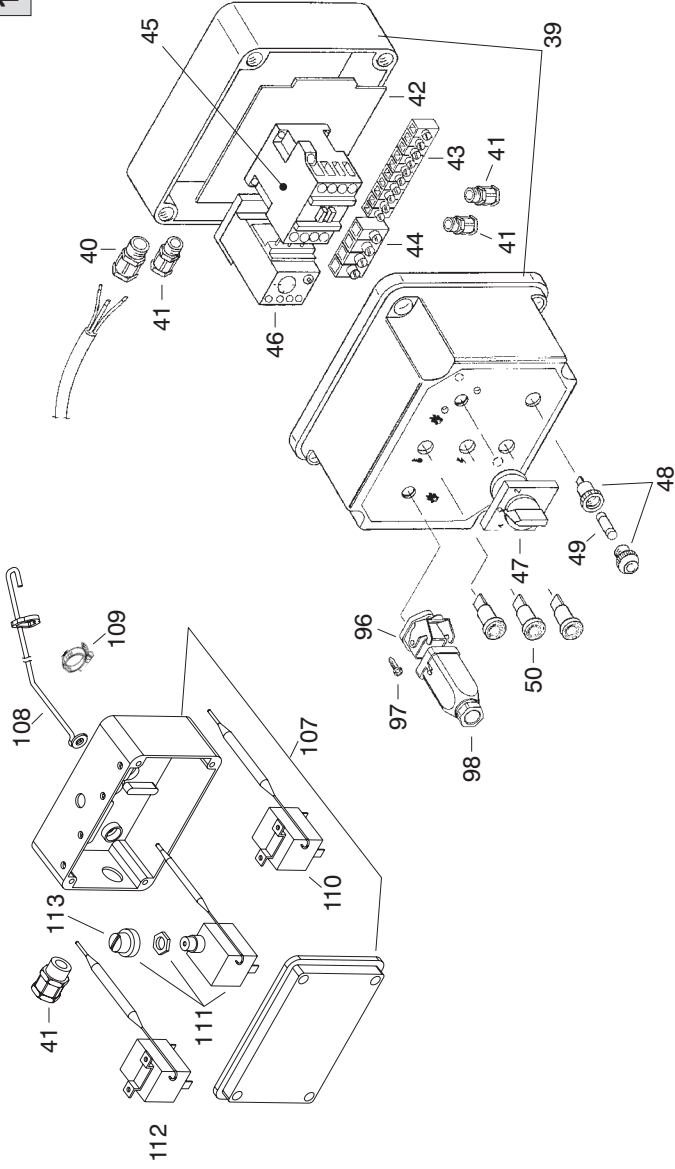
S/R – Parts available by special request only

GREEN 70 - 115

A 	B 	D 	F 
C 	E 	G 	

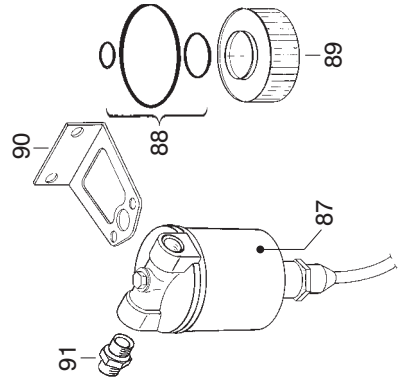


GREEN 70 - 115



Filtro gasolio - Filtre
Filter

Optional (2)
Filtro Gasolio con preriscaldato - Filtre pre-chauffage
Heizölvorwärmfilter - Oil pre-heaters filter



MASTER SUSPENDED HEATERS

MODEL GREEN 70 / 115

PARTS LIST

Position	Code	Description	70	115
1	S/R	Outlet air panel	•	
1	S/R	Outlet air panel		•
2	S/R	Upper panel	•	
2	S/R	Upper panel		•
3	S/R	Lower panel	•	
3	S/R	Lower panel		•
4	S/R	Side SX panel	•	
4	S/R	Side SX panel		•
5	S/R	Side DX panel	•	
5	S/R	Side DX panel		•
6	S/R	Electric wire cover	•	
6	S/R	Electric wire cover		•
8	4032.015	Motor support plate	•	
8	4032.016	Motor support plate		•
9	S/R	Chimney flange	•	
9	S/R	Chimney panel		•
10	S/R	Suspending frame	•	
10	S/R	Suspending frame		•
11	S/R	Comb. chamber support	•	
11	S/R	Comb. chamber support		•
12	S/R	Fan support panel	•	
12	S/R	Fan support panel		•
13	S/R	Air flap	•	
14	S/R	Air flap		•
21	4031.118	Burner support	•	
21	4032.028	Burner support		•
22	4031.201	Burner plate seal	•	•
24	4032.031	Fan	•	
24	4031.347	Fan		•
25	4032.035	Motor HP 0,75 230	•	
25	4032.036	Motor HP 1,5 230		•
26	4032.037	Capacitor mF 16	•	
26	4031.346	Capacitor mF 32		•
29	4140.675	Screw TC 8x1	•	•
30	4032.039	Screw TC 8x1/2	•	•
31	4032.040	Screw TE 14x1/2" FR	•	•
32	4032.041	Screw TE M6x16	•	
32	4032.042	Screw TE M10x30		•
33	4032.044	Spring waher ø6	•	
33	4032.043	Spring waher ø10		•
34	4140.667	Waher ø6x24x2	•	
34	4032.046	Waher ø11x35x2		•
35	4032.047	Screw TE M8x30	•	•
36	4140.668	Waher ø8x24x2,5	•	•
37	4140.669	Spring waher ø8	•	•
38	4140.671	Nut M8	•	•
39	4032.051	El. components box	•	•
40	4032.052	Cable fastener PG 11	•	•
41	4032.053	Cable fastener PG 9	•	•

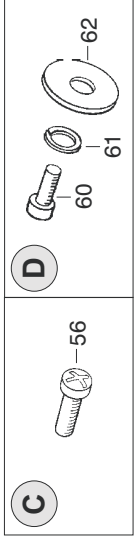
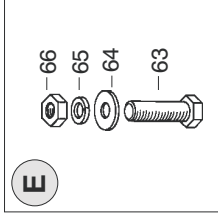
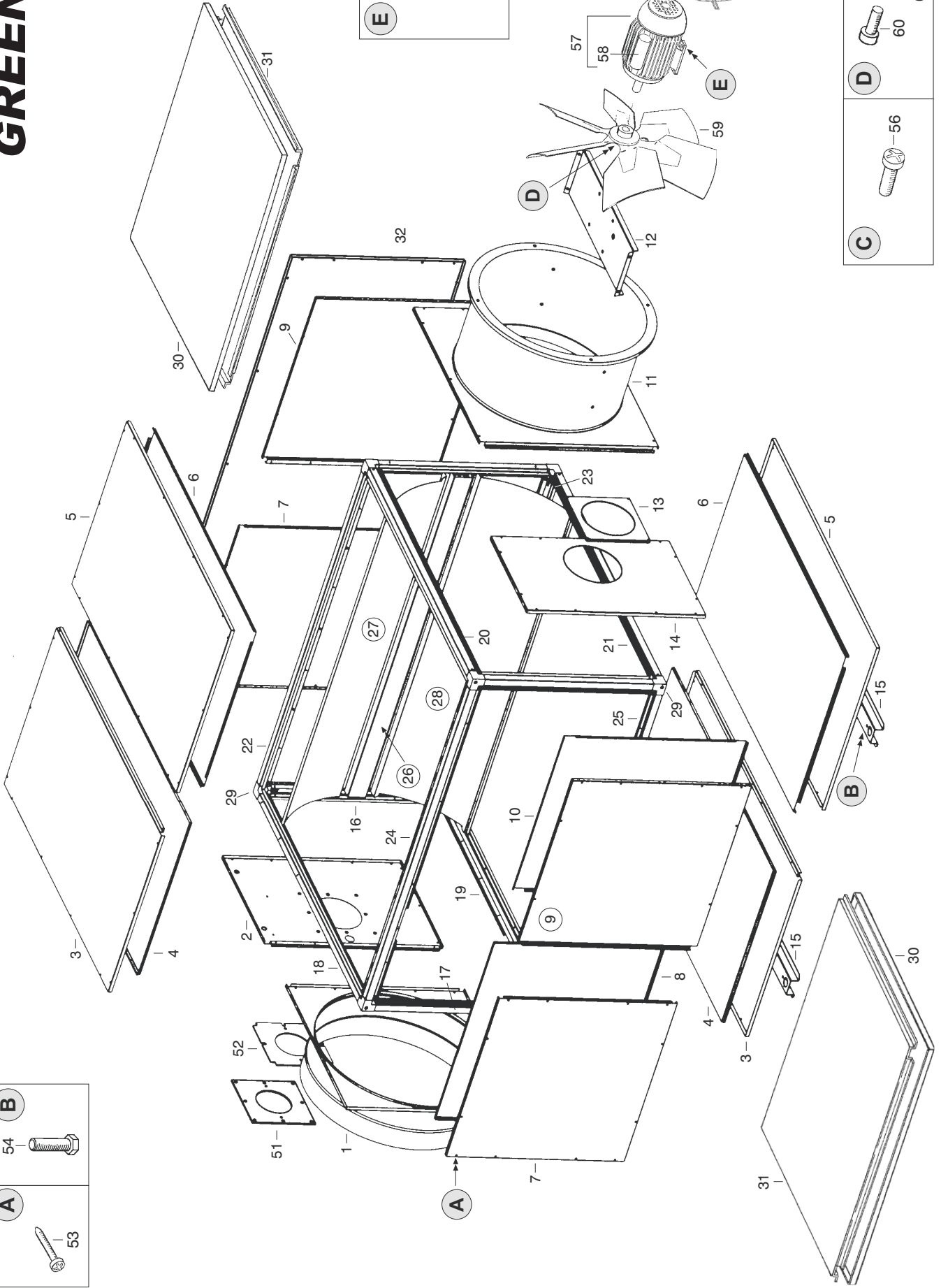
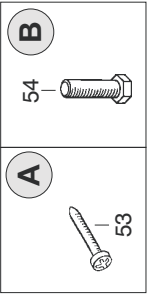
MASTER SUSPENDED HEATERS

MODEL GREEN 70 / 115

PARTS LIST

Position	Code	Description	70	115
42	4032.054	El. components supp. plate	•	•
43	4032.055	Terminal board	•	•
44	4032.056	Terminal board	•	•
45	4031.334	Contacteur Wimex	•	•
46	4032.060	Relay Iskra	•	
46	4032.063	Relay Iskra		•
47	4031.268	Control knob 1-0-2	•	•
48	4031.902	Fuse holder	•	•
49	4031.102	Fuse (5x20) A.6	•	•
50	4031.169	Red pilot lamp Ø12	•	•
55	4032.068	Combustion chamber	•	
55	4032.069	Combustion chamber		•
56	4032.070	Baffle plate	•	•
57	4031.365	Chimney seal	•	
57	4032.072	Chimney seal		•
58	4032.073	Chimney cover	•	
58	4032.074	Chimney cover		•
59	4032.075	Nut M6 brass	•	•
60	4032.076	Female plug 1"	•	•
77	4032.077	Filter head 1/4"	•	•
78	4031.150	Filter OR	•	•
79	4031.075	Upper seal	•	•
80	4031.015	Filter cartridge	•	•
81	4031.191	Lower seal	•	•
82	4031.180	Filter housing	•	•
83	4031.071	Filter 1/4"	•	•
84	4111.116	Kit OR	•	•
85	4031.302	Nipple 1/4"	•	•
86	4031.222	Connection 1/4"	•	•
87	4031.120	Oil pre-heaters filter 3/8"	•	•
88	4031.181	Kit OR	•	•
89	4031.179	Filter cartridge	•	•
90	4031.122	Filter support	•	•
91	4032.104	Nipple FE 3/8"M-1/4" M	•	•
93	4032.105	Intel grille	•	
93	4032.106	Intel grille		•
94	4032.107	Screw TC M6x16 FR	•	•
96	4032.108	Thermostat plug 3P+T	•	•
97	4032.109	Screw TC 4x1/2"	•	•
98	4031.089	Thermostat plug 3P+T	•	•
107	4032.119	El. components box	•	•
108	4032.120	Bulbs holder	•	•
109	4032.121	Clip	•	•
110	4032.122	Thermostat TY95 50/90 °C	•	•
111	4032.123	Thermostat TY95H 120 °C	•	•
112	4032.124	Thermostat TY95 20/60 °C	•	•
113	4032.125	Safety therm. plastic profile	•	•
114	4032.127	Electric control box	•	
114	4032.128	Electric control box		•

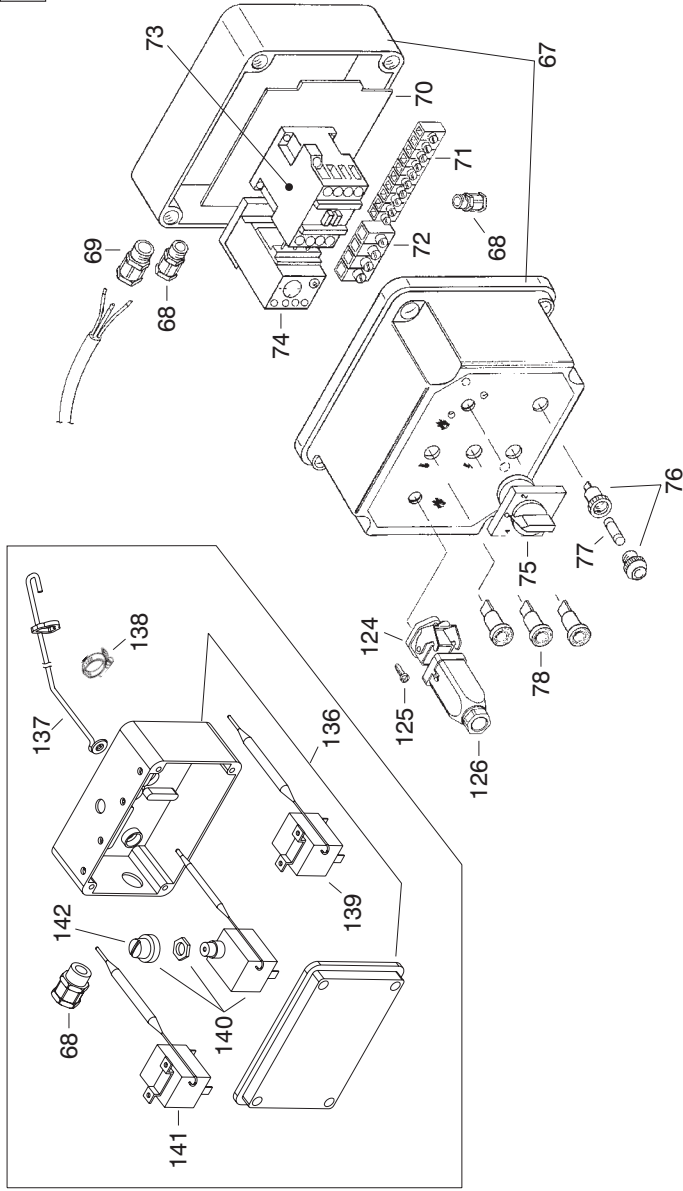
GREEN 200



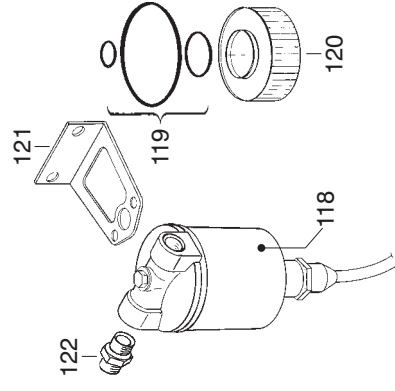
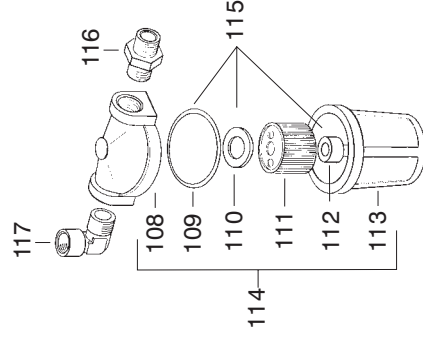
GREEN 200

83 (84/85/86/87)

143



Optional (2)
 Filtro Gasolio con preriscaldato - Filtre pre-chauffage
 Heizölvorwärmfilter - Oil pre-heaters filter



Filtro Gasolio - Filtre - Filter

MASTER SUSPENDED HEATERS

MODEL GREEN 200

PARTS LIST

Position	Code	Description
1	S/R	Outlet air panel
2	S/R	Burner panel
3	S/R	Upper upper panel
4	S/R	Inner panel for 4032.135
5	S/R	Rear upper panel
6	S/R	Inner panel for 4032.137
7	S/R	Side front panel
8	S/R	Inner panel for 4032.139
9	S/R	Side rear panel
10	S/R	Inner panel for 4032.141
11	S/R	Fan support panel
12	4032.144	Motor support plate
13	4032.145	Chimney flange Ø200
14	4032.146	Chimney panel
15	S/R	Suspending frame
16	S/R	Vertical SX angle steel
17	S/R	Vertical DX angle steel
18	S/R	Front upper angle steel
19	S/R	Front lower angle steel
20	S/R	Rear upper angle steel
21	S/R	Rear lower angle steel
22	S/R	Upper long SX angle steel
23	S/R	Lower long SX angle steel
24	S/R	Lower long DX angle steel
25	S/R	Lower long DX angle steel
26	4032.158	Comb. Chamber support
27	4032.159	Comb. Chamber SX support
28	4032.160	Comb. Chamber DX support
29	4032.161	Aluminum joint
51	4032.162	Burner support
52	4031.322	Burner plate seal
53	4140.675	Screw TC 8x1
54	4032.089	Screw TE M8x25
55	4032.164	Intel grille
56	4032.107	Screw TC M6x16 FR
57	4032.166	Motor HP 3 230
59	4031.328	Fan Ø630
60	4032.169	Screw TE M10x20
61	4032.043	Spring wahaer ø10
62	4032.046	Washer Ø11xØ35x2
63	4140.681	Screw TE M8x30
64	4032.048	Wahaer ø8x24x2,5
65	4140.688	Spring wahaer ø8
66	4140.671	Nut M8

MASTER SUSPENDED HEATERS

MODEL GREEN 200

PARTS LIST

Position	Code	Description
67	4032.171	El. components box
68	4032.053	Cable fastener PG 9
69	4032.283	Cable fastener PG 13
70	4032.054	El. components supp. plate
71	4032.055	Terminal board 12 el. m ² 6
72	4032.056	Terminal board 12 el. m ² 10
73	4032.057	Contacteur Wimex KN12
74	4032.061	Relay Iskra
75	4031.268	Control knob 1-0-2
76	4031.902	Fuse holder
77	4031.102	Fuse (5x20) A.6
78	4031.169	Red pilot lamp Ø12
83	4032.173	Combustion chamber
84	4032.174	Baffle plate
85	4031.366	Chimney seal
86	4032.176	Chimney cover
87	4032.075	Nut M6 brass
88	4032.076	Female plug 1"
104	4032.186	Spring washer Ø6x13x1,5
108	4032.077	Filter head 1/4"
109	4031.150	Filter OR
110	4031.075	Upper seal
111	4031.015	Filter cartridge
112	4031.191	Lower seal
113	4031.180	Filter housing
114	4031.071	Filter 1/4"
115	4111.116	Kit OR
116	4031.302	Nipple 1/4"
117	4031.222	Connection 1/4"
118	4031.120	Oil pre-heaters filter 3/8"
119	4031.181	Kit OR
120	4031.179	Filter cartridge
121	4031.122	Filter support
122	4032.104	Nipple FE 3/8"M-1/4" M
124	4032.108	Thermostat plug 3P+T
125	4032.109	Screw TC 4x1/2"
126	4031.089	Thermostat plug 3P+T
137	4032.120	Bulbs holder
138	4032.121	Clip
139	4032.122	Thermostat TY95 50/90 °C
140	4032.123	Thermostat TY95H 120 °C
141	4032.124	Thermostat TY95 20/60 °C
142	4032.125	Safety therm. plastic profile
143	4032.192	Electric control box

High output indirect oil heaters

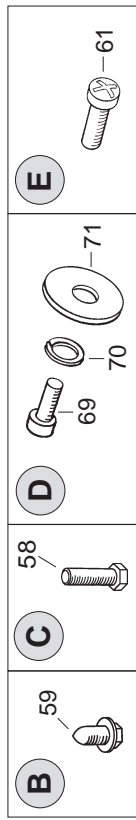
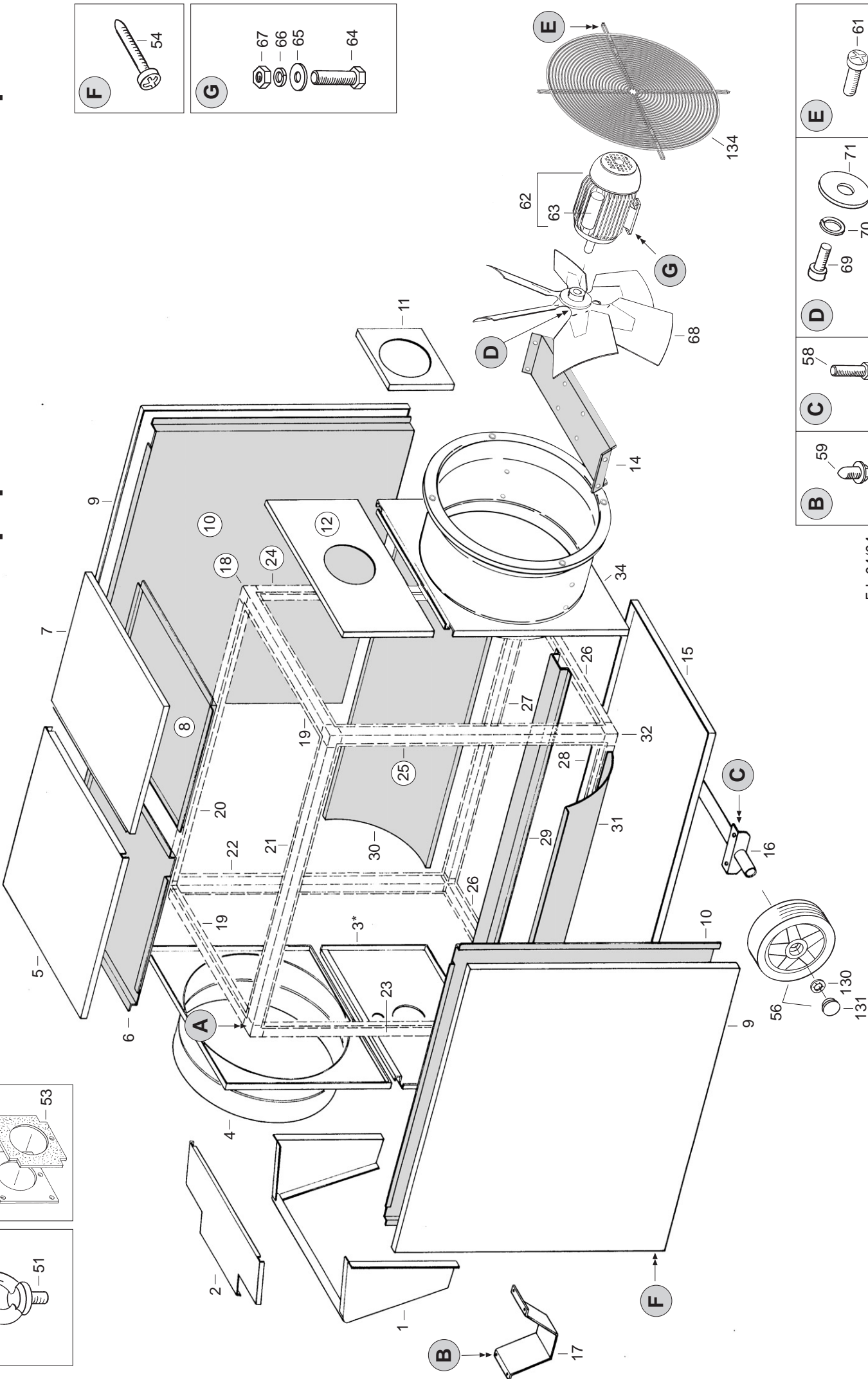
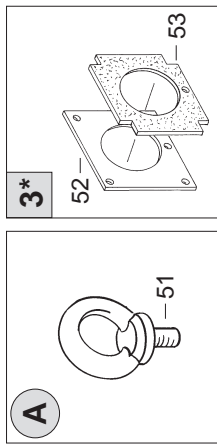


Heater capacity: 81 / 105 / 134 / 220 kW

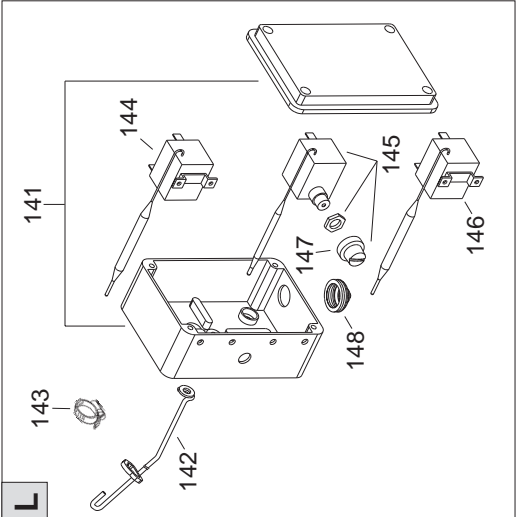
Models

BV 300 / BV 360 / BV 460 / BV 680

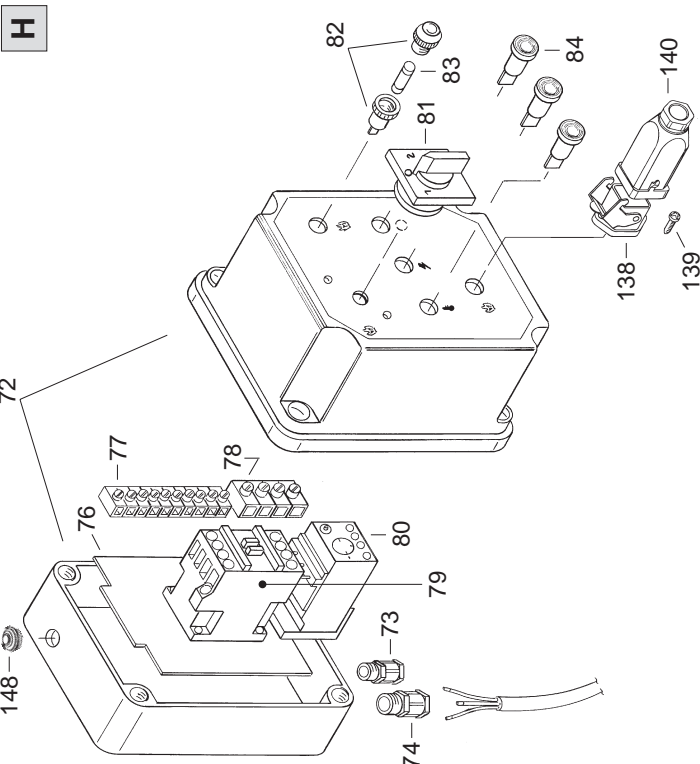
6J · \$9 · # · 6J · * \$9



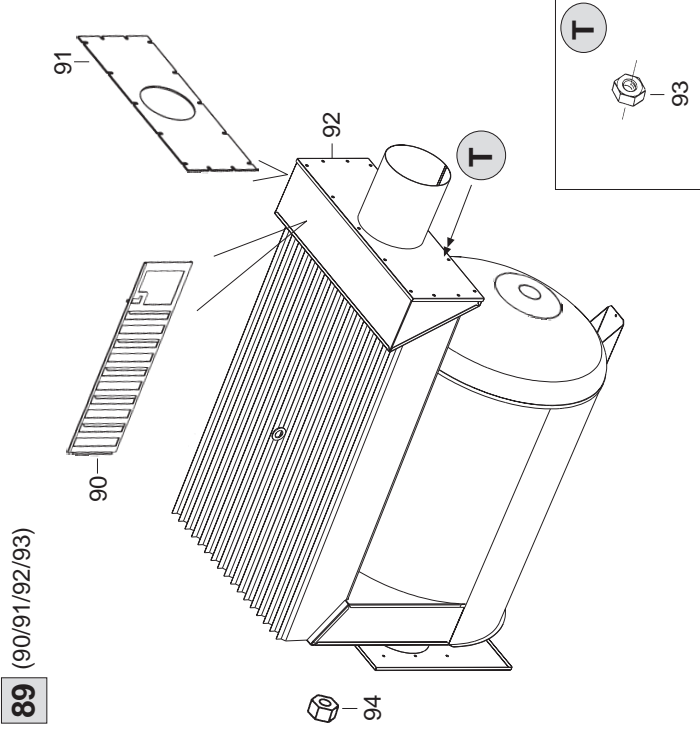
L



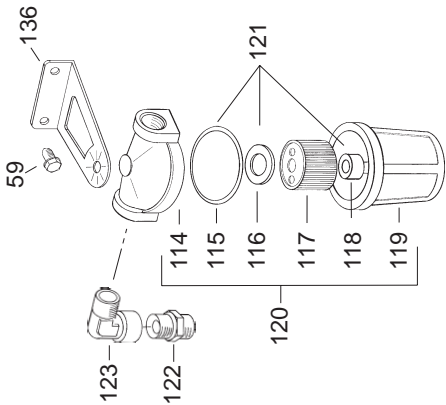
H



89 (90/91/92/93)



Optional (2)
Filtro gasolio con preriscaldamento
Filtre gasoil pre-chauffage
Heizölvorwärmfilter - Oil pre-heaters filter



Filtro Gasolio - Filtre - Filter - Filter

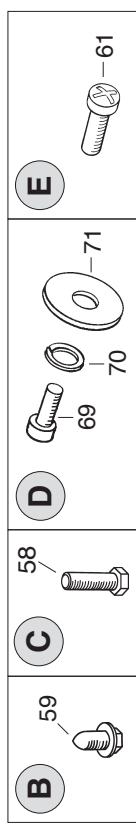
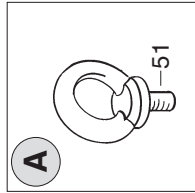
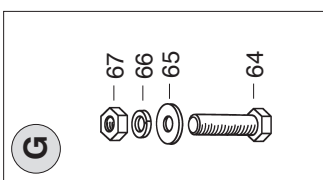
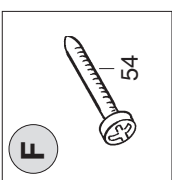
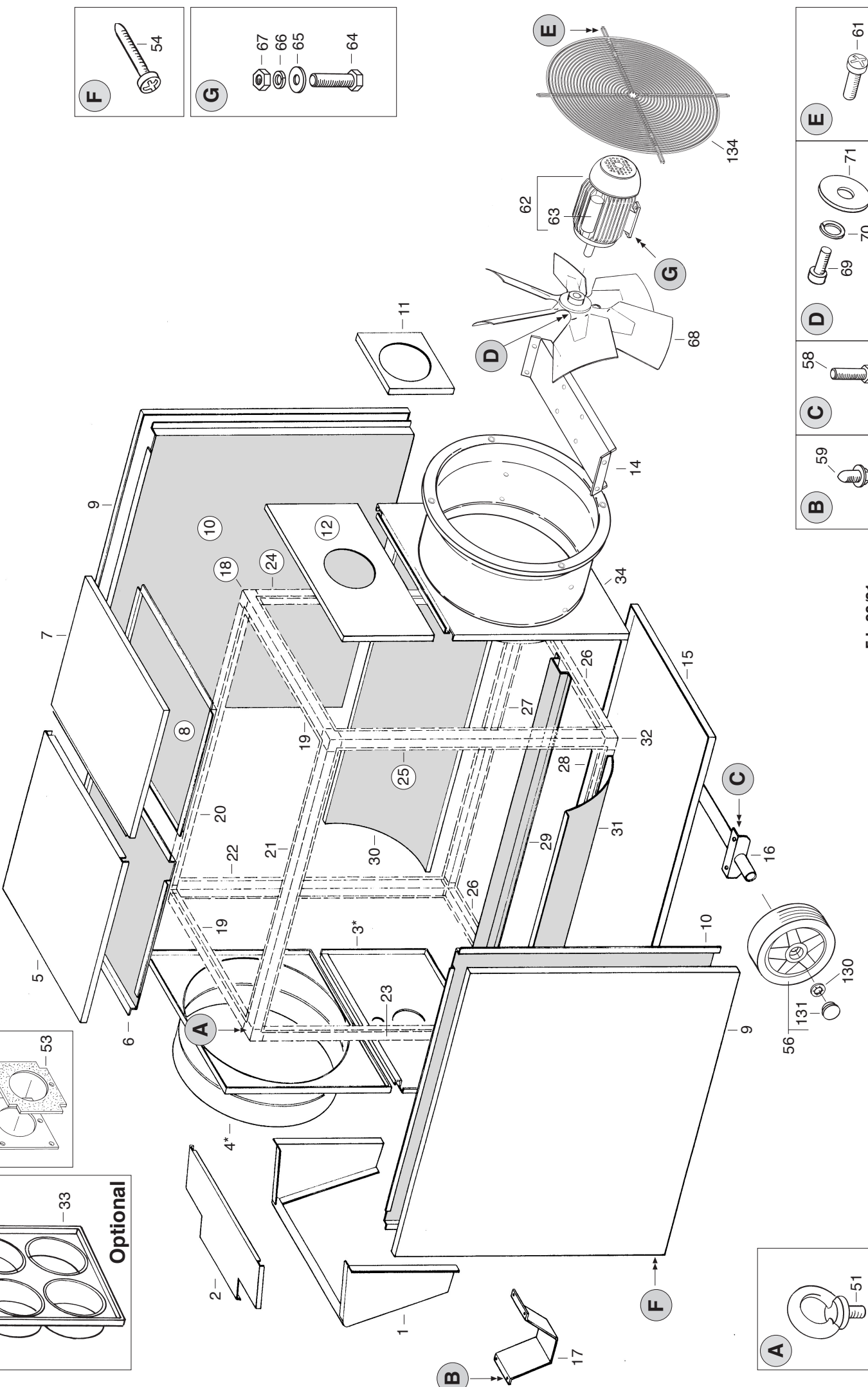
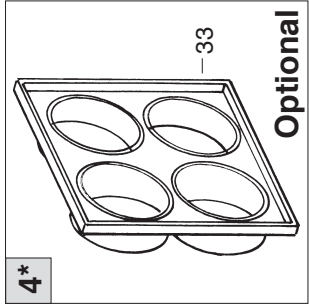
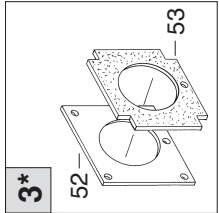
MASTER HIGH OUTPUT INDIRECT HEATERS BV 300 E / BV 360 E

Pos.	Description	BV 300	BV 360
1	Burner casing	S/R	S/R
2	Burner casing top cover	S/R	S/R
3	Burner panel	S/R	S/R
4	Outlet air panel	S/R	S/R
5	Front upper panel	S/R	S/R
6	Inner panel	S/R	S/R
7	Rear upper panel	S/R	S/R
8	Inner panel	S/R	S/R
9	Side panel	S/R	S/R
10	Inner panel	S/R	S/R
11	Chimney flange Ø150	S/R	S/R
12	Chimney panel	S/R	S/R
14	Motor support plate	4032.015	4031.583
15	Bottom panel	S/R	S/R
16	Wheels axle	S/R	S/R
17	Front support	4031.183	4031.183
18	Aluminum joint with nut M10	S/R	S/R
19	Upper short angle steel	S/R	S/R
20	Upper long SX angle steel	S/R	S/R
21	Upper long DX angle steel	S/R	S/R
22	Vertical front SX angle steel	S/R	S/R
23	Vertical front DX angle steel	S/R	S/R
24	Vertical back SX angle steel	S/R	S/R
25	Vertical back DX angle steel	S/R	S/R
26	Lower short angle steel	S/R	S/R
27	Lower long SX angle steel	S/R	S/R
28	Lower long DX angle steel	S/R	S/R
29	Comb. chamber support	S/R	S/R
30	Comb. chamber SX support	S/R	S/R
31	Comb. chamber DX support	S/R	S/R
32	Aluminum joint	S/R	S/R
34	Fan support panel	S/R	S/R
51	Suspending ring screw M10	4031.332	4031.332
52	Burner support	4032.027	4032.027
53	Burner plate seal	4031.201	4031.201
54	Screw TC 8x1"	4032.030	4032.030
56	Wheel Ø250	4031.134	4031.134
58	Screw TE M8x25	4032.089	4032.089
59	Screw TE14x1/2" FR	4032.040	4032.040
61	Screw TC M6x16 F.R.	4032.107	4032.107
62	Motor	4032.033	4031.584
63	Condenser	4032.037	4031.346
64	Screw TE M8x30	4032.047	4032.047
65	Washer	4032.048	4032.048
66	Spring washer	4140.669	4140.669
67	Nut M8	4140.671	4140.671
68	Fan	4032.031	4031.585
69	Screw TE M6x16	4032.041	4032.041
70	Spring washer Ø 6	4032.044	4032.044
71	Washer	4032.045	4032.045
72	El. components box	4031.580	4031.586

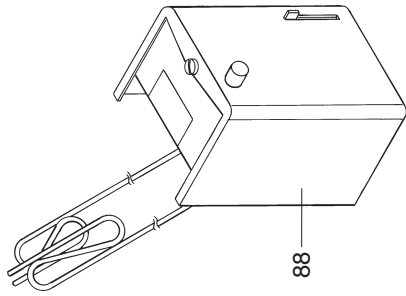
MASTER HIGH OUTPUT INDIRECT HEATERS BV 300 E / BV 360 E

Pos.	Description	BV 300	BV 360
73	Cable fastener PG 9	4032.053	4032.053
74	Cable fastener PG 11	4032.052	4032.052
76	El. components support plate	4032.054	4032.054
77	Terminal board 12 el. mmq 6	4032.055	4032.055
78	Terminal board 12 el. mmq 10	4032.056	4032.056
79	Contacteur Wimex KN16 V220	4032.058	4032.058
80	Relay Iskra	4032.059	4032.061
81	Control Knob 1-0-2	4031.268	4031.268
82	Fuse holder	4031.902	4031.902
83	Fuse (5x20) A. 6	4031.102	4031.102
84	Red pilot lamp	4031.169	4031.169
89	Combustion chamber	4032.068	4031.587
90	Baffle plate	4032.070	4032.070
91	Chimney seal	4032.071	4032.071
92	Chimney cover	4032.073	4032.073
93	Nut M6 OT	4032.075	4032.075
94	Female plug 1"	4032.076	4032.076
114	Filter head 1/4"	4032.077	4032.077
115	Filter OR	4031.150	4031.150
116	Upper seal	4031.075	4031.075
117	Filter cartridge	4031.015	4031.015
118	Lower seal	4031.191	4031.191
119	Filter housing	4031.180	4031.180
120	Filter 1/4"	4032.096	4032.096
121	OR KIT filter	4111.116	4111.116
122	Nipple 1/4"	4031.302	4031.302
123	Connection 1/4"	4032.099	4032.099
124	Oil pre-heaters filter 3/8"	4031.120	4031.120
125	OR KIT filter	4032.101	4032.101
126	Filter cartridge	4032.102	4032.102
127	Filter support	4032.103	4032.103
128	Nipple 3/8"- 1/4"	4032.104	4032.104
130	Wheel holder Ø25	4031.177	4031.177
131	Plastic plug	4031.178	4031.178
134	Inlet grille	4032.105	4031.137
136	Filter support	4031.122	4031.122
137	Connection 3/8"	4031.581	4031.581
138	Thermostat plug 3P + T	4032.108	4032.108
139	Screw TC 4x1/2"	4032.109	4032.109
140	Plate plug 3P + T	4162.091	4162.091
141	El. components box	4031.582	4031.582
142	Bulbs holder	4032.120	4032.120
143	Clip	4032.121	4032.121
144	Thermostat TY95 30/90 °C	4032.122	4032.122
145	Thermostat TY95H 120 °C	4032.123	4032.123
146	Thermostat TY95 0/60 °C	4032.124	4032.124
147	Safety thermostat plastic profile	4032.125	4032.125
148	Cable protection Ø19	4162.101	4162.101

S/R = Parts available by special request only

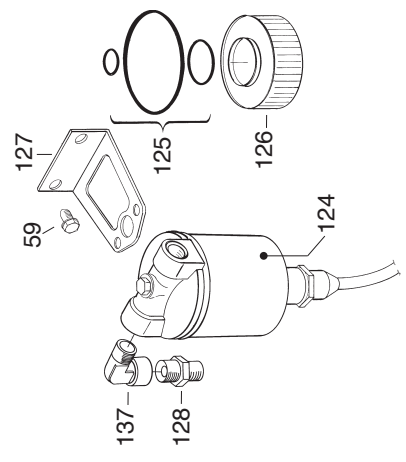
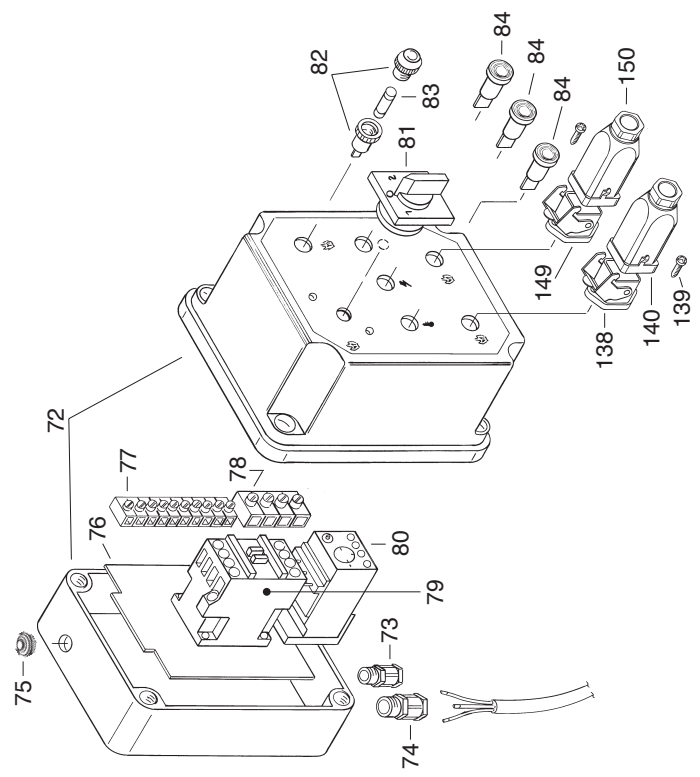


L

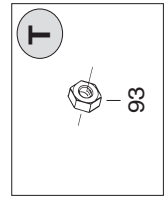
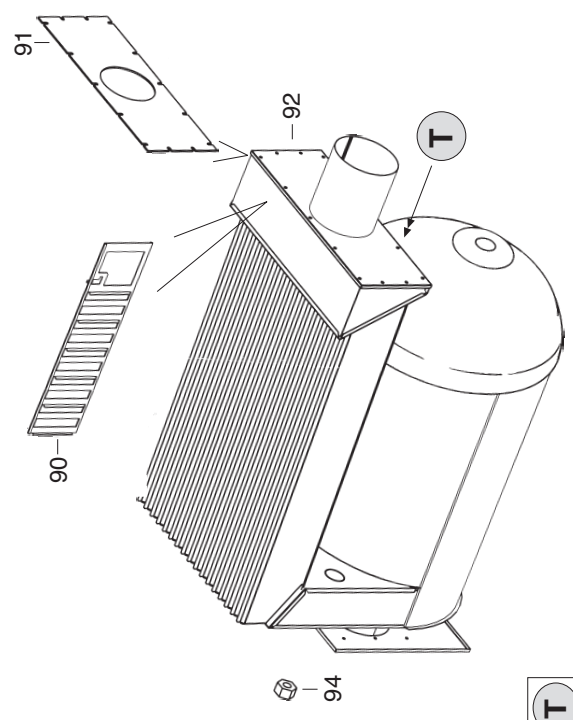


H

Optional (2)
 Filtro gasolio con preriscaldio
 Filtre gasoil pre-chauffage
 Heizölvorwärmler - Oil pre-heaters filter



89 (90/91/92/93)



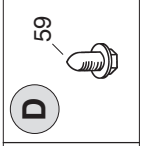
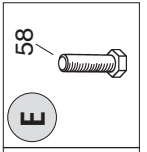
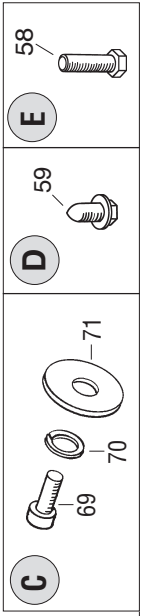
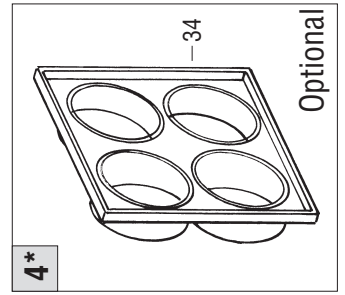
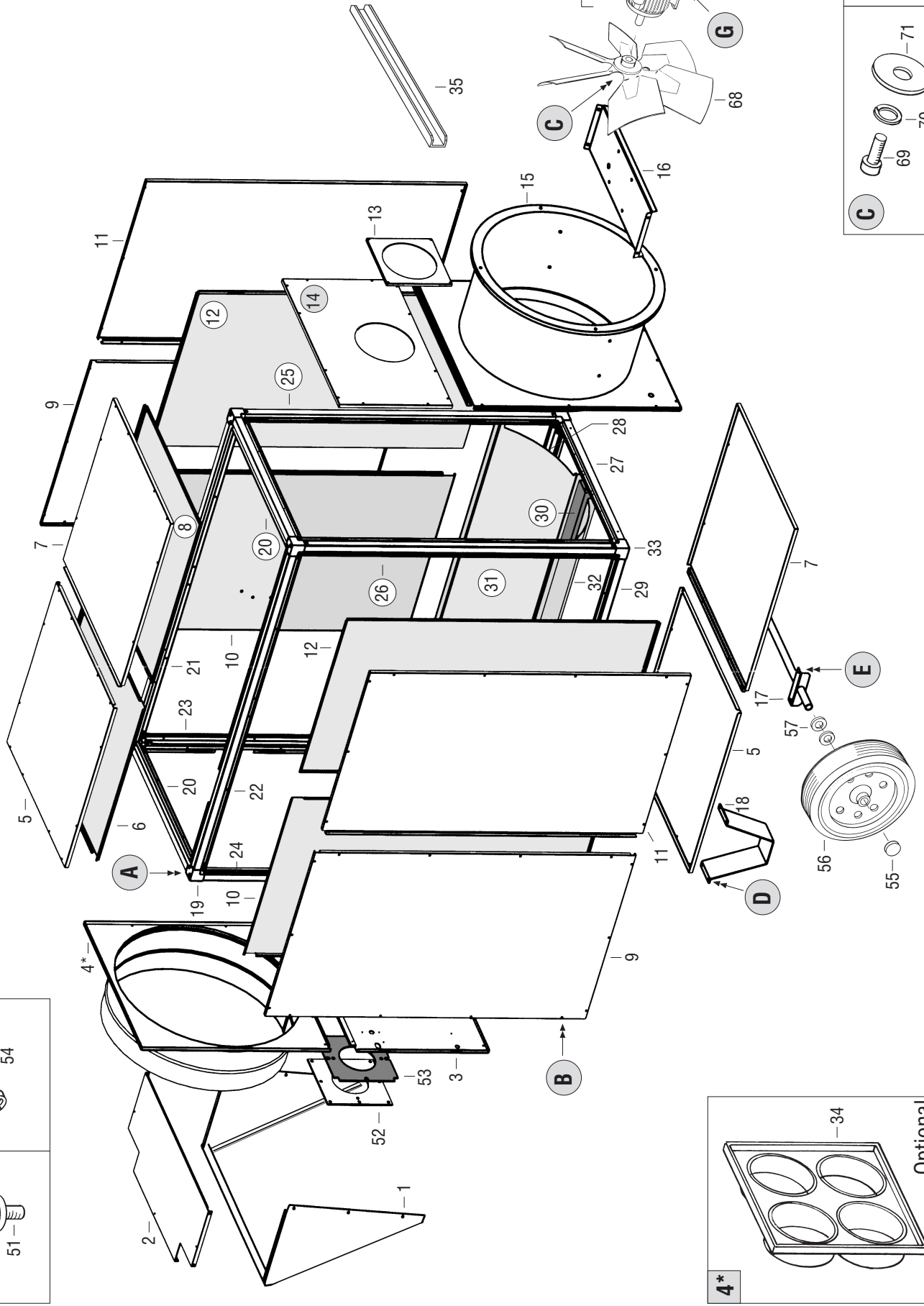
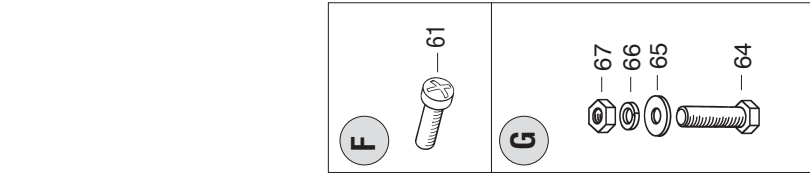
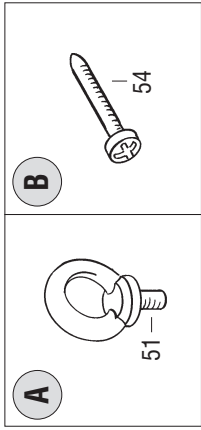
MASTER HIGH OUTPUT INDIRECT HEATERS BV 460 E

Pos.	Code NR	Description
1	4031.342	Burner casing
2	4031.343	Burner casing top cover
3	S/R	Burner panel
4	4031.890	Outlet air panel Ø584
5	S/R	Front upper panel
6	S/R	Inner panel
7	S/R	Rear upper panel
8	S/R	Inner panel
9	S/R	Side panel
10	S/R	Inner panel
11	4032.221	Chimney flange Ø200
12	S/R	Chimney panel
14	4032.016	Motor support plate
15	4032.222	Bottom panel
16	4031.344	Wheels axle
17	4031.183	Front support
18	4031.331	Aluminum joint with nut M10
19	S/R	Upper short angle steel
20	S/R	Upper long SX angle steel
21	S/R	Upper long DX angle steel
22	S/R	Vertical front SX angle steel
23	S/R	Vertical front DX angle steel
24	S/R	Vertical back SX angle steel
25	S/R	Vertical back DX angle steel
26	S/R	Lower short angle steel
27	S/R	Lower long SX angle steel
28	S/R	Lower long DX angle steel
29	S/R	Comb. chamber support
30	S/R	Comb. chamber SX support
31	S/R	Comb. chamber DX support
32	4032.161	Aluminum joint
33	4013.227	4 Ways Ø275 panel
34	S/R	Fan support panel
51	4031.332	Suspending ring screw M10
52	4032.028	Burner support (Minor 20-Blu 170)
53	4031.201	Burner plate seal 210x210x5
54	4140.675	Screw TC 8x1"
56	4031.386	Wheel Ø250
58	4032.089	Screw TE M8x25
59	4032.040	Screw TE14x1/2" FR
61	4032.107	Screw TC M6x16 F.R.
62	4031.345	Motor HP 1,5 V.230/50 1Ph
63	4031.346	Condenser mF 32
64	4032.047	Screw TE M8x30
65	4140.668	Washer Ø8xØ24x2,5
66	4140.669	Spring washer Ø8
67	4140.671	Nut M8

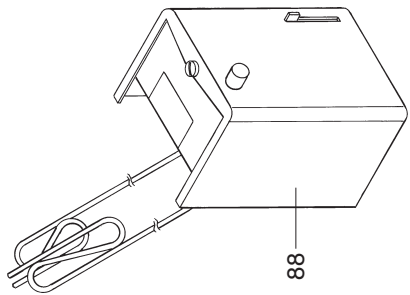
MASTER HIGH OUTPUT INDIRECT HEATERS BV 460 E

Pos.	Code NR	Description
68	4031.347	Fan Ø560
69	4032.169	Screw TE M10x20
70	4032.043	Spring washer Ø10
71	4032.046	Washer Ø11xØ35x2
72	4031.355	El. components box
73	4032.053	Cable fastener PG 9
74	4032.052	Cable fastener PG 11
75	4162.101	Cable protection Ø18
76	4032.054	El. components support plate
77	4032.055	Terminal board 12 el. mmq 6
78	4032.056	Terminal board 12 el. mmq 10
79	4031.334	Contacteur Wimex KN16 V220
80	4032.061	Relay Iskra TRB14 A. 6-10
81	4031.268	Control Knob 1-0-2
82	4031.902	Fuse holder
83	4031.102	Fuse (5x20) A. 6
84	4031.169	Red pilot lamp Ø12 V230
88	4031.194	Bithermostat
89	4032.069	Combustion chamber
90	4032.070	Baffle plate
91	4032.072	Chimney seal 513x248x5
92	4032.074	Chimney cover
93	4032.075	Nut M6 OT
94	4032.076	Female plug 1"
124	4032.100	Oil pre-heaters filter 3/8"
125	4111.116	OR KIT filter
126	4031.179	Filter cartridge
127	4031.122	Filter support
128	4032.104	Nipple 3/8"- 1/4"
130	4031.177	Wheel holder Ø25
131	4031.178	Plastic plug
134	S/R	Inlet grille
137	S/R	Connection 3/8"
138	4032.108	Thermostat plug 3P + T
139	4032.109	Screw TC 4x1/2"
140	4031.089	Plate plug 3P + T
149	S/R	Thermostat plug 4P + T
150	4031.087	Plate plug 4P + T

S/R = Parts available by special request only

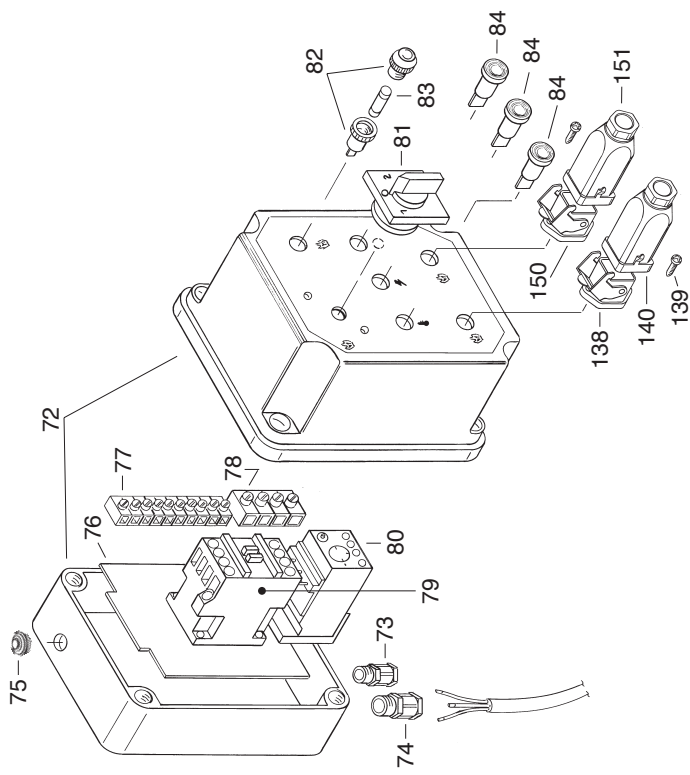


L

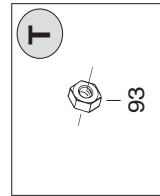
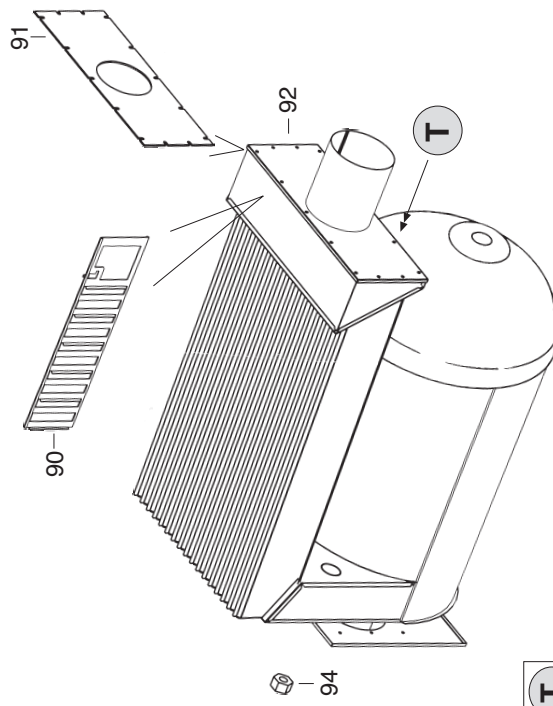


H

Optional (2)
 Filtro gasolio con preriscaldito
 Filtre gasoil pre-chauffage
 Heizölvorwärmfilter - Oil pre-heaters filter



89 (90/91/92/93)



MASTER HIGH OUTPUT INDIRECT HEATERS BV 680 E

Pos.	Code NR	Description
1	4031.187	Burner casing
2	4031.184	Burner casing top cover
3	S/R	Burner panel
4	4013.238	Outlet air panel Ø 684
5	S/R	Front upper panel
6	4032.140	Inner panel
7	S/R	Rear upper panel
8	4031.142	Inner panel
9	S/R	Side front panel
10	4032.136	Inner panel
11	S/R	Side rear panel
12	4032.138	Inner panel
13	4032.221	Chimney flange Ø200
14	S/R	Chimney panel
15	4031.886	Fan support panel
16	4031.887	Motor support plate
17	4031.320	Wheels axle
18	4031.321	Front support
19	4031.331	Aluminum joint with nut M10
20	S/R	Upper short angle steel
21	S/R	Upper long SX angle steel
22	S/R	Upper long DX angle steel
23	S/R	Vertical front SX angle steel
24	S/R	Vertical front DX angle steel
25	S/R	Vertical back SX angle steel
26	S/R	Vertical back DX angle steel
27	S/R	Lower short angle steel
28	S/R	Lower long SX angle steel
29	S/R	Lower long DX angle steel
30	4032.158	Comb. chamber support
31	4032.159	Comb. chamber SX support
32	4032.160	Comb. chamber DX support
33	4032.161	Aluminum joint
34	4013.239	4 Ways Ø290 panel
35	S/R	Reinforced frame
51	4031.332	Suspending ring screw M10
52	4032.162	Burner support
53	4031.322	Burner plate seal 250x250x5
54	4140.675	Screw TC 8x1"
55	4031.323	Wheel holder
56	S/R	Wheel Ø385
57	4031.325	Washer Ø26xØ44x4
58	4032.089	Screw TE M8x25
59	4032.040	Screw TE14x1/2" F.R.
60	4032.164	Inlet grille
61	4032.107	Screw TC M6x16 F.R.
62	4031.326	Motor HP 3 V.230/50 1Ph
63	4031.327	Condenser mF 65

MASTER HIGH OUTPUT INDIRECT HEATERS BV 680 E

Pos.	Code NR	Description
64	4032.047	Screw TE M8x30
65	4140.668	Washer Ø8xØ24x2,5
66	4140.669	Spring washer Ø8
67	4140.671	Nut M8
68	4031.328	Fan Ø630
69	4032.169	Screw TE M10x20
70	4032.043	Spring washer Ø10
71	4032.046	Washer Ø11xØ35x2
72	4031.367	El. components box
73	4032.053	Cable fastener PG 9
74	4032.052	Cable fastener PG 11
75	4162.101	Cable protection Ø18
76	4032.054	El. components support plate
77	4032.055	Terminal board 12 el. mmq 6
78	4032.056	Terminal board 12 el. mmq 10
79	4031.334	Contacteur Wimex
80	4031.336	Relay Iskra
81	4031.268	Control Knob 1-0-2
82	4031.206	Fuse holder
83	4031.102	Fuse (5x20) A. 6
84	4031.169	Red pilot lamp Ø12 V230
88	4031.194	Bithermostat
89	S/R	Combustion chamber
90	4032.174	Baffle plate
91	4031.366	Chimney seal 671x248x5
92	S/R	Chimney cover
93	4032.075	Nut M6 OT
94	4032.076	Female plug 1"
112	4032.186	Washer Ø6xØ13x1,5
124	4032.100	Oil pre-heaters filter 3/8"
125	4111.116	OR KIT filter
126	4031.179	Filter cartridge
127	4031.122	Filter support
128	4032.104	Nipple 3/8"- 1/4"
137	S/R	Connection 3/8"
138	4032.108	Thermostat plug 3P + T
139	4032.109	Screw TC 4x1/2"
140	4031.089	Plate plug 3P + T
150	S/R	Thermostat plug 4P + T
151	4031.087	Plate plug 4P + T

S/R = Parts available by special request only

Cabinet heaters

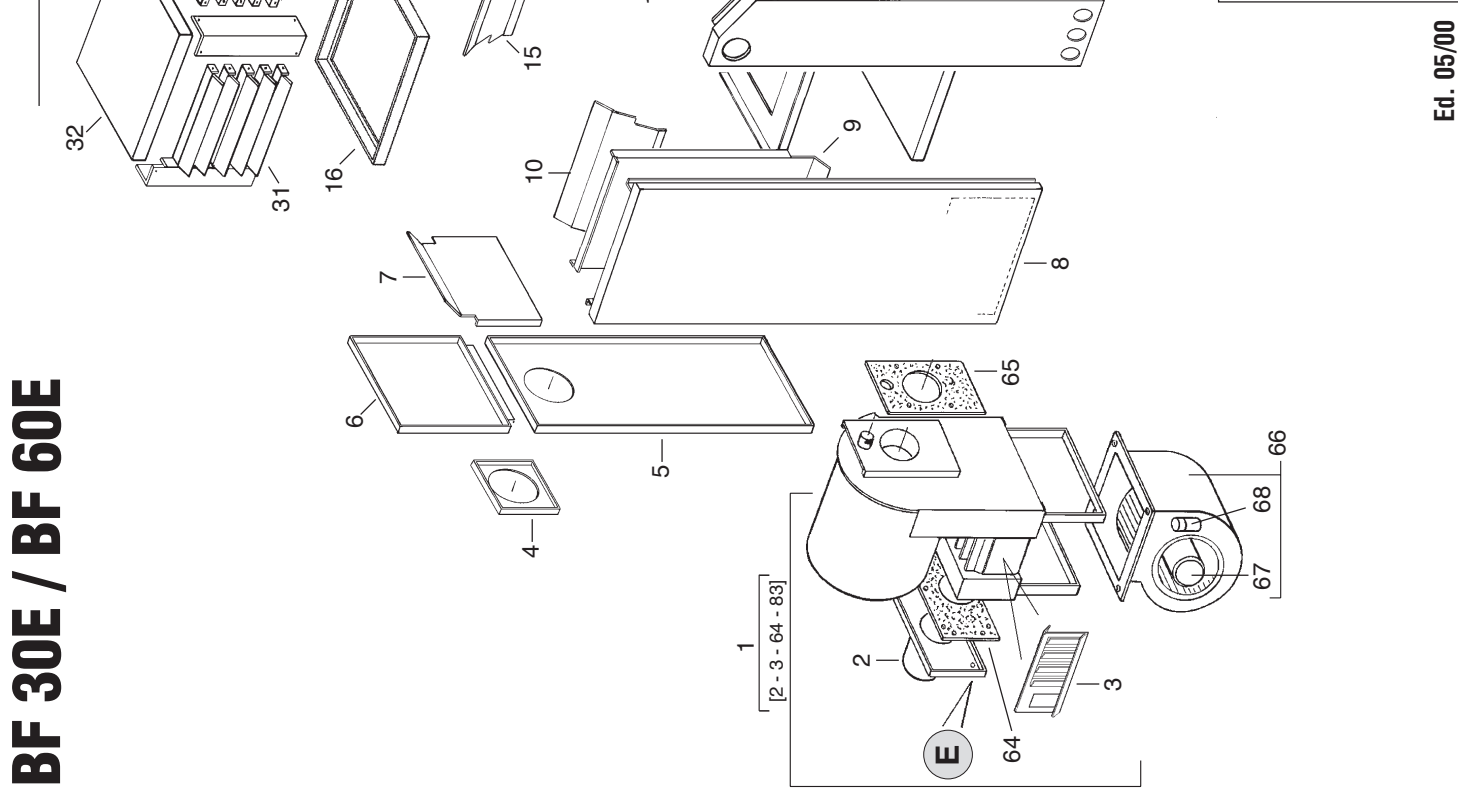
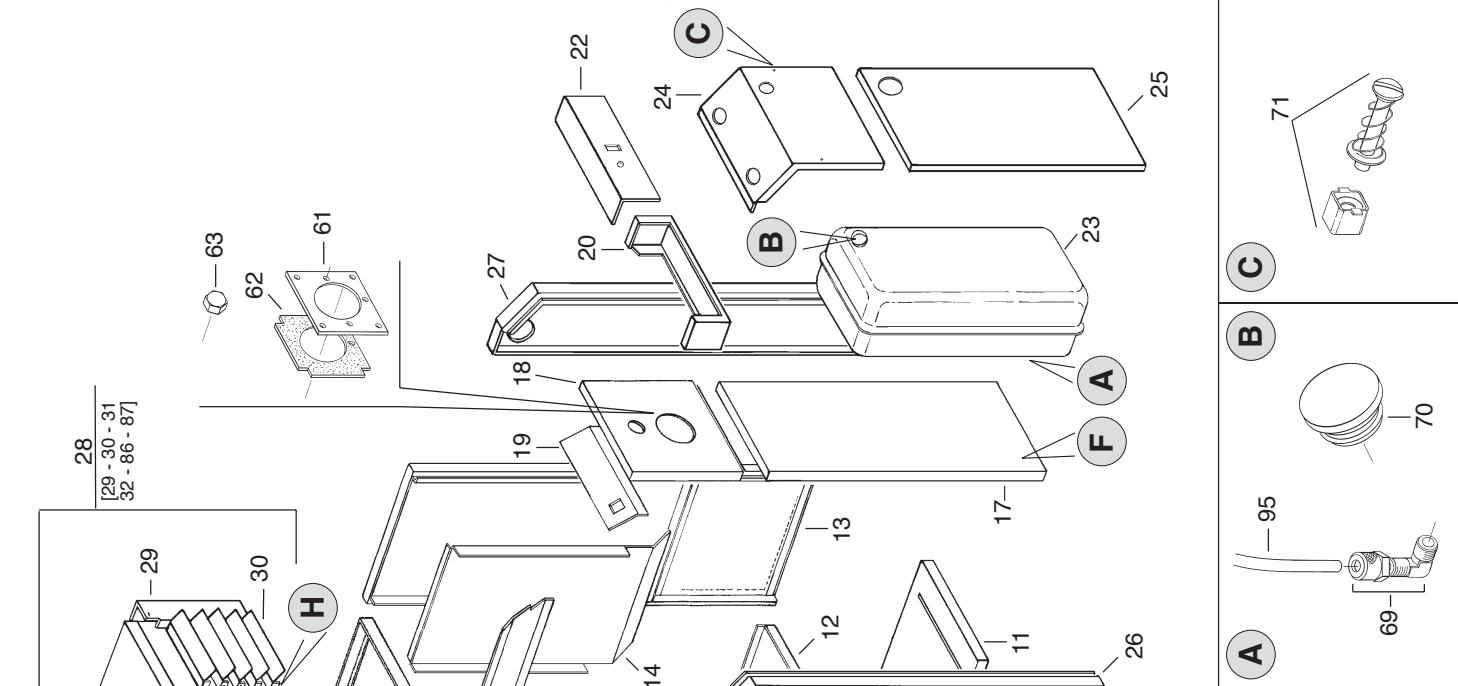
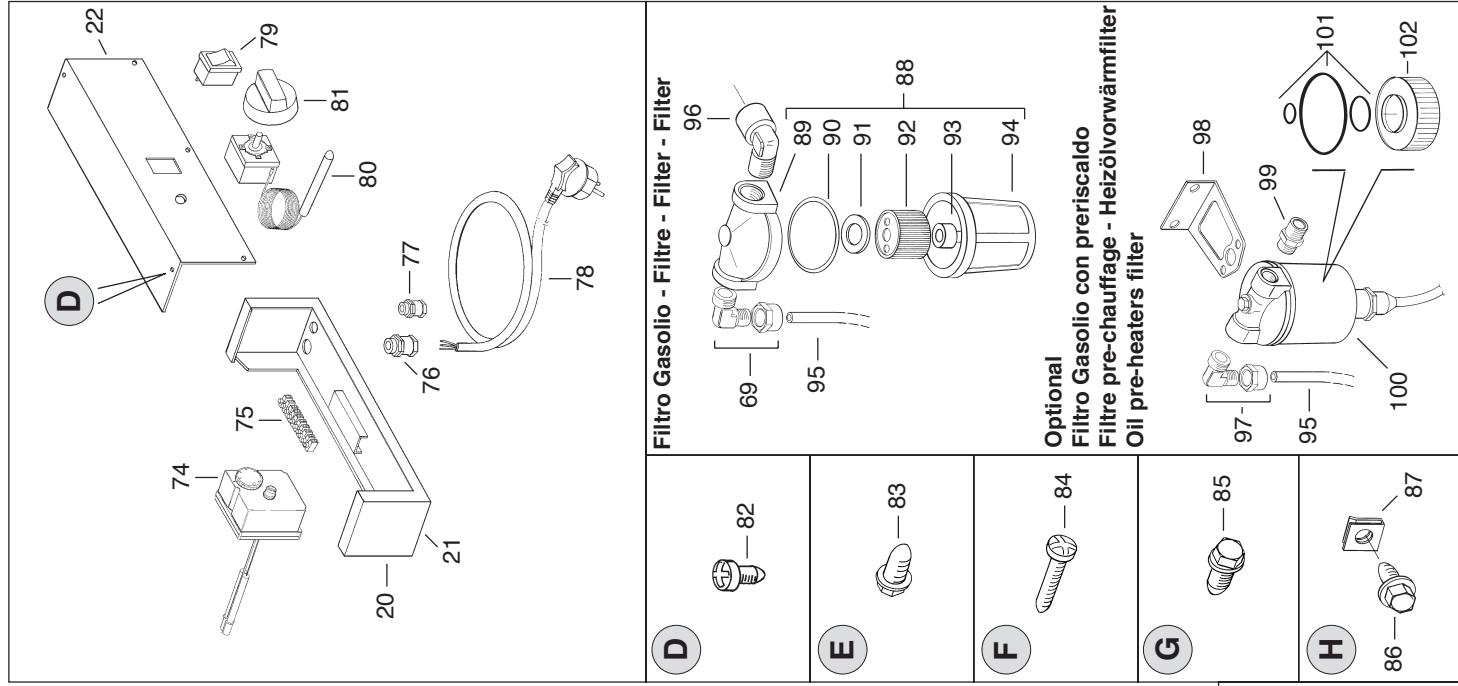


Heater capacity: 35 / 70 / 115 / 175 / 220 kW

Models

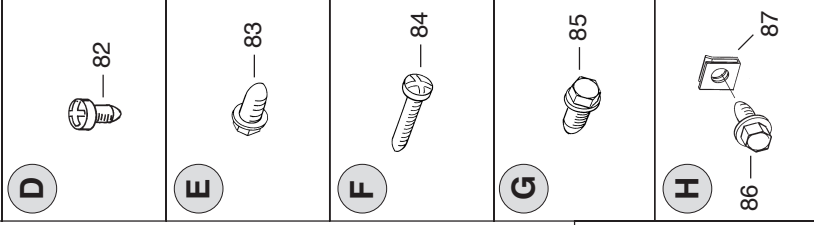
BF 30 / BF 60 / BG 100 / BG 150 / BG 200

BF 30E / BF 60E



Filtro Gasolio - Filtre - Filter - Filter

Optional
Filtro Gasolio con preriscaldamento
Filtre pre-chauffage - Heizölvorwärmfilter
Oil pre-heaters filter



MASTER CABINET HEATERS

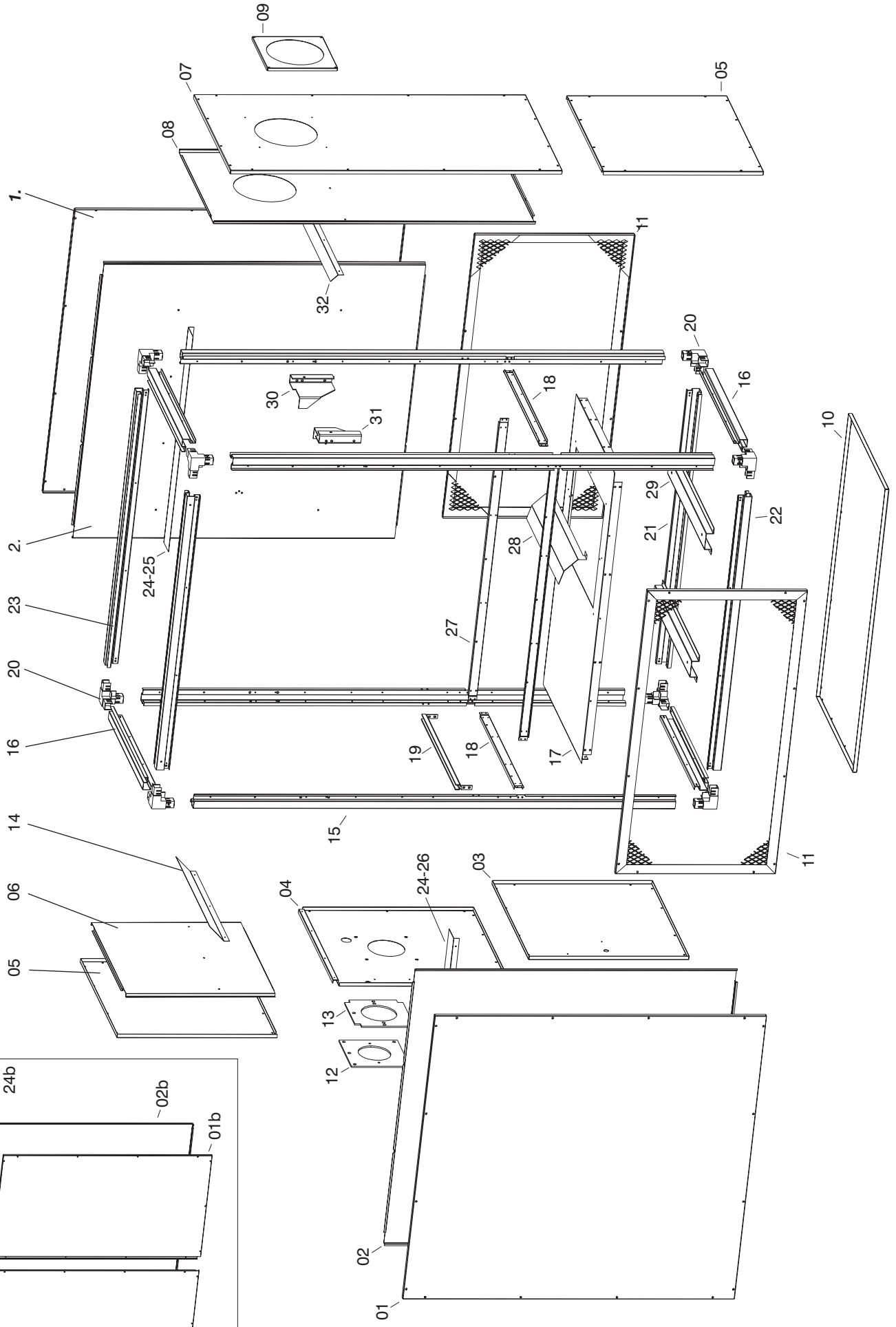
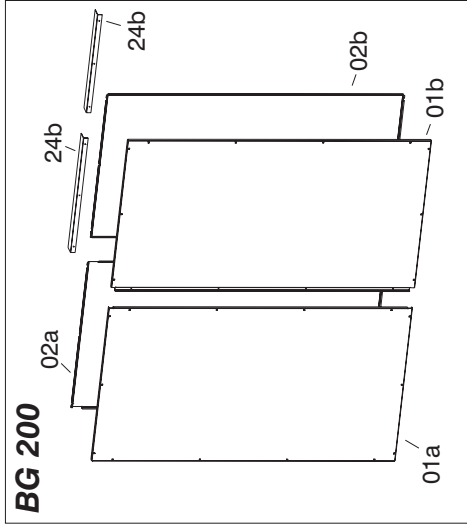
MODEL BF 30 / BF 60 E

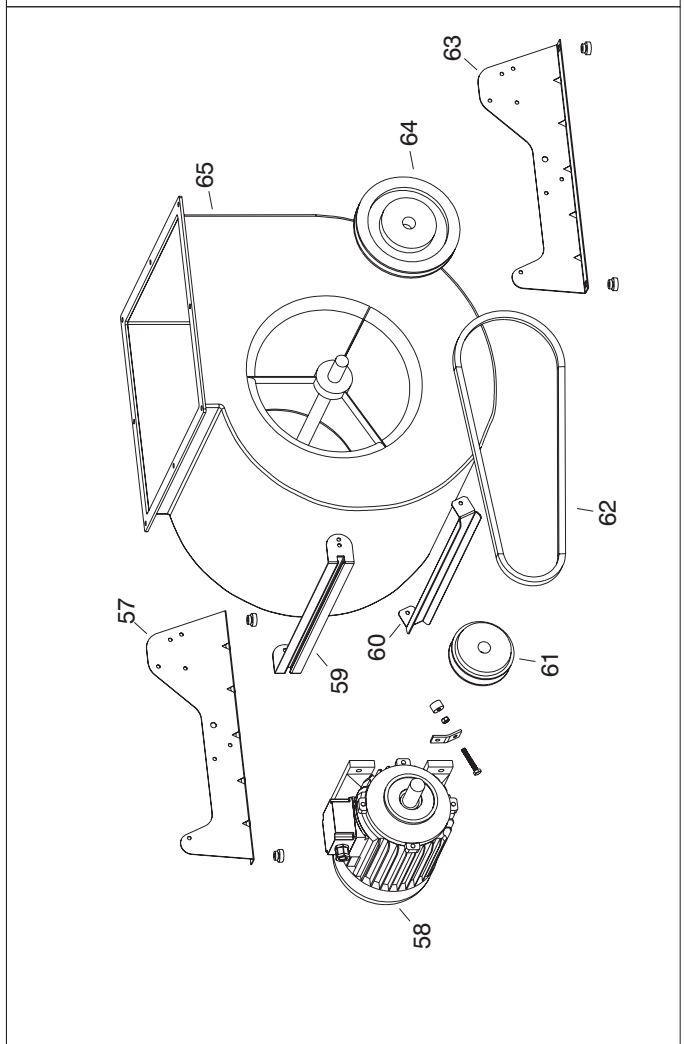
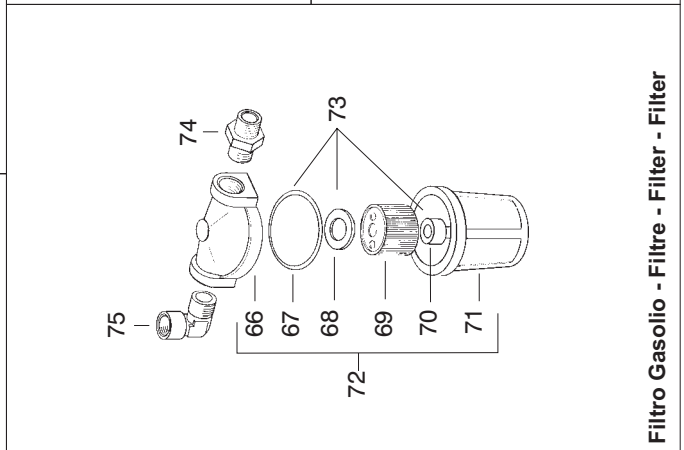
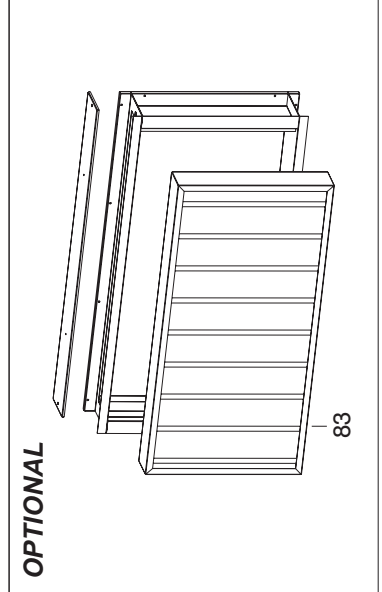
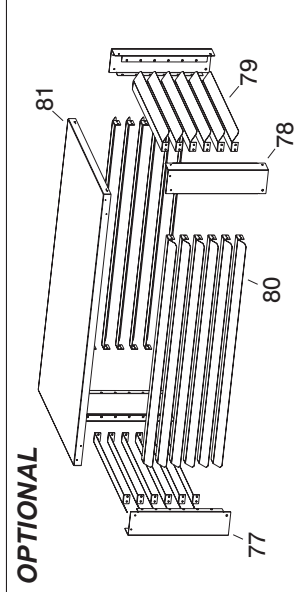
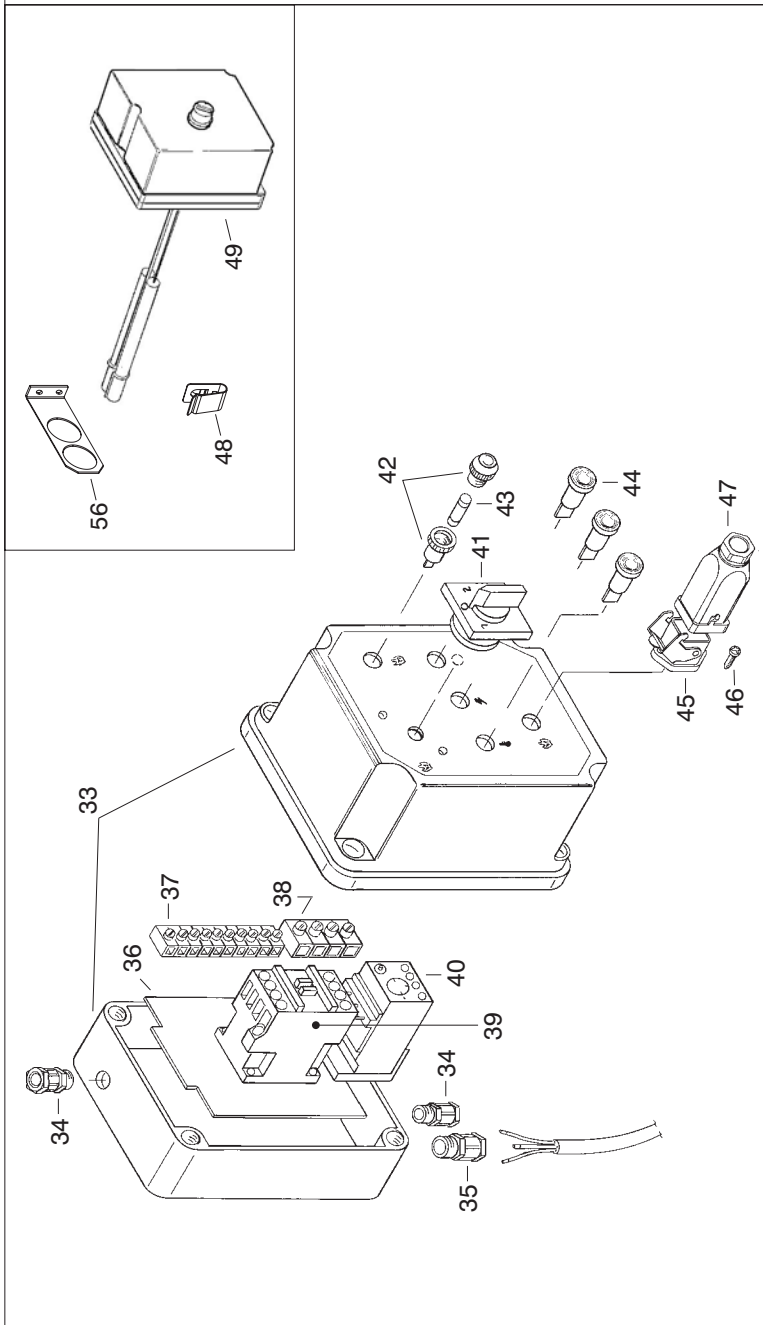
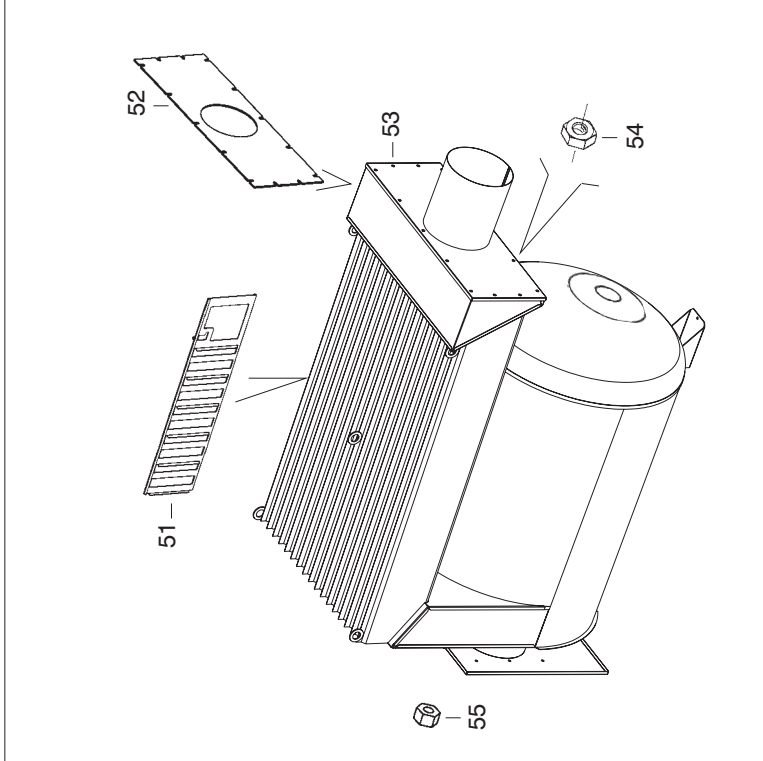
PARTS LIST

Pos.	Code	Description	BF30	BF60	Pos.	Code	Description	BF30	BF60
1	S/R	Combustion chamber	•		29	4031.376	Angle Air Spread	•	•
1	S/R	Combustion chamber		•	30	S/R	Short fin 383 mm	•	
2	S/R	Inspection door	•		30	S/R	Short fin 473 mm		•
2	S/R	Inspection door		•	31	4031.377	Long fin 473 mm	•	
3	S/R	Baffle plate	•		31	S/R	Long fin 573 mm		•
3	S/R	Baffle plate		•	32	4031.378	Upper panel	•	
4	S/R	Chimney flange Ø 150	•	•	32	S/R	Upper panel		•
5	S/R	Chimney panel	•		61	4031.118	Burner support	•	•
5	S/R	Chimney panel		•	62	4031.201	Thermal insulation	•	•
6	S/R	Upper rear panel	•		63	4032.076	Female plug	•	•
6	S/R	Upper rear panel		•	64	4031.255	Thermal insulation	•	
7	S/R	Rear conveyor	•		64	4032.029	Thermal insulation		•
7	S/R	Rear conveyor		•	65	4031.295	Thermal insulation		•
8	S/R	Left side panel	•		66	S/R	Fan DD 10/8	•	
8	S/R	Left side panel		•	66	S/R	Fan DD 12/9		•
9	S/R	Left inner panel	•		67	S/R	Motor	•	
9	S/R	Left inner panel		•	67	S/R	Motor		•
10	S/R	Left side deflector	•		68	4031.219	Condenser µF 10	•	
10	S/R	Left side deflector		•	68	4031.221	Condenser µF 20		•
11	S/R	Base	•		69	4031.223	Connection 90° 1/4"Mx8	•	•
11	S/R	Base		•	70	S/R	Tank plug	•	•
12	S/R	Fan panel	•		71	4031.224	Cover pin	•	•
12	S/R	Fan panel		•	74	4031.207	Bithermostat	•	•
13	S/R	Right side panel	•		75	4032.055	Terminal board 12 el. mmq	•	•
13	S/R	Right side panel		•	76	4032.052	Cable fastener PG 11	•	•
14	S/R	Right inner panel	•		77	4032.053	Cable fastener PG 9	•	•
14	S/R	Right inner panel		•	78	S/R	Power cord	•	•
15	S/R	Right side deflector	•		79	4031.225	Control knob	•	•
15	S/R	Right side deflector		•	80	4031.243	Thermostat	•	•
16	S/R	Upper panel	•		81	S/R	Thermostat knob complete	•	•
16	S/R	Upper panel		•	82	S/R	Screw TC 8x3/8"	•	•
17	S/R	Bottom front panel	•		83	S/R	Screw TE 14x5/8" FR	•	•
17	S/R	Bottom front panel		•	84	S/R	Screw TC 8x1"	•	•
18	S/R	Burner panel	•		86	S/R	Screw TE 10x1/2" FR	•	•
18	S/R	Burner panel		•	87	S/R	Nut	•	•
19	S/R	Front conveyor	•		88	4031.071	Filter	•	•
19	S/R	Front conveyor		•	89	4032.077	Filter cover	•	•
20	S/R	Electrical drawer support	•		90	4031.150	OR	•	•
20	S/R	Electrical drawer support		•	91	4031.075	Seal	•	•
22	S/R	Cover	•		92	4031.015	Filter cartridge	•	•
22	S/R	Cover		•	93	4031.191	Lower filter	•	•
23	S/R	Fuel tank	•	•	94	4031.180	Filter housing	•	•
24	S/R	Carter burner	•		95	4031.002	Rilsan pipe Ø 8	•	•
24	S/R	Carter burner		•	96	4031.222	Connection 90° G 1/4" M-F	•	•
25	S/R	Lower panel carter	•		97	S/R	Connection 90° 3/8"Mx8	•	•
25	S/R	Lower panel carter		•	98	4031.122	Filter support	•	•
26	4031.375	Right side panel	•		99	4032.104	Nipple 3/8"- 1/4"	•	•
26	S/R	Right side panel		•	100	4031.120	Oil pre-heaters filter 3/8"	•	•
27	S/R	Left side panel	•		101	4111.116	OR KIT filter	•	•
27	S/R	Left side panel		•	102	4031.179	Filter cartridge	•	•
28	4032.288	Air spread to 4 ways	•						
28	S/R	Air spread to 4 ways		•					

S/R = Parts available by special request only

BG 100 BG 150 BG 200





Filtro Gasolio - Filtro - Filter

MASTER CABINET HEATERS

MODEL BG 100 / 150 / 200

PARTS LIST

Position	Code	Description	BG 100	BG 150	BG 200
1	S/R	Side panel	•		
1	S/R	Side panel		•	
1a	S/R	Side front panel			•
1b	S/R	Side rear panel			•
2	S/R	Side panel protection	•		
2	S/R	Side panel protection		•	
2a	S/R	Side front protection			•
2b	S/R	Side back protection			•
3	S/R	Front lower panel	•		
3	S/R	Front lower panel		•	
3	S/R	Front lower panel			•
4	S/R	Burner panel	•		
4	S/R	Burner panel		•	
4	S/R	Burner panel			•
5	S/R	Back and front panel	•		
5	S/R	Back and front panel		•	
5	S/R	Back and front panel			•
6	S/R	Front upper protection	•		
6	S/R	Front upper protection		•	
6	S/R	Front upper protection			•
7	S/R	Chimney panel	•		
7	S/R	Chimney panel		•	
7	S/R	Chimney panel			•
8	S/R	Chimney protection	•		
8	S/R	Chimney protection		•	
8	S/R	Chimney protection			•
9	4032.221	Chimney flange Ø200	•	•	•
10	S/R	Lower panel	•		
10	S/R	Lower panel		•	
10	S/R	Lower panel			•
11	S/R	Intel grille	•		
11	S/R	Intel grille		•	
11	S/R	Intel grille			•
12	4032.228	Burner support	•		
12	4032.229	Burner support (for gas version)	•		
12	4032.230	Burner support		•	•
13	4032.029	Burner seal 210x210x5	•		
13	4031.322	Burner seal 250x250x5		•	•
14	S/R	Front deflector	•		
14	S/R	Front deflector		•	
14	S/R	Front deflector			•
15	S/R	Vertical column	•		
15	S/R	Vertical column		•	
15	S/R	Vertical column			•

MASTER CABINET HEATERS

MODEL BG 100 / 150 / 200

PARTS LIST

Position	Code	Description	BG 100	BG 150	BG 200
16	S/R	Short horizontal column	•		
16	S/R	Short horizontal column		•	
16	S/R	Short horizontal column			•
17	S/R	Fan linkage panel	•		
17	S/R	Fan linkage panel		•	
17	S/R	Fan linkage panel			•
18	S/R	Short cross beam	•		
18	S/R	Short cross beam		•	
18	S/R	Short cross beam			•
19	S/R	Cross beam for combust. Chamber	•		
19	S/R	Cross beam for combust. chamber		•	
19	S/R	Cross beam for combust. chamber			•
20	S/R	Aluminium angles	•	•	•
21	S/R	Lower column SX	•		
21	S/R	Lower column SX		•	
21	S/R	Lower column SX			•
22	S/R	Lower column DX	•		
22	S/R	Lower column DX		•	
22	S/R	Lower column DX			•
23	S/R	Upper column	•		
23	S/R	Upper column		•	
23	S/R	Upper column			•
24	S/R	Side deflector SX -DX	•		
24a	S/R	Défecteur latéral antérieur			•
24b	S/R	Défecteur latéral postérieur			•
25	S/R	Side deflector SX		•	
26	S/R	Side deflector DX		•	
27	S/R	Long cross beam	•		
27	S/R	Long cross beam		•	
27	S/R	Long cross beam			•
28	S/R	Deflector for fan	•	•	•
29	S/R	Cross beam fan	•		
29	S/R	Cross beam fan		•	
29	S/R	Cross beam fan			•
30	S/R	Stirrup for combust. chamber SX	•		
30	S/R	Stirrup for combust. chamber SX		•	•
31	S/R	Stirrup for combust. chamber DX	•		
31	S/R	Stirrup for combust. chamber DX		•	•
32	S/R	Back deflector	•		
32	S/R	Back deflector		•	
32	S/R	Back deflector			•
33	4032.280	El. components box	•		
33	4032.281	El. components box		•	•
34	4032.053	Cable fastener PG 9	•	•	•

MASTER CABINET HEATERS

MODEL BG 100 / 150 / 200

PARTS LIST

Position	Code	Description	BG 100	BG 150	BG 200
35	4032.283	Cable fastener PG 13	•	•	•
36	4032.054	Plate for electrical components	•	•	•
37	4032.055	Terminal board 12 el. Mmq 6	•	•	•
38	4032.056	Terminal board 12 el. Mmq 10	•	•	•
39	4032.057	Remote control switch Wimex	•	•	•
40	4032.061	Relay Iskra TRB14 A. 3,8-6,3	•	•	•
40	4032.059	Relay Iskra TRB14 A. 6-10	•	•	•
41	4032.064	Control Knob 1-0-2	•	•	•
42	4032.065	Fuse holder	•	•	•
43	4031.102	Fuse 5x20 A.6	•	•	•
44	S/R	Screw TC 4x1/2"	•	•	•
45	4032.108	Connector plug 3P+T	•	•	•
46	4032.109	Screw TC 4x1/2"	•	•	•
47	4031.089	Connector plug 3P+T	•	•	•
48	4032.226	Clip holder	•	•	•
49	4032.231	Bithermostat IMIT	•	•	•
50	4032.232	Combustion chamber	•		
50	4032.282	Combustion chamber		•	
50	4032.285	Combustion chamber			•
51	4032.070	Baffle plate	•	•	
51	4032.174	Baffle plate			•
52	4032.072	Chimney seal 513x248x5	•		
52	4032.286	Chimney seal 513x248x5		•	
52	4032.175	Chimney seal 671x248x5			•
53	4032.074	Chimney cover	•		
53	4032.287	Chimney cover		•	
53	4032.176	Chimney cover			•
54	4032.075	Nut M6	•	•	•
55	4032.076	Female plug 1"	•	•	•
56	4032.290	Centrifuge air fan		•	
56	4032.291	Centrifuge air fan	•		
57	4032.292	Fan support SX	•	•	
57	4032.293	Fan support SX			•
58	4032.082	Motor HP 2 V.400/50 3Ph	•		
58	4032.166	Motor HP 3 V.400/50 3Ph		•	
58	4032.182	Motor HP 4 V.230-400/50 3Ph			•
59	4032.289	Motor stirrup	•	•	
59	4032.294	Motor stirrup			•
60	4032.295	Reinforced frame	•	•	
60	4032.251	Reinforced frame			•
61	4032.085	Sheave Ø120 Ø24	•		
61	4032.183	Sheave Ø120 Ø28		•	•
62	4032.296	Belt B46	•		
62	4032.297	Belt B52			•

MASTER CABINET HEATERS

MODEL BG 100 / 150 / 200

PARTS LIST

Position	Code	Description	BG 100	BG 150	BG 200
62	4032.298	Belt B48		•	
63	4032.299	Fan support DX	•	•	
63	4032.300	Fan support DX			•
64	4032.184	Sheave Ø200 1B Ø25	•	•	•
65	4032.301	Fan AT 15/15	•	•	
65	4032.191	Fan AT 18/13			•
66	4032.077	Filter head 1/4"	•	•	•
67	4031.150	OR filter	•	•	•
68	4031.075	Upper seal	•	•	•
69	4031.015	Filter cartridge	•	•	•
70	4031.191	Lower seal	•	•	•
71	4031.180	Filter housiong	•	•	•
72	4032.096	Filter 1/4"	•	•	•
73	4111.116	OR kit filter	•	•	•
74	4032.098	Nipple FE 1/4" MM	•	•	•
75	4032.099	Connection 1/4" MF	•	•	•
76	4032.302	4 sides air outlet	•		
76	4032.303	4 sides air outlet		•	
76	4032.304	4 sides air outlet			•
77	4032.305	Side air outlet SX	•		
77	4032.306	Side air outlet SX		•	•
78	4032.307	Side air outlet DX	•		
78	4032.308	Side air outlet DX		•	•
79	4032.309	Short louvre	•		
79	4032.310	Short louvre		•	
79	4032.311	Short louvre			•
80	4032.312	Long louvre	•		
80	4032.313	Long louvre		•	
80	4032.314	Long louvre			•
81	4032.315	Upper panel	•		
81	4032.316	Upper panel		•	
81	4032.317	Upper panel			•
82	4032.318	Air filter box	•		
82	4032.319	Air filter box		•	
82	4032.320	Air filter box			•
83	4032.321	Filter cell	•		
83	4032.322	Filter cell		•	
83	4032.323	Filter cell			•
84	4032.324	Electric control box	•		
84	4032.325	Electric control box		•	
84	4032.326	Electric control box			•

S/R = Parts available by special request only

Infrared oil / kerosene heaters



Heater capacity: 29 / 43 kW

**Models
XL9 E / XL9 S**

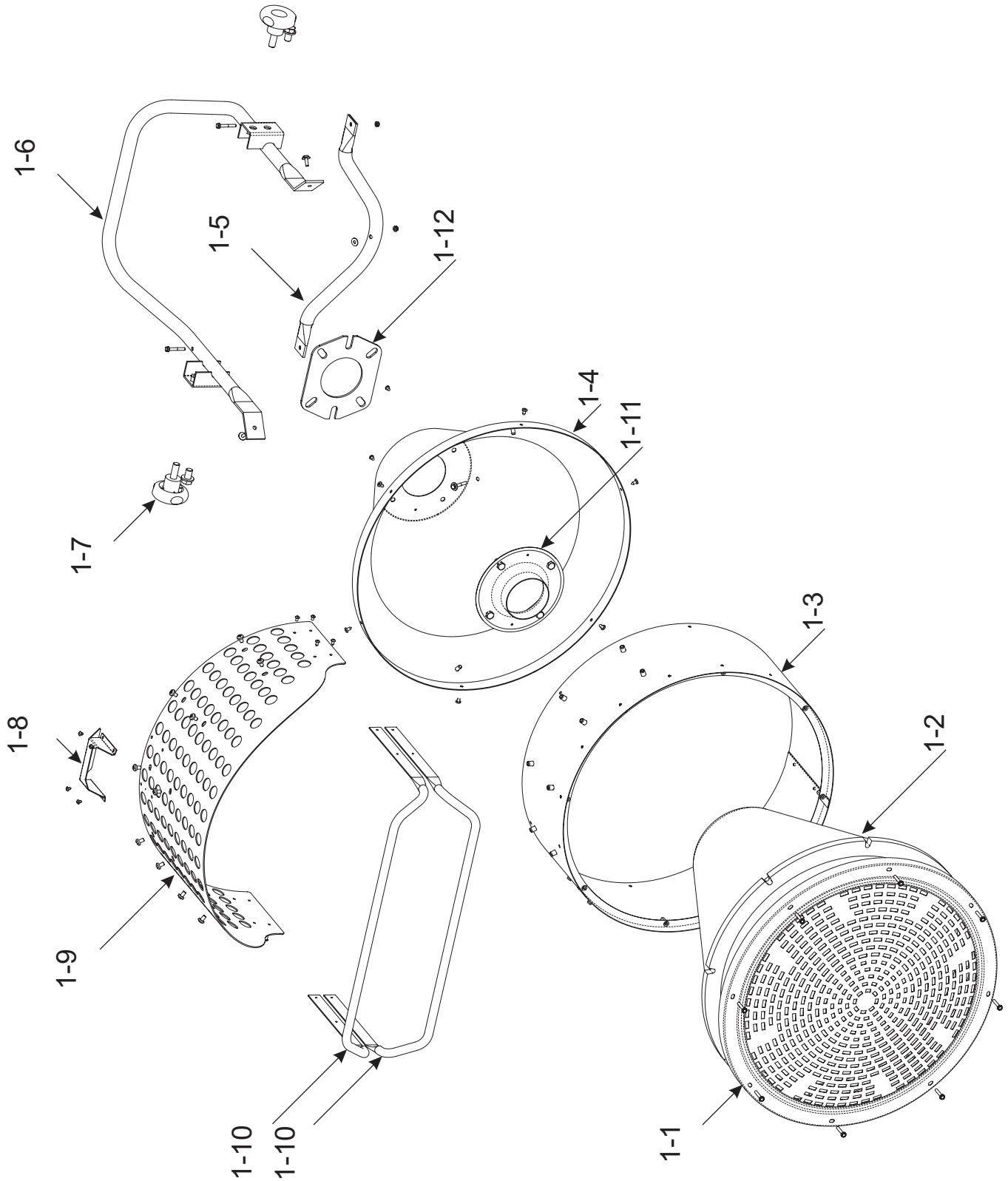
XL9 E - S

MODEL MAIN UNIT 1

ILLUSTRATED PARTS BREAKDOWN

Serial number N.25600202 for XL9 E

Edition 2005



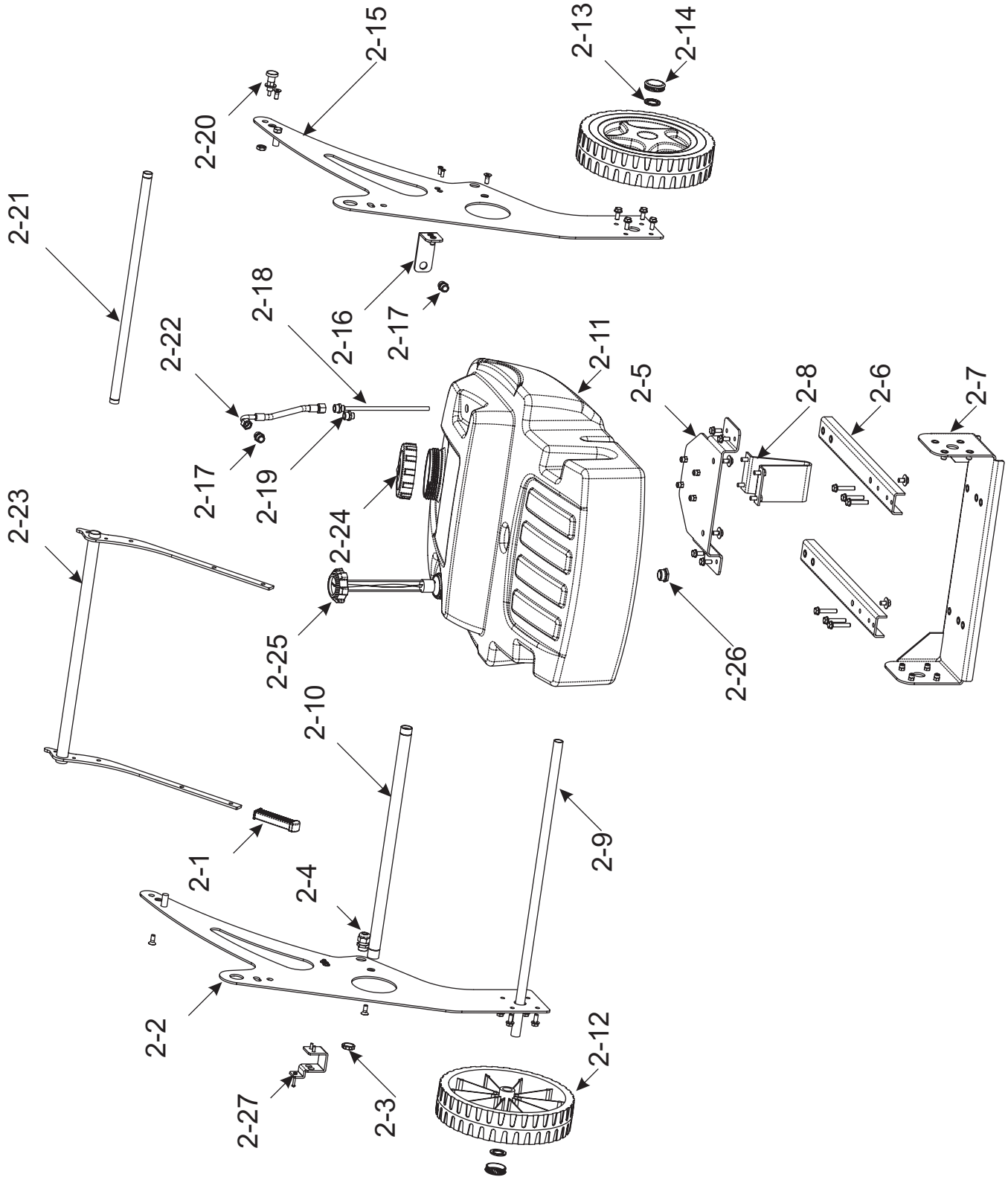
XL9 E - S

MODEL MAIN UNIT 2

ILLUSTRATED PARTS BREAKDOWN

Serial number N.25600202 for XL9 E

Edition 2005



Pos.	Description	Code
1-1	RADIATION DISC	4117.043
1-2	CONICAL INSULATOR	4117.007
1-3	DRUM	4117.072
1-4	CONICAL HOUSING	4117.104
1-5	SUPPORT OF CONICAL HOUSING	4117.055
1-6	GRIP	4117.032
1-7	PLASTIC CLAMP	4117.052
1-8	PROTECTION SUPPORT	4117.027
1-9	VISOR	4117.026
1-10	GUARD RAIL	4117.096
1-11	COMBUSTION CHAMBER FLANGE	4117.190
1-12	COMBUSTION CHAMBER FLANGE GASKET	4117.191

XL9 E – S Main Unit 2

Pos.	Description	Code
2-1	PLASTIC MOUNT	4117.044
2-2	RIGHT SUPPORT	4117.021
2-3	LOCKNUT NYLON	4100.656
2-4	STRAIN RELIEF BUSHING	4150.528
2-5	FUEL TANK BASE KIT	4117.202
2-6	STRINGER KIT	4117.203
2-7	BOTTOM SUPPORT KIT	4117.204
2-8	WHEEL SUPPORT	4117.019
2-9	AXLE	4117.038
2-10	TUBE	4117.036
2-11	FUEL TANK	4117.047
2-12	WHEEL	4110.978
2-13	WHEEL HOLDER	4111.072
2-14	WHEEL PLUG	4111.480
2-15	LEFT SUPPORT	4117.095
2-16	KIT FILTER SUPPORT	4117.042
2-17	NIPPLE	4117.048
2-18	NIPPLE	4117.050
2-19	NIPPLE	4117.049
2-20	PLUG	4117.152
2-21	TUBE	4117.039
2-22	FLEXIBLE CONNECTION	4117.051
2-23	ROTATION SET	4117.011
2-24	FUEL PLUG	4117.053
2-25	FUEL LEVEL PLUG	4117.006
2-26	DRAIN PLUG	4031.013
2-27	SUPPORT	4117.185

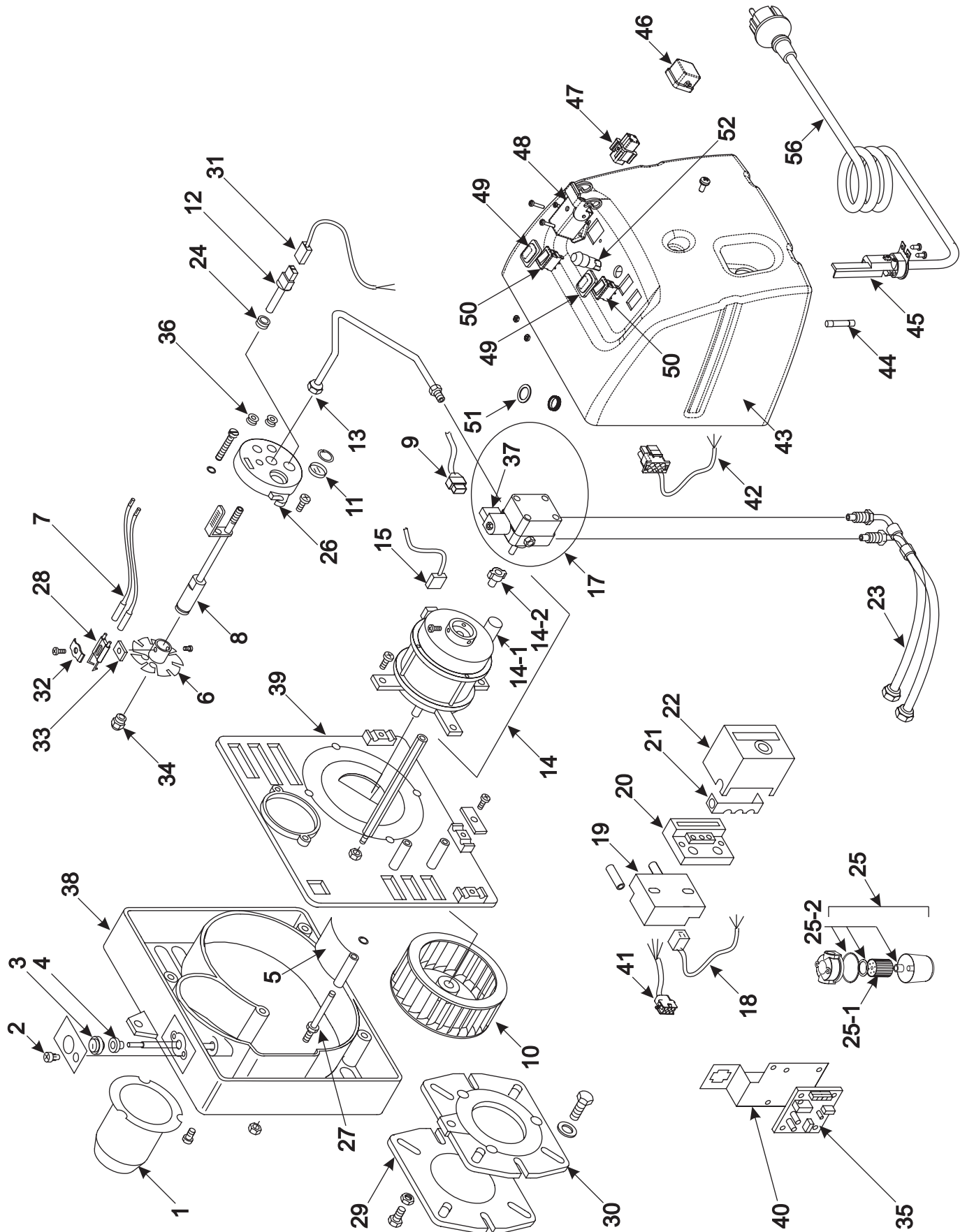
XL9 E

BURNER BXL 1 220/240V - 50Hz

ILLUSTRATED PARTS BREAKDOWN

Serial number N.25600202 for XL9 E

Edition 2005



XL9 E BURNER MODEL 230V – 50Hz 1-S

Pos.	Description	Code
1	BURNER CONE	4117.128
2	SCREW	N/A
3	ROUND INDICATOR	N/A
4	SLEEVE	N/A
5	BURNER FASTENER	4117.129
6	BURNER DISC	4117.130
7	ELECTRODE LINE	1*
8	NOZZLE SUPPORT	4117.136
9	ELECTROVALVE LINE	1*
10	FAN	4117.134
11	FLAME CHECK	N/A
12	PHOTOCELL	4110.966
13	COPPER TUBE	4117.135
14	MOTOR	4117.125
14-1	MOTOR CAPACITOR FHP	4117.137
14-1	MOTOR CAPACITOR SIMEL	4117.206
14-2	PUMP COUPLING FHP	4117.139
14-2	PUMP COUPLING SIMEL	4111.081
15	MOTOR LINE	1*
17	OIL PUMP DANFOSS	4111.042
17-1	PUMP FILTER	4031.094
18	TRANSFORMER LINE	1*
19	TRANSFORMER DANFOSS	4117.141
20	FLAME CONTROL BASE	4110.969
21	BASE PARTITION	N/A
22	CONTROL BOX SATRONIC	4110.968
23	PLASTIC TUBE	4117.142
24	PHOTOCELL RUBBER ADAPTER	4117.207
25	FUEL FILTER	4031.070
25-1	FILTER ELEMENT	4031.015
25-2	FILTER SEAL KIT	4111.116
26	BURNER CONE SUPPORT	N/A
27	BURNER FASTENER BOLT	4117.146
28	ELECTRODE	4117.195
29	BURNER FLANGE SEAL	4117.148
30	BURNER FLANGE CONNECTION	4117.194
31	PHOTOCELL LINE	1*
32	ELECTRODE CLAMP	N/A
33	ELECTRODE SEAL	N/A
34	NOZZLE	4116.759
35	PC BOARD	4117.151
36	RUBBER RING	N/A
37-1	VALVE	4031.195
37-2	SPOOL	4031.019
38	BURNER HOUSING	4117.166
39	BURNER HOUSING PLATE	4117.167
40	PC BOARD SUPPORT	4117.153
41	4 PIN PLUG LINE	1*
42	CONNECTION LINE	2*
43	BURNER COVER	4117.041
44	FUSE	4117.057
45	CABLE FASTENER	4111.038
46	THERMOSTAT CONNECTION PLUG	4117.080
47	CONNECTION SOCKET	4161.400
48	ANGULAR FIX CASE	4160.647
49	COVER SWITCH	4104.336
50	SWITCH	4100.667
51	RUBBER SEAL	4117.093
52	CONTROL LIGHT	4117.058
53	DUAL LINE BLUE	2*
54	DUAL LINE BLACK	2*
55	LINE WHITE	2*
56	POWER CORD (EUROPEAN PLUG)	4111.153
56	POWER CORD (UK PLUG)	4111.449
1*	KIT LINES	4117.171
2*	KIT LINES BURNER COVER	4117.172

N/A = Parts Not Available

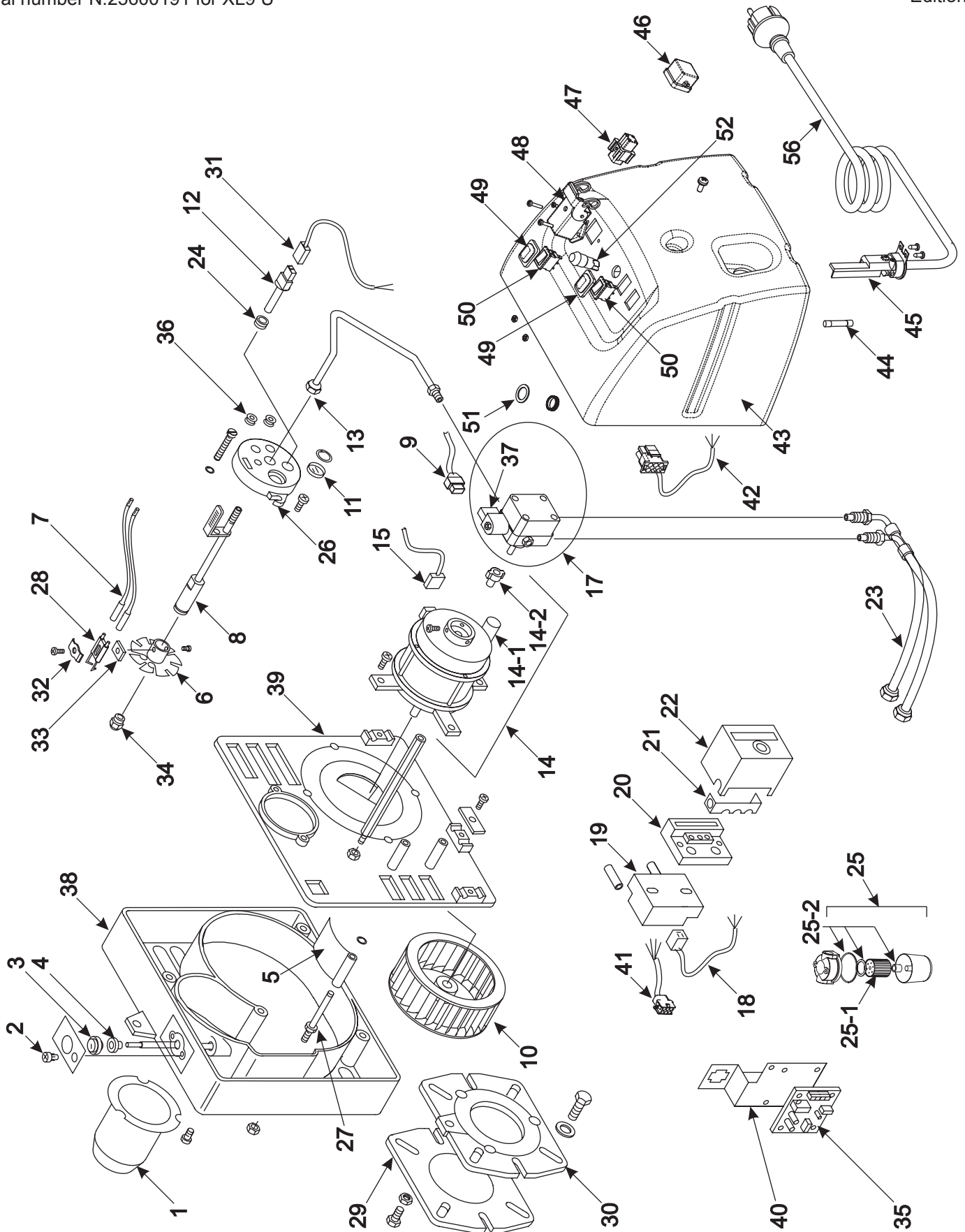
XL9 S

BURNER BXL2 220/240V - 50Hz

ILLUSTRATED PARTS BREAKDOWN

Serial number N.25600191 for XL9 Ù

Edition 2005



XL9 S BURNER MODEL 230V – 50Hz 2-Step

Pos.	Description	Code
1	BURNER CONE	4117.128
2	SCREW	N/A
3	ROUND INDICATOR	N/A
4	SLEEVE	N/A
5	BURNER FASTENER	4117.129
6	BURNER DISC	4117.130
7	ELECTRODE LINE	1*
8	NOZZLE SUPPORT	4117.136
9	ELECTROVALVE LINE	1*
10	FAN	4117.134
11	FLAME CHECK	N/A
12	PHOTOCELL	4110.966
13	COPPER TUBE	4117.135
14	MOTOR	4117.125
14-1	MOTOR CAPACITOR	4117.206
14-2	PUMP COUPLING	4111.081
15	MOTOR LINE	1*
17	OIL PUMP DANFOSS	4117.176
18	TRANSFORMER LINE	1*
19	TRANSFORMER DANFOSS	4117.141
20	FLAME CONTROL BASE	4110.969
21	CONTROL BOX SUPPORT	N/A
22	CONTROL BOX SATRONIC	4117.074
23	PLASTIC TUBE	4117.142
24	PHOTOCELL ADAPTOR	4117.207
25	FUEL FILTER	4031.070
25-1	FILTER ELEMENT	4031.015
25-2	FILTER SEAL	4111.116
26	BURNER FLANGE	N/A
27	BURNER FASTENER BOLT	4117.146
28	ELECTRODE	4117.195
29	BURNER FLANGE SEAL	4117.148
30	BURNER FLANGE CONNECTION	4117.194
31	PHOTOCELL LINE	1*
32	ELECTRODE CLAMP	N/A
33	ELECTRODE SEAL	N/A
34	NOZZLE	4117.157
35	PC BOARD	4117.151
36	RUBBER RING	N/A
38	BURNER HOUSING	4117.166
39	BURNER HOUSING PLATE	4117.167
40	PC BOARD SUPPORT	4117.153
41	6 PIN PLUG LINE	1*
42	CONNECTION LINE	2*
43	BURNER COVER	4117.041
44	FUSE	4117.057
45	CABLE FASTENER	4111.038
46	THERMOSTAT CONNECTION PLUG	4117.080
47	CONNECTION SOCKET	4161.400
48	ANGULAR FIX CASE	4160.647
49	COVER SWITCH	4104.336
50	SWITCH	4100.667
51	RUBBER SEAL	4117.093
52	PILOT LAMP	4117.058
53	DUAL LINE BLUE	2*
54	DUAL LINE BLACK	2*
55	LINE WHITE	2*
56	POWER CORD (EUROPEAN PLUG)	4111.153
56	POWER CORD (UK PLUG)	4111.449
1*	KIT LINES	4117.171
2*	KIT LINES BURNER COVER	4117.172

N/A = Parts Not Available

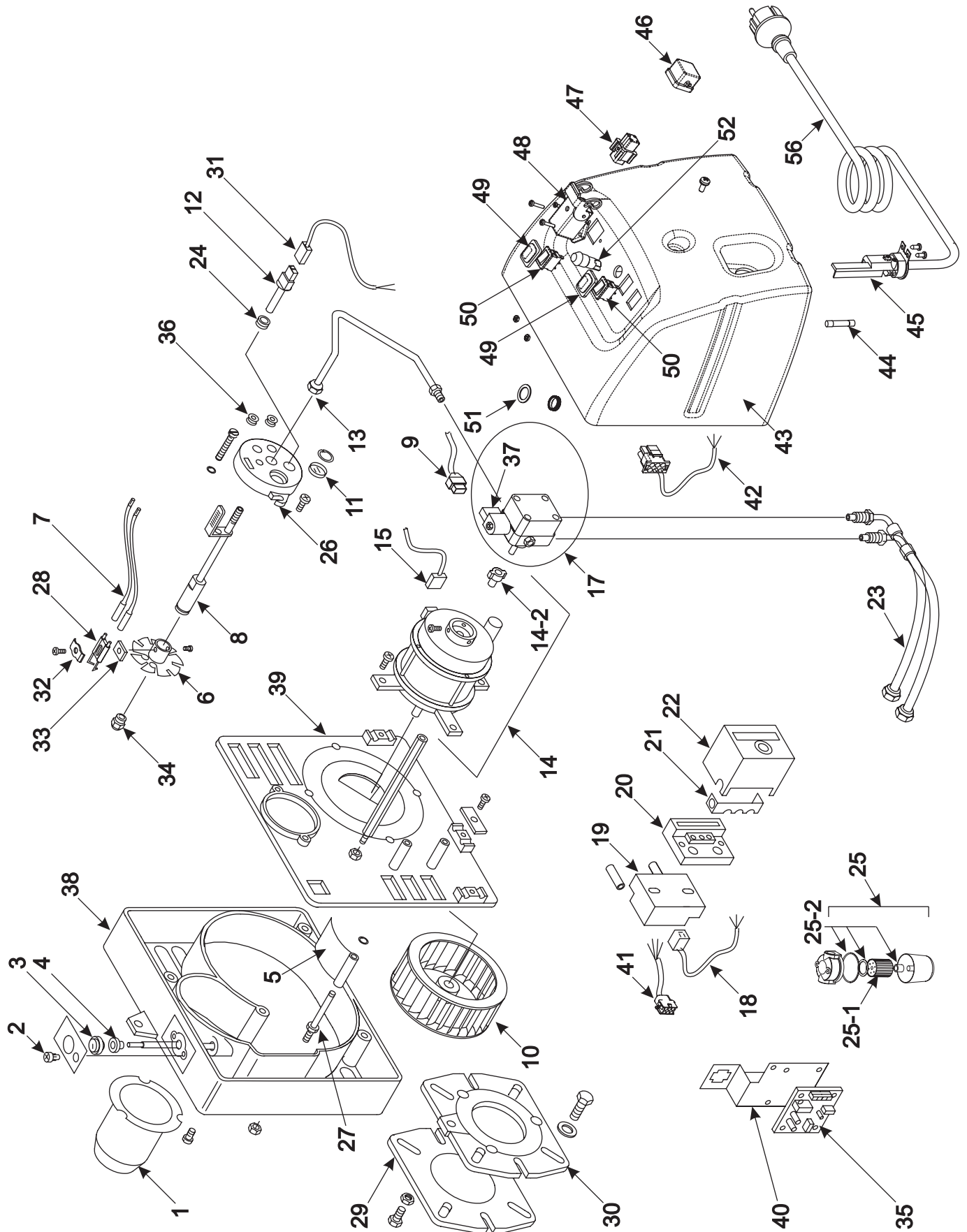
XL9 E

BURNER BXL 1 110/120V - 60Hz

ILLUSTRATED PARTS BREAKDOWN

Serial number N.25600202 for XL9 E

Edizione 2005



XL9 E BURNER MODEL 110V – 60Hz 1-Step

Pos.	Description	Code
1	BURNER CONE	4117.128
2	SCREW	N/A
3	ROUND INDICATOR	N/A
4	SLEEVE	N/A
5	BURNER FASTENER	4117.129
6	BURNER DISC	4117.130
7	ELECTRODE LINE	1*
8	NOZZLE SUPPORT	4117.136
9	ELECTROVALVE LINE	1*
10	FAN	4117.134
11	FLAME CHECK	N/A
12	PHOTOCELL	4110.966
13	COPPER TUBE	4117.135
14	MOTOR	4117.162
14-2	PUMP COUPLING FHP	4117.139
14-2	PUMP COUPLING SIMEL	4111.081
15	MOTOR LINE	1*
17	OIL PUMP DANFOSS	4117.168
18	TRANSFORMER LINE	1*
19	TRANSFORMER DANFOSS	4117.169
20	FLAME CONTROL BASE	4117.170
21	CONTROL BOX SUPPORT	N/A
22	CONTROL BOX SATRONIC	4117.173
23	PLASTIC TUBE	4117.142
24	PHOTOCELL ADAPTOR	4117.207
25	FUEL FILTER	4031.070
25-1	FILTER ELEMENT	4031.015
25-2	FILTER SEAL	4111.116
26	BURNER FLANGE	N/A
27	BURNER FASTENER BOLT	4117.146
28	ELECTRODE	4117.195
29	BURNER FLANGE SEAL	4117.148
30	BURNER FLANGE CONNECTION	4117.194
31	PHOTOCELL LINE	1*
32	ELECTRODE CLAMP	N/A
33	ELECTRODE SEAL	N/A
34	NOZZLE	4116.759
35	PC BOARD	4117.127
36	RUBBER RING	N/A
37	ELECTROVALVE	4031.019
38	BURNER HOUSING	4117.166
39	BURNER HOUSING PLATE	4117.167
40	PC BOARD SUPPORT	4117.153
41	6 PIN PLUG LINE	1*
42	CONNECTION LINE	2*
43	BURNER COVER	4117.041
44	FUSE	4117.057
45	CABLE FASTENER	4111.038
46	THERMOSTAT CONNECTION PLUG	4117.080
47	CONNECTION SOCKET	4161.400
48	ANGULAR FIX CASE	4160.647
49	COVER SWITCH	4104.336
50	SWITCH	4100.667
51	RUBBER SEAL	4117.093
52	PILOT LAMP	4117.058
53	DUAL LINE BLUE	2*
54	DUAL LINE BLACK	2*
55	LINE WHITE	2*
56	POWER CORD (USA PLUG)	4117.192
1*	KIT LINES	4117.171
2*	KIT LINES BURNER COVER	4117.172

N/A = Parts Not Available

Propane / butane gas heaters



Heater capacity: 10 / 15 / 30 / 46 / 69 / 96,5 kW

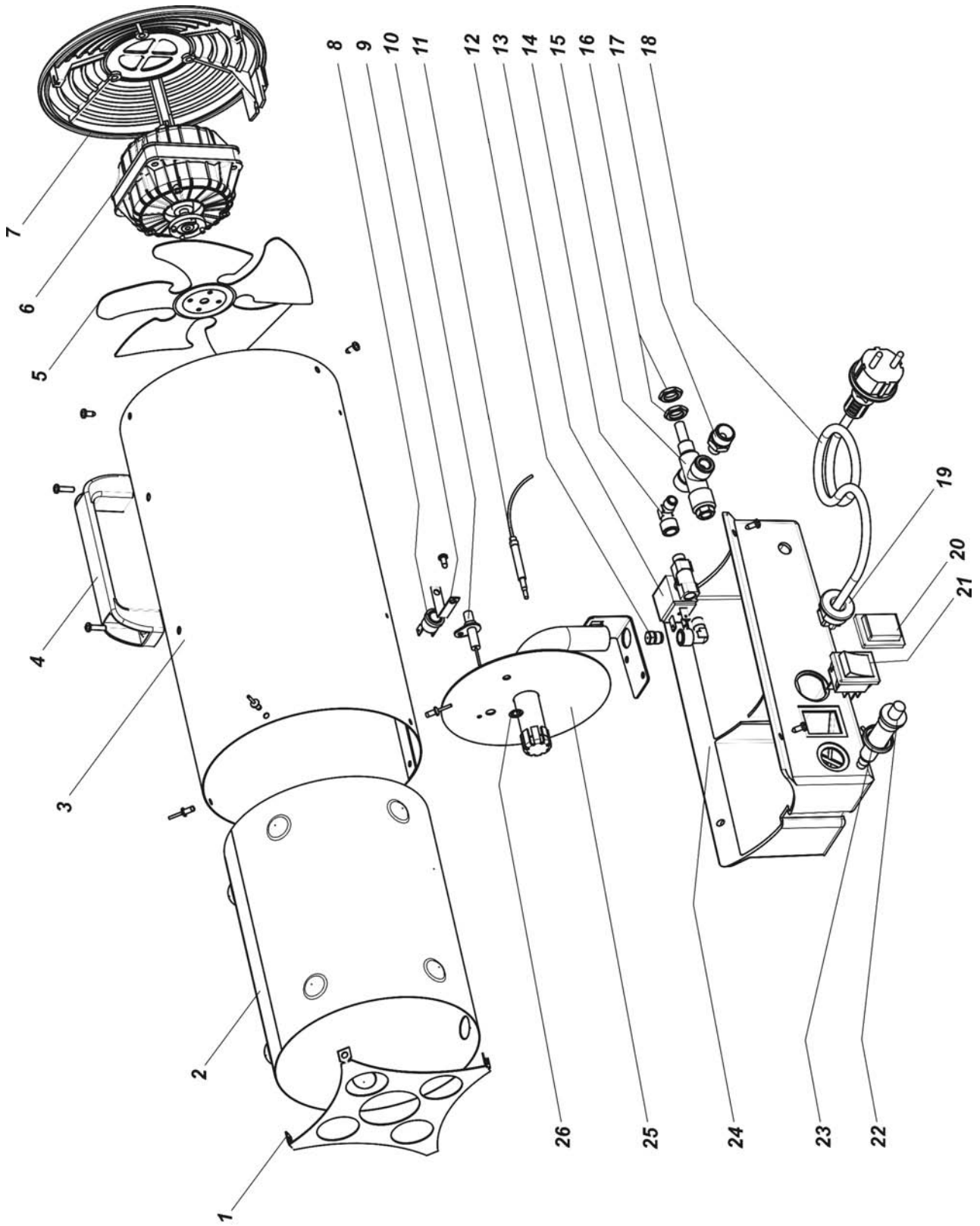
Models

10 M / 15 M / 30 M / 30 E / 50 M / 50 E / 70 M / 70 E / 100 E

MASTER GAS HEATERS

MODEL 10 kW

ILLUSTRATED PARTS BREAKDOWN



MASTER GAS HEATERS 10 KW

Pos.	Code NR	Description
1	4160.714	OUTLET GRID
2	4161.336	COMBUSTION CHAMBER
3	S/R	COVER
4	4160.715	PLASTIC HANDLE
5	4162.251	FAN ø172 19°
6	4162.243	ELECTRIC MOTOR
7	4160.713	PLASTIC GRID
8	4160.636	SAFETY THERMOSTAT
9	4160.708	SUPPORT FOR THERMOSTAT
10	4160.707	IGNITION ELETTRICAL FOLDER
11	4160.654	INTERRUPTED THERMOCOUPLE
12	4160.746	GAS NOZZLE
13	4160.655	ELECTRO VALVE
14	4160.620	90° DEGREE ELBOW 1/8"
15	4160.653	SAFETY GAS VALVE
16	4160.701	RING NUT M12X0,75
17	4160.700	GAS INLET NOZZLE
18	4160.733	ELECTRIC CABLE
19	4160.635	KEEPER WIRE DEVICE
20	4160.638	COVER SWITCH
21	4160.637	SWITCH
22	4162.222	PIEZO IGNITOR WITH ADAPTER
23	N/A	ADAPTER FOR PIEZO IGNITOR
24	4160.699	PLASTIC BASE
25	4160.702	GAS BURNER
26	4160.627	ELASTIC WASHER

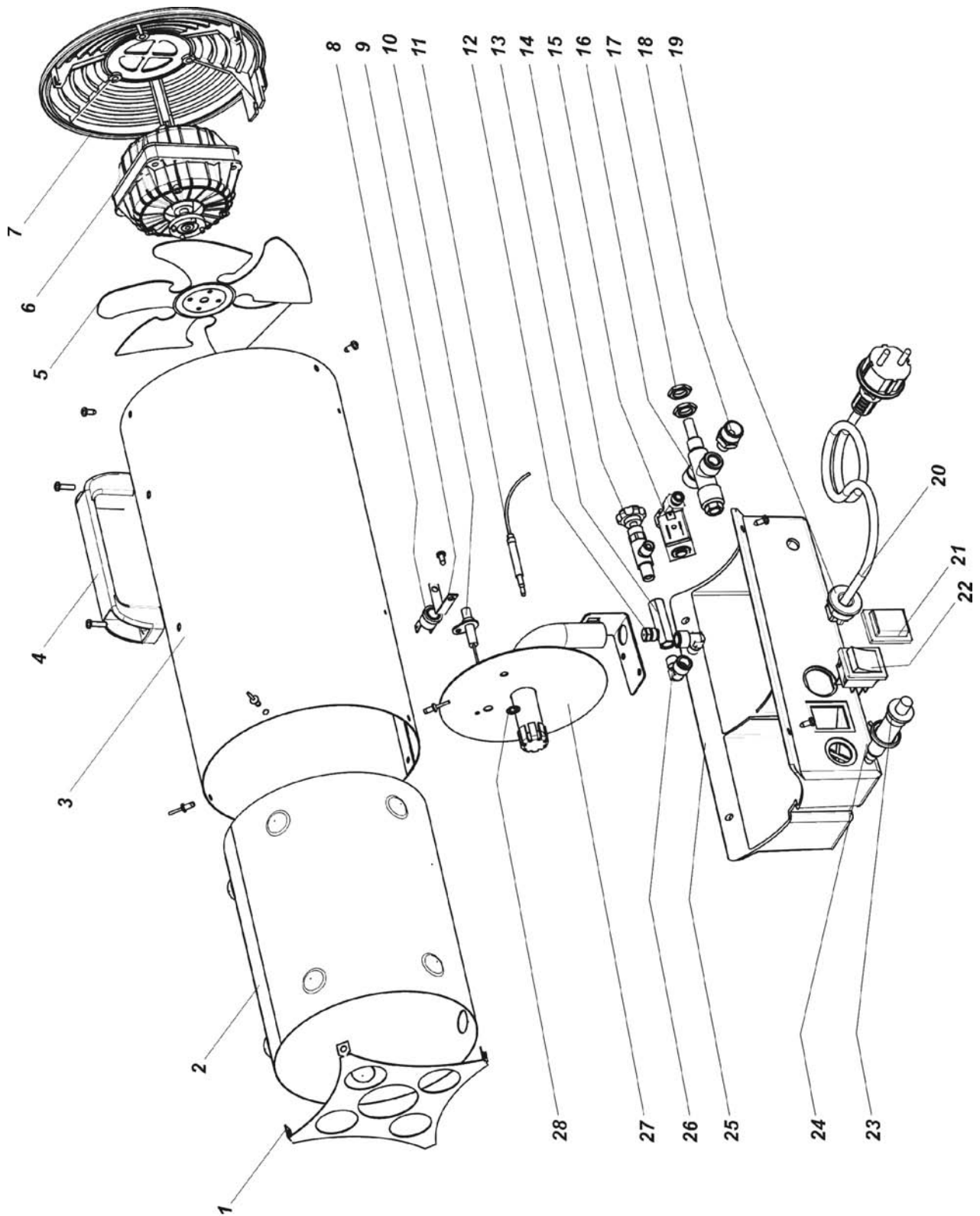
S/R – Parts available by special request only

N/A – Parts not available

MASTER GAS HEATERS

MODEL 15 kW Reg.

ILLUSTRATED PARTS BREAKDOWN



MASTER GAS HEATERS BLP 15M

Pos.	Code NR	Description
1	4160.714	OUTLET GRID
2	4161.372	COMBUSTION CHAMBER
3	S/R	COVER
4	4160.715	PLASTIC HANDLE
5	4162.251	FAN ø172 19°
6	4162.243	ELECTRIC MOTOR
7	4160.713	PLASTIC GRID
8	4160.636	SAFETY THERMOSTAT
9	4160.708	SUPPORT FOR THERMOSTAT
10	4160.707	IGNITION ELETTRICAL FOLDER
11	4160.654	INTERRUPTED THERMOCOUPLE
12	4160.746	GAS NOZZLE
13	4160.742	EXTENSION
14	4160.675	GAS COCK
15	4160.655	ELECTRO VALVE
16	4160.653	SAFETY GAS VALVE
17	4160.701	RING NUT M12X0,75
18	4160.700	GAS INLET NOZZLE
19	4160.635	KEEPER WIRE DEVICE
20	4160.733	ELECTRIC CABLE
21	4160.638	COVER SWITCH
22	4160.637	SWITCH
23	4162.222	PIEZO IGNITOR WITH ADAPTER
24	N/A	ADAPTER FOR PIEZO IGNITOR
25	4160.760	PLASTIC BASE
26	4160.620	90° DEGREE ELBOW 1/8"
27	4160.702	GAS BURNER
28	4160.627	ELASTIC WASHER

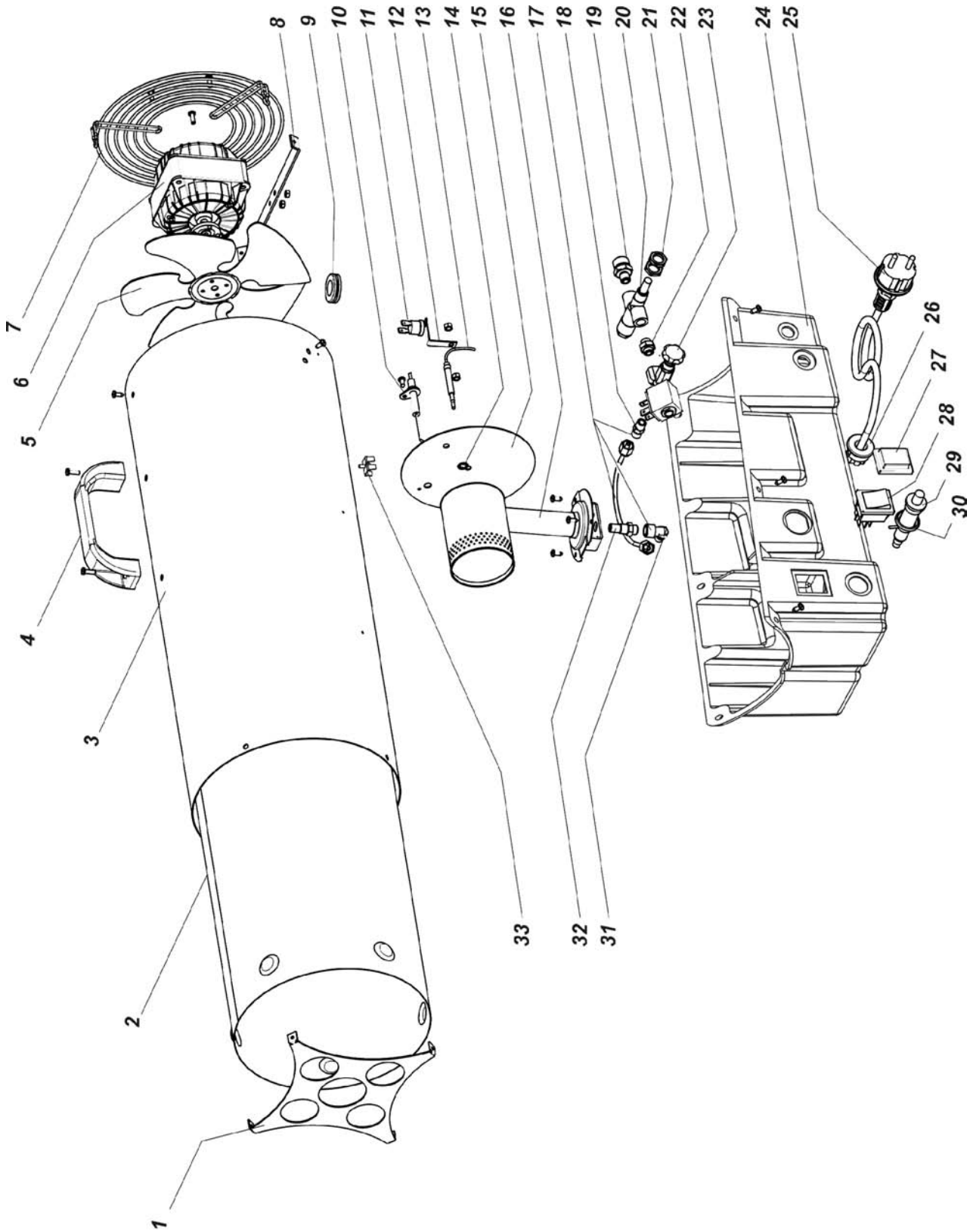
S/R – Parts available by special request only

N/A – Parts not available

MASTER GAS HEATERS

MODEL 30 kW PB

ILLUSTRATED PARTS BREAKDOWN



FÍ G

MASTER GAS HEATERS BLP 30M PLASTIC BASE

Pos.	Code NR	Description
1	4160.764	OUTLET GRID
2	4161.373	COMBUSTION CHAMBER
3	S/R	COVER
4	4160.715	PLASTIC HANDLE
5	4161.175	FAN ø200 19°
6	4162.244	ELECTRIC MOTOR
7	4161.863	PLASTIC INLET GRID
	4160.784	INLET GRID GALVANIZED
8	4161.010	SUPPORT ELECTRIC MOTOR
9	4160.646	GROMMET
10	4160.731	IGNITION ELETTRICAL FOLDER
11	4160.636	SAFETY THERMOSTAT
12	4160.708	SUPPORT FOR THERMOSTAT
13	4160.654	INTERRUPTED THERMOCOUPLE
14	4160.627	ELASTIC WASHER
15	4160.726	PLATE BURNER
16	4160.687	GAS BURNER
17	4160.724	COPPER EXTENDIN VALVOLE-NOZZLE
18	4160.623	NOZZLE 1/8"
19	4160.700	GAS INLET NOZZLE
20	4160.653	SAFETY GAS VALVE
21	4160.701	RING NUT M12X0,75
22	4160.968	NOZZLE 1/8"
23	4160.660	GAS COCK WITH ELECTRO-VALVE
24	4160.721	PLASTIC BASE
25	4160.733	PLASTIC BASE
26	4160.635	KEEPER WIRE DEVICE
27	4160.638	COVER SWITCH
28	4160.637	SWITCH
29	4162.222	PIEZO IGNITOR WITH ADAPTER
30	N/A	ADAPTER FOR PIEZO IGNITOR
31	4160.621	90° DEGREE ELBOW 1/8"
32	4160.722	GAS NOZZLE ø1,15
33	4160.639	RIVET POP

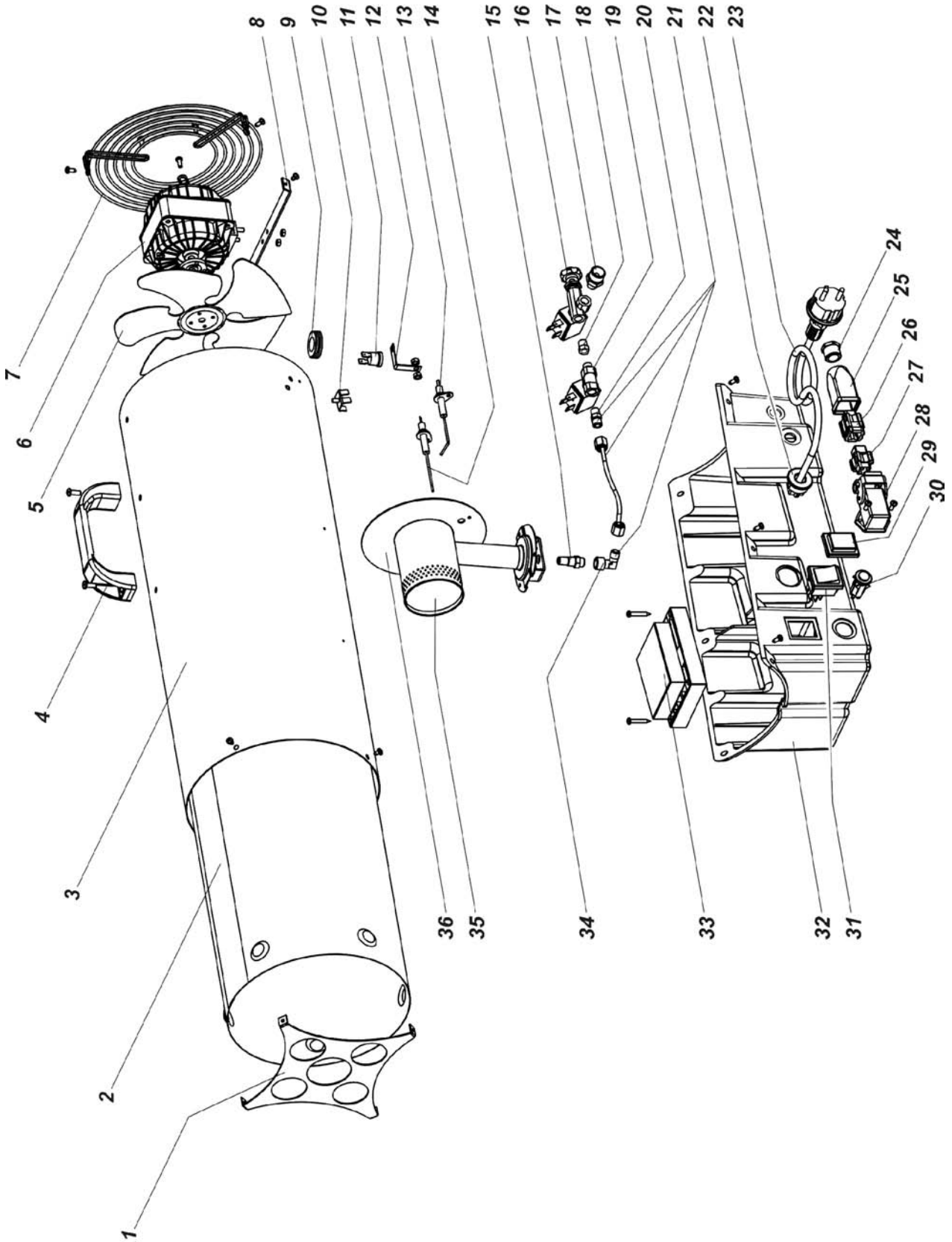
S/R – Parts available by special request only

N/A – Parts not available

MASTER GAS HEATERS

MODEL 30 kW E PB

ILLUSTRATED PARTS BREAKDOWN

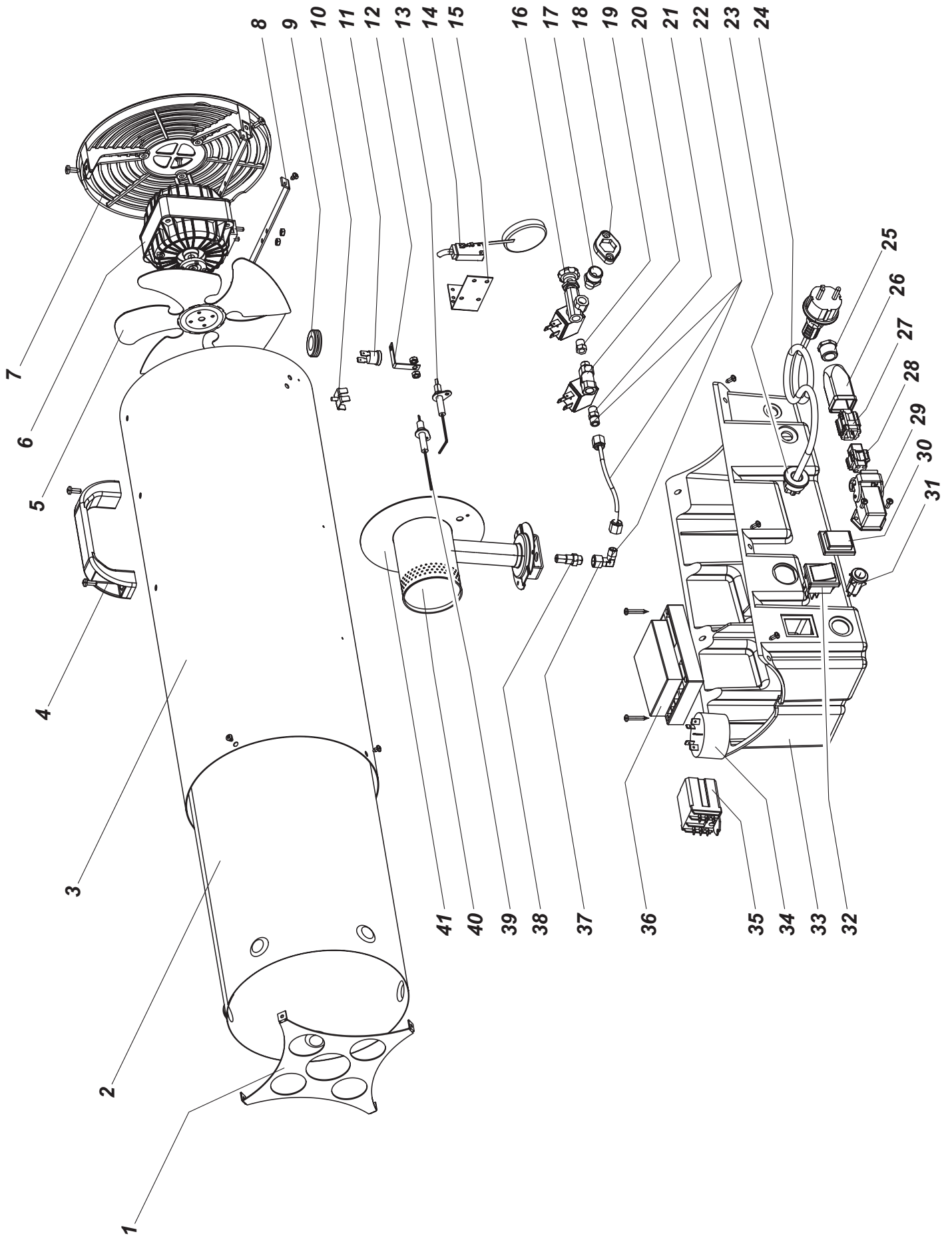


MASTER GAS HEATERS BLP 30E PLASTIC BASE

Pos.	Code NR	Description
1	4160.764	OUTLET GRID
2	4161.373	COMBUSTION CHAMBER
3	S/R	COVER
4	4160.715	PLASTIC HANDLE
5	4161.175	FAN ø200 19°
6	4162.244	ELECTRIC MOTOR
7	4161.863	PLASTIC INLET GRID
	4160.784	INLET GRID GALVANIZED
8	4161.010	SUPPORT ELECTRIC MOTOR
9	4160.646	GROMMET
10	4160.639	RIVET POP
11	4160.636	SAFETY THERMOSTAT
12	4160.708	SUPPORT FOR THERMOSTAT
13	4161.248	IGNITION ELETTRICAL FOLDER
14	4160.632	FLAME PROBE
15	4160.722	GAS NOZZLE ø1,15
16	4160.660	GAS COCK WITH ELECTRO-VALVE
17	4160.700	GAS INLET NOZZLE
18	4161.501	NIPPLE 1/8"
19	4160.655	ELECTROVALVE
20	4160.623	NOZZLE 1/8"
21	4160.724	COPPER EXTENDIN VALVE-NOZZLE
22	4160.635	KEEPER WIRE DEVICE
23	4160.733	ELECTRIC CABLE
24	4160.651	KEEPER WIRE DEVICE
25	4160.648	COMPLETE PLUG IN
	4160.650	CONNEXION PLUG 5 PIN
26	4161.401	CONNEXION PLUG 4 PIN
	4160.649	CONNEXION SOCKET 5 PIN
27	4161.400	CONNEXION SOCKET 4 PIN
28	4160.647	ANGULAR FIX CASE
29	4160.638	COVER SWITCH
30	4161.058	LIGHT SWITCH
31	4161.057	SWITCH
32	4161.281	BASE
33	4161.004	ELECTRONIC PC BOARD
34	4160.621	90° DEGREE ELBOW 1/8"
35	4160.687	GAS BURNER
36	4160.752	PLATE BURNER

S/R – Parts available by special request only

N/A – Parts not available



MASTER GAS HEATERS BLP 30E PLASTIC BASE 2005 EDITION

Pos.	Code NR	Description
1	4160.764	OUTLET GRID
2	4161.373	COMBUSTION CHAMBER
3	S/R	COVER
4	4160.715	PLASTIC HANDLE
5	4160.690	FAN Ø200 19°
6	4160.629	ELECTRIC MOTOR
7	4160.784	INLET GRID GALVANIZED
	4161.863	INLET GRID PLASTIC
8	4161.010	SUPPORT ELECTRIC MOTOR
9	4160.646	GROMMET 16-30-22
10	4160.639	RIVET POP
11	4162.343	SAFETY THERMOSTAT 90°
12	4162.362	SUPPORT FOR THERMOSTAT
13	4161.248	IGNITION ELECTRICAL FOLDER
14	4162.340	MICRO SWITCH
15	4162.341	SUPPORT FOR SWITCH
16	4160.660	GAS COCK WITH ELECTRO-VALVE
17	4160.700	GAS INLET NOZZLE 3/8 M - 1/8 M
18	4161.854	BLOCK FOR NOZZLE
19	4161.501	NIPPLE 1/8"M.F.
20	4160.655	ELECTROVALVE
21	4160.623	NOZZLE 1/8"
22	4160.724	COPPER EXTENDING VALVE-NOZZLE
23	4160.635	KEEPER WIRE DEVICE PA 107
24	4160.733	ELECTRIC CABLE
25	4160.651	KEEPER WIRE DEVICE
26	4160.648	PLUG IN
27	4161.401	CONNECTION PLUG 4 PIN
28	4161.400	CONNECTION SOCKET 4 PIN
29	4160.647	ANGULAR FIX CASE
30	4160.638	COVER SWITCH
31	4161.058	LIGHT SWITCH
32	4161.057	SWITCH
33	4161.281	PLASTIC BASE
34	4162.187	ANTI-JAMMING FILTER
35	4162.361	RELAY
36	4161.004	ELECTRONIC PC BOARD
37	4160.621	90° DEGREE ELBOW 1/8"
38	4160.722	GAS NOZZLE Ø1,15
39	4160.632	FLAME PROBE
40	4160.687	GAS BURNER
41	4160.752	PLATE BURNER

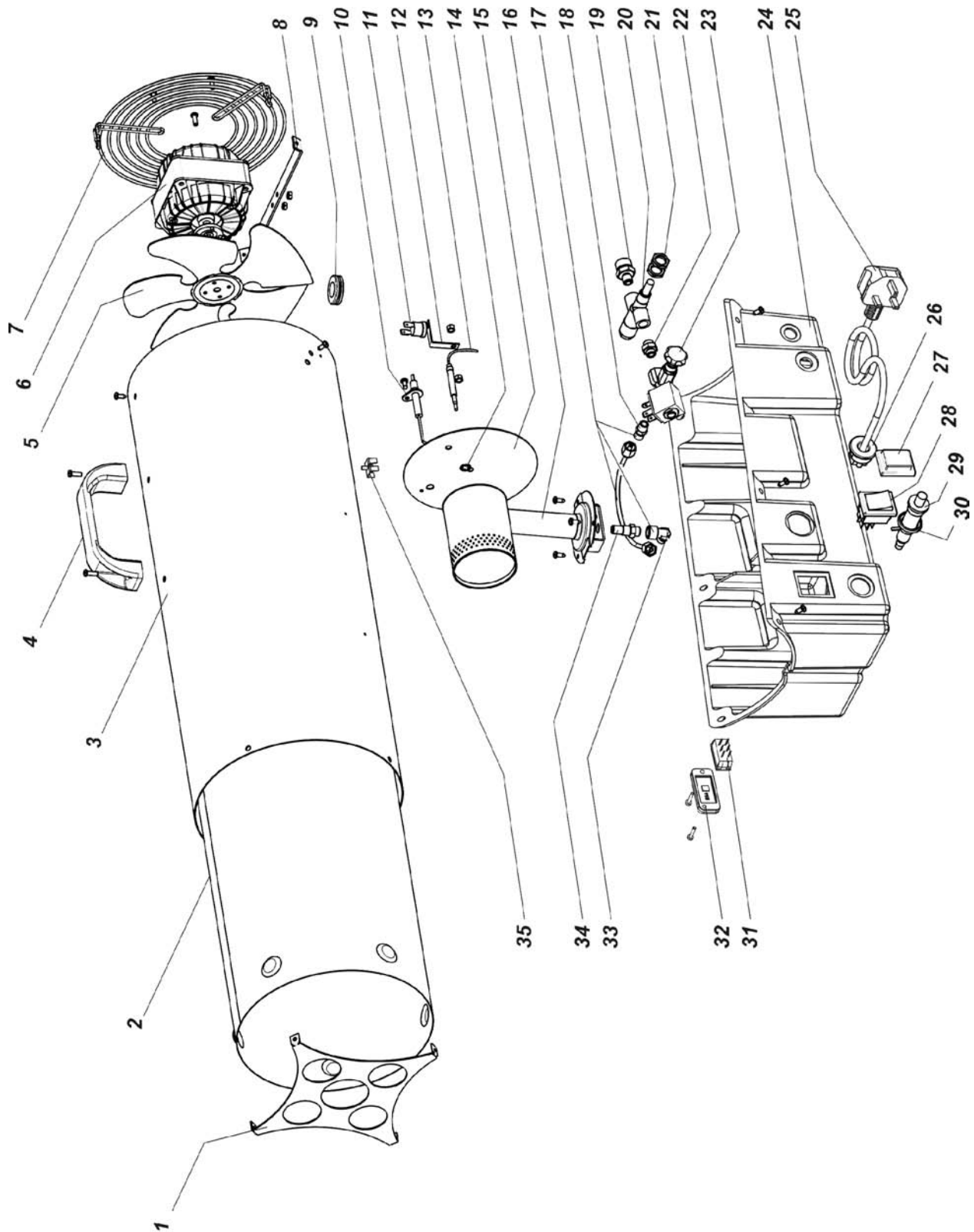
S/R – Parts available by special request only

N/A – Parts not available

MASTER GAS HEATERS

MODEL 30 kW D.V. PB

ILLUSTRATED PARTS BREAKDOWN



MASTER GAS HEATERS BLP 30M PLASTIC BASE DUAL VOLTAGE

Pos.	Code NR	Description
1	4160.764	OUTLET GRID
2	4161.373	COMBUSTION CHAMBER
3	S/R	COVER
4	4160.715	PLASTIC HANDLE
5	4160.690	FAN Ø200 19°
6	4161.165	ELECTRIC MOTOR 80 W 230-240/50HZ IP44
7	4160.784	INLET GRID GALVANIZED
	4161.863	INLET GRID PLASTIC
8	4161.010	SUPPORT ELECTRIC MOTOR
9	4160.646	GROMMET 16-30-22
10	4160.731	IGNITION ELETTRICAL FOLDER
11	4160.636	SAFETY THERMOSTAT90°
12	4160.708	SUPPORT FOR THERMOSTAT
13	4160.654	INTERRUPTED THERMOCOUPLE
14	4160.627	ELASTIC WASHER
15	4160.726	PLATE BURNER
16	4160.687	GAS BURNER
17	4160.724	COPPER EXTENDIN VALVOLE-NOZZLE
18	4160.623	NOZZLE 1/8"
19	4160.700	GAS INLET NOZZLE 3/8 M - 1/8 M
20	4160.653	SAFETY GAS VALVE
21	4160.701	RING NUT M12X0,75
22	4160.968	NOZZLE 1/8"
23	4161.267	GAS COCK WITH ELECTRO-VALVE
24	4161.282	PLASTIC BASE
25	4160.743	ELECTRIC CABLE
26	4160.635	KEEPER WIRE DEVICE PA 107
27	4160.638	COVER SWITCH
28	4160.637	SWITCH
29	4162.222	PIEZO IGNITOR WITH ADAPTER
30	N/A	ADAPTER FOR PIEZO IGNITOR
31	4161.292	SWITCH DUAL VOLTAGE
32	4161.284	COVER SWITCH DUAL VOLTAGE
33	4160.621	90° DEGREE ELBOW 1/8"
34	4160.722	GAS NOZZLE Ø1,15
35	4160.639	RIVET POP

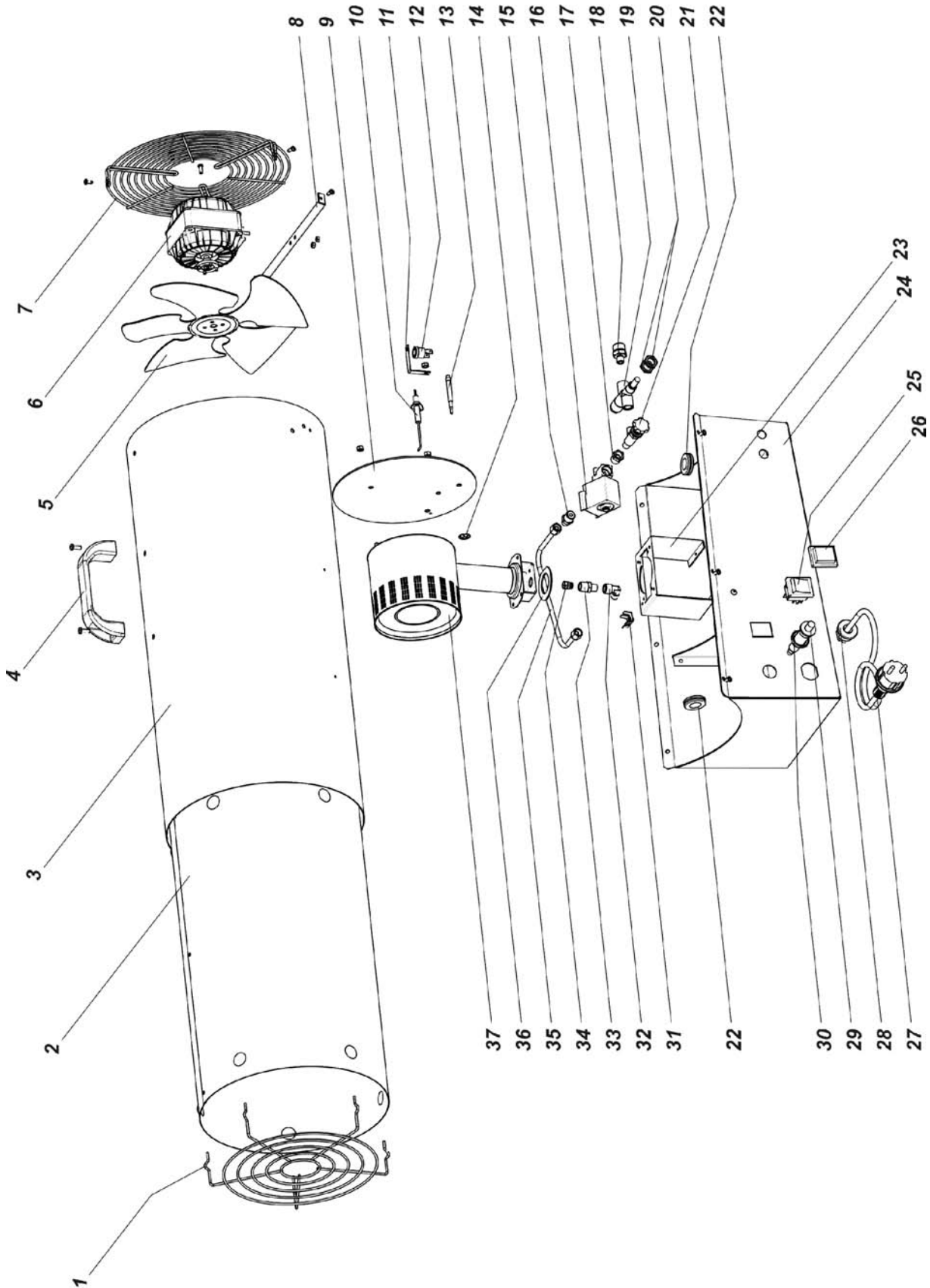
S/R – Parts available by special request only

N/A – Parts not available

MASTER GAS HEATERS

MODEL 50 kW

ILLUSTRATED PARTS BREAKDOWN



MASTER GAS HEATERS BLP 50M

Pos.	Code NR	Description
1	4160.740	OUTLET GRID
2	4161.083	COMBUSTION CHAMBER
3	S/R	COVER
4	4160.715	PLASTIC HANDLE
5	4160.691	FAN
6	4160.630	ELECTRIC MOTOR
7	4160.739	INLET GRID
8	4161.013	SUPPORT ELECTRIC MOTOR
9	4160.744	PLATE BURNER
10	4160.731	IGNITION ELETTRICAL FOLDER
11	4160.708	SUPPORT FOR THERMOSTAT
12	4160.636	SAFETY THERMOSTAT 90°
13	4160.953	INTERRUPTED THERMOCOUPLE
14	4160.627	ELASTIC WASHER
15	4160.962	NOZZLE 1/4" - 1/8"
16	4160.963	ELECTROVALVE
17	4160.964	NIPPLES REDUCER
18	4160.700	GAS INLET NOZZLE 3/8 M - 1/8 M
19	4160.688	SAFETY GAS VALVE
20	4160.701	RING NUT M12X0,75
21	4160.683	GAS COCK
22	4160.646	GROMMET 16-30-22
23	4161.018	SUPPORT BURNER
24	4161.015	BASE
25	4160.637	SWITCH
26	4160.638	COVER SWITCH
27	4160.631	ELECTRIC CABLE
28	4160.635	KEEPER WIRE DEVICE PA 107
29	4162.222	PIEZO IGNITOR WITH ADAPTER
30	N/A	ADAPTER FOR PIEZO IGNITOR
31	4160.639	RIVET POP
32	4160.967	90° DEGREE ELBOW 1/8"
33	4160.768	SUPPORT GAS NOZZLE
34	4160.766	GAS NOZZLE
35	4161.019	COPPER EXTENDIN VALVOLE-NOZZLE
36	4160.769	NECK PLATE
37	4160.676	GAS BURNER

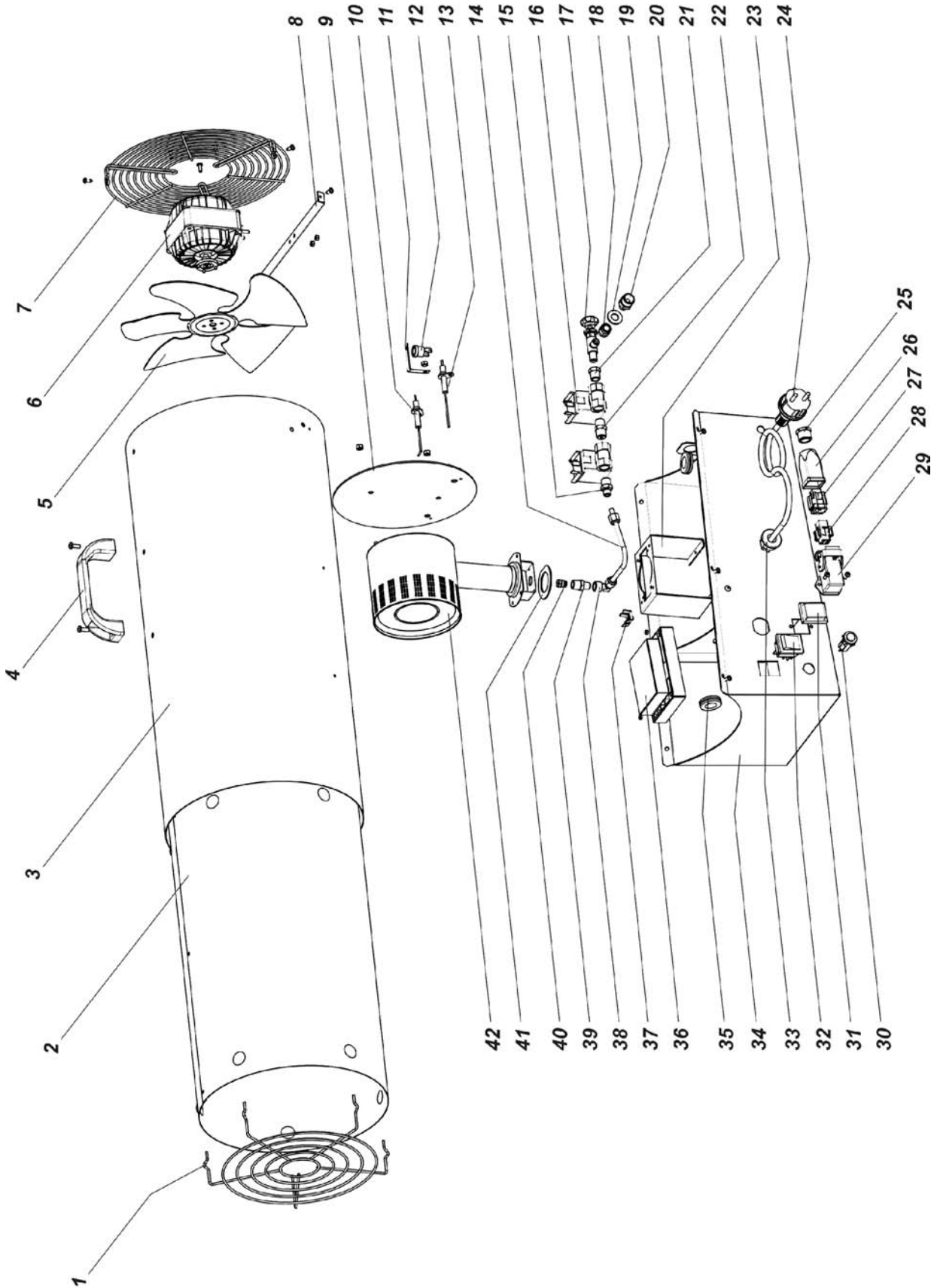
S/R – Parts available by special request only

N/A – Parts not available

MASTER GAS HEATERS

MODEL 50 kW E

ILLUSTRATED PARTS BREAKDOWN



FIG

MASTER GAS HEATERS BLP 50E

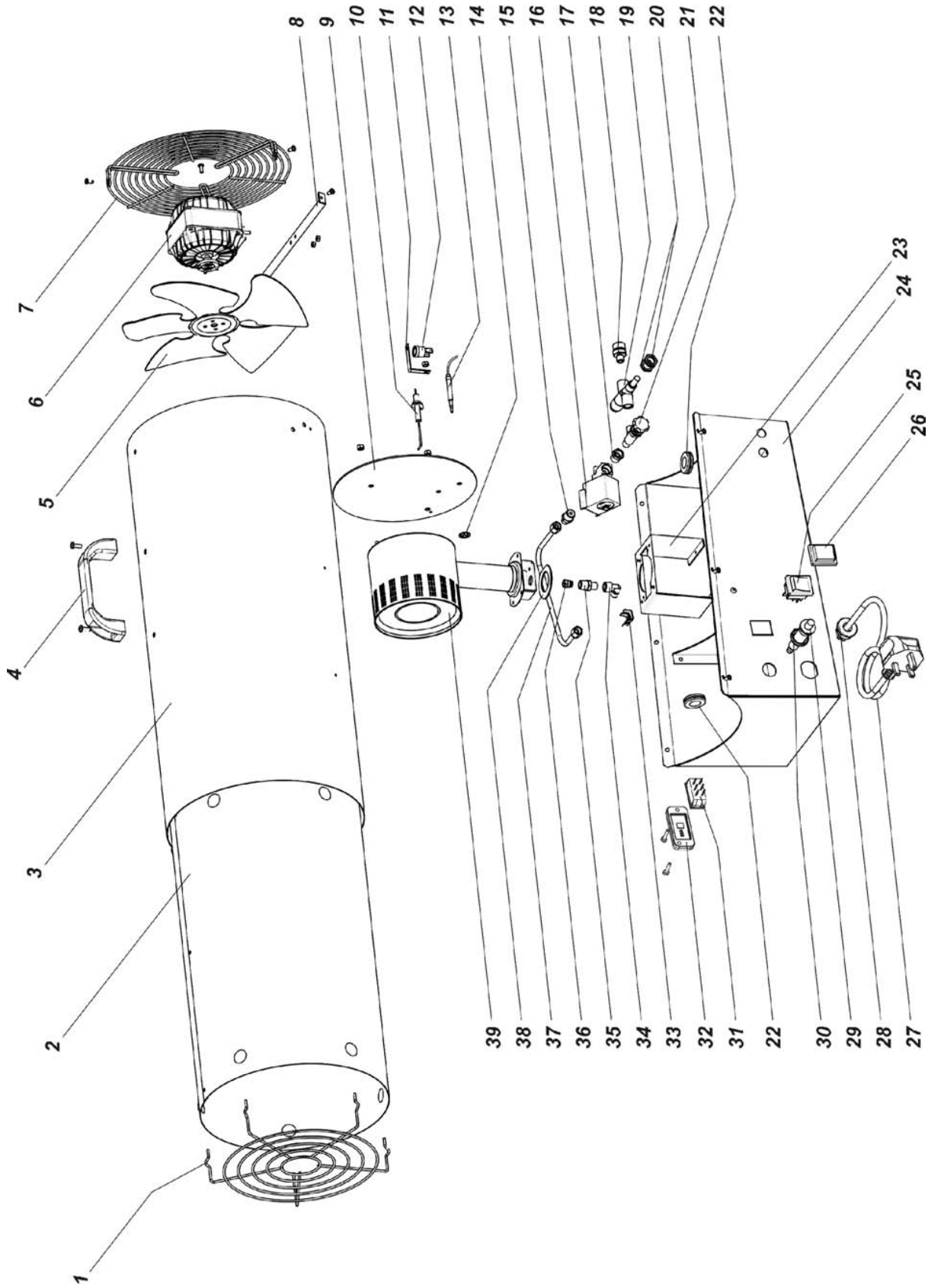
Pos.	Code NR	Description
1	4160.740	OUTLET GRID
2	4161.083	COMBUSTION CHAMBER
3	S/R	COVER
4	4160.715	PLASTIC HANDLE
5	4160.691	FAN
6	4160.630	ELECTRIC MOTOR
7	4160.739	INLET GRID
8	4161.013	SUPPORT ELECTRIC MOTOR
9	4161.041	PLATE BURNER
10	4161.248	IGNITION ELETTRICAL FOLDER
11	4160.708	SUPPORT FOR THERMOSTAT
12	4160.636	SAFETY THERMOSTAT 90°
13	4160.632	FLAME PROBE
14	4161.039	COPPER EXTENDIN VALVOLE-NOZZLE
15	4160.962	NOZZLE 1/4" - 1/8"
16	4160.963	ELECTROVALVE
17	4160.683	GAS COCK
18	4161.094	VERBINDUNGSMUFFE
19	4160.614	PLAIN WASHER M10
20	4160.700	GAS INLET NOZZLE 3/8 M - 1/8 M
21	4160.964	NIPPLES REDUCER
22	4161.095	NOZZLE 1/4"
23	4161.018	SUPPORT BURNER
24	4160.631	ELECTRIC CABLE
25	4160.651	KEEPER WIRE DEVICE PG11
26	4160.648	COMPLETE PLUG IN
27	4160.650	CONNEXION PLUG 5 PIN
27	4161.401	CONNEXION PLUG 4 PIN
28	4160.649	CONNEXION SOCKET 5 PIN
28	4161.400	CONNEXION SOCKET 4 PIN
29	4160.647	ANGULAR FIX CASE
30	4161.058	LIGHT SWITCH
31	4160.638	COVER SWITCH
32	4161.057	SWITCH
33	4160.635	KEEPER WIRE DEVICE PA 107
34	4161.092	BASE
35	4160.646	GROMMET 16-30-22
36	4161.004	ELECTRONIC PC BOARD
37	4160.639	RIVET POP
38	4160.967	90° DEGREE ELBOW 1/8"
39	4160.768	SUPPORT GAS NOZZLE
40	4160.766	GAS NOZZLE
41	4160.769	NECK PLATE
42	4160.676	GAS BURNER

S/R – Parts available by special request only

MASTER GAS HEATERS

MODEL 50 kW D.V.

ILLUSTRATED PARTS BREAKDOWN



MASTER GAS HEATERS BLP 50M DUAL VOLTAGE

Pos.	Code NR	Description
1	4160.740	OUTLET GRID
2	4161.083	COMBUSTION CHAMBER
3	S/R	COVER
4	4160.715	PLASTIC HANDLE
5	4160.691	FAN
6	4161.166	ELECTRIC MOTOR
7	4160.739	INLET GRID
8	4161.013	SUPPORT ELECTRIC MOTOR
9	4160.744	PLATE BURNER
10	4160.731	IGNITION ELETTRICAL FOLDER
11	4160.708	SUPPORT FOR THERMOSTAT
12	4160.636	SAFETY THERMOSTAT 90°
13	4160.953	INTERRUPTED THERMOCOUPLE
14	4160.627	ELASTIC WASHER
15	4160.962	NOZZLE 1/4" - 1/8"
16	4161.268	ELECTROVALVE
17	4160.964	NIPPLES REDUCER
18	4160.700	GAS INLET NOZZLE 3/8 M - 1/8 M
19	4160.688	SAFETY GAS VALVE
20	4160.701	RING NUT M12X0,75
21	4160.683	GAS COCK
22	4160.646	GROMMET 16-30-22
23	4161.018	SUPPORT BURNER
24	4161.472	BASE
25	4160.637	SWITCH
26	4160.638	COVER SWITCH
27	4161.471	ELECTRIC CABLE
28	4160.635	KEEPER WIRE DEVICE PA 107
29	4162.222	PIEZO IGNITOR WITH ADAPTER
30	N/A	ADAPTER FOR PIEZO IGNITOR
31	4161.292	SWITCH DUAL VOLTAGE
32	4161.284	COVER SWITCH DUAL VOLTAGE
33	4160.639	RIVET POP
34	4160.967	90° DEGREE ELBOW 1/8"
35	4160.768	SUPPORT GAS NOZZLE
36	4160.766	GAS NOZZLE
37	4161.019	COPPER EXTENDIN VALVOLE-NOZZLE
38	4160.769	NECK PLATE
39	4160.676	GAS BURNER

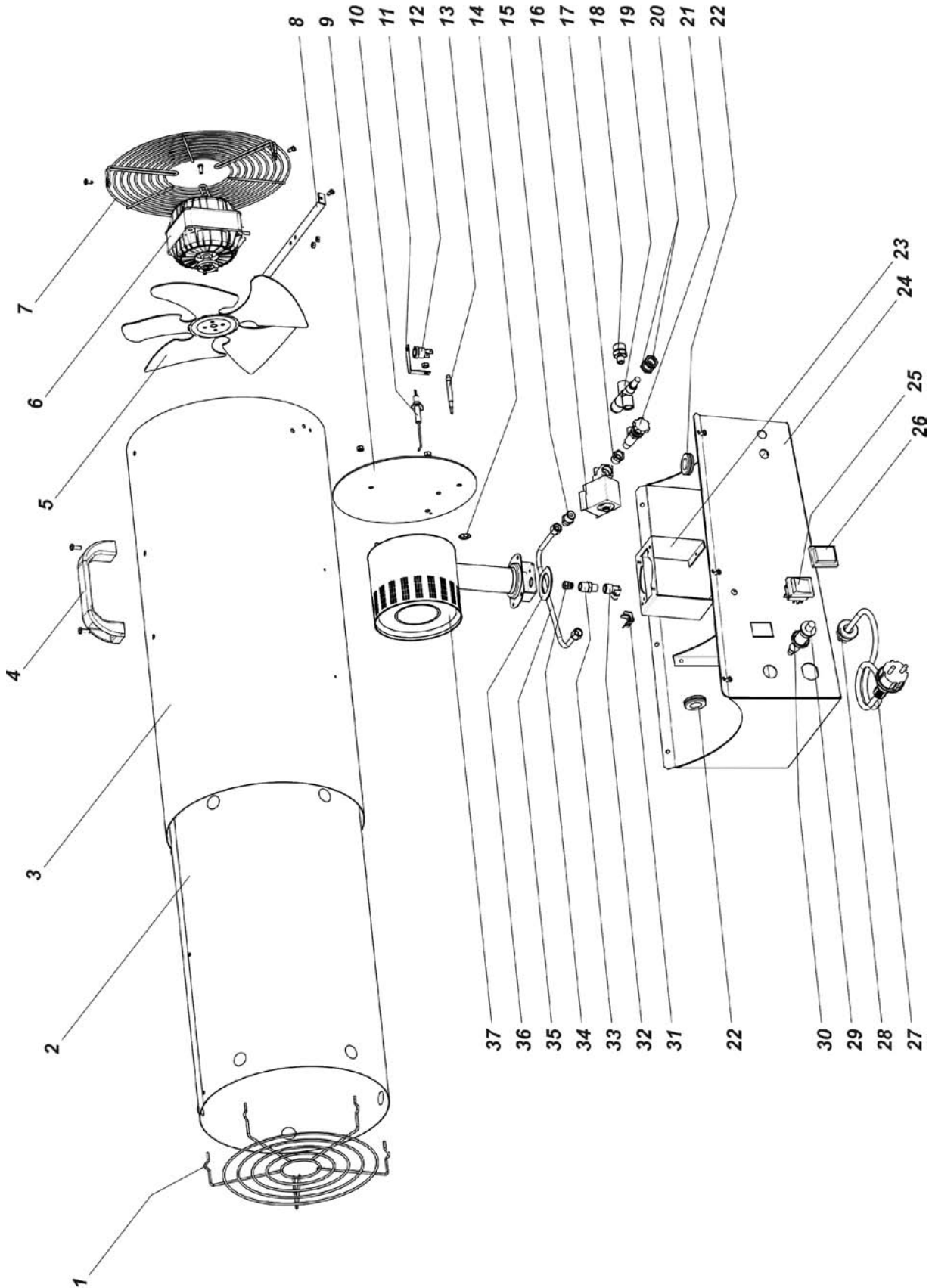
S/R – Parts available by special request only

N/A – Parts not available

MASTER GAS HEATERS

MODEL 70 kW

ILLUSTRATED PARTS BREAKDOWN



MASTER GAS HEATERS BLP 70M

Pos.	Code NR	Description
1	4160.759	OUTLET GRID
2	4160.957	COMBUSTION CHAMBER
3	S/R	COVER
4	4160.715	PLASTIC HANDLE
5	4160.959	FAN
6	4160.958	ELECTRIC MOTOR
7	4160.758	INLET GRID
8	4161.012	SUPPORT ELECTRIC MOTOR
9	4160.744	PLATE BURNER
10	4160.731	IGNITION ELETTRICAL FOLDER
11	4160.708	SUPPORT FOR THERMOSTAT
12	4160.636	SAFETY THERMOSTAT 90°
13	4160.953	INTERRUPTED THERMOCOUPLE
14	4160.627	ELASTIC WASHER
15	4160.962	NOZZLE 1/4" - 1/8"
16	4160.963	ELECTROVALVE
17	4160.964	NIPPLES REDUCER
18	4160.700	GAS INLET NOZZLE 3/8 M - 1/8 M
19	4160.688	SAFETY GAS VALVE
20	4160.701	RING NUT M12X0,75
21	4160.684	GAS COCK
22	4160.646	GROMMET 16-30-22
23	4160.951	SUPPORT BURNER
24	4160.950	BASE
25	4160.637	SWITCH
26	4160.638	COVER SWITCH
27	4160.631	ELECTRIC CABLE
28	4160.635	KEEPER WIRE DEVICE PA 107
29	4162.222	PIEZO IGNITOR WITH ADAPTER
30	N/A	ADAPTER FOR PIEZO IGNITOR
31	4160.639	RIVET POP
32	4160.967	90° DEGREE ELBOW 1/8"
33	4160.768	SUPPORT GAS NOZZLE
34	4160.770	GAS NOZZLE
35	4160.767	COPPER EXTENDIN VALVOLE-NOZZLE
37	4160.676	GAS BURNER

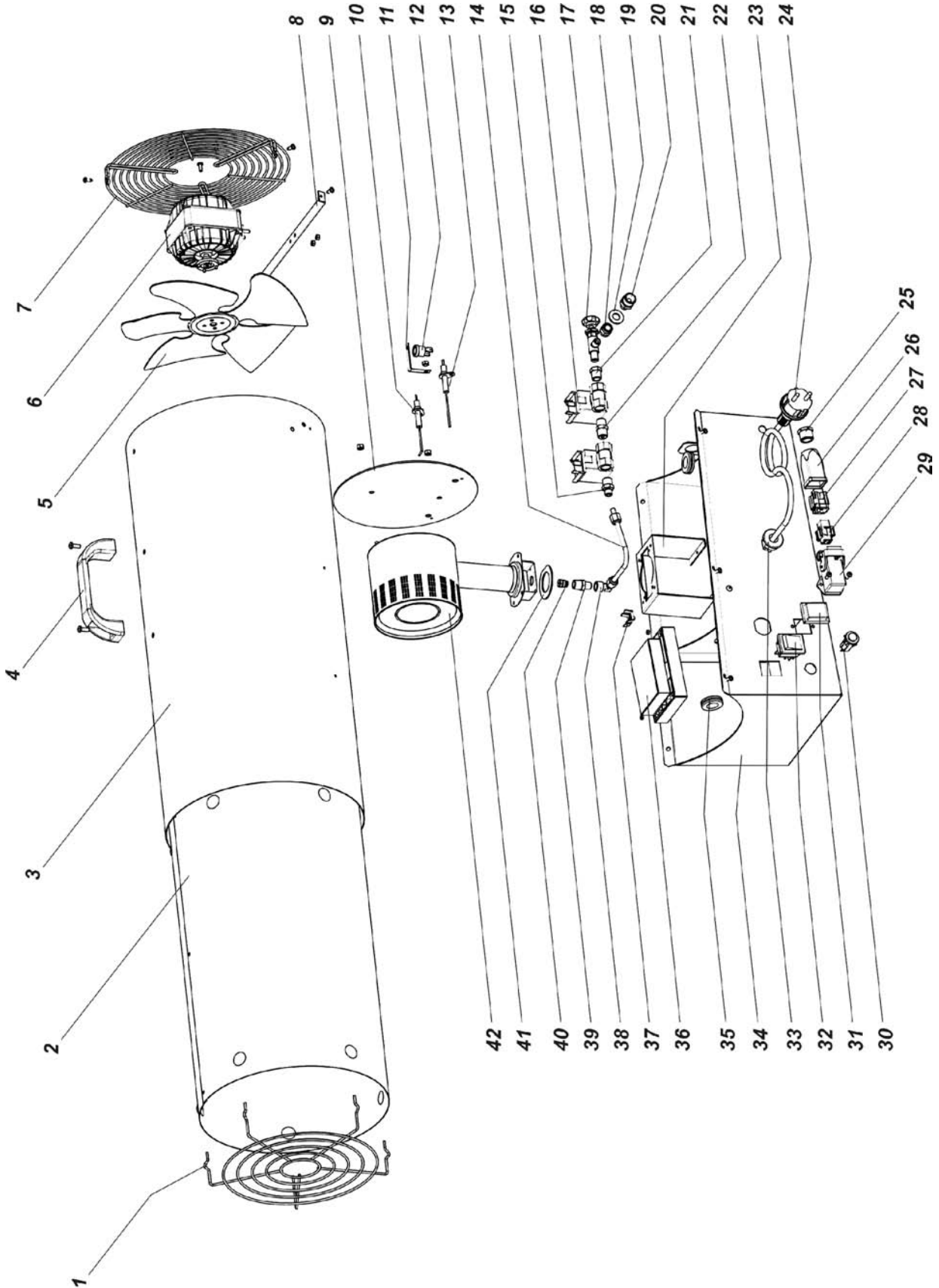
S/R – Parts available by special request only

N/A – Parts not available

MASTER GAS HEATERS

MODEL 70 kW E

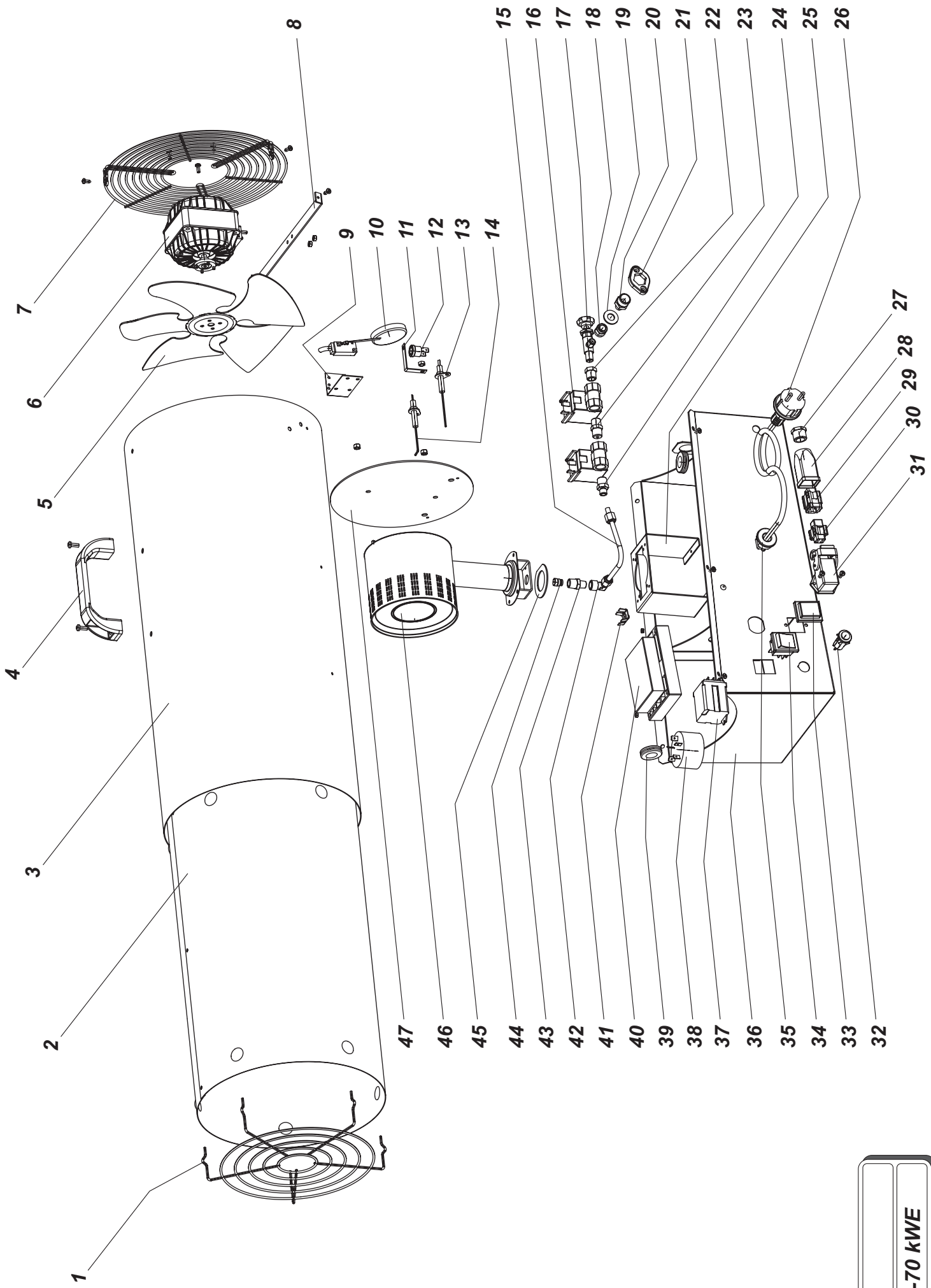
ILLUSTRATED PARTS BREAKDOWN



MASTER GAS HEATERS BLP 70E

Pos.	Code NR	Description
1	4160.759	OUTLET GRID
2	4160.957	COMBUSTION CHAMBER
3	S/R	COVER
4	4160.715	PLASTIC HANDLE
5	4160.959	FAN
6	4160.958	ELECTRIC MOTOR
7	4160.758	INLET GRID
8	4161.012	SUPPORT ELECTRIC MOTOR
9	4161.041	PLATE BURNER
10	4161.248	IGNITION ELETTRICAL FOLDER
11	4160.708	SUPPORT FOR THERMOSTAT
12	4160.636	SAFETY THERMOSTAT 90°
13	4160.632	FLAME PROBE
14	4161.039	COPPER EXTENDIN VALVOLE-NOZZLE
15	4160.962	NOZZLE 1/4" - 1/8"
16	4160.963	ELECTROVALVE
17	4160.684	GAS COCK
18	4161.094	VERBINDUNGSMUFFE
19	4160.614	PLAIN WASHER M10
20	4160.700	GAS INLET NOZZLE 3/8 M - 1/8 M
21	4160.964	NIPPLES REDUCER
22	4161.095	NOZZLE 1/4"
23	4160.951	SUPPORT BURNER
24	4160.631	ELECTRIC CABLE
25	4160.651	KEEPER WIRE DEVICE PG11
26	4160.648	COMPLETE PLUG IN
27	4160.650	CONNEXION PLUG 5 PIN
27	4161.401	CONNEXION PLUG 4 PIN
28	4160.649	CONNEXION SOCKET 5 PIN
28	4161.400	CONNEXION SOCKET 4 PIN
29	4160.647	ANGULAR FIX CASE
30	4161.058	LIGHT SWITCH
31	4160.638	COVER SWITCH
32	4161.057	SWITCH
33	4160.635	KEEPER WIRE DEVICE
34	4161.086	BASE
35	4160.646	PASSACAVO 16-30-22 GROMMET
36	4161.004	ELECTRONIC PC BOARD
37	4160.639	RIVET POP
38	4160.967	90° DEGREE ELBOW 1/8"
39	4160.768	SUPPORT GAS NOZZLE
40	4160.770	GAS NOZZLE
42	4160.676	GAS BURNER

S/R – Parts available by special request only



MASTER GAS HEATERS BLP 50E / BLP 70E 2005 EDITION

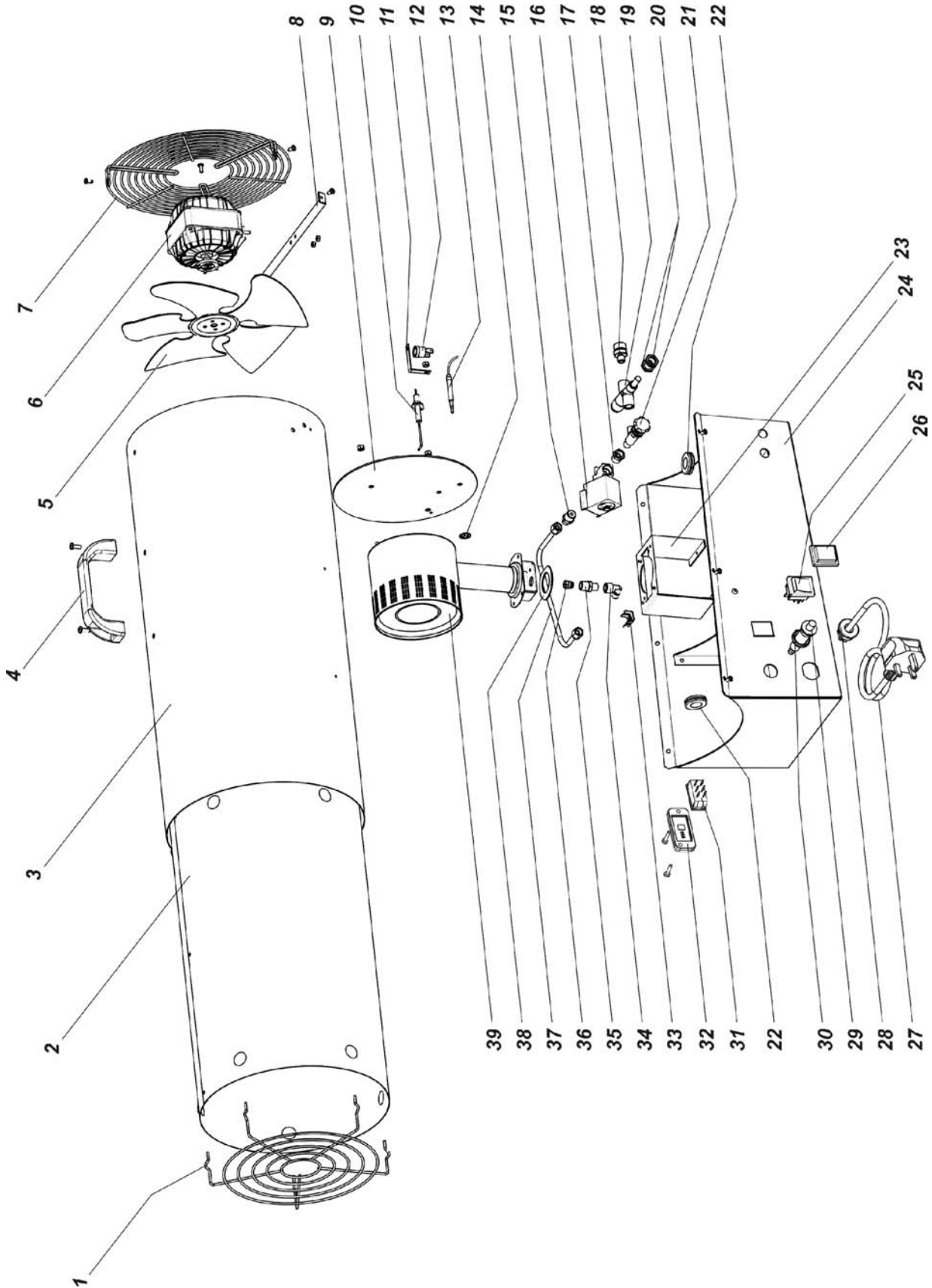
Pos.	50 E	70 E	Description
1	4160.740	4160.759	OUTLET GRID
2	4161.083	4160.957	COMBUSTION CHAMBER
3	S/R	S/R	COVER
4	4160.715	4160.715	PLASTIC HANDLE
5	4160.691	4160.959	FAN
6	4160.630	4160.958	ELECTRIC MOTOR
7	4160.739	4160.758	INLET GRID
8	4161.013	4161.012	SUPPORT ELECTRIC MOTOR
9	4162.341	4162.341	SUPPORT FOR SWITCH
10	4162.340	4162.340	MICRO SWITCH
11	4162.362	4162.362	SUPPORT FOR THERMOSTAT
12	4162.343	4162.343	SAFETY THERMOSTAT
13	4160.632	4160.632	FLAME PROBE
14	4162.190	4162.190	IGNITION ELETTRICAL FOLDER
15	4161.039	4161.039	COPPER EXTENDIN VALVOLE-NOZZLE
16	4160.963	4160.963	ELECTROVALVE
17	4160.683	4160.684	GAS COCK
18	4161.094	4161.094	COUPLING SLEEVE
19	4160.614	4160.614	PLAIN WASHER M10
20	4160.700	4160.700	GAS INLET NOZZLE
21	4161.854	4161.854	BLOCK FOR NIPPLO
22	4160.964	4160.964	NIPPLES REDUCER
23	4161.095	4161.095	NOZZLE 1/4"
24	4160.962	4160.962	NOZZLE 1/4" - 1/8"
25	4161.018	4160.951	SUPPORT BURNER
26	4160.631	4160.631	ELECTRIC CABLE
27	4160.651	4160.651	KEEPER WIRE DEVICE
28	4160.648	4160.648	COMPLETE PLUG IN
29	4160.650	4160.650	CONNEXION PLUG 5 PIN
29	4161.401	4161.401	CONNEXION PLUG 4 PIN
30	4160.649	4160.649	CONNEXION SOCKET 5 PIN
30	4161.400	4161.400	CONNEXION SOCKET 4 PIN
31	4160.647	4160.647	ANGULAR FIX CASE
32	4161.058	4161.058	LIGHT SWITCH
33	4160.638	4160.638	COVER SWITCH
34	4161.057	4161.057	SWITCH
35	4160.635	4160.635	KEEPER WIRE DEVICE
36	4161.092	4161.086	BASE
37	4162.361	4162.361	RELAY
38	4162.187	4162.187	ANTIJAMMING FILTER
39	4160.646	4160.646	GROMMET
40	4161.004	4161.004	ELECTRONIC PC BOARD
41	4160.639	4160.639	RIVET POP
42	4160.967	4160.967	90° DEGREE ELBOW 1/8"
43	4160.768	4160.768	SUPPORT GAS NOZZLE
44	4160.766	4160.770	GAS NOZZLE
45	S/R	S/R	NECK PLATE
46	4160.676	4160.676	GAS BURNER
47	4161.041	4161.041	PLATE BURNER

S/R – Parts available by special request only

MASTER GAS HEATERS

MODEL 70 kW D.V.

ILLUSTRATED PARTS BREAKDOWN



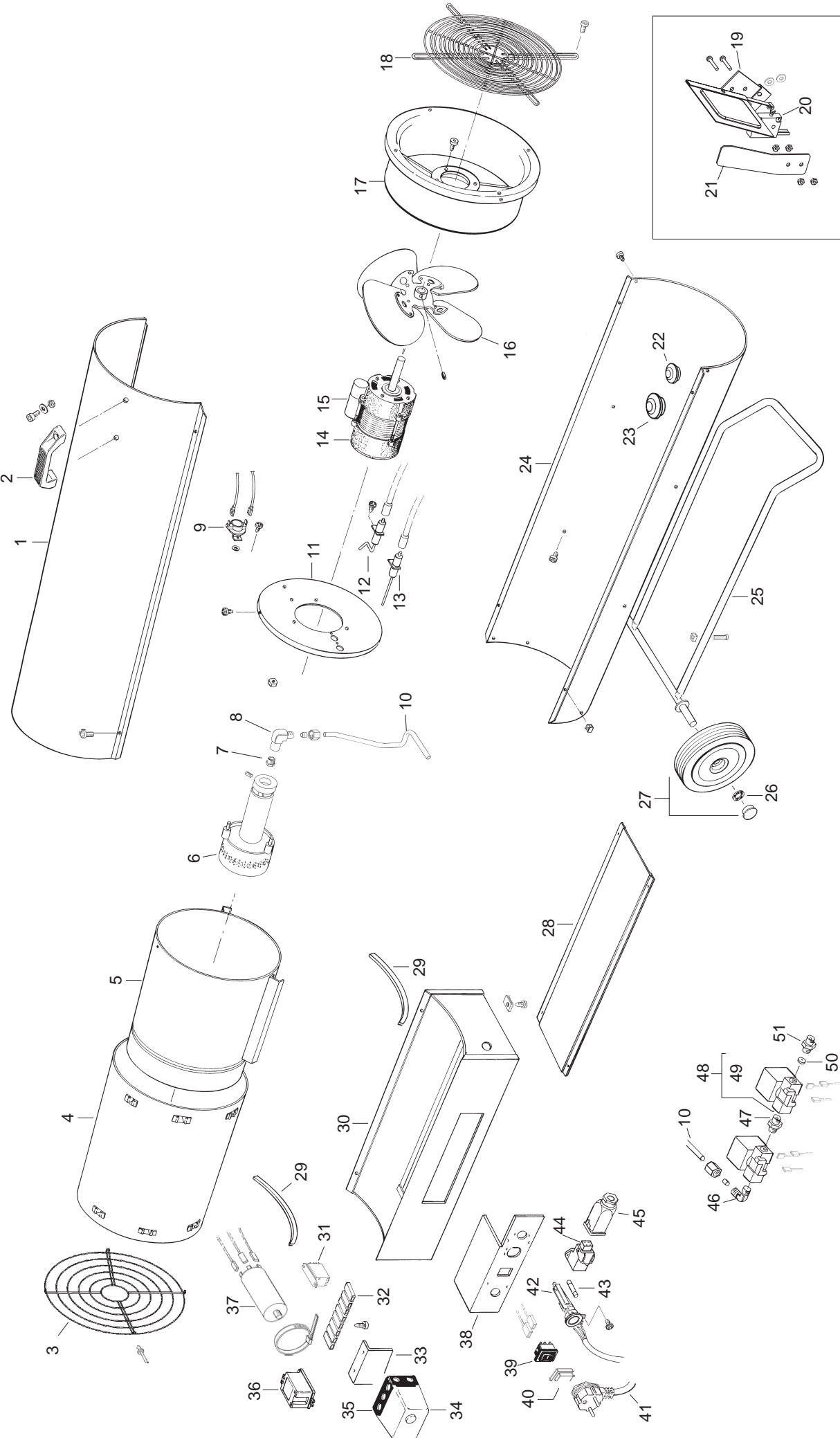
FIG

MASTER GAS HEATERS BLP 70M DUAL VOLTAGE

Pos.	Code NR	Description
1	4160.759	OUTLET GRID
2	4160.957	COMBUSTION CHAMBER
3	S/R	COVER
4	4160.715	PLASTIC HANDLE
5	4160.959	FAN
6	4161.167	ELECTRIC MOTOR
7	4160.758	INLET GRID
8	4161.012	SUPPORT ELECTRIC MOTOR
9	4160.744	PLATE BURNER
10	4160.731	IGNITION ELETTRICAL FOLDER
11	4160.708	SUPPORT FOR THERMOSTAT
12	4160.636	SAFETY THERMOSTAT 90°
13	4160.953	INTERRUPTED THERMOCOUPLE
14	4160.627	ELASTIC WASHER
15	4160.962	NOZZLE 1/4" - 1/8"
16	4160.963	ELECTROVALVE
17	4160.964	NIPPLES REDUCER
18	4160.700	GAS INLET NOZZLE 3/8 M - 1/8 M
19	4160.688	SAFETY GAS VALVE
20	4160.701	RING NUT M12X0,75
21	4160.684	GAS COCK
22	4160.646	GROMMET 16-30-22
23	4160.951	SUPPORT BURNER
24	4160.950	BASE
25	4160.637	SWITCH
26	4160.638	COVER SWITCH
27	4160.631	ELECTRIC CABLE
28	4160.635	KEEPER WIRE DEVICE
29	4162.222	PIEZO IGNITOR WITH ADAPTER
30	N/A	ADAPTER FOR PIEZO IGNITOR
31	4161.292	SWITCH DUAL VOLTAGE
32	4161.284	COVER SWITCH DUAL VOLTAGE
33	4160.639	RIVET POP
34	4160.967	90° DEGREE ELBOW 1/8"
35	4160.768	SUPPORT GAS NOZZLE
36	4160.770	GAS NOZZLE
37	4160.767	COPPER EXTENDIN VALVOLE-NOZZLE
39	4160.676	GAS BURNER

S/R – Parts available by special request only

N/A – Parts not available



BLP 100 E

MASTER GAS HEATERS BLP 100E

Pos.	Code NR	Description
1	S/R	UPPER BODY
2	4162.075	HANDLE
3	4162.074	STAINLESS OUTLET GRILL
4	4162.073	COMBUSTION CHAMBER COVER
5	4162.061	COMBUSTION CHAMBER
6	4162.072	BURNER
7	4162.076	NOZZLE Ø1.9
8	4162.077	NOZZLE CONNECTION
9	4162.071	OVERHEAT THERMOSTAT
10	4162.079	GAS SUPPLY PIPE Ø6
11	4162.068	BURNER PLATE
12	4162.069	IGNITION ELECTRODE
13	4162.070	IONISATION ELECTRODE
14	4162.066	MOTOR 130W 230V
15	4162.144	CONDENSER 5µF
16	4162.065	FAN Ø300 27°
17	S/R	MOTOR FLANGE
18	4162.063	INLET GRILL
19	4162.104	SWITCH SUPPORT
20	4162.105	SWITCH
21	4162.106	STIRRUP
22	4162.101	PROTECTION CABLE Ø18
23	4162.093	PROTECTION CABLE Ø35
24	S/R	LOWER BODY
25	4162.062	FRAME
26	4162.099	WHEEL HOLDER Ø20
27	4162.098	WHEEL Ø200 HUB Ø20
28	4162.058	INSPECTION DOOR
29	4162.100	V SEAL
30	S/R	BASE
31	4162.107	RELAY FINDER 55.32 V230
32	4162.085	TERMINAL BOARD
33	4162.087	SUPPORT
34	4162.089	CTRLBOX SATRONIC DKG972
35	4162.088	BOX BASE SATRONIC DKG972
36	4162.086	TRANSFORMER H.T.
37	4162.103	ANTI-JAMMING FILTER DEM
38	4162.097	ELECTRICAL COMP. DRAWER
39	4162.092	SWITCH I-0-II
40	4162.102	SWITCH PLASTIC PROFILE
41	4162.096	EL. WIRE WITH PLUG
42	4162.094	CABLE FASTENER
43	4162.095	FUSE 4A
44	4162.090	THERMOSTAT PLUG
45	4162.091	PLATE PLUG
46	4162.078	CONNECTION 90° 1/4" MX6
47	4162.082	SCREW 1/4" M-M
48	4162.080	SOLENOID VALVE 1/4" 230V
49	4162.081	SOLENOID SPOOL PARKER 230V
50	4162.083	DIAPHRAGM Ø2,0
51	4162.084	CONNECTION OT 1/4MDX-1/4"MSX

S/R – Parts available by special request only

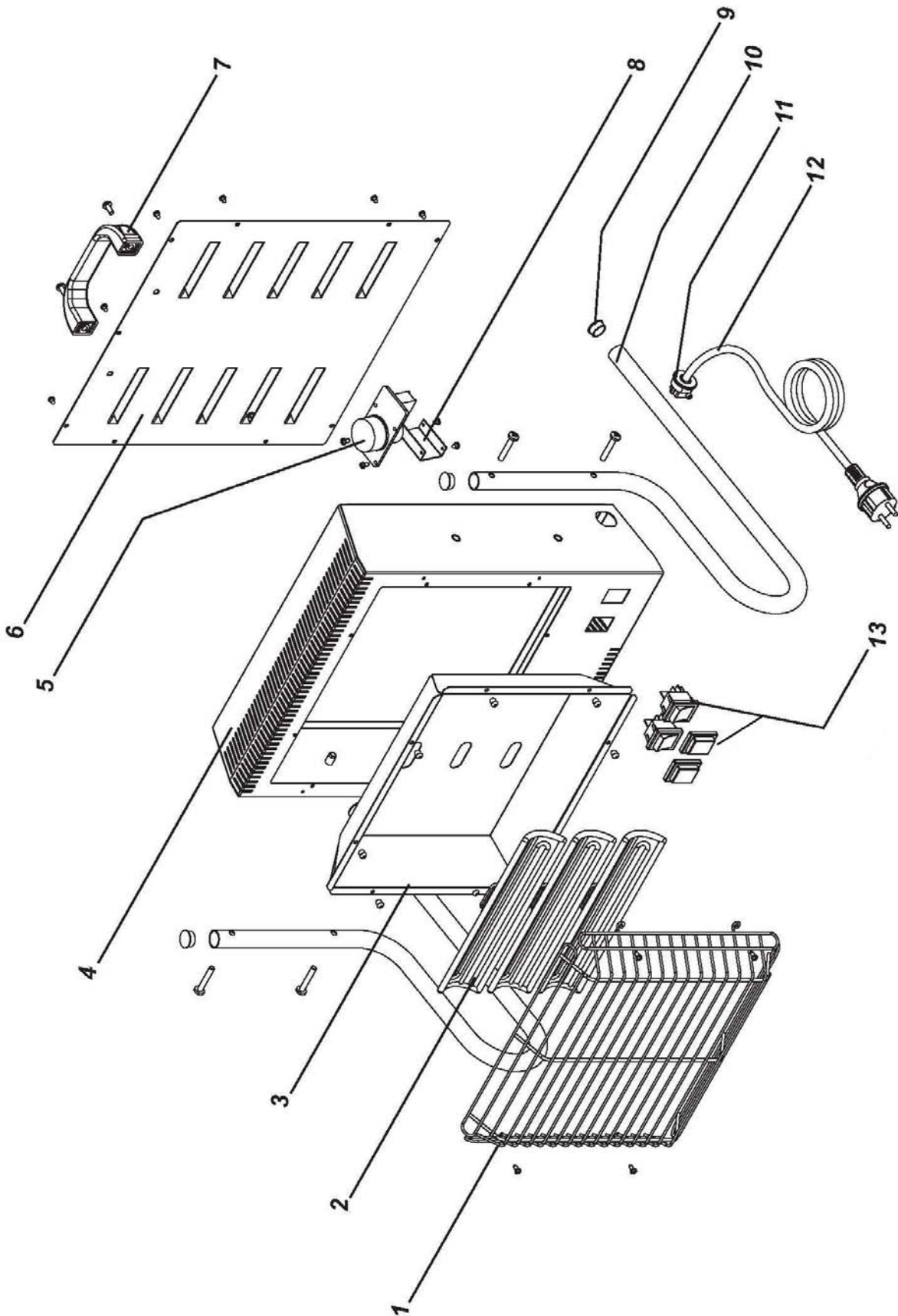
Infrared electric heaters



Heater capacity: 2,4 / 1,5 / 3 kW

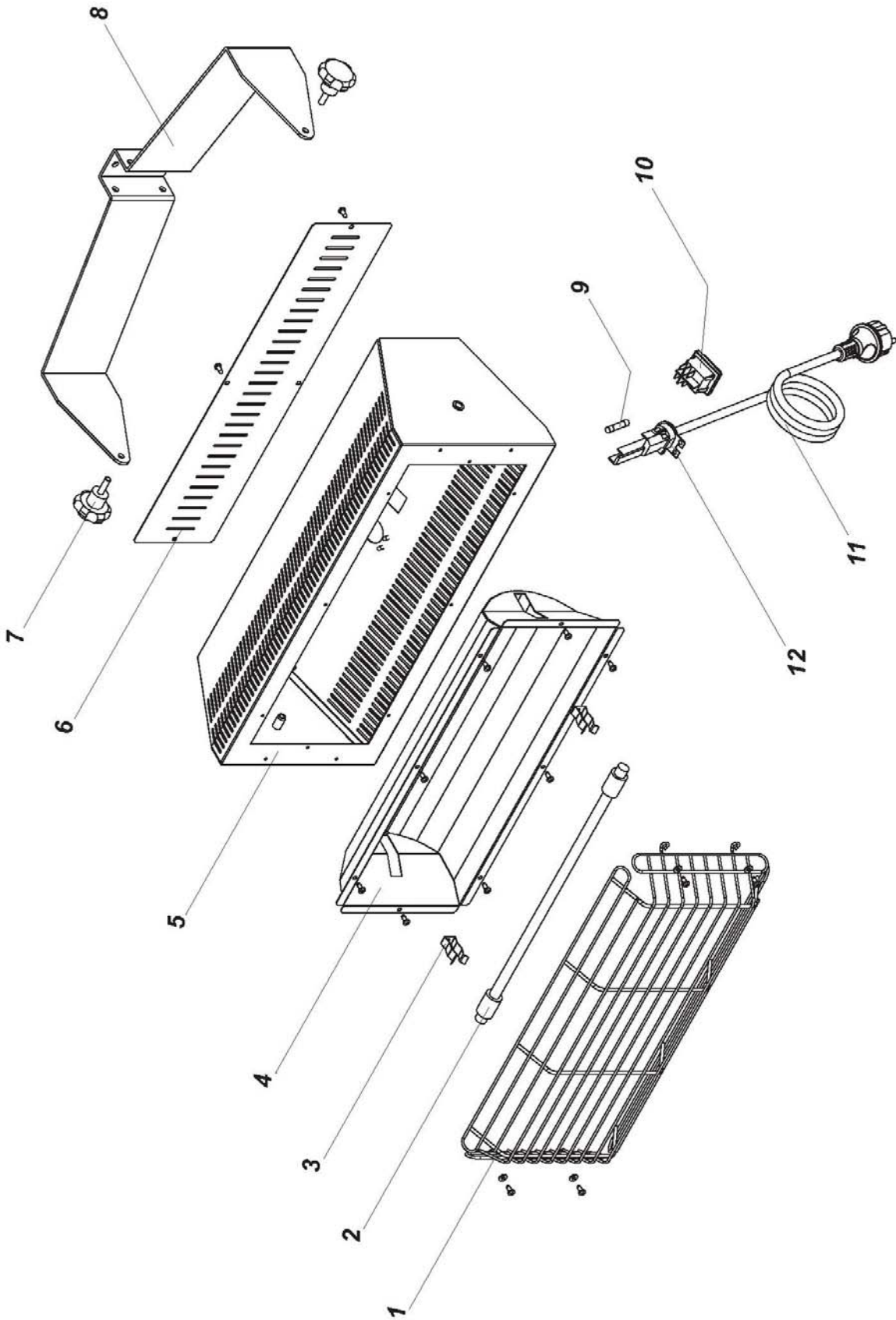
Models

TS 3 A / HALL 1500 / HALL 3000 / HALL 3000 C



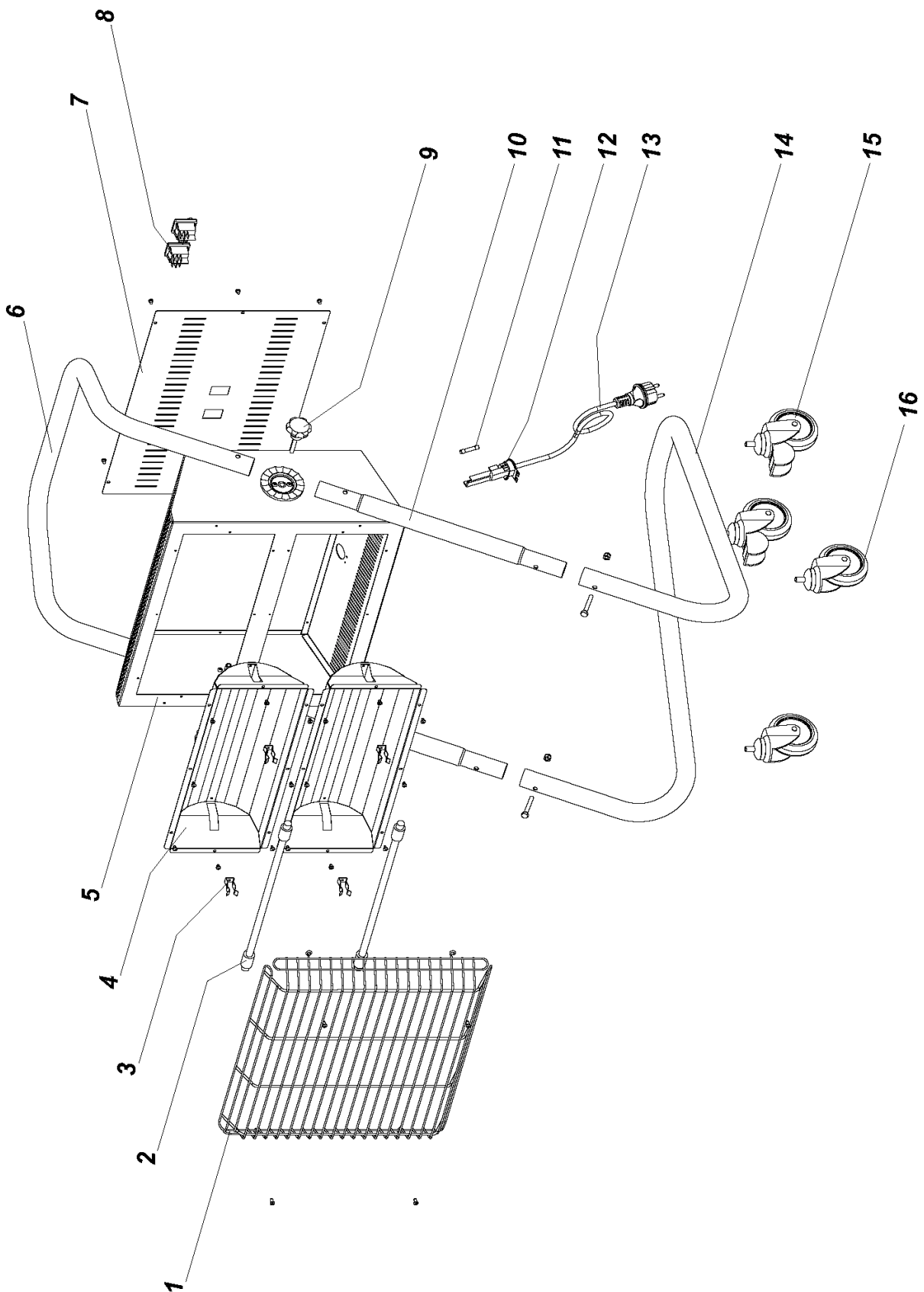
MASTER INFRARED ELECTRIC HEATERS TS 3 A

Pos.	Description	Code NR
1	PROTECTION GRILLE	4165.200
2	LAMP	4165.234
3	PARABOLA	4165.198
4	COVER	4165.230
5	ANGULAR SWITCH	4165.213
6	CLOSING PANEL	4165.196
7	HANDLE	4160.715
8	SWITCH SUPORT	4165.214
9	STOPPER	4165.206
10	FOOT	4165.202
11	CABLE TIE	4160.635
12	POWER CORD	4165.212
13	SWITCH WITH COVER	4165.309



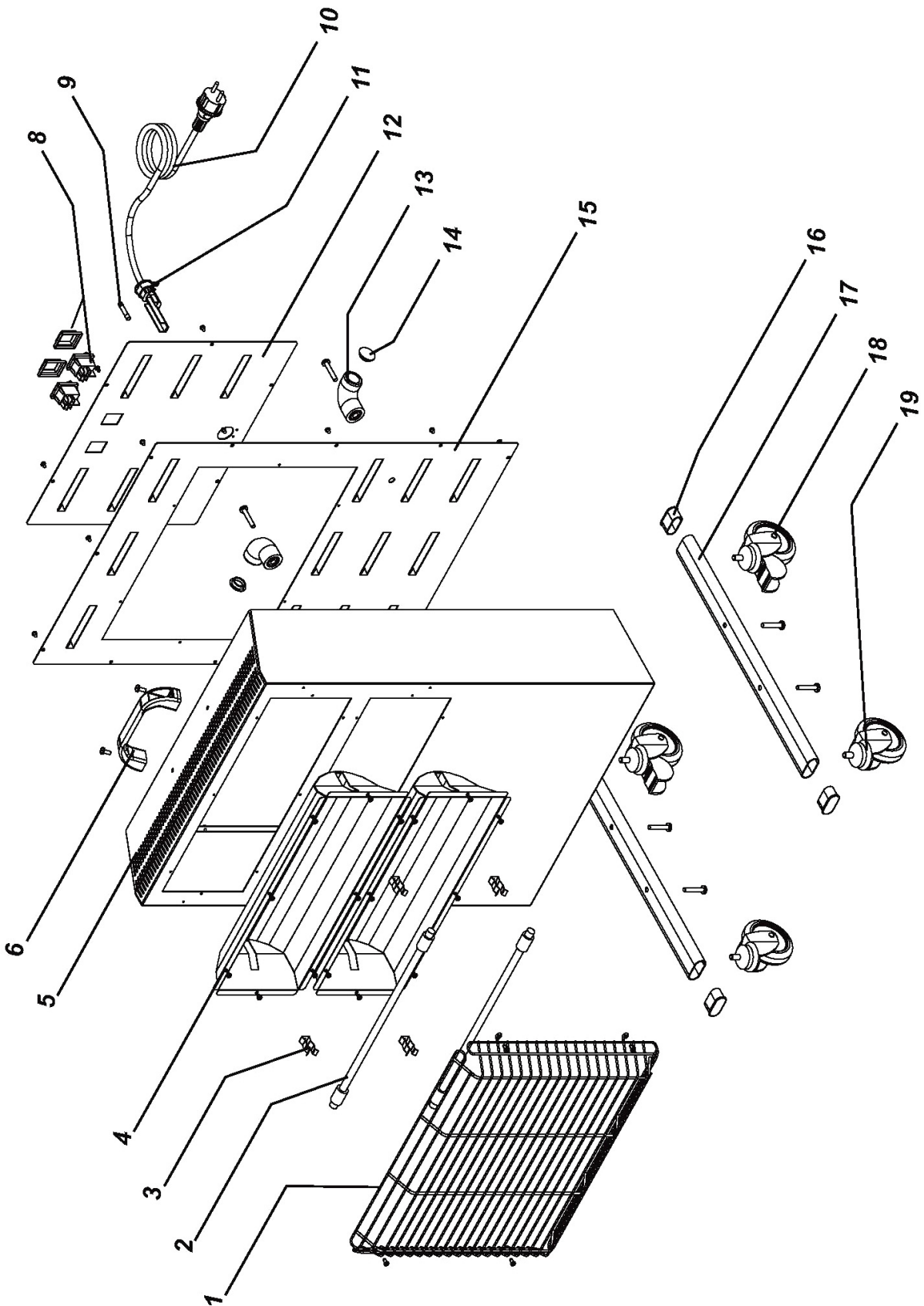
MASTER INFRARED ELECTRIC HEATERS HALL 1500

Pos.	Description	Code NR
1	PROTECTION GRILLE	4165.243
2	LAMP	4165.135
3	CLIP	4165.136
4	PARABOLA	4165.134
5	COVER	4165.257
6	CLOSING PANEL	4165.241
7	FIXING KNOB	4165.151
8	SUPPORT	4165.244
9	FUSE	4111.040
10	SWITCH WITH COVER	4160.637
11	POWER CORD	4165.149
12	CABLE TIE	4111.038
not shown	KIT STAND (OPTIONAL)	4012.321



MASTER INFRARED ELECTRIC HEATERS HALL 3000

Pos.	Description	Code NR
1	PROTECTION GRILLE	4165.137
2	LAMP	4165.135
3	CLIP	4165.136
4	PARABOLA	4165.134
5	COVER	4165.128
6	HANDLE	4165.145
7	CLOSING PANEL	4165.132
8	SWITCH WITH COVER	4160.637
9	FIXING KNOB	4165.151
10	EXTENSION	4165.143
11	FUSE	4160.353
12	CABLE TIE	4111.038
13	POWER CORD	4165.149
14	FOOT	4165.139
15	PIVOTING WHEEL WITH BRAKE	4165.148
16	PIVOTING WHEEL	4165.147



MASTER INFRARED ELECTRIC HEATERS HALL 3000 C

Pos.	Description	Code NR
1	PROTECTION GRILL	4165.137
2	LAMP	4165.135
3	CLIP	4165.136
4	PARABOLA	4165.134
5	COVER	4165.128
6	HANDLE	4160.715
8	SWITCH WITH COVER	4160.637
9	FUSE	4160.353
10	POWER CORD	4165.149
11	CABLE TIE	4111.038
12	CONTROL PANEL	4165.162
13	CABLE HANGER	4165.208
14	STOPPER	4165.207
15	CLOSING PANEL	4165.132
16	STOPPER	4165.208
17	FOOT	4165.164
18	PIVOTING WHEEL WITH BRAKE	4165.148
19	PIVOTING WHEEL	4165.147

Electric heaters

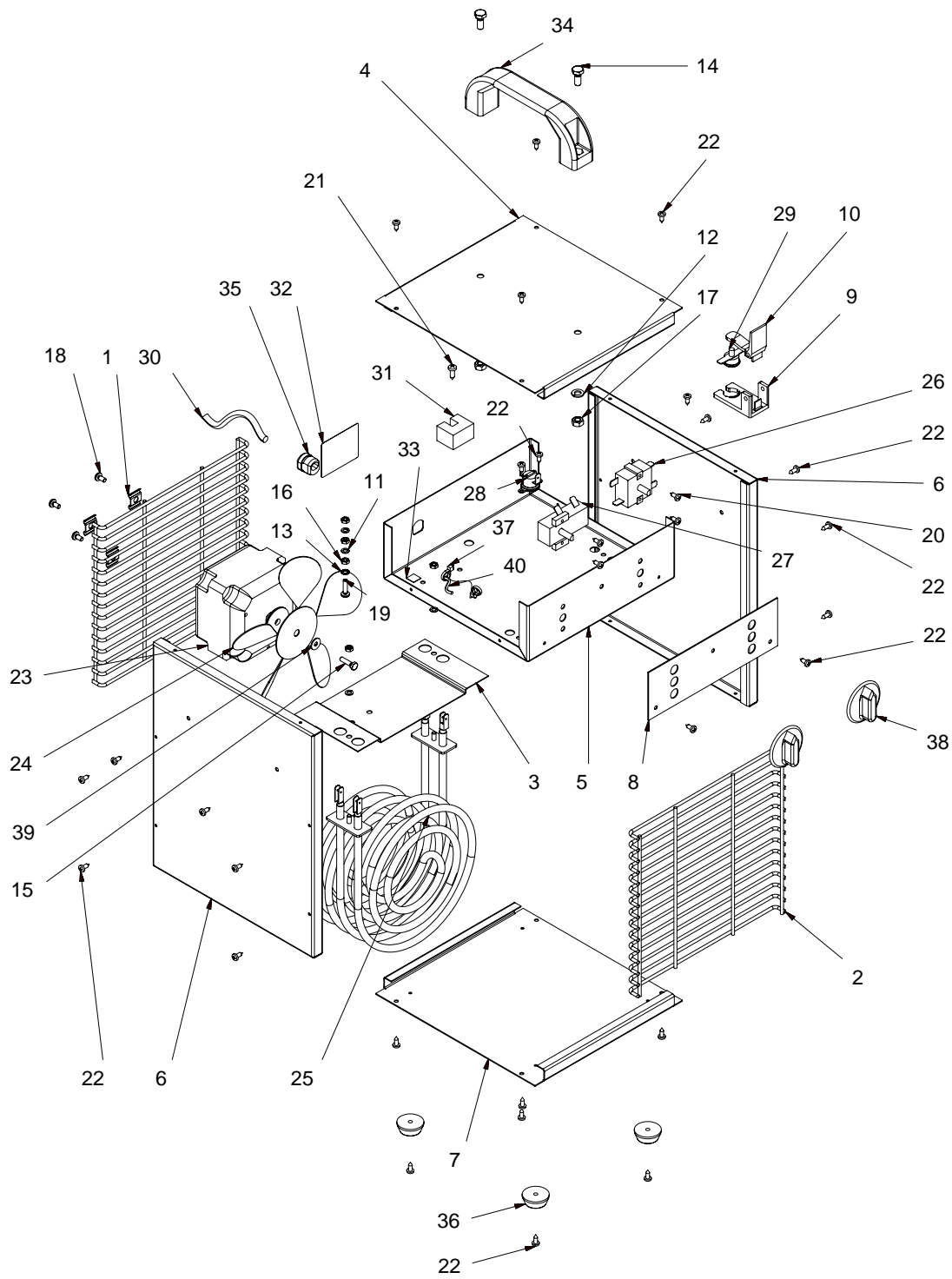


Heater capacity: 2 / 3 / 3,3 / 5 / 9 / 15 / 22 kW

Models

2 EPA / 3 EPA / 3,3 EPA / 5 EPA / 5 EPAR / 9 EPA / 15 EPA / 22 EPA

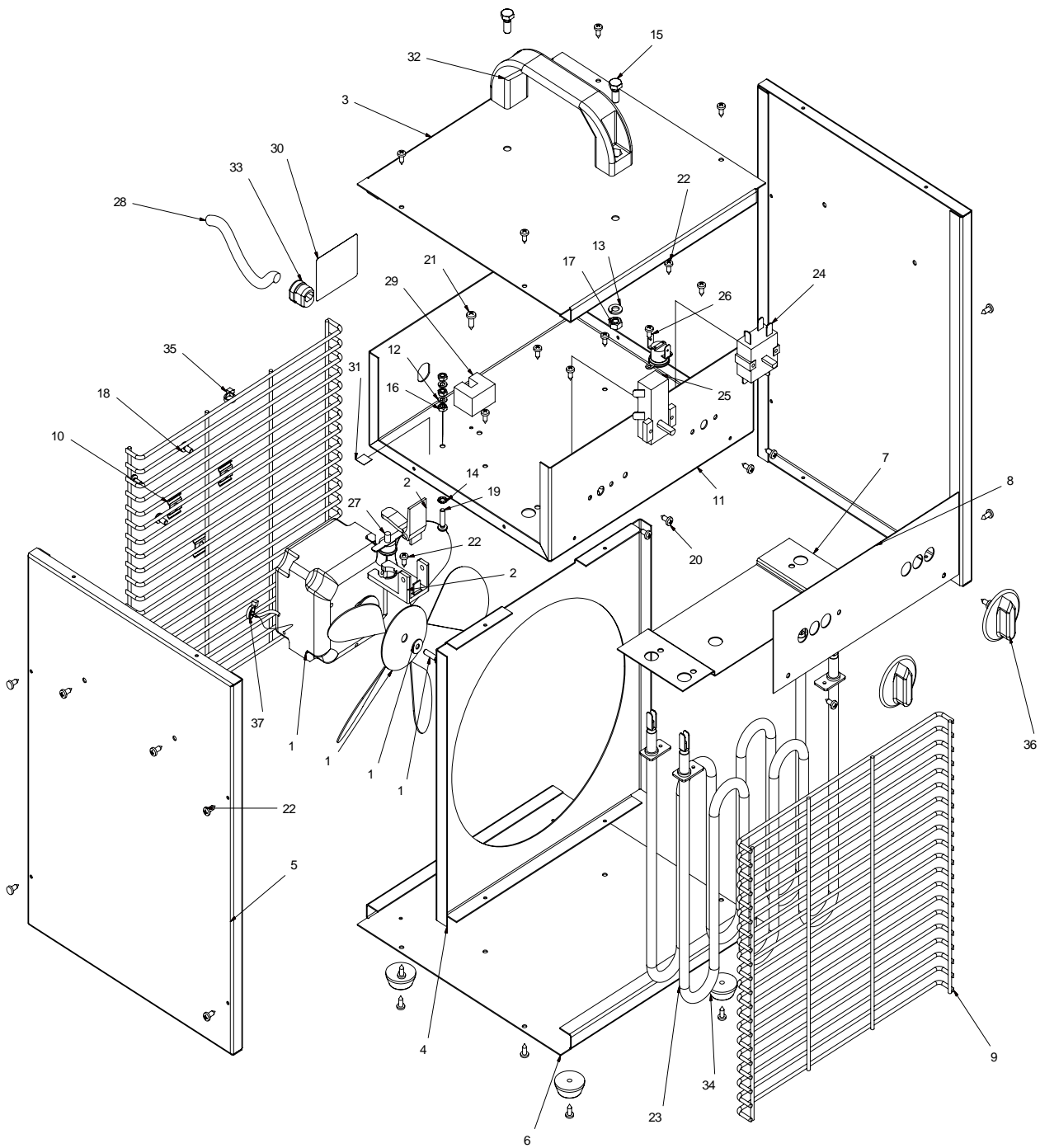
2 IT / 3 IT / 5 IT / 9 IT / 15 IT / 22 IT



MASTER ELECTRIC HEATERS B 2 EPA 2kW

Pos.	Description	Code NR	Qty.
1	WASHER	4510.140	3
2	GRILL	4510.190	2
3	HEAT SHIELD	4510.191	1
4	TOP COVER	4510.192	1
5	SHELF	4510.193	1
6	SIDE COVER	4510.194	2
7	DOWN COVER	4510.195	1
8	NAME PLATE	4510.196	1
9	BASE FOR RESET LEVER	4510.611	1
10	RESET LEVER	4510.612	1
11	WASHER A4	4510.810	4
12	WASHER A6	4510.831	2
13	WASHER A4,3	4510.811	1
14	SCREW M6x14	4510.829	2
15	SCREW M4x16	4510.807	1
16	NUT M4	4510.808	5
17	NUT M6	4510.830	2
18	TAP SCREW M4x8	4510.814	3
19	TAP SCREW M4x16	4510.828	1
20	TAP SCREW ST3,5x9,5	4510.801	4
21	TAP SCREW ST3,9x13	4510.818	1
22	TAP SCREW ST3,9x9,5	4510.802	29
23	MOTOR 5W/230V	4510.301	1
24	FAN	4510.316	1
25	HEATING ELEMENT 1000W	4510.361	2
26	SWITCH	4510.401	1
27	BIMETAL THERMOSTAT	4510.403	1
28	OVERHEAT SENSOR	4510.404	1
29	TEMP LIMITER	4510.405	1
30	POWER CORD	4510.407	1
31	SCREW TERMINAL	4510.409	1
32	DATA PLATE	N/A	1
33	LABEL GROUND WIRE	4510.536	1
34	HANDLE	4510.601	1
35	STRAIN RELIEF BUSHING	4510.605	1
36	LEG RUBBER	4510.607	4
37	BELT	4510.608	2
38	KNOB	4510.610	2
39	WASHER 4,3 12mm	4510.812	1
40	WIRE 1.5 BLUE 0.08	4510.900	1
40	WIRE 1.5 BROWN 0.12	4510.910	1
40	WIRE 1.5 BROWN 0.16	4510.912	1
40	WIRE 1.5 BLUE 0.16	4510.913	1
40	WIRE 1.5 BROWN 0.16	4510.914	1
40	WIRE 1.5 BROWN 0.20	4510.916	2
40	WIRE 1.5 BLUE 0.20	4510.918	1
40	WIRE 1.5 BLUE 0.20	4510.922	1
40	WIRE 1.5 BROWN 0.23	4510.923	1

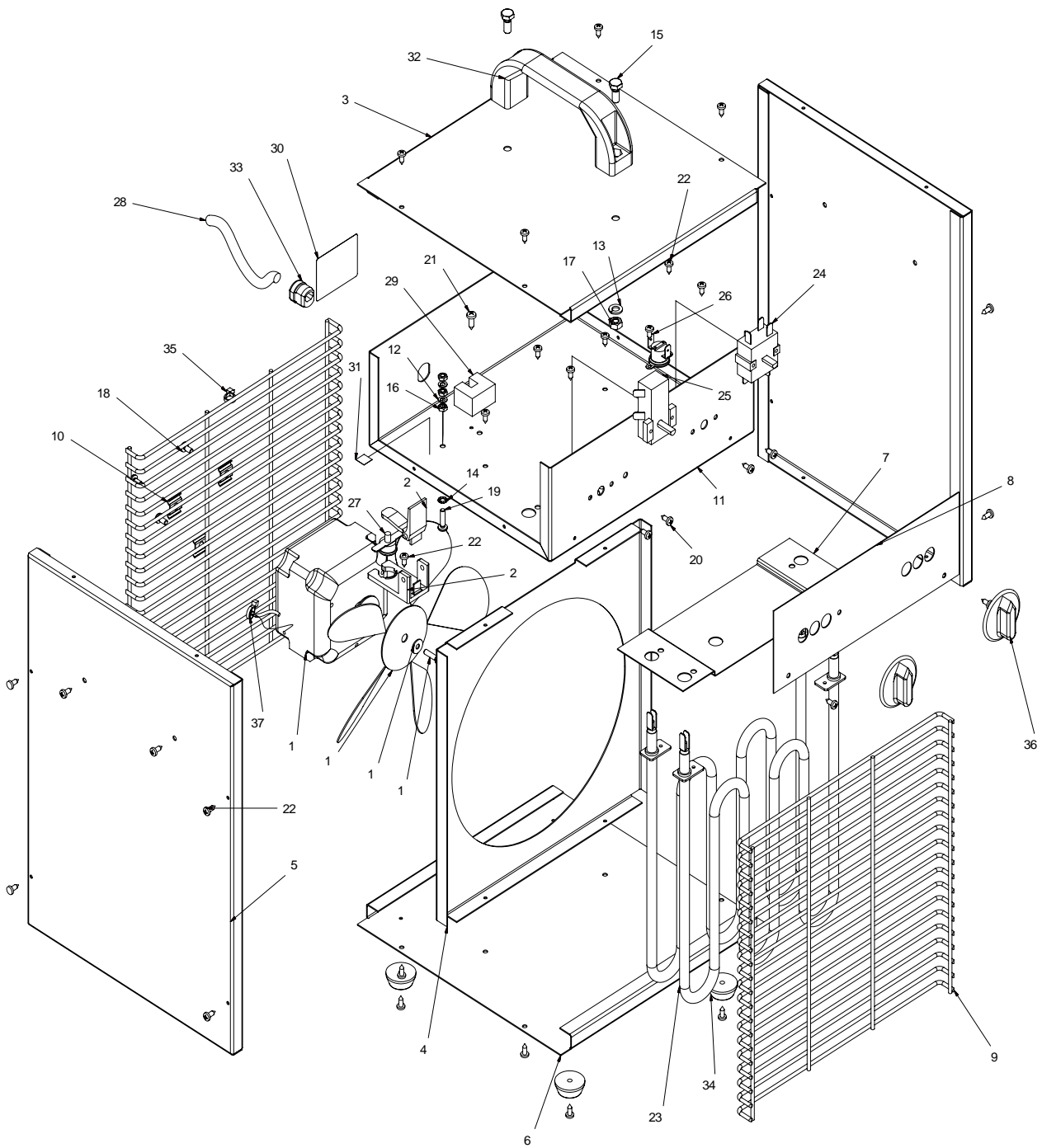
N/A = Parts Not Available



MASTER ELECTRIC HEATERS B 3 EPA 3kW

Pos.	Description	Code NR	Qty.
1.1	SCREW M4x16	4510.807	1
1.2	MOTOR 5W/230V	4510.301	1
1.3	FAN	4510.317	1
1.4	WASHER 4,3 12mm	4510.812	1
2.1	BASE FOR RESET LEVER	4510.611	1
2.2	RESET LEVER	4510.612	1
3	TOP COVER	4510.102	1
4	ROUND COVER	4510.112	1
5	SIDE COVER	4510.116	2
6	DOWN COVER	4510.121	1
7	HEAT SHIELD	4510.126	1
8	NAME PLATE	4510.135	1
9	GRILL	4510.138	2
10	WASHER	4510.140	3
11	SHELF	4510.178	1
12	WASHER A4	4510.810	2
13	WASHER A6	4510.831	2
14	WASHER A4,3	4510.811	1
15	SCREW M6x14	4510.829	2
16	NUT M4	4510.808	3
17	NUT M6	4510.830	2
18	TAP SCREW M4x8	4510.814	3
19	TAP SCREW M4x16	4510.828	1
20	TAP SCREW ST3,5x9,5	4510.801	4
21	TAP SCREW ST3,9x13	4510.818	1
22	TAP SCREW ST3,9x9,5	4510.802	36
23	HEATING ELEMENT 1400W	4510.362	2
24	SWITCH	4510.401	1
25	BIMETAL THERMOSTAT	4510.403	1
26	OVERHEAT SENSOR	4510.404	1
27	TEMP LIMITER	4510.405	1
28	POWER CORD	4510.408	1
29	SCREW TERMINAL	4510.409	1
30	DATA PLATE	N/A	1
31	LABEL GROUND WIRE	4510.536	1
32	HANDLE	4510.601	1
33	STRAIN RELIEF BUSHING	4510.605	1
34	LEG RUBBER	4510.607	4
35	BELT	4510.608	2
36	KNOB	4510.610	2
37	WIRE 1.5 BLUE 0.08	4510.900	2
37	WIRE 1.5 BROWN 0.11	4510.904	3
37	WIRE 1.5 BROWN 0.12	4510.910	1
37	WIRE 1.5 BLUE 0.20	4510.918	1
37	WIRE 1.5 BLUE 0.08	4510.919	1
37	WIRE 1.5 BROWN 0.25	4510.927	1
37	WIRE 1.5 BROWN 0.25	4510.928	1

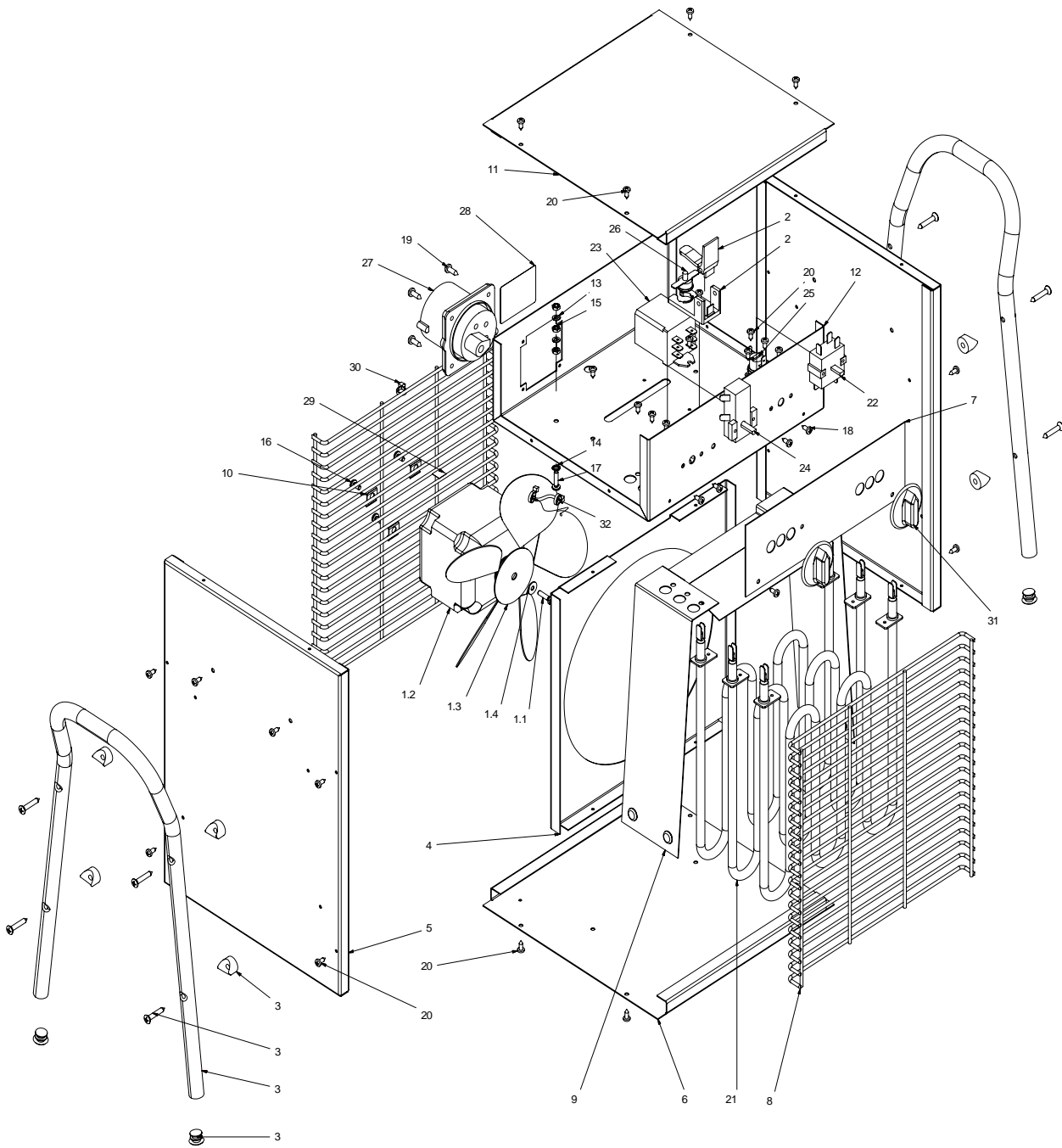
N/A = Parts Not Available



MASTER ELECTRIC HEATERS B 3.3 EPA 3,3kW

Pos.	Description	Code NR	Qty.
1.1	SCREW M4x16	4510.807	1
1.2	MOTOR 5W/230V	4510.301	1
1.3	FAN	4510.317	1
1.4	WASHER 4,3 12mm	4510.812	1
2.1	BASE FOR RESET LEVER	4510.611	1
2.2	RESET LEVER	4510.612	1
3	TOP COVER	4510.102	1
4	ROUND COVER	4510.112	1
5	SIDE COVER	4510.116	2
6	DOWN COVER	4510.121	1
7	HEAT SHIELD	4510.126	1
8	NAME PLATE	4510.135	1
9	GRILL	4510.138	2
10	WASHER	4510.140	3
11	SHELF	4510.178	1
12	WASHER A4	4510.810	2
13	WASHER A6	4510.831	2
14	WASHER A4,3	4510.811	1
15	SCREW M6x14	4510.829	2
16	NUT M4	4510.808	3
17	NUT M6	4510.830	2
18	TAP SCREW M4x8	4510.814	3
19	TAP SCREW M4x16	4510.828	1
20	TAP SCREW ST3,5x9,5	4510.801	4
21	TAP SCREW ST3,9x13	4510.818	1
22	TAP SCREW ST3,9x9,5	4510.802	36
23	HEATING ELEMENT 1666W	4510.359	2
24	SWITCH	4510.401	1
25	BIMETAL THERMOSTAT	4510.403	1
26	OVERHEAT SENSOR	4510.404	1
27	TEMP LIMITER	4510.405	1
28	POWER CORD	4510.408	1
29	SCREW TERMINAL	4510.409	1
30	DATA PLATE	N/A	1
31	LABEL GROUND WIRE	4510.536	1
32	HANDLE	4510.601	1
33	STRAIN RELIEF BUSHING	4510.605	1
34	LEG RUBBER	4510.607	4
35	BELT	4510.608	2
36	KNOB	4510.610	2
37	WIRE 1.5 BLUE 0.08	4510.900	2
37	WIRE 1.5 BROWN 0.11	4510.904	3
37	WIRE 1.5 BROWN 0.12	4510.910	1
37	WIRE 1.5 BLUE 0.20	4510.918	1
37	WIRE 1.5 BLUE 0.08	4510.919	1
37	WIRE 1.5 BROWN 0.25	4510.927	1
37	WIRE 1.5 BROWN 0.25	4510.928	1

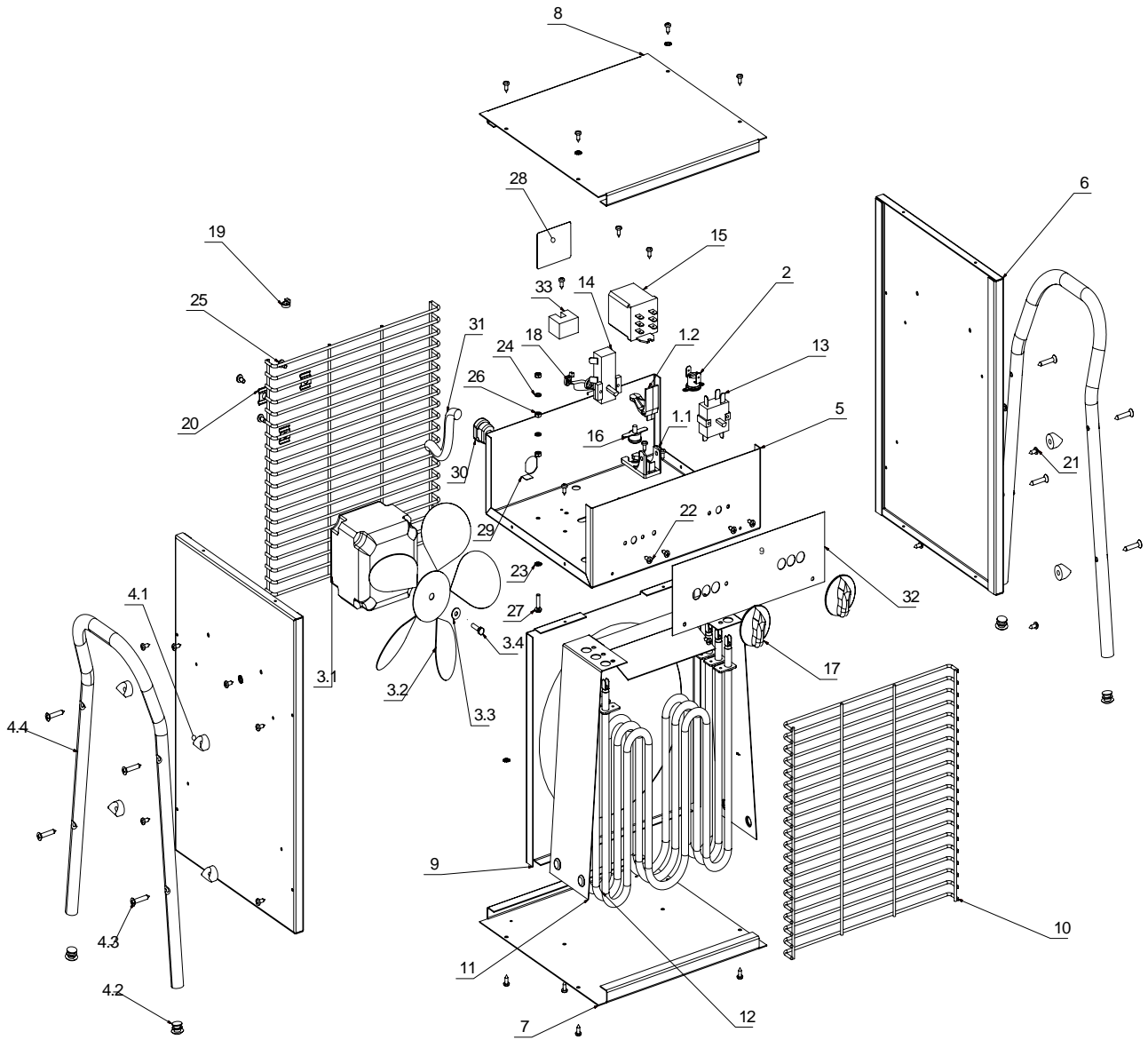
N/A = Parts Not Available



MASTER ELECTRIC HEATERS B 5 EPA 5kW

Pos.	Description	Code NR	Qty.
1.1	SCREW M4x16	4510.807	1
1.2	MOTOR 12W/230V	4510.306	1
1.3	FAN	4510.317	1
1.4	WASHER 4,3 12mm	4510.812	1
2.1	BASE FOR RESET LEVER	4510.611	1
2.2	RESET LEVER	4510.612	1
3.1	PIPE HANDLE	4510.128	2
3.2	TAP SCREW ST3,9x25	4510.817	8
3.3	PLASTIC DISTANCE 15mm	4510.603	8
3.4	PIPE CAP 12mm	4510.604	4
4	ROUND COVER	4510.112	1
5	SIDE COVER	4510.117	2
6	DOWN COVER	4510.121	1
7	NAME PLATE	4510.136	1
8	GRILL	4510.138	2
9	HEAT SHIELD	4510.139	1
10	WASHER	4510.140	3
11	TOP COVER	4510.143	1
12	SHELF	4510.181	1
13	WASHER A4	4510.810	2
14	WASHER A4,3	4510.811	1
15	NUT M4	4510.808	3
16	TAP SCREW M4x8	4510.814	3
17	TAP SCREW M4x16	4510.828	1
18	TAP SCREW ST3,5x9,5	4510.801	4
19	TAP SCREW ST3,9x13	4510.818	4
20	TAP SCREW ST3,9x9,5	4510.802	40
21	HEATING ELEMENT 1666W	4510.359	3
22	SWITCH	4510.401	1
23	RELAY	4510.402	1
24	BIMETAL THERMOSTAT	4510.403	1
25	OVERHEAT SENSOR	4510.404	1
26	TEMP LIMITER	4510.405	1
27	PLUG	4510.406	1
28	DATA PLATE	N/A	1
29	LABEL GROUND WIRE	4510.536	1
30	BELT	4510.608	3
31	KNOB	4510.610	2
32	WIRE 1.5 BLUE 0.08	4510.900	2
32	WIRE 1.5 BROWN 0.12	4510.910	1
32	WIRE 1.5 BROWN 0.13	4510.911	1
32	WIRE 1.5 BLUE 0.16	4510.913	1
32	WIRE 1.5 BROWN 0.20	4510.916	1
32	WIRE 1.5 BROWN 0.20	4510.917	2
32	WIRE 1.5 BLUE 0.08	4510.919	1
32	WIRE 1.5 BROWN 0.24	4510.925	2
32	WIRE 1.5 BLUE 0.30	4510.926	1
32	WIRE 1.5 BROWN 0.38	4510.934	1
32	WIRE 1.5 BROWN 2*0.15	4510.937	1
32	WIRE 2.5 YELLOW 0.10	4510.938	1

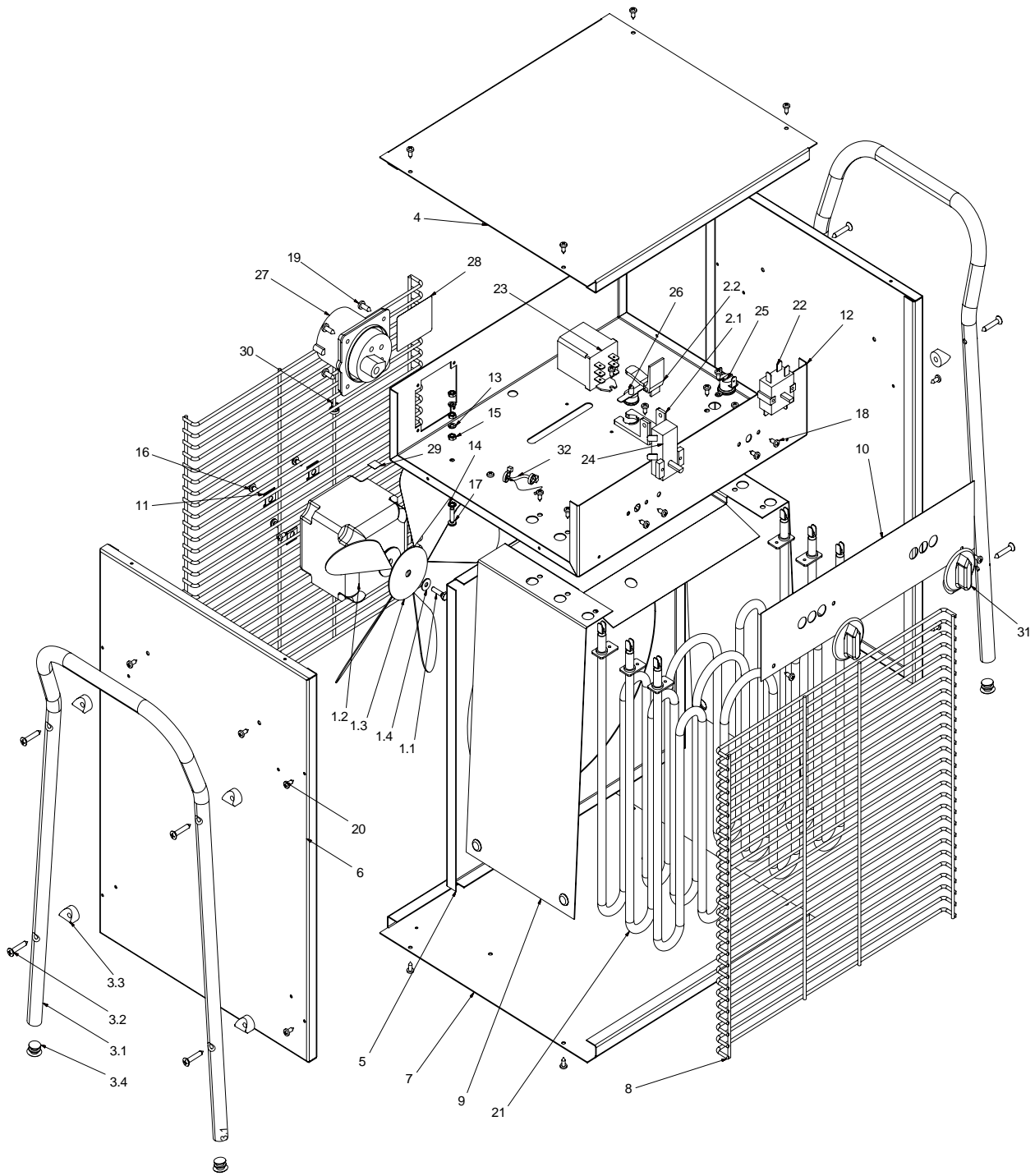
N/A = Parts Not Available



MASTER ELECTRIC HEATERS B 5 EPA R

Pos.	Description	Code NR	Qty.
1.1	BASE FOR RESET LEVER	4510.611	1
1.2	RESET LEVER	4510.612	1
2	OVERHEAT SENSOR	4510.404	1
3.1	MOTOR 12W/230V	4510.306	1
3.2	FAN	4510.317	1
3.3	WASHER 4,3 12mm	4510.812	1
3.4	SCREW M4x16	4510.807	1
4.1	PLASTIC DISTANCE 15mm	4510.603	8
4.2	PIPE CAP 12mm	4510.604	4
4.3	TAP SCREW ST3,9x25	4510.817	8
4.4	PIPE HANDLE	4510.128	2
5	SHELF	4510.236	1
6	SIDE COVER	4510.117	2
7	DOWN COVER	4510.121	1
8	TOP COVER	4510.143	1
9	ROUND COVER	4510.112	1
10	GRILL	4510.138	2
11	HEAT SHIELD	4510.139	1
12	HEATING ELEMENT 1666W	4510.359	3
13	SWITCH	4510.401	1
14	BIMETAL THERMOSTAT	4510.403	1
15	RELAY	4510.402	1
16	TEMP LIMITER	4510.405	1
17	KNOB	4510.610	3
18	ELECTRICAL WIRE SET	4510.741	1
19	BELT	4510.608	3
20	WASHER	4510.140	3
21	TAP SCREW ST3,9x9,5	4510.802	37
22	TAP SCREW ST3,5x9,5	4510.801	4
23	WASHER A4,3	4510.811	7
24	WASHER A4	4510.810	2
25	SCREW M4x8 BLACK	4510.814	3
26	NUT M4	4510.808	3
27	TAP SCREW M4x16	4510.828	1
28	DATA PLATE	N/A	1
29	LABEL GROUND WIRE	N/A	1
30	STRAIN RELIEF BUSHING	4510.605	1
31	POWER CORD	4510.420	1
32	FRONT PANEL	4510.242	1
33	SCREW TERMINAL	4510.421	1

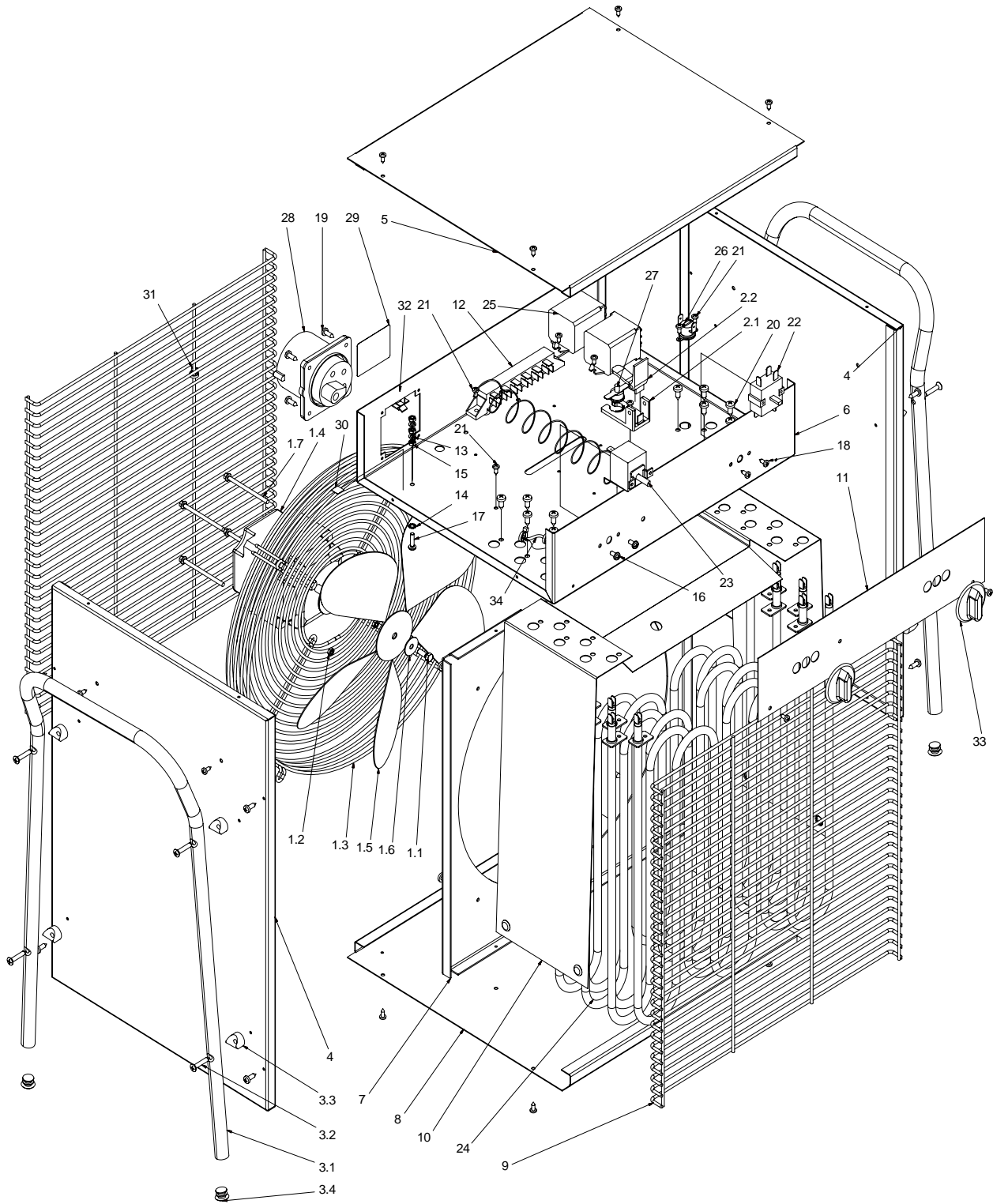
N/A = Parts Not Available



MASTER ELECTRIC HEATERS B 9 EPA 9kW

Pos.	Description	Code NR	Qty.
1.1	SCREW M4x16	4510.807	1
1.2	MOTOR 16W/230V	4510.307	1
1.3	FAN	4510.318	1
1.4	WASHER 4,3 12mm	4510.812	1
2.1	BASE FOR RESET LEVER	4510.611	1
2.2	RESET LEVER	4510.612	1
3.1	PIPE HANDLE	4510.129	2
3.2	TAP SCREW ST3,9x25	4510.817	8
3.3	PLASTIC DISTANCE 15mm	4510.603	8
3.4	PIPE CAP 12mm	4510.604	4
4	TOP COVER	4510.104	1
5	ROUND COVER	4510.114	1
6	SIDE COVER	4510.119	2
7	DOWN COVER	4510.123	1
8	GRILL	4510.125	2
9	HEAT SHIELD	4510.127	1
10	NAME PLATE	4510.137	1
11	WASHER	4510.140	3
12	SHELF	4510.183	1
13	WASHER A4	4510.810	2
14	WASHER A4,3	4510.811	1
15	NUT M4	4510.808	3
16	TAP SCREW M4x8	4510.814	3
17	TAP SCREW M4x16	4510.828	1
18	TAP SCREW ST3,5x9,5	4510.801	4
19	TAP SCREW ST3,9x13	4510.818	4
20	TAP SCREW ST3,9x9,5	4510.802	36
21	HEATING ELEMENT 3000W	4510.360	3
22	SWITCH	4510.401	1
23	RELAY	4510.402	1
24	BIMETAL THERMOSTAT	4510.403	1
25	OVERHEAT SENSOR	4510.404	1
26	TEMP LIMITER	4510.405	1
27	PLUG	4510.406	1
28	DATA PLATE	N/A	1
29	LABEL GROUND WIRE	4510.536	1
30	BELT	4510.608	3
31	KNOB	4510.610	2
32	WIRE 1.5 BLUE 0.08	4510.900	2
32	WIRE 1.5 BROWN 0.12	4510.910	1
32	WIRE 1.5 BROWN 0.13	4510.911	1
32	WIRE 1.5 BLUE 0.16	4510.913	1
32	WIRE 1.5 BROWN 0.20	4510.916	1
32	WIRE 1.5 BROWN 0.20	4510.917	2
32	WIRE 1.5 BLUE 0.08	4510.919	1
32	WIRE 1.5 BROWN 0.24	4510.925	2
32	WIRE 1.5 BLUE 0.30	4510.926	1
32	WIRE 1.5 BROWN 0.38	4510.934	1
32	WIRE 1.5 BROWN 2*0.15	4510.937	1
32	WIRE 2.5 YELLOW 0.10	4510.938	1

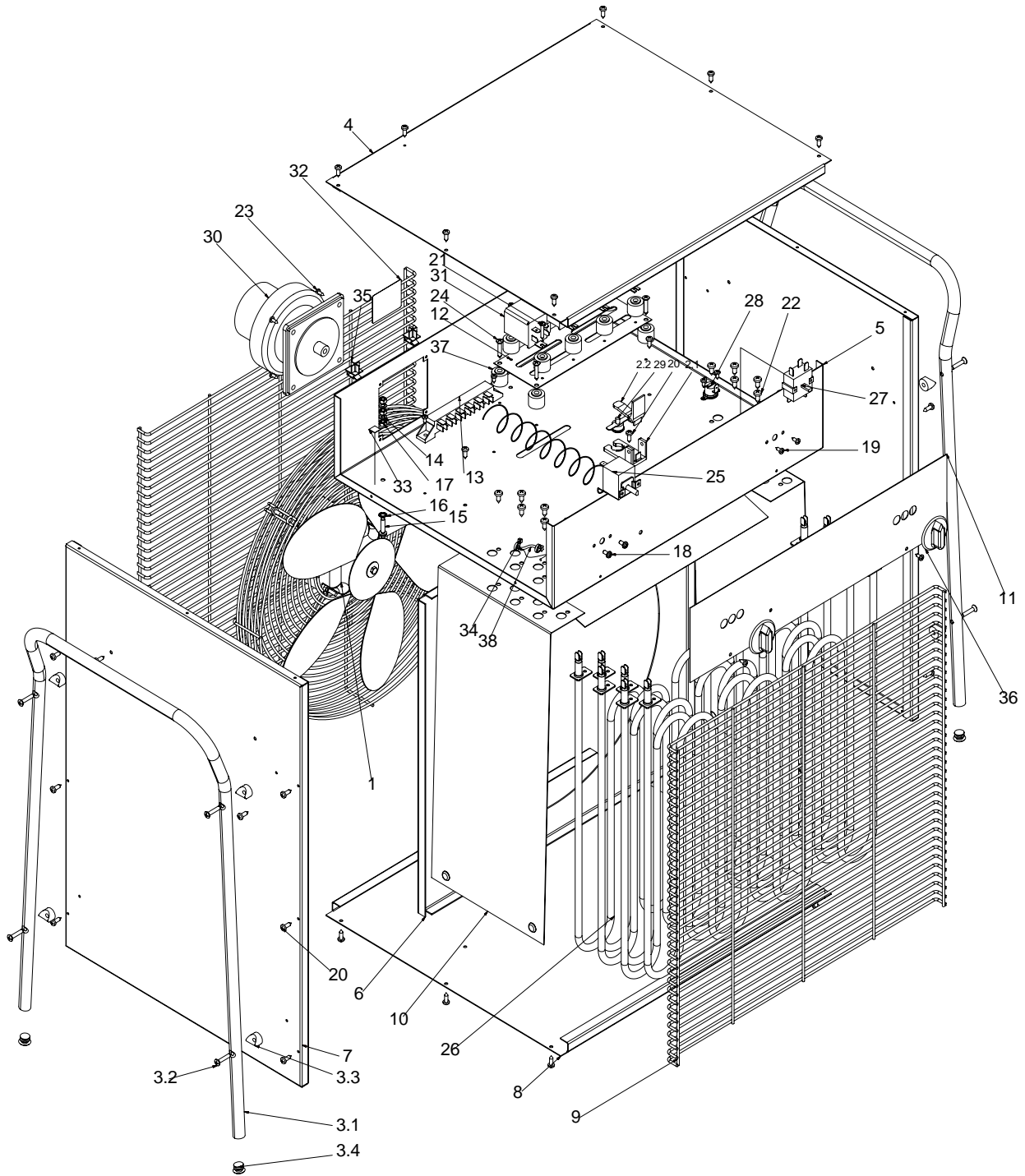
N/A = Parts Not Available



MASTER ELECTRIC HEATERS B 15 EPA 15kW

Pos.	Description	Code NR	Qty.
1.1	SCREW M5x14	4510.825	1
1.2	NUT M4	4510.808	4
1.3	OPEN FAN GUARD	4510.166	1
1.4	MOTOR 25W/230V	4510.304	1
1.5	FAN	4510.314	1
1.6	WASHER 5,3 20mm	4510.824	1
1.7	SCREW M4x60	4510.833	4
2.1	BASE FOR RESET LEVER	4510.611	1
2.2	RESET LEVER	4510.612	1
3.1	PIPE HANDLE	4510.170	2
3.2	TAP SCREW ST3,9x25	4510.817	8
3.3	PLASTIC DISTANCE 15mm	4510.603	8
3.4	PIPE CAP 12mm	4510.604	4
4	SIDE COVER	4510.157	2
5	TOP COVER	4510.145	1
6	SHELF	4510.149	1
7	ROUND COVER	4510.153	1
8	DOWN COVER	4510.161	1
9	GRILL	4510.164	2
10	HEAT SHIELD	4510.168	1
11	NAME PLATE	4510.173	1
12	SCREW TERMINAL	4510.414	1
13	WASHER A4	4510.810	2
14	WASHER A4,3	4510.811	1
15	NUT M4	4510.808	3
16	TAP SCREW M4x8	4510.814	2
17	TAP SCREW M4x16	4510.828	1
18	TAP SCREW ST3,5x9,5	4510.801	2
19	TAP SCREW ST3,9x13	4510.818	12
20	TAP SCREW ST4,8x13	4510.821	16
21	TAP SCREW ST3,9x9,5	4510.802	27
22	SWITCH	4510.401	1
23	CAPILAR THERMOSTAT	4510.416	1
24	HEATING ELEMENT 2500W	4510.355	6
25	RELAY	4510.402	2
26	OVERHEAT SENSOR	4510.404	1
27	TEMP LIMITER	4510.405	1
28	PLUG	4510.418	1
29	DATA PLATE	N/A	1
30	LABEL GROUND WIRE	4510.536	1
31	BELT	4510.608	3
32	CAPILAR SUPPORT	4510.609	2
33	KNOB	4510.610	2
34	WIRE 1.5 BLUE 0.08	4510.900	4
34	WIRE 1.5 BROWN 0.08	4510.901	1
34	WIRE 1.5 BLUE 0.10	4510.902	1
34	WIRE 1.5 BROWN 0.10	4510.903	1
34	WIRE 1.5 BROWN 0.12	4510.906	1
34	WIRE 1.5 BROWN 0.16	4510.912	1
34	WIRE 1.5 BROWN 0.16	4510.914	2
34	WIRE 1.5 BROWN 0.18	4510.915	4
34	WIRE 1.5 BROWN 0.20	4510.916	1
34	WIRE 1.5 BROWN 0.20	4510.917	1
34	WIRE 1.5 BROWN 0.22	4510.920	1
34	WIRE 1.5 BROWN 0.23	4510.923	1
34	WIRE 1.5 BROWN 0.23	4510.924	1
34	WIRE 1.5 BLUE 0.25	4510.929	1
34	WIRE 1.5 BLUE 0.28	4510.930	1
34	WIRE 1.5 BROWN 0.31	4510.931	1
34	WIRE 1.5 BLUE 0.31	4510.932	1
34	WIRE 4 BROWN 0.24	4510.939	3
34	WIRE 4 BLUE 0.24	4510.943	1
34	WIRE 4 YELLOW 0.30	4510.944	1

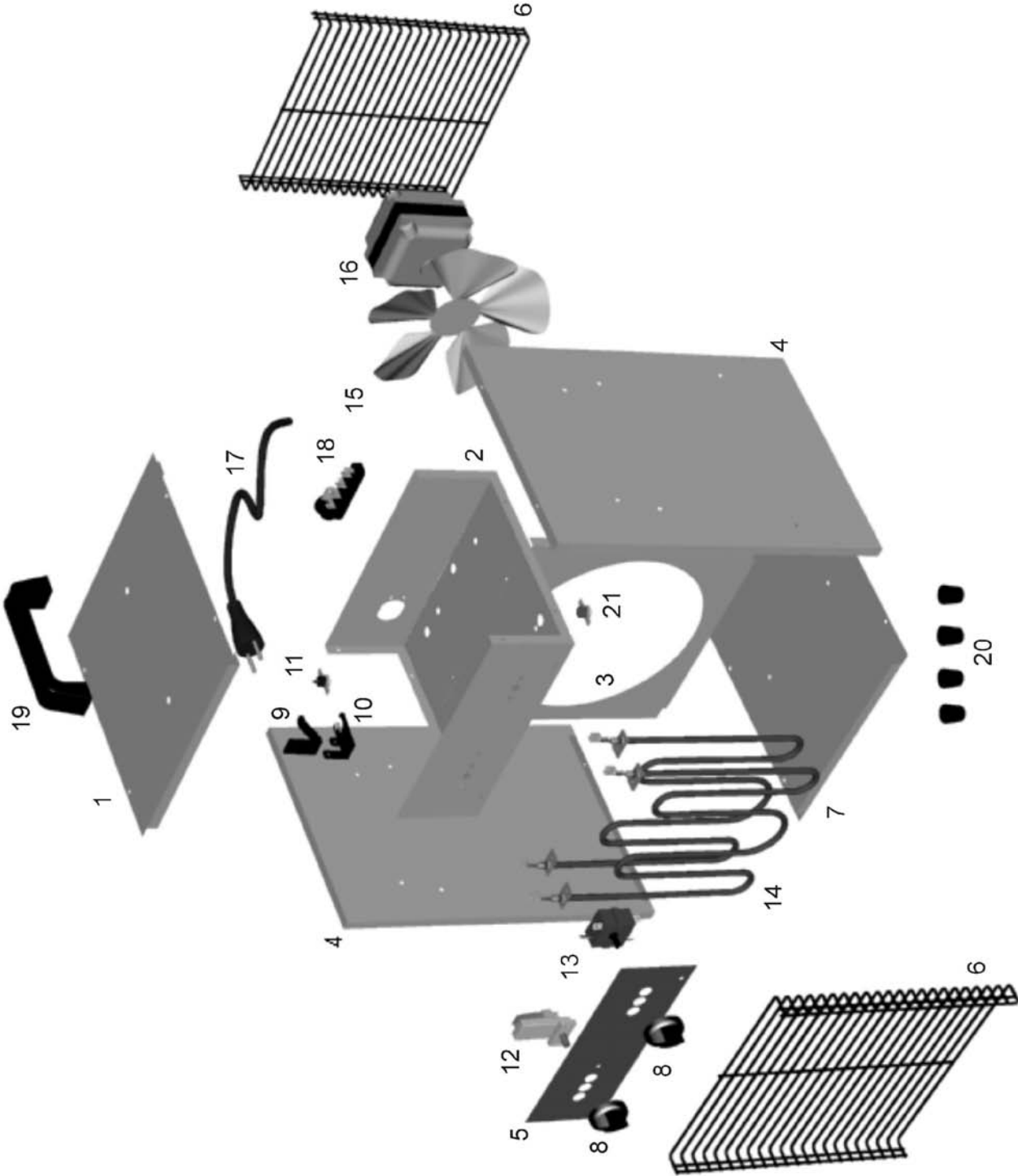
N/A = Parts Not Available



MASTER ELECTRIC HEATERS B 22 EPA 22kW

Pos.	Description	Code NR	Qty.
1	KIT MOTOR 93W/230V + FAN + OPEN FAN GUARD	4510.305	1
2.1	BASE FOR RESET LEVER	4510.611	1
2.2	RESET LEVER	4510.612	1
3.1	PIPE HANDLE	4510.171	2
3.2	TAP SCREW ST3,9x25	4510.817	8
3.3	PLASTIC DISTANCE 15mm	4510.603	8
3.4	PIPE CAP 12mm	4510.604	4
4	TOP COVER	4510.147	1
5	SHELF	4510.151	1
6	ROUND COVER	4510.155	1
7	SIDE COVER	4510.159	2
8	DOWN COVER	4510.163	1
9	GRILL	4510.165	2
10	HEAT SHIELD	4510.169	1
11	NAME PLATE	4510.175	1
12	SUPPORT PLATE FOR RELAYS	4510.176	1
13	SCREW TERMINAL	4510.414	1
14	WASHER A5	4510.813	2
15	TAP SCREW M5x20	4510.834	1
16	WASHER A5,3	4510.833	1
17	NUT M5	4510.809	3
18	TAP SCREW M4x8	4510.814	2
19	TAP SCREW ST3,5x9,5	4510.801	2
20	TAP SCREW ST3,9x13	4510.818	34
21	TAP SCREW ST3,5x22	4510.827	8
22	TAP SCREW ST4,8x13	4510.832	16
23	TAP SCREW ST3,9x9,5	4510.802	30
24	TAP SCREW ST3,9x25	4510.817	4
25	CAPILAR THERMOSTAT	4510.416	1
26	HEATING ELEMENT 3666W	4510.356	6
27	SWITCH	4510.401	1
28	OVERHEAT SENSOR	4510.404	1
29	TEMP LIMITER	4510.405	1
30	PLUG	4510.412	1
31	RELAY	4510.417	4
32	DATA PLATE	N/A	1
33	LABEL GROUND WIRE	4510.536	1
34	BELT	4510.608	2
35	CAPILAR SUPPORT	4510.609	2
36	KNOB	4510.610	2
37	DISTANS	4510.613	12
38	WIRE 1.5 BROWN 0.11	4510.904	1
38	WIRE 1.5 BLUE 0.11	4510.905	1
38	WIRE 1.5 BLUE 0.12	4510.907	2
38	WIRE 1.5 BLUE 0.12	4510.908	2
38	WIRE 1.5 BROWN 0.12	4510.909	3
38	WIRE 1.5 BROWN 0.12	4510.910	1
38	WIRE 1.5 BROWN 0.16	4510.914	1
38	WIRE 6 YELLOW 0.33	4510.921	1
38	WIRE 1.5 BROWN 0.33	4510.933	2
38	WIRE 1.5 BLUE 0.39	4510.935	1
38	WIRE 1.5 BLUE 0.40	4510.936	1
38	WIRE 4 BROWN 0.32	4510.940	6
38	WIRE 4 BROWN 0.42	4510.941	4
38	WIRE 4 BLUE.0.10	4510.942	4
38	WIRE 6 BLUE.0.20	4510.945	1
38	WIRE 6 BROWN 0.20	4510.946	3

N/A = Parts Not Available



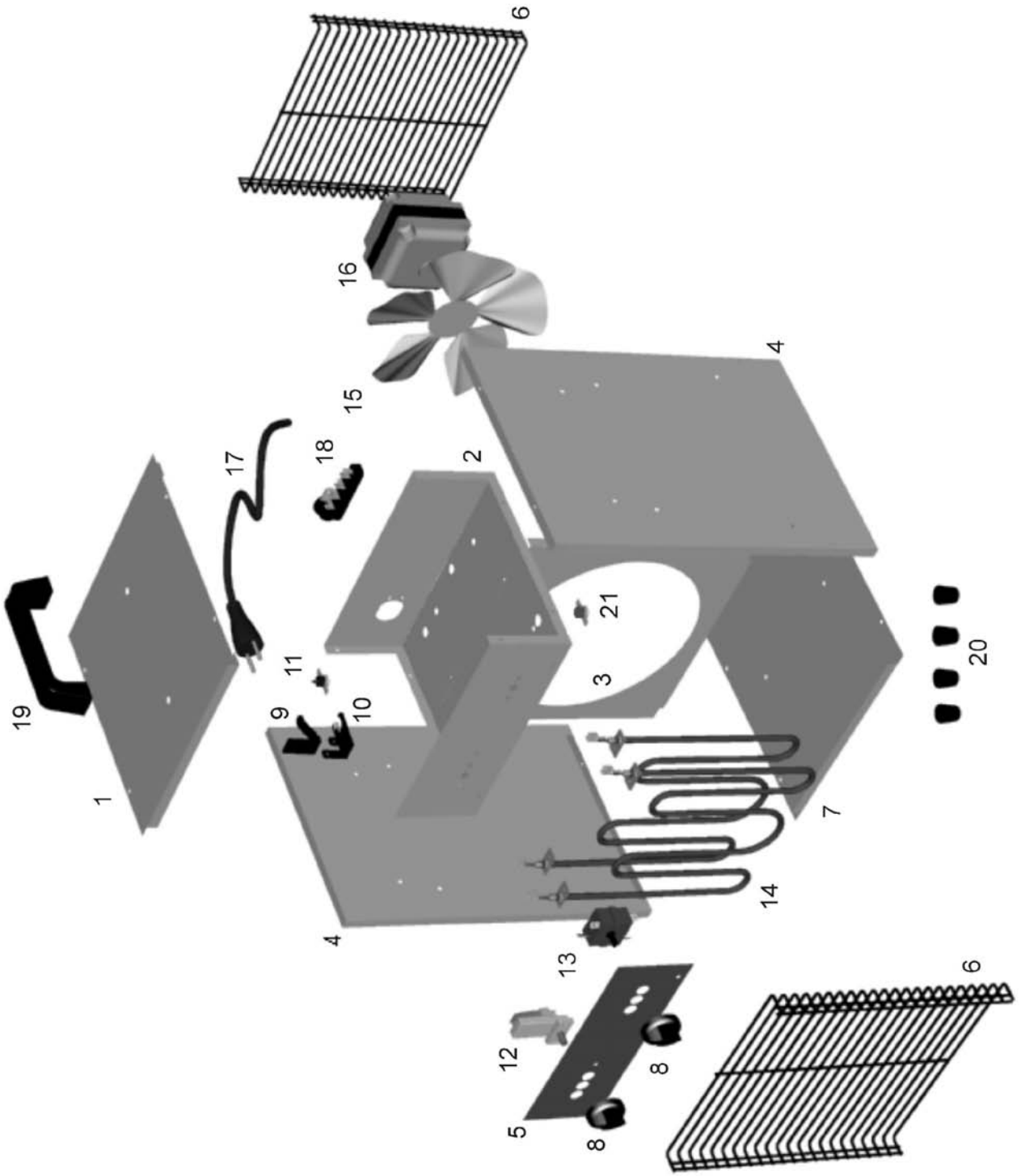
MASTER ELECTRIC HEATERS B 2 IT

Pos.	Description	Code NR
1	TOP COVER	4165.000
2	CONTROL BASE	4165.001
3	DEFLECTOR	4165.002
4	SIDE PANELS	4165.003
5	FRONT PANEL	4165.004
6	GRILL	4165.005
7	BOTTOM PANEL	4165.006
8	KNOB	4165.007
9	RESET LEVER	4165.008
10	TEMP LIMITER SUPPORT	4165.009
11	TEMP LIMITER	4165.010
12	THERMOSTAT	4165.011
13	SWITCH	4165.012
14	ELEMENT	4165.013
15	FAN	4165.014
16	ELECTRIC MOTOR	4161.331
17	POWER CORD	4165.016
18	CABLE RELIEF	4165.017
19	HANDLE	4160.715
20	SUPPORT	4165.019
21	OVERHEAT SENSOR	4165.020

MASTER ELECTRIC HEATERS

MODEL B 3 IT

ILLUSTRATED PARTS BREAKDOWN



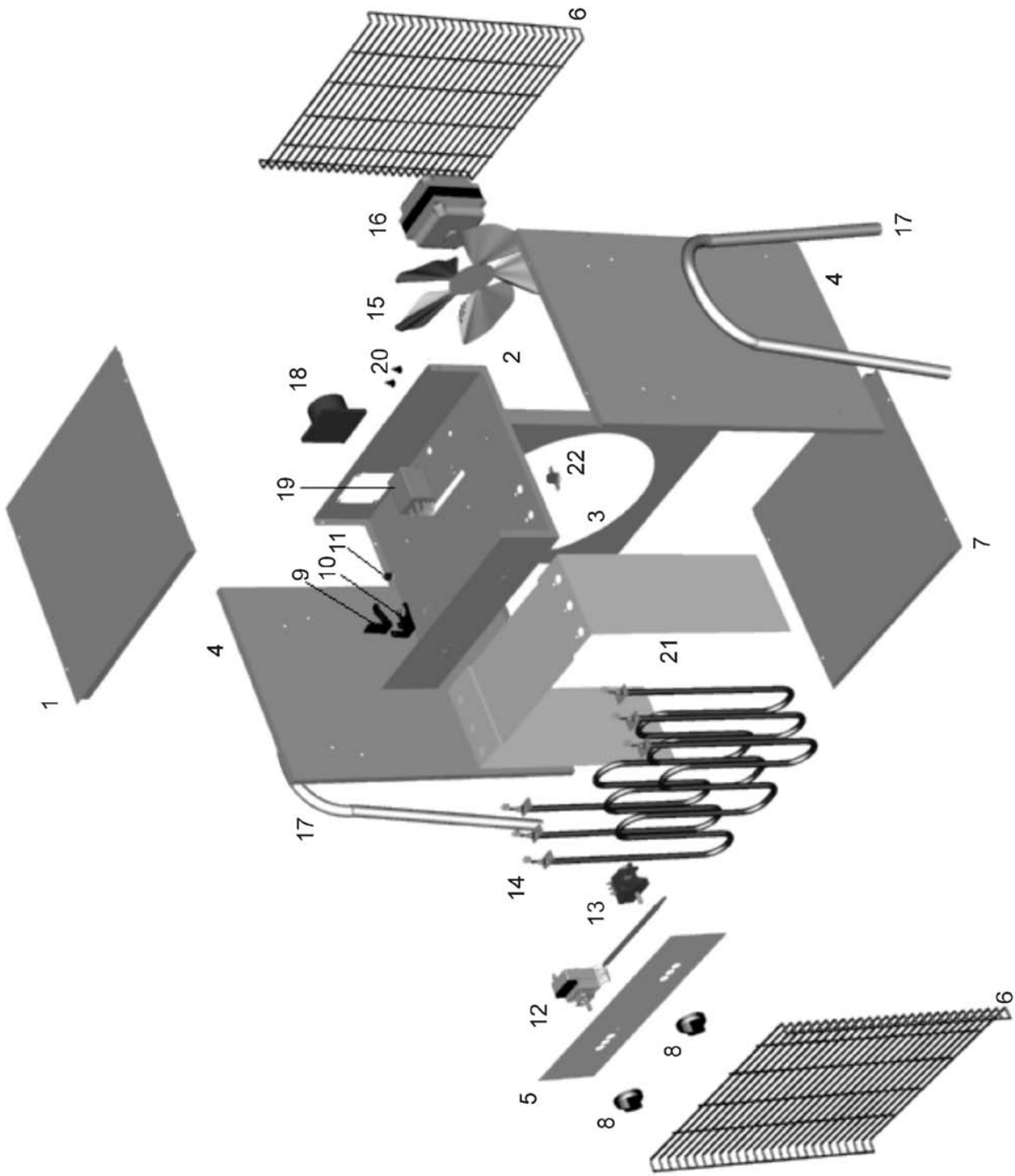
MASTER ELECTRIC HEATERS B 3 IT

Pos.	Description	Code NR
1	COVER	4165.000
2	CONTROL BASE	4165.001
3	DEFLECTOR	4165.002
4	SIDE PANELS	4165.003
5	FRONT PANEL	4165.021
6	GRILL	4165.005
7	BOTTOM PANEL	4165.006
8	KNOB	4165.007
9	RESET LEVER	4165.008
10	TEMP LIMITER SUPPORT	4165.009
11	TEMP LIMITER	4165.022
12	THERMOSTAT	4165.011
13	SWITCH	4165.012
14	ELEMENT	4165.023
15	FAN	4165.014
16	ELECTRIC MOTOR	4161.331
17	POWER CORD	4165.024
18	CABLE RELIEF	4165.017
19	HANDLE	4160.715
20	SUPPORT	4165.019
21	OVERHEAT SENSOR	4165.020

MASTER ELECTRIC HEATERS

MODEL B 5 IT

ILLUSTRATED PARTS BREAKDOWN



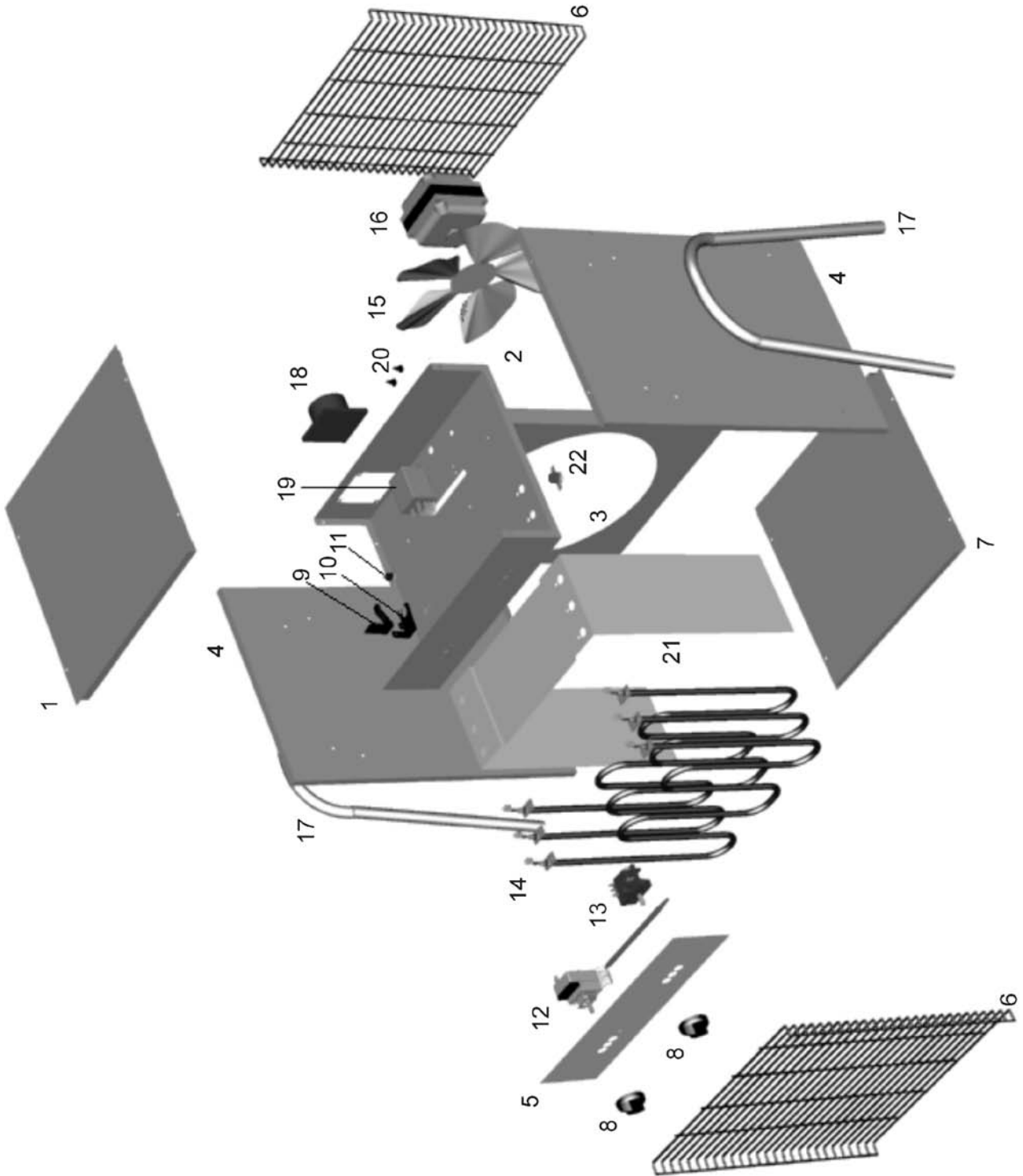
MASTER ELECTRIC HEATERS B 5 IT

Pos.	Description	Code NR
1	TOP COVER	4165.025
2	CONTROL BASE	4165.026
3	DEFLECTOR	4165.002
4	SIDE PANELS	4165.027
5	FRONT PANEL	4165.028
6	GRILL	4165.005
7	BOTTOM PANEL	4165.006
8	KNOB	4165.007
9	RESET LEVER	4165.008
10	TEMP LIMITER SUPPORT	4165.009
11	TEMP LIMITER	4165.010
12	THERMOSTAT	4165.029
13	SWITCH	4165.030
14	ELEMENT	4165.031
15	FAN	4165.014
16	ELECTRIC MOTOR	4165.032
17	HANDLE	4165.033
18	PLUG	4160.102
19	RELAY	4165.035
20	RUBBER SUPPORT	4165.036
21	SEPARATOR	4165.037
22	OVERHEAT SENSOR	4165.020

MASTER ELECTRIC HEATERS

MODEL B 9 IT

ILLUSTRATED PARTS BREAKDOWN



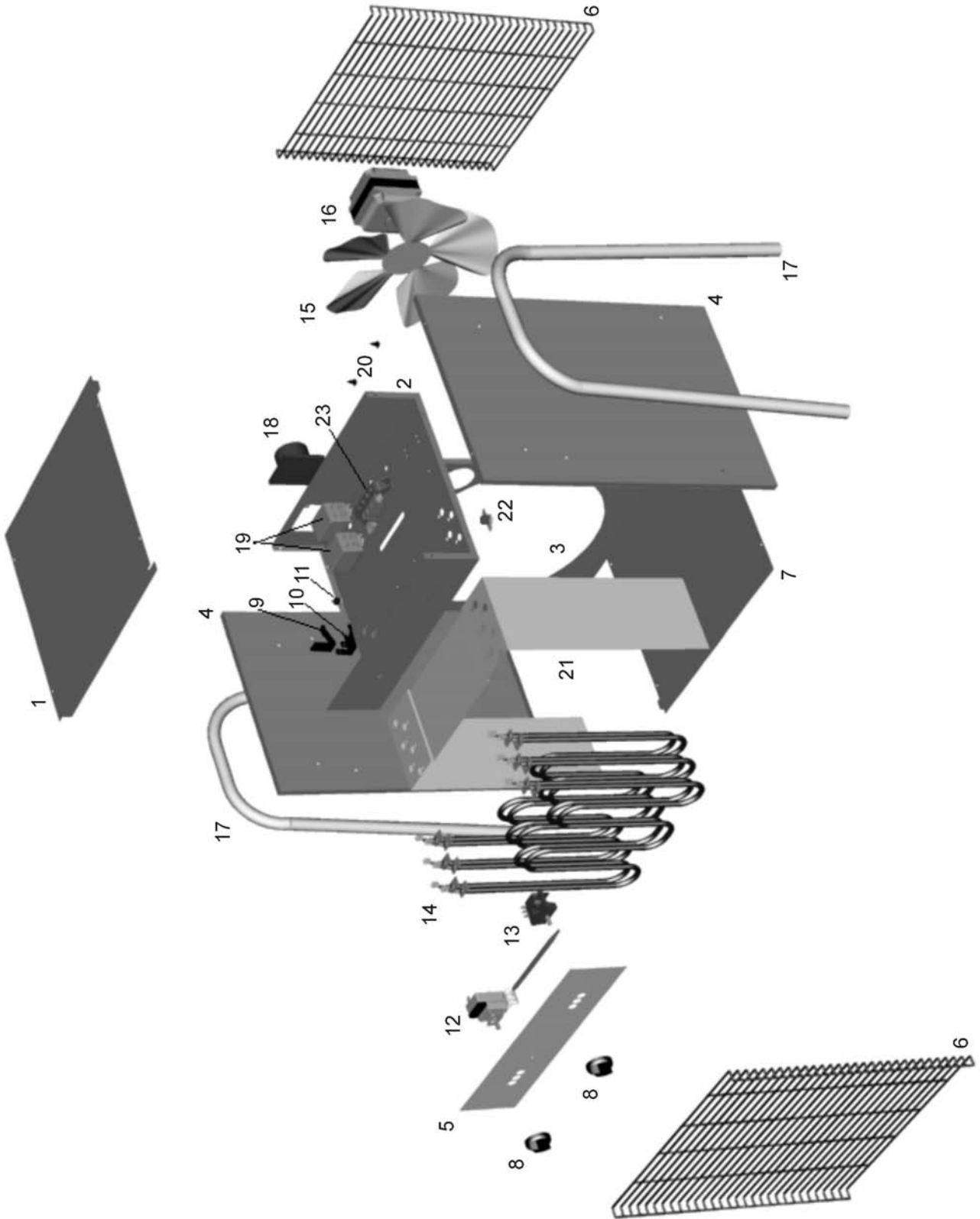
MASTER ELECTRIC HEATERS B 9 IT

Pos.	Description	Code NR
1	TOP COVER	4165.038
2	CONTROL BASE	4165.039
3	DEFLECTOR	4165.040
4	SIDE PANELS	4165.041
5	FRONT PANEL	4165.042
6	GRILL	4165.043
7	BOTTOM PANEL	4165.044
8	KNOB	4165.007
9	RESET LEVER	4165.008
10	TEMP LIMITER SUPPORT	4165.009
11	TEMP LIMITER	4165.010
12	THERMOSTAT	4165.029
13	SWITCH	4165.030
14	ELEMENT	4165.045
15	FAN	4165.046
16	ELECTRIC MOTOR	4165.047
17	HANDLE	4165.048
18	PLUG	4160.102
19	RELAY	4165.035
20	RUBBER SUPPORT	4165.036
21	SEPARATOR	4165.049
22	OVERHEAT SENSOR	4165.020

MASTER ELECTRIC HEATERS

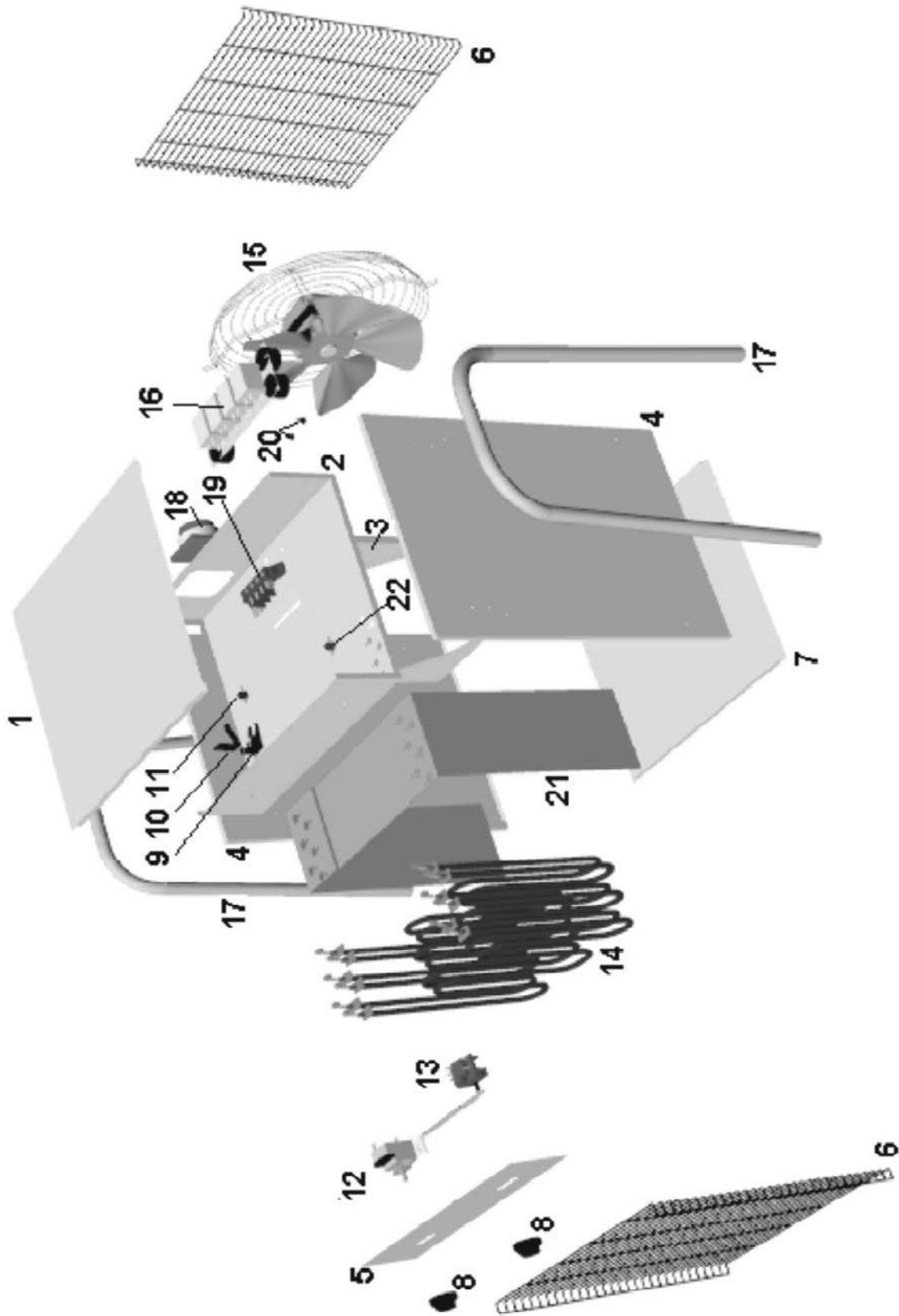
MODEL B 15 IT

ILLUSTRATED PARTS BREAKDOWN



MASTER ELECTRIC HEATERS B 15 IT

Pos.	Description	Code NR
1	TOP COVER	4165.050
2	CONTROL BASE	4165.051
3	DEFLECTOR	4165.052
4	SIDE PANELS	4165.053
5	FRONT PANEL	4165.054
6	GRILL	4165.055
7	BOTTOM PANEL	4165.056
8	KNOB	4165.007
9	RESET LEVER	4165.008
10	TEMP LIMITER SUPPORT	4165.009
11	TEMP LIMITER	4165.010
12	THERMOSTAT	4165.029
13	SWITCH	4165.030
14	ELEMENT	4165.057
15	FAN	4165.058
16	ELECTRIC MOTOR	4165.059
17	HANDLE	4165.060
18	PLUG	4160.103
19	RELAY	4165.035
20	RUBBER SUPPORT	4165.036
21	SEPARATOR	4165.061
22	OVERHEAT SENSOR	4165.020
23	TERMINAL BOARD	4165.062



MASTER ELECTRIC HEATERS B 22 IT

Pos.	Description	Code NR
1	TOP COVER	4165.178
2	CONTROL BASE	4165.179
3	DEFLECTOR	4165.180
4	SIDE PANELS	4165.181
5	FRONT PANEL	4165.182
6	GRILL	4165.183
7	BOTTOM PANEL	4165.184
8	KNOB	4165.007
9	TEMP LIMITER SUPPORT	4165.009
10	RESET LEVER	4165.008
11	TEMP LIMITER	4165.185
12	THERMOSTAT	4165.029
13	SWITCH	4165.030
14	ELEMENT	4165.186
15	ELECTRIC MIOTOR	4165.187
16	RELAY	4165.188
17	HANDLE	4165.189
18	PLUG	4165.190
19	TERMINAL BOARD	4165.191
20	RUBBER SUPPORT	4165.036
21	SEPARATOR	4165.192
22	OVERHEAT SENSOR	4165.020

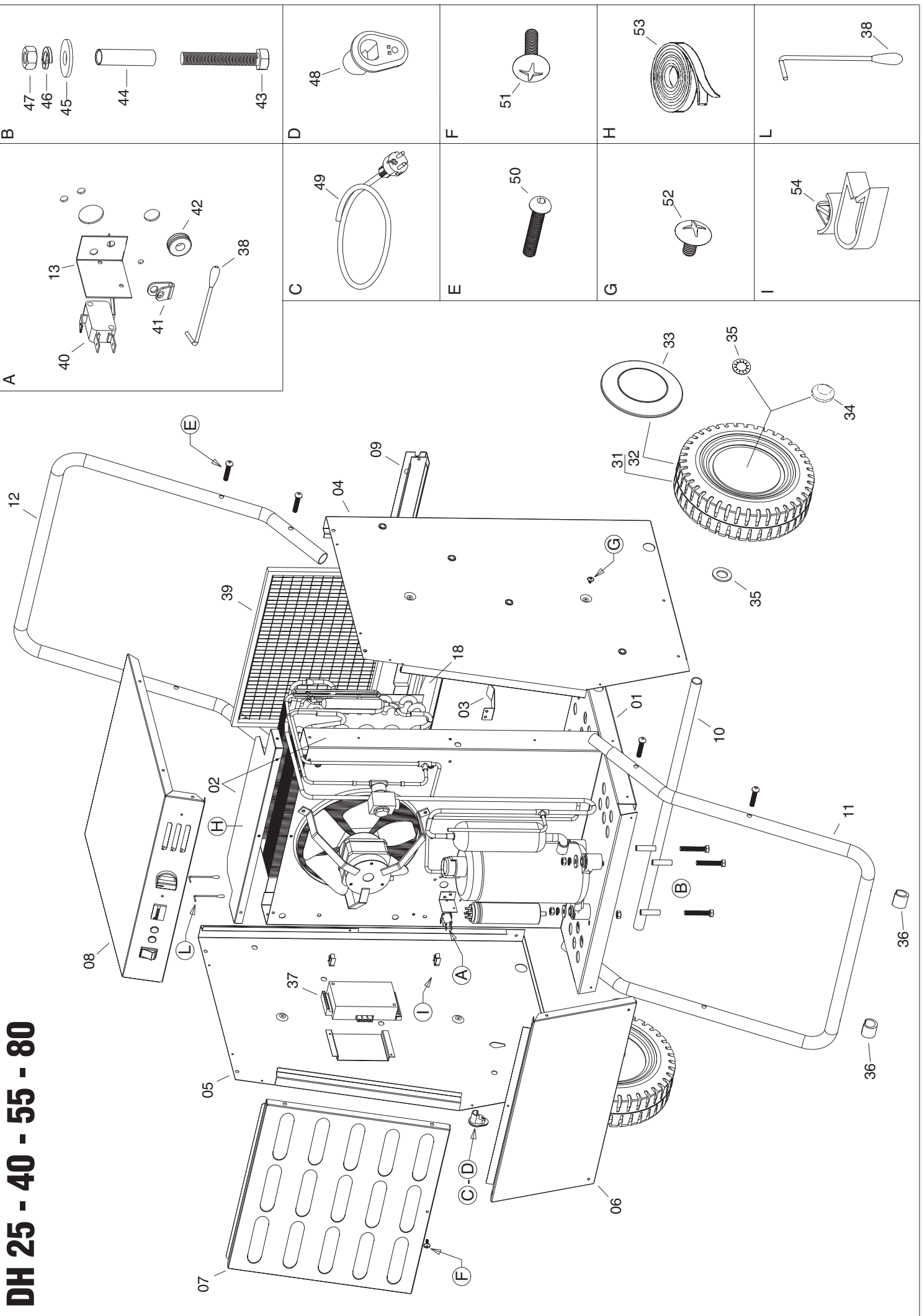
Dehumidifiers

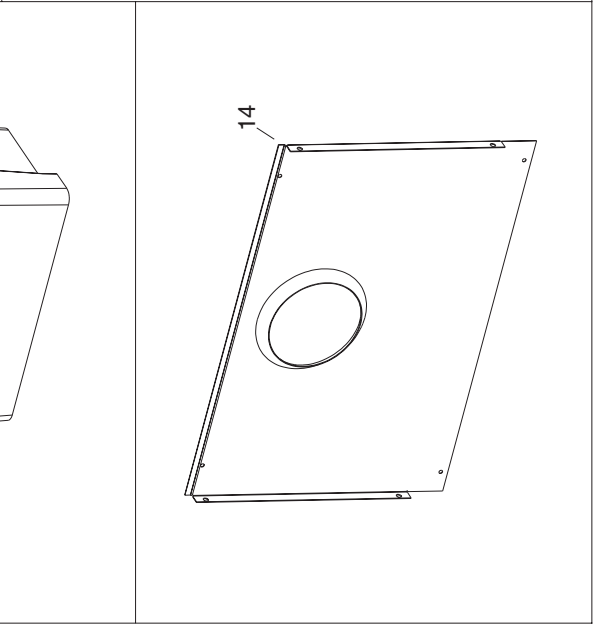
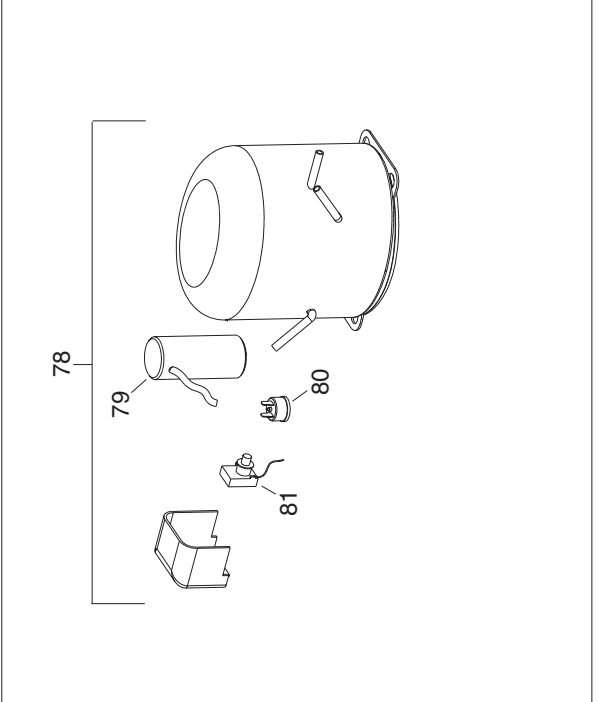
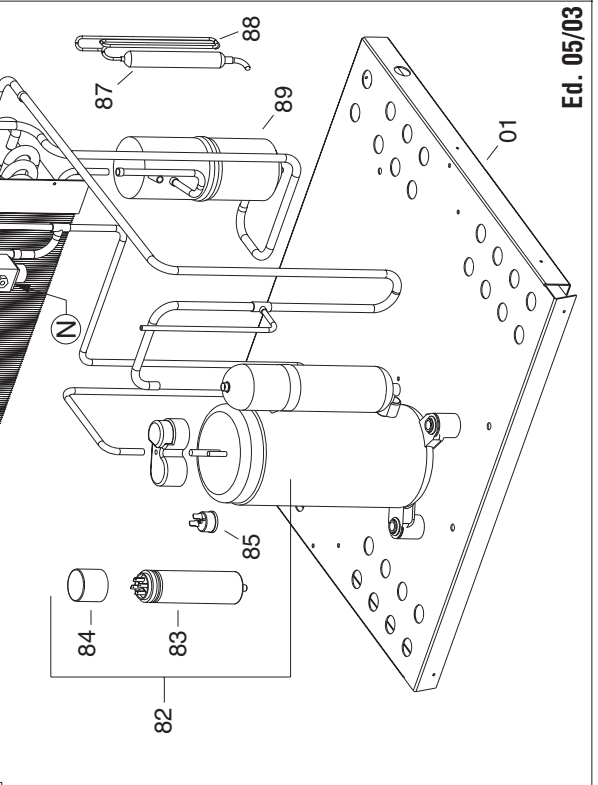
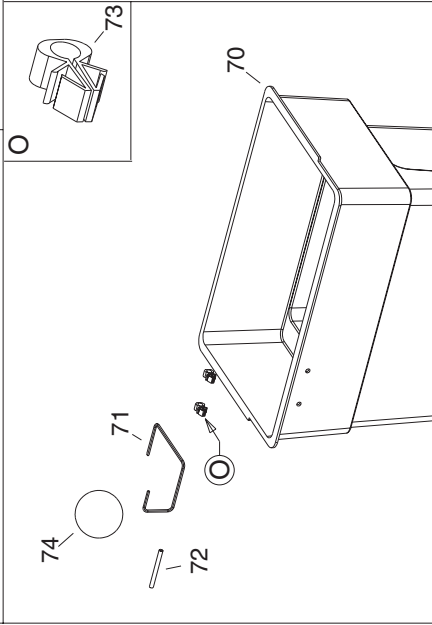
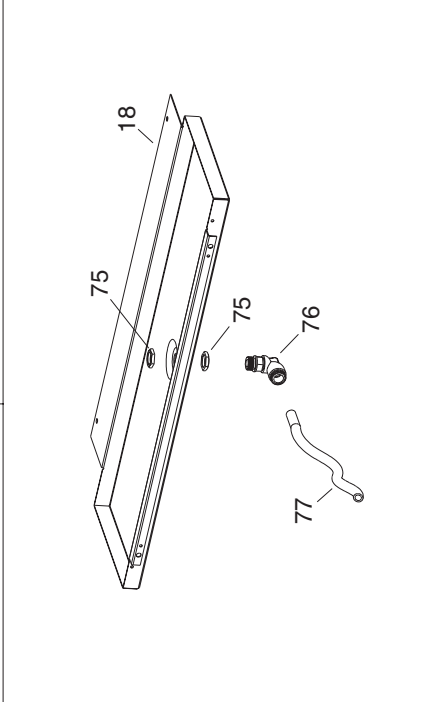
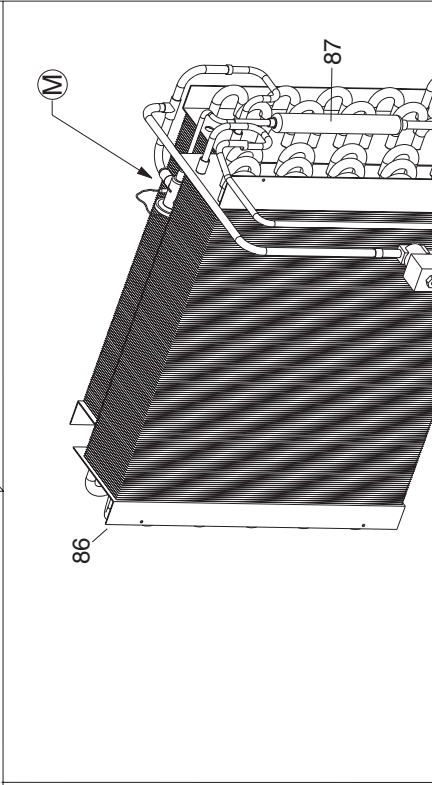
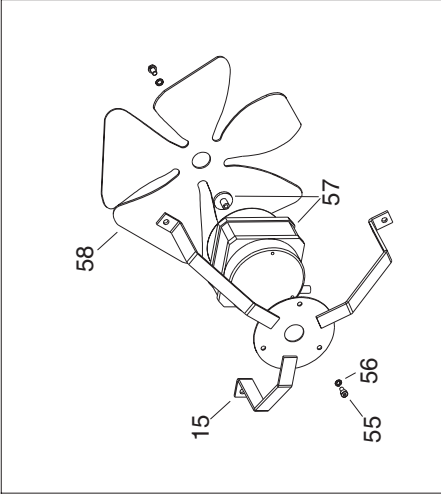
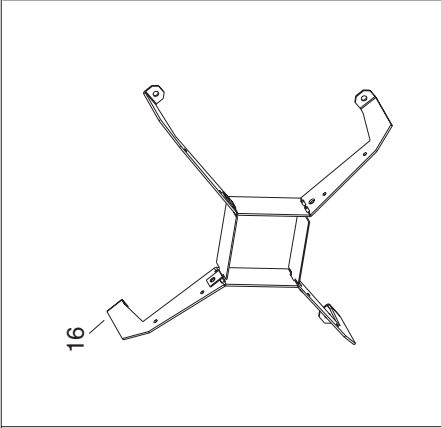
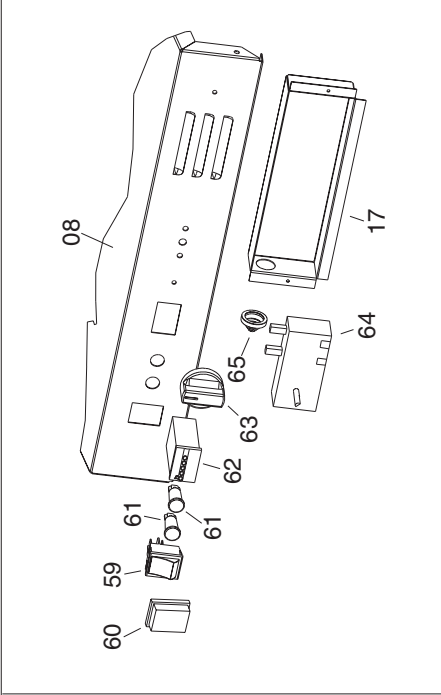
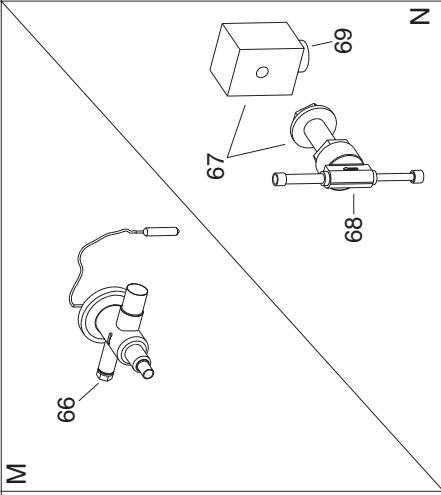


Models

DH 25 / DH 40 / DH 55 / DH 80

DH 25 - 40 - 55 - 80





DEHUMIDIFIERS

MODEL DH 25 / 40 / 55 / 80

PARTS LIST

Key No.	Part number	Description	DH 25	DH 40	DH 55	DH 80
1	4140.600	Bottom plate	X			
1	4140.601	Bottom plate		X	X	
1	4140.602	Bottom plate				X
2	4140.603	Capacitor support	X			
2	4140.604	Capacitor support		X		
2	4140.605	Capacitor support			X	
2	4140.606	Capacitor support				X
3	4140.607	Switch cover	X	X	X	
4	4140.608	Right cover plate	X			
4	4140.609	Right cover plate		X		
4	4140.610	Right cover plate			X	
4	4140.611	Right cover plate				X
5	4140.612	Left cover plate	X			
5	4140.613	Left cover plate		X		
5	4140.614	Left cover plate			X	
5	4140.615	Left cover plate				X
6	4140.616	Bottom front panel	X			
6	4140.617	Bottom front panel		X	X	
6	4140.618	Bottom front panel				X
7	4140.619	Grille	X			
7	4140.620	Grille		X		
7	4140.621	Grille			X	
7	4140.622	Grille				X
8	4140.623	Upper panel	X			
8	4140.624	Upper panel		X		
8	4140.625	Upper panel			X	
8	4140.626	Upper panel				X
9	4140.627	Drip tray support	X			
9	4140.628	Drip tray support		X	X	
10	4140.629	Wheel axle	X			
10	4140.630	Wheel axle		X	X	
10	4140.631	Wheel axle				X
11	4140.632	Foot	X			
11	4140.633	Foot		X	X	
11	4140.634	Foot				X
12	4140.635	Handle	X			
12	4140.636	Handle		X	X	
12	4140.637	Handle				X
13	4140.638	Switch support	X	X	X	
14	4140.639	Rear panel				X
15	4140.640	Motor flange	X			
15	4140.641	Motor flange		X		
16	4140.642	Motor flange			X	
16	4140.643	Motor flange				X
17	4140.644	Hygrostat cover	X	X	X	X
18	4140.645	Drip tray	X			
18	4140.646	Drip tray		X	X	
18	4140.647	Drip tray				X
31	4140.648	Wheel R210-20	X			
32	4140.649	Wheel R264-20		X	X	X
33	4140.650	Black plastic tap		X	X	X
34	4140.651	Spring washer R20	X			
34	4140.652	Spring washer R21		X	X	X
35	4140.653	Washer R21	X	X	X	X
36	4140.654	Foot protection	X	X	X	X
37	4140.655	Control box	X	X	X	X
38	4140.656	Probe	X	X	X	X
39	4140.657	Filter 295 x 306	X			
39	4140.658	Filter 270 x 404		X		
39	4140.659	Filter 344 x 404			X	
39	4140.660	Filter 465 x 528				X
40	4140.661	Switch	X	X	X	
41	4140.662	Clips and clamps	X	X	X	X
42	4140.663	Cable protection R10	X	X	X	X
43	4140.664	Screw TE M8x50	X			
43	4140.665	Screw TE M6x30		X	X	X
44	4140.666	Sleeve		X	X	X
45	4140.667	Washer R6xR24x2	X			
45	4140.668	Washer R8xR24x2		X	X	X
46	4140.669	Spring washer R8		X	X	X
47	4140.670	Nut M6	X			
47	4140.671	Nut M8		X	X	X
48	4140.672	Cable fastener	X	X	X	X
49	4140.673	Electrical cable 3x1 with plug	X	X	X	X
50	4140.674	Screw TBE1 M8x40 Zn.B.	X	X	X	X
51	4140.675	Screw 8x1	X	X	X	X

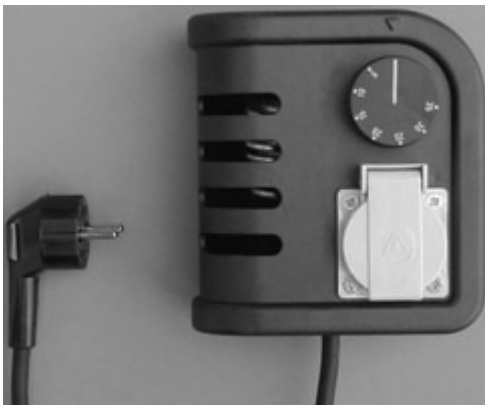
DEHUMIDIFIERS

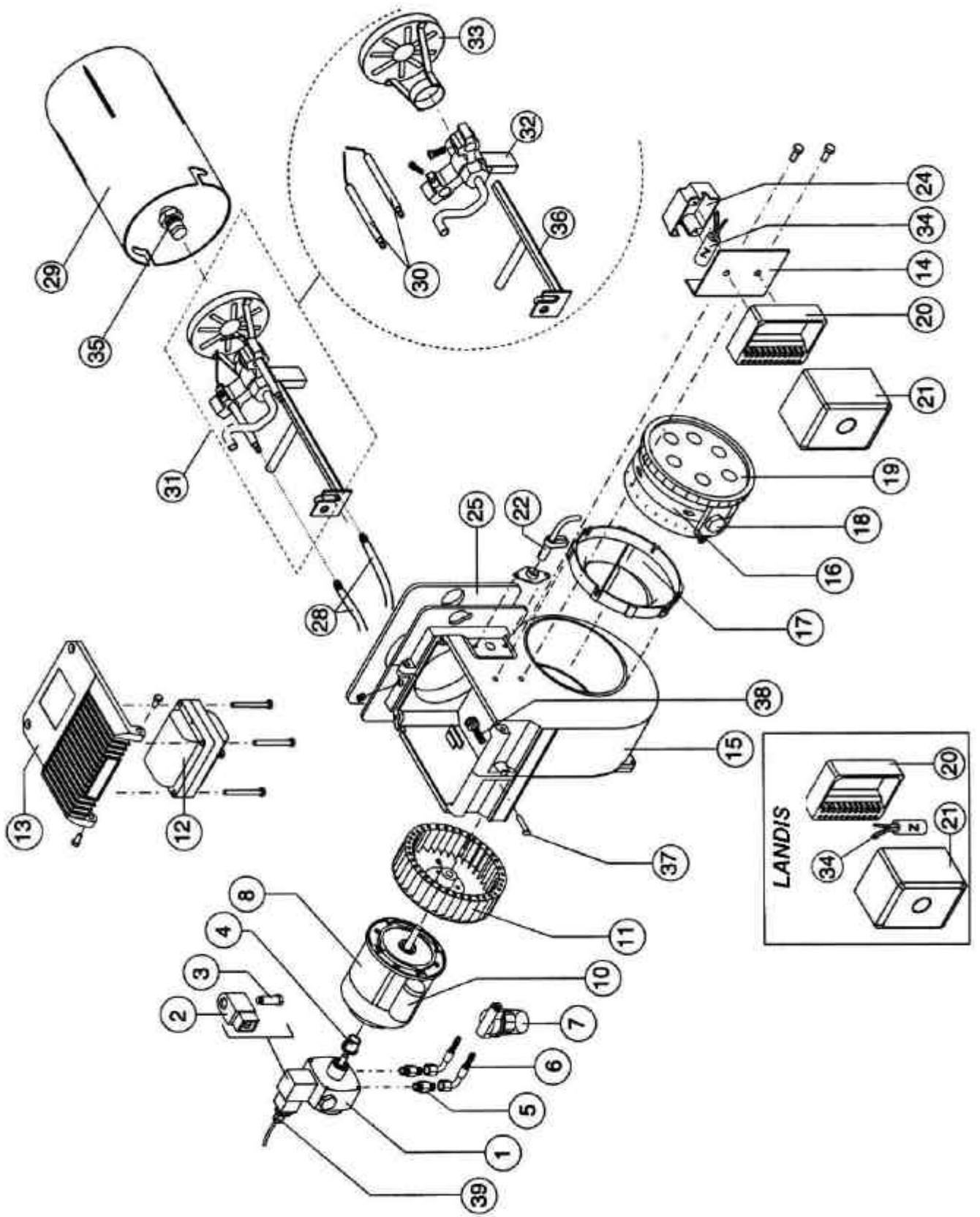
MODEL DH 25 / 40 / 55 / 80

PARTS LIST

Key No.	Part number	Description	DH 25	DH 40	DH 55	DH 80
52	4140.676	Screw TC 8x3/8"	X	X	X	X
53	4140.677	Adesive profile 3x20	X	X	X	X
53	4140.678	Adesive profile 20x20	X	X	X	X
54	4140.679	Clip	X	X	X	X
55	4140.680	Screw TCEI M4x8	X	X		
56	4140.681	Washer R4	X	X	X	X
57	4140.682	Fan motor 82E-4025			X	
57	4140.683	Fan motor 4Y0A5				X
57	4140.684	Fan motor 82-1305	X			
57	4140.685	Fan motor 82-3016		X		
58	4140.686	Fan R230 25	X			
58	4140.687	Fan R230 28		X		
58	4140.688	Fan R300 28			X	
58	4140.689	Fan R350 19				X
59	4140.690	Switch 1/0	X	X	X	X
60	4140.691	Switch cover	X	X	X	X
61	4140.692	Red lamp V230-50 R12	X	X	X	X
62	4140.693	Hour-counter	X	X	X	X
63	4140.694	Black plastic knob	X	X	X	X
64	4140.695	Hygrostat	X	X	X	X
65	4140.696	Cable protection R18	X	X	X	X
66	4140.697	Thermostatic valve Danfoss				X
67	4140.698	Solenoid valve Parker	X			
68	4140.699	Solenoid valve Parker (body)				X
68	4140.700	Solenoid valve Parker (body)		X	X	
69	4140.701	Solenoid spool Parker	X	X	X	X
70	4140.702	Water container	X			
70	4140.703	Water container		X	X	
71	4140.704	Float lever	X	X	X	
72	4140.705	Plastic pipe R4xR6x60 mm	X	X	X	
73	4140.706	Float support	X	X	X	
74	4140.707	Float R60	X	X	X	
75	4140.708	Nut 3/8"x4				X
76	4140.709	Connection 90 3/8"M - R12				X
77	4140.710	Rubber tube R8x12				X
78	4140.711	Compressor Aspera	X			
79	4140.712	Capacitor	X			
80	4140.713	Thermostat	X			
81	4140.714	Relay	X			
82	4140.715	Compressor Sanyo		X		
82	4140.716	Compressor Sanyo			X	
82	4140.717	Compressor Sanyo				X
83	4140.718	Capacitor		X	X	X
84	4140.719	Capacitor plastic cover R45		X	X	X
85	4140.720	Thermostat		X		
85	4140.721	Thermostat			X	
85	4140.722	Thermostat				X
86	4140.723	Condenser/Evaporator	X			
86	4140.724	Condenser/Evaporator		X		
86	4140.725	Condenser/Evaporator			X	
86	4140.726	Condenser/Evaporator				X
87	4140.727	FR 50 Dryer				X
87	4140.728	RF 20/2 Dryer	X	X	X	
88	4140.729	Capillary tube R1,24mm L=1,25m	X			
88	4140.730	Capillary tube R1,88mm L=1,3m			X	
88	4140.731	Capillary tube R1,83mm L=1,7m		X		
89	4140.732	Liquid refrigerator recover				X

Accessories



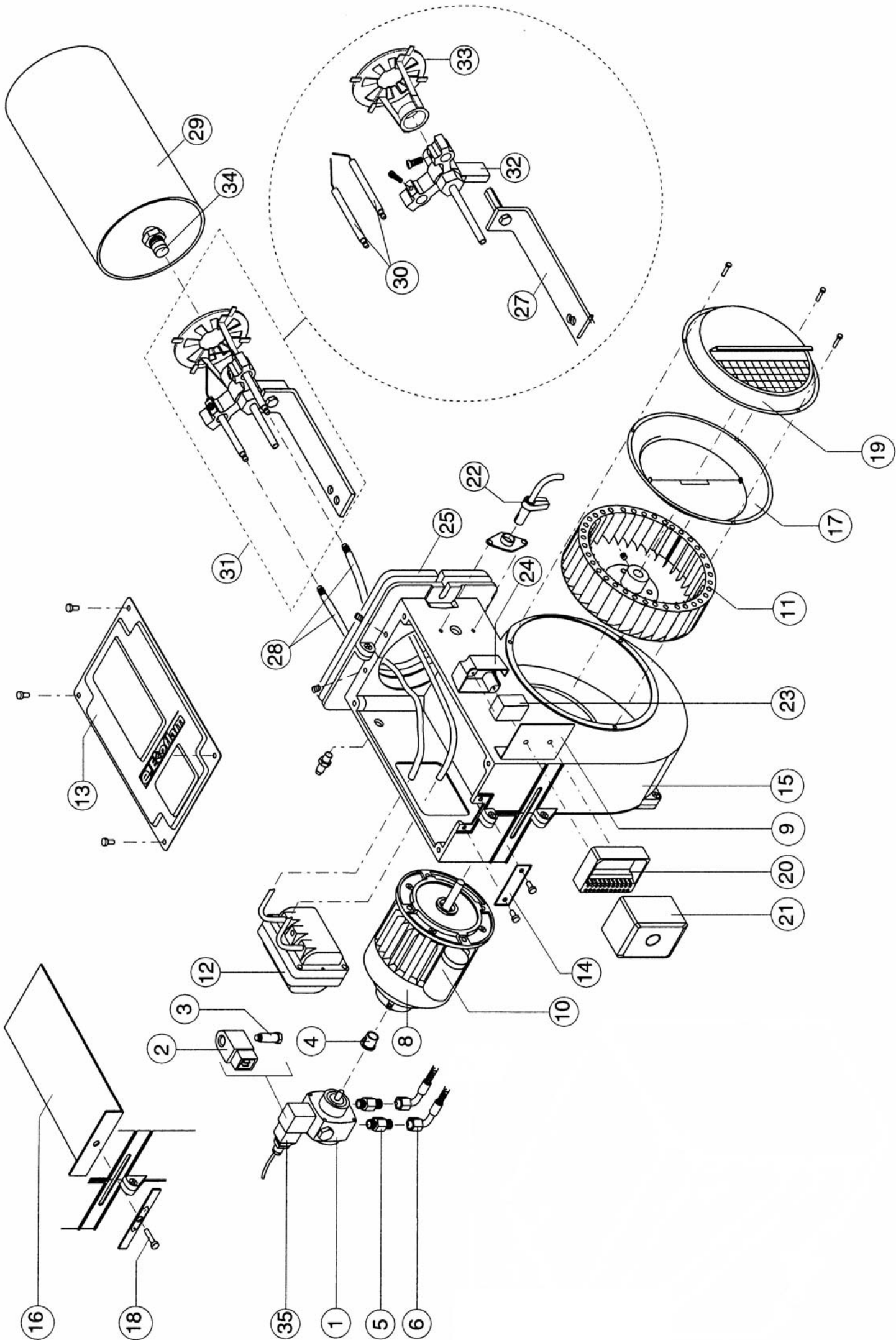


BURNERS – MINOR 4 / MINOR 8 / MINOR 12

Pos.	Code	Description	MINOR 4	MINOR 8	MINOR 12
1	4031.197	Oil pump Danfoss	•	•	•
1.1	4031.094	Oil filter pump	•	•	•
2	4031.019	Coil spool Danfoss	•	•	•
3	4031.195	Oil valve Danfoss	•	•	•
4	4031.003	Coupling	•	•	•
5	4031.234	Nipple	•	•	•
6	S/R	Connection 90 dgr	•	•	
	S/R	Connection 90 dgr			•
7	4031.071	Oil filter	•	•	•
8	4031.233	Motor 100W	•	•	
	4031.254	Motor 130W			•
10	4031.218	Capacitor 4µF	•	•	•
11	4031.209	Fan 124x60	•	•	•
12	4031.098	Ignition transformer	•	•	•
14	S/R	Control box plate	•	•	•
	S/R	Cover aluminium	•	•	
13	4031.754	Cover plastic			•
15	4031.280	Fan housing	•	•	•
16	4031.213	Air dramper	•	•	•
17	4031.232	Air conveyor	•	•	
	S/R	Air conveyor			•
18	S/R	Air dramper screw	•	•	•
	S/R	Cover air inlet	•	•	
19	S/R	Cover air inlet			•
20	4031.010	Control box base	•	•	•
21	4031.005	Control box	•	•	•
22	4031.090	Photoresistor	•	•	•
24	4031.312	Protection box	•	•	•
25	S/R	Gasket	•	•	•
28	4031.200	Cables	•	•	•
	4031.247	Blast tube Ø102	•		
29	4031.217	Blast tube Ø88,9		•	
	S/R	Blast tube Ø88,9			•
30	4031.208	Electrode	•	•	
	4031.338	Electrode cupple			•
	N/A	Firing head Minor 4	•		
31	N/A	Firing head Minor 8		•	
	N/A	Firing head Minor 12			•
	4031.235	Nozzle holder Minor 4	•		
32	4031.236	Nozzle holder Minor 8		•	
	S/R	Nozzle holder Minor 12			•
	4031.226	Diffuser Ø80	•		
33	4031.277	Diffuser Ø74		•	
	S/R	Diffuser Ø70			•
34	4031.238	Rear disc	•		
34	S/R	Antidisturb filter	•	•	•
	4031.032	Nozzle 0,65 GPH 60°S (BF30)	•		
35	4031.034	Nozzle 1,25 GPH 60°S (BF60)		•	
	4031.591	Nozzle 1,75 GPH 60°S (GREEN 70 / BV300)		•	
	4111.134	Nozzle 2,00 GHP 60°S (BG100 / BV360)			•
	4031.239	Rod L=176	•		
36	4031.240	Rod L=192		•	
	4031.259	Rod L=200			•
37	4031.123	Index	•	•	•
38	4031.211	Screw	•	•	•
39	S/R	Cable with connector	•	•	•
	4031.210	Complete oil burner MINOR 4 (BF30)	•		
	4031.220	Complete oil burner MINOR 8 (GREEN 70 / BV300 / BF60)		•	
	4031.281	Complete oil burner MINOR 12 (BG100 / BV360)			•

S/R – Parts available by special request only

N/A – Parts not available



BURNERS – MINOR 20 TC / MINOR 20 TL

Pos.	Code	Description	MINOR 20 TC	MINOR 20 TL
1	4031.197	Oil pump Danfoss	•	•
1.1	4031.094	Oil filter pump	•	•
2	4031.019	Coil spool Danfoss	•	•
3	4031.195	Oil valve Danfoss	•	•
4	4031.329	Coupling	•	•
5	4031.302	Nipple	•	•
6	4031.257	Pipe flex	•	•
7	4031.071	Oil filter	•	•
8	4031.303	Motor 200W	•	•
10	4031.304	Capacitor 6,3 µF x 200W	•	•
11	4031.305	Fan 180x40	•	•
12	4031.035	Ignition transformer	•	•
13	4031.333	Cover	•	•
14	4031.340	Glass	•	•
15	4031.330	Fan housing	•	•
16	4031.307	Air dramper	•	•
17	4031.308	Air conveyor	•	•
	S/R	Air conveyor		•
18	4031.309	Air dramper screw	•	•
19	4031.310	Cover air inlet	•	•
20	4031.016	Control box base	•	•
21	4031.014	Control box	•	•
22	4031.018	Photocell	•	•
23	4031.311	Antidisturb filter	•	•
24	4031.312	Protection box	•	•
25	4031.313	Gasket	•	•
27	4031.341	Firing head adjustment TC	•	•
	S/R	Firing head adjustment TL		•
28	4031.314	Cables TC	•	•
	S/R	Cables TL		•
29	S/R	Blast tube TC	•	•
	4031.315	Blast tube TL		•
30	4031.316	Electrode cupple	•	•
31	N/A	Firing head TC	•	•
	N/A	Firing head TL		•
32	S/R	Nozzle holder TC	•	•
	4031.318	Nozzle holder TL		•
33	4031.319	Diffuser Ø85	•	•
	4031.100	Nozzle 2,50 GPH 60°S (GREEN 115 / BV460)	•	•
34	4031.335	Nozzle 3,50 GPH 60°S (BG150)	•	•
	4031.590	Nozzle 4,00 GPH 60°S (GREEN 200 / BV680 / BG200)		•
35	S/R	Cable	•	•
36	S/R	Housing	•	•
	4031.285	Complete oil burner MINOR 20TC (GREEN 115 / BV460 / BG150)	•	•
	4031.286	Complete oil burner MINOR 20TL (GREEN 200 / BV680 / BG200)		•

S/R – Parts available by special request only

N/A – Parts not available

MASTER ACCESSORIES

Oil burners		
code	description	appropriate
4031.210	Oil burner MINOR 4 TC	BF 30
4031.220	Oil burner MINOR 8 TC	GREEN 70, BF 60, BV 300
4031.281	Oil burner MINOR 12 TC	BG 100, BV 360
4031.285	Oil burner MINOR 20 TC	GREEN 115, BV 460, BG 150
4031.286	Oil burner MINOR 20 TL	GREEN 200, BV 680, BG 200

Exhaust		
code	description	appropriate
4013.263	Exhaust pipe 1m, 120mm	BV 70
4013.243	Exhaust pipe 1m, 150mm	BV 80 / BV 100 / 110 / 160 / 170 / 280 / 290, BVS 170 / 290, BF 30 / 60, GREEN 70
4013.245	Exhaust pipe 1m, 200mm	GREEN 115 / 200, BV 460 / 680
4515.974	Exhaust pipe 0,5m, 120mm	BV 70
4515.975	Exhaust pipe 0,5m, 150mm	BV 80 / BV 100 / 110 / 160 / 170 / 280 / 290, BVS 170 / 290, BF 30 / 60, GREEN 70
4515.976	Exhaust pipe 0,5m, 200mm	GREEN 115 / 200, BV 460 / 680
4013.261	Elbow 87 ⁰ , 120mm	BV 70
4013.247	Elbow 87 ⁰ , 150mm	BV 80 / BV 100 / 110 / 160 / 170 / 280 / 290, BVS 170 / 290, BF 30 / 60, GREEN 70
4013.248	Elbow 87 ⁰ , 200mm	GREEN 115 / 200, BV 460 / 680
4515.977	Adjustable elbow 0-90 ⁰ , 120mm	BV 70
4515.950	Adjustable elbow 0-90 ⁰ , 150mm	BV 80 / BV 100 / 110 / 160 / 170 / 280 / 290, BVS 170 / 290, BF 30 / 60, GREEN 70
4515.951	Adjustable elbow 0-90 ⁰ , 200mm	GREEN 115 / 200, BV 460 / 680
4515.988	Condenser bottom 120mm	BV 70
4515.952	Condenser bottom 150mm	BV 80 / BV 100 / 110 / 160 / 170 / 280 / 290, BVS 170 / 290, BF 30 / 60, GREEN 70
4515.953	Condenser bottom 200mm	GREEN 115 / 200, BV 460 / 680
4515.978	Tee 87 ⁰ , 120mm	BV 70
4515.954	Tee 87 ⁰ , 150mm	BV 80 / BV 100 / 110 / 160 / 170 / 280 / 290, BVS 170 / 290, BF 30 / 60, GREEN 70
4515.955	Tee 87 ⁰ , 200mm	GREEN 115 / 200, BV 460 / 680
4515.979	Roof passage 120mm	BV 70
4515.956	Roof passage 150mm	BV 80 / BV 100 / 110 / 160 / 170 / 280 / 290, BVS 170 / 290, BF 30 / 60, GREEN 70
4515.957	Roof passage 200mm	GREEN 115 / 200, BV 460 / 680
4013.262	Chimney 120mm	BV 70
4013.249	Chimney 150mm	BV 80 / BV 100 / 110 / 160 / 170 / 280 / 290, BVS 170 / 290, BF 30 / 60, GREEN 70
4013.250	Chimney 200mm	GREEN 115 / 200, BV 460 / 680
4515.980	Stalflex 1,5m, 120mm	BV 70
4515.981	Stalflex 6m, 120mm	BV 70
4515.982	Stalflex 9m, 120mm	BV 70
4515.983	Stalflex 12m, 120mm	BV 70
4515.958	Stalflex 1,5m, 150mm	BV 80 / BV 100 / 110 / 160 / 170 / 280 / 290, BVS 170 / 290, BF 30 / 60, GREEN 70
4515.959	Stalflex 6m, 150mm	BV 80 / BV 100 / 110 / 160 / 170 / 280 / 290, BVS 170 / 290, BF 30 / 60, GREEN 70
4515.960	Stalflex 9m, 150mm	BV 80 / BV 100 / 110 / 160 / 170 / 280 / 290, BVS 170 / 290, BF 30 / 60, GREEN 70
4515.961	Stalflex 12m, 150mm	BV 80 / BV 100 / 110 / 160 / 170 / 280 / 290, BVS 170 / 290, BF 30 / 60, GREEN 70
4515.962	Stalflex 1,5m, 200mm	GREEN 115 / 200, BV 460 / 680

MASTER ACCESSORIES

4515.963	Stalflex 6m, 200mm	GREEN 115 / 200, BV 460 / 680
4515.964	Stalflex 9m, 200mm	GREEN 115 / 200, BV 460 / 680
4515.965	Stalflex 12m, 200mm	GREEN 115 / 200, BV 460 / 680
4515.984	Lower stalflex connector 120mm	BV 70
4515.985	Upper stalflex connector 120mm	BV 70
4515.986	Intermediate stalflex connector 120mm	BV 70
4515.987	Flue stalflex connector 120mm	BV 70
4515.966	Lower stalflex connector 150mm	BV 80 / BV 100 / 110 / 160 / 170 / 280 / 290, BVS 170 / 290, BF 30 / 60, GREEN 70
4515.967	Upper stalflex connector 150mm	BV 80 / BV 100 / 110 / 160 / 170 / 280 / 290, BVS 170 / 290, BF 30 / 60, GREEN 70
4515.968	Intermediate stalflex connector 150mm	BV 80 / BV 100 / 110 / 160 / 170 / 280 / 290, BVS 170 / 290, BF 30 / 60, GREEN 70
4515.969	Flue stalflex connector 150mm	BV 80 / BV 100 / 110 / 160 / 170 / 280 / 290, BVS 170 / 290, BF 30 / 60, GREEN 70
4515.970	Lower stalflex connector 200mm	GREEN 115 / 200, BV 460 / 680
4515.971	Upper stalflex connector 200mm	GREEN 115 / 200, BV 460 / 680
4515.972	Intermediate stalflex connector 200mm	GREEN 115 / 200, BV 460 / 680
4515.973	Flue stalflex connector 200mm	GREEN 115 / 200, BV 460 / 680

Thermostats

code	description	appropriate
4100.426	TH-2 Room thermostat	B 35 / B 70 / B 100 / B 150
4150.105	TH-5 Room thermostat	BLP, XL9, B 220 / 354 CEA, B 225 / 355 CEE, B 360, BS 360, BV 70-290
4150.110	TH-5A Room thermostat	GREEN, BV 460 / 680, BF 30 / 60, BG
4115.523	TH-3 Room thermostat	VAL

Hoses

code	description	appropriate
4031.402	Hose yellow 7,6m, 406mm	BV 100 / 110 / 160 / 170 / 280 / 290, BVS 170 / 290
4031.406	Hose yellow 7,6m, 305mm	BV 70 / 80, BV 460 / 680
4161.432	Spring-back binder	BV
4013.251	Perforated hose 25m	GREEN 70
4013.257	Perforated hose 50m	GREEN 115
4013.258	Perforated hose 50m	GREEN 200

The others

code	description	appropriate
4012.321	Stand	HALL 1500
4103.925	Trolley	B 35, B 70
4117.121	Wheel with brake	XL9
4031.120	Fuel pre-heater	XL9, B 220 / 354 CEA, B 225 / 355 CEE, B 360, BS 360, BV, GREEN
4031.460	Fuel line 4m	BV
4109.427	Pressure gauge 0-0,6 BAR	B 35 / B 70 / B 100 / B 150 (compressor)
4109.435	Pressure gauge 0-16 BAR	high pressure heaters (oil pump)
4106.058	Photocell tester	B 35 / B 70 / B 100 / B 150
4160.659	Regulator 0,7 BAR	BLP 15
4160.685	Regulator 1,5 BAR	BLP 30 / 50 / 70
4162.045	Regulator 0,5-2 BAR	BLP 100E
4160.656	Gas hose	BLP 15
4160.661	Gas hose	BLP 30 / 50 / 70

