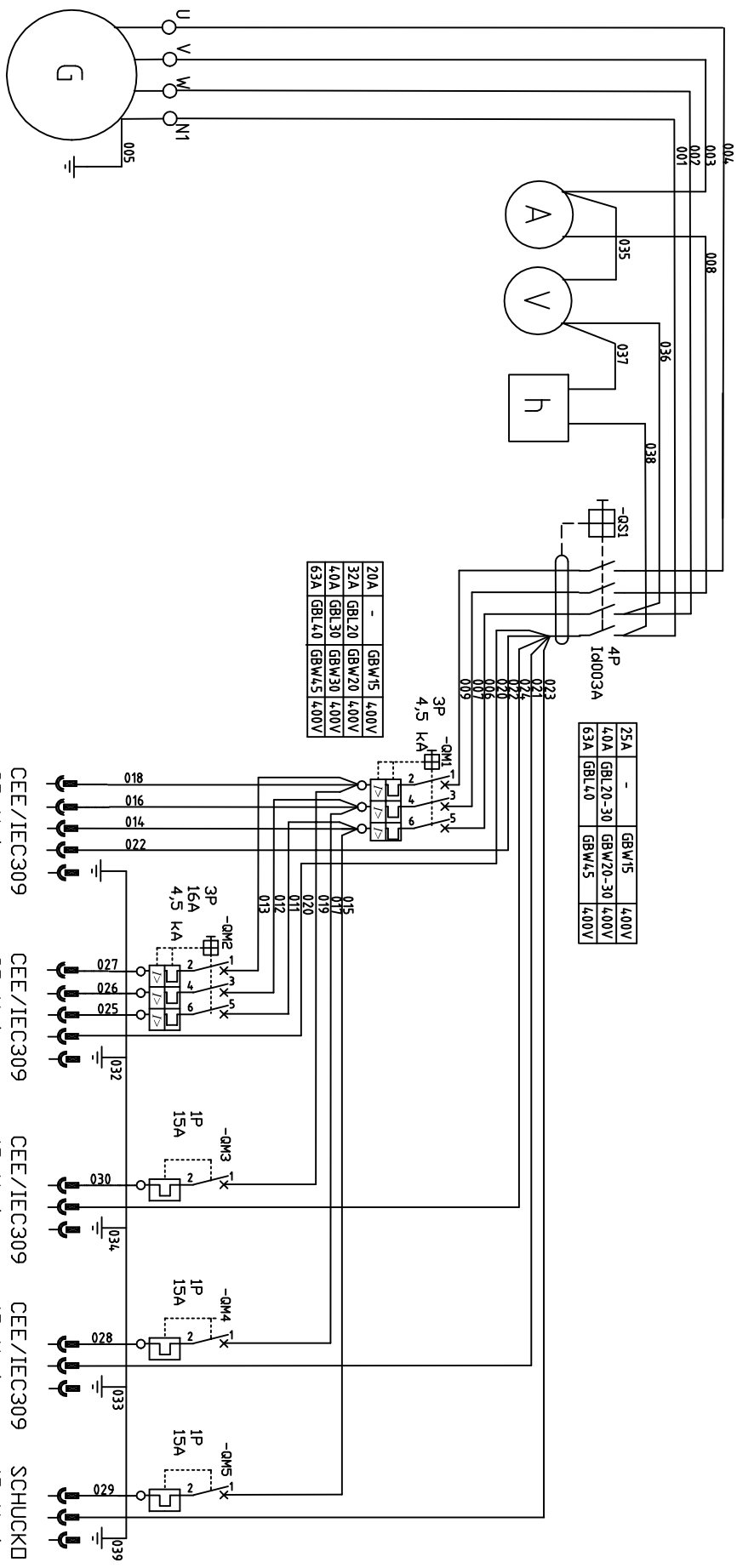


0	1	2	3	4	5	6	7	8	9
GEN SET		GEN SET VOLT.		GEN SET CIRCUIT BREAKER & DIF		LOAD			
MOUNTED ON THIS GEN SET									
ALTERNATOR PHASE U									
ALTERNATOR PHASE V									
ALTERNATOR PHASE W									
ALTERNATOR N 1									
PROTECTIVE EARTH									
AMPERE METER									
VOLT METER									
HOUR COUNTER									
PHASE U									
PHASE V									
PHASE W									
GEN SET N1									
PHASE U									
PHASE V									
PHASE W									
GEN SET N1									
PROTECTIVE EARTH									
PHASE U									
PHASE V									
PHASE W									
GEN SET N1									
PROTECTIVE EARTH									
PHASE U									
GEN SET N1									
PROTECTIVE EARTH									
PHASE V									
GEN SET N1									
PROTECTIVE EARTH									



20A	-	GBW15	4,00V
32A	GBL20	GBW20	4,00V
40A	GBL30	GBW30	4,00V
63A	GBL40	GBW45	4,00V

25A	-	GBW15	4,00V
40A	GBL20-30	GBW20-30	4,00V
63A	GBL40	GBW45	4,00V

32A	GBL20	GBW15-20	4,00V
63A	GBL30-40	GBW30-45	4,00V

16A	GBL20	GBW15-20	4,00V
32A	GBL30-40	GBW30-45	4,00V

**POWER DIAGRAM (MC-01)
PROTECTION & MEASURED
CONNEX.Y-Y; FOR GBL/GBW**

SM5W103008

Fecha: 17/09/2004	Pág: 1	Rev04	Rev08
Autor: Armando Fdez Corbeira	Rev01	Armando Fernández	09/01/2006
	Rev02		Rev07
	Rev03		Rev06
	Rev05		