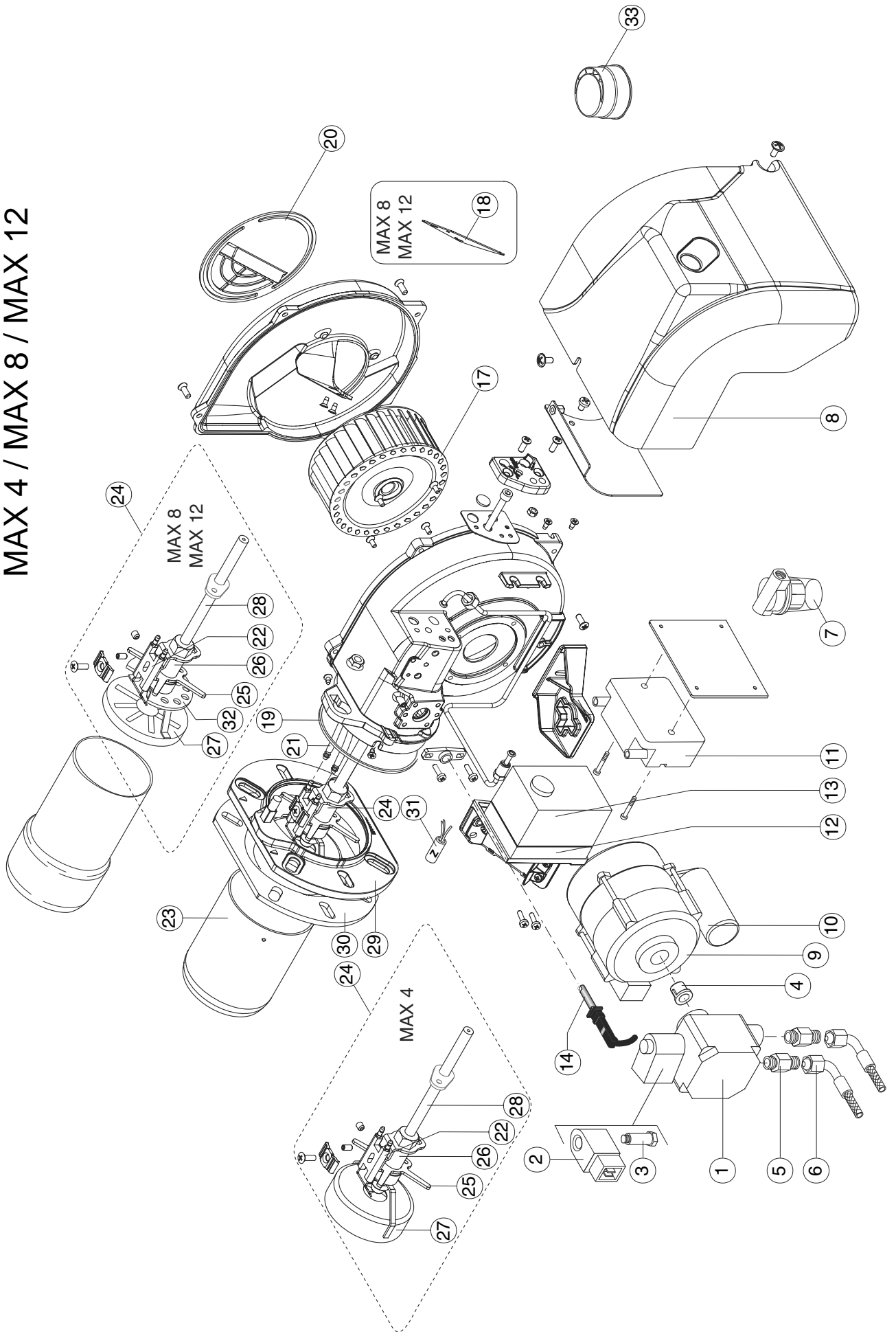


MAX 4 / MAX 8 / MAX 12



BURNERS – MAX 4 / MAX 8 / MAX 12

Pos.	Description	MAX 4	MAX 8	MAX 12
1	OIL PUMP DANFOSS BFP11 R3	4031.197	4031.197	4031.197
1.1	OIL FILTER PUMP	4031.094	4031.094	4031.094
2	COIL DANFOSS	4031.019	4031.019	4031.019
3	OIL VALVE DANFOSS	4031.195	4031.195	4031.195
4	COUPLING AEG	4031.605	4031.605	4031.605
5	NIPPLE TN 6 X 700	4031.234	4031.234	4031.234
6	HOSES	-	-	4031.257
7	FILTER	4031.071	4031.071	4031.071
8	COVER	N/A	N/A	N/A
9	MOTOR 75 W AEG	4031.625	-	-
9	MOTOR 100 W AEG	-	4031.626	-
9	MOTOR 130 W AEG	-	-	4031.606
10	CAPACITOR 3 µF x 75 W AEG	4031.627	-	-
10	CAPACITOR 4 µF x 100-130 W AEG	-	4031.608	-
10	CAPACITOR 4 µF x 100-130 W AEG	-	-	4031.608
11	IGNITION TRANSFORMER COFI	4031.098	4031.098	4031.098
12	CONTROL BOX BASE BRAHMA	4031.016	4031.016	4031.016
13	CONTROL BOX BRAHMA GF3	4031.014	4031.014	4031.014
14	PHOTOCELL BRAHMA	4031.628	4031.628	4031.628
17	FAN	4031.209	4031.209	4031.209
18	FAN SCOOP	-	S/R	S/R
19	ORING	4031.612	4031.612	4031.612
20	COVER AIR INLET	N/A	N/A	N/A
21	CABLES	S/R	S/R	S/R
22	ELECTRODES	4031.613	4031.613	4031.613
23	BLAST TUBE TC	S/R	S/R	S/R
24	FIRING HEAD TC	N/A	N/A	N/A
25	NOZZLE HOLDER SUPPORT	4031.615	4031.615	4031.615
26	NOZZLE HOLDER	4031.616	4031.616	4031.616
27	DIFFUSER	4031.226	4031.629	4031.630
28	ROD TC	4031.631	4031.632	4031.633
29	FLANGE	S/R	S/R	S/R
30	GASKET	4031.634	4031.634	4031.634
31	ANTIJAMMING FILTER	4031.311	4031.311	4031.311
33	ADAPTER RING	N/A	N/A	N/A
not shown	NOZZLE 0,65 GPH 60°S (BF30)	4031.032	-	-
not shown	NOZZLE 1,25 GPH 60°S (BF60)	-	4031.034	-
not shown	NOZZLE 1,75 GPH 60°S (GREEN 70 / BV300)	-	4031.591	-
not shown	NOZZLE 2,00 GHP 60°S (BG100 / BV360)	-	-	4111.134
	COMPLETE OIL BURNER MAX 4 (BF 30)	4031.595	-	-
	COMPLETE OIL BURNER MAX 8 (BF 60)	-	4031.596	-
	COMPLETE OIL BURNER MAX 8 (GREEN 70 / BV300)	-	4031.597	-
	COMPLETE OIL BURNER MAX 12 (BV360)	-	-	4031.598
	COMPLETE OIL BURNER MAX 12 (BG100)	-	-	4031.602

S/R – Parts available by special request only

N/A – Parts not available