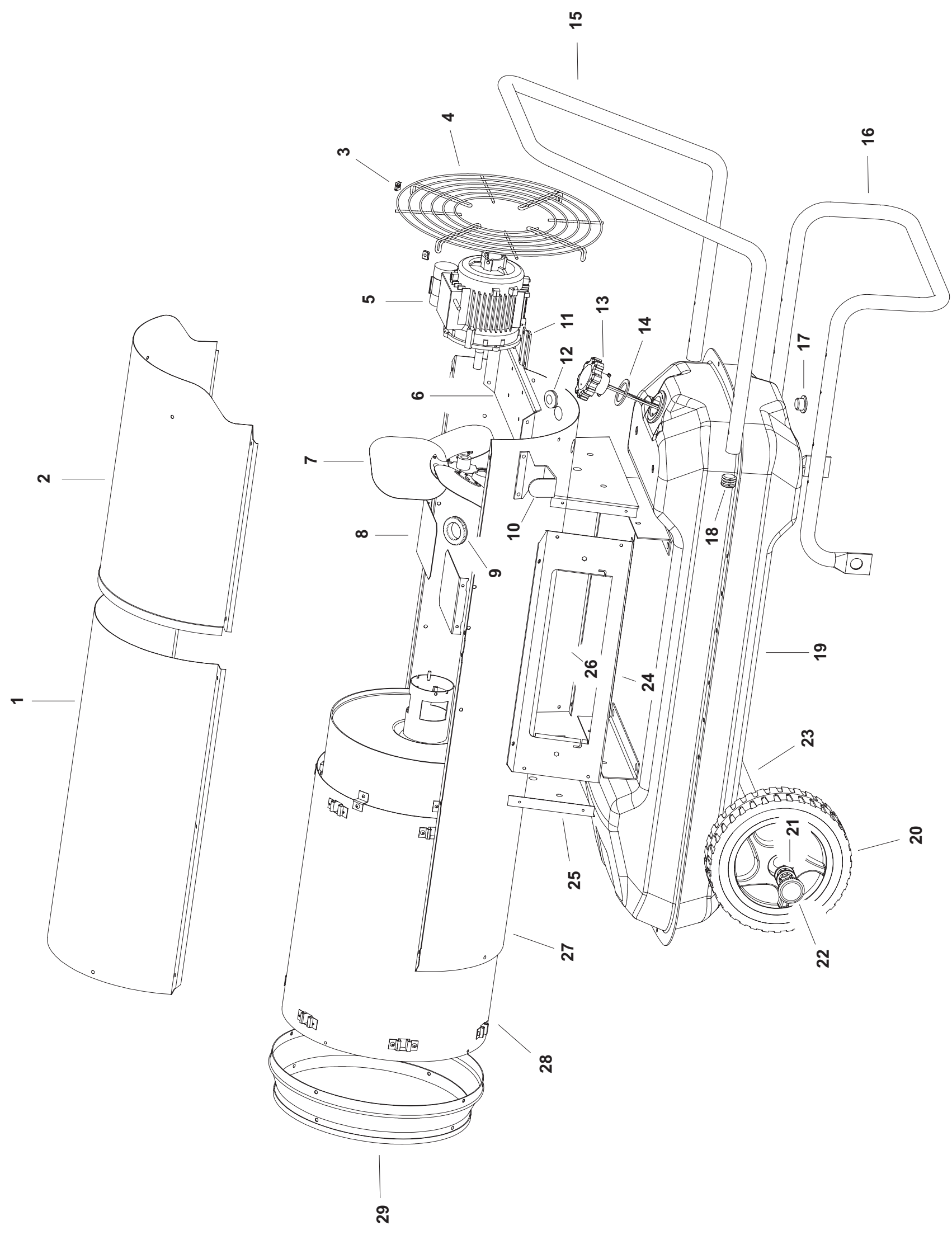
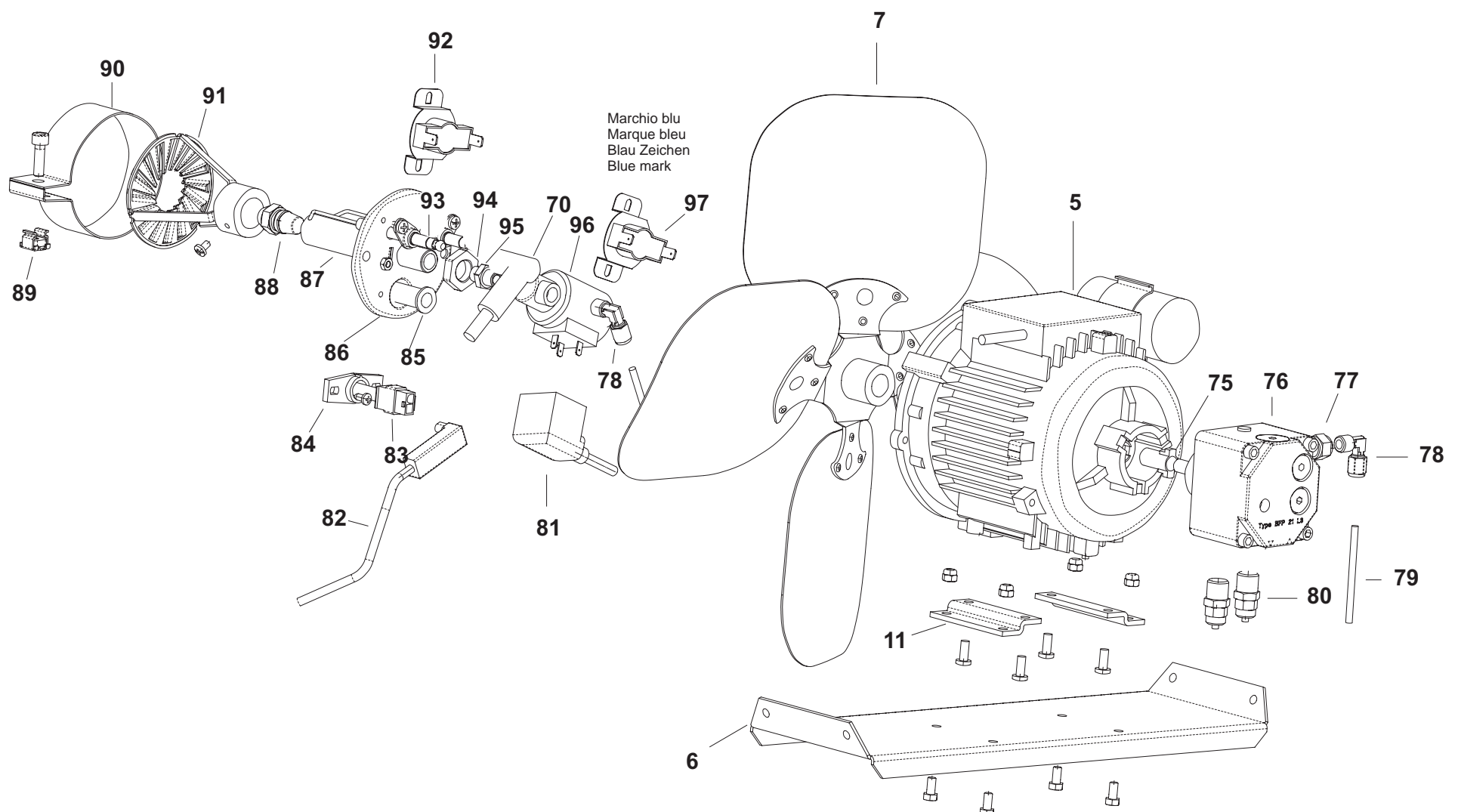
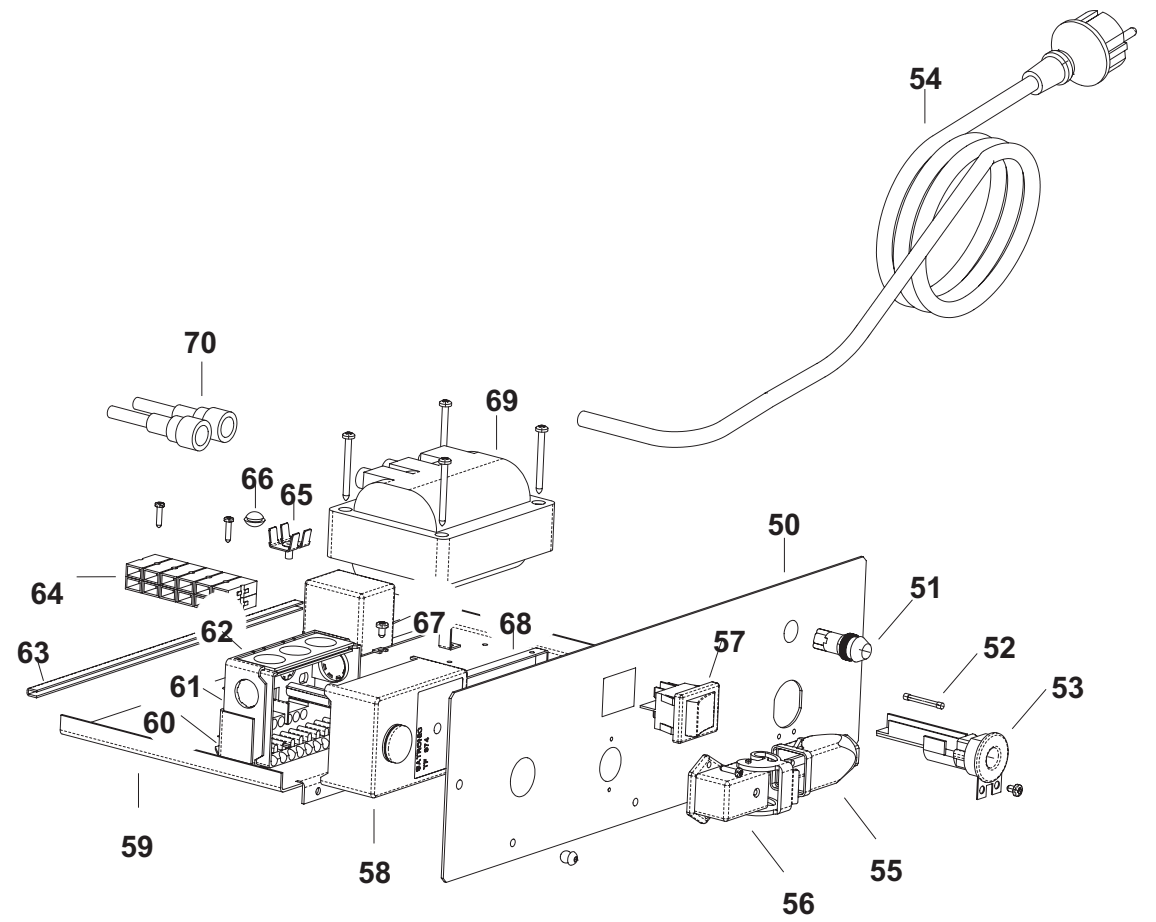
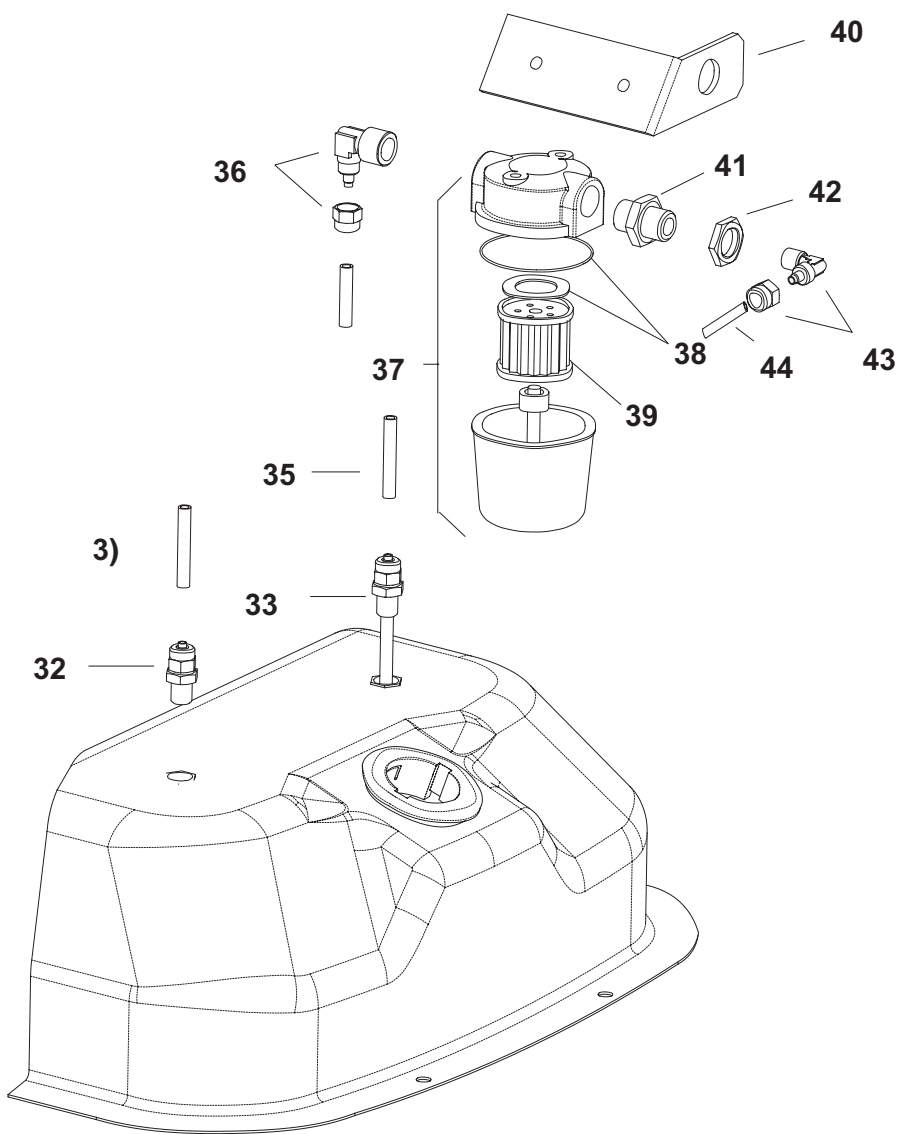


Edizione 2006
Rev. 0





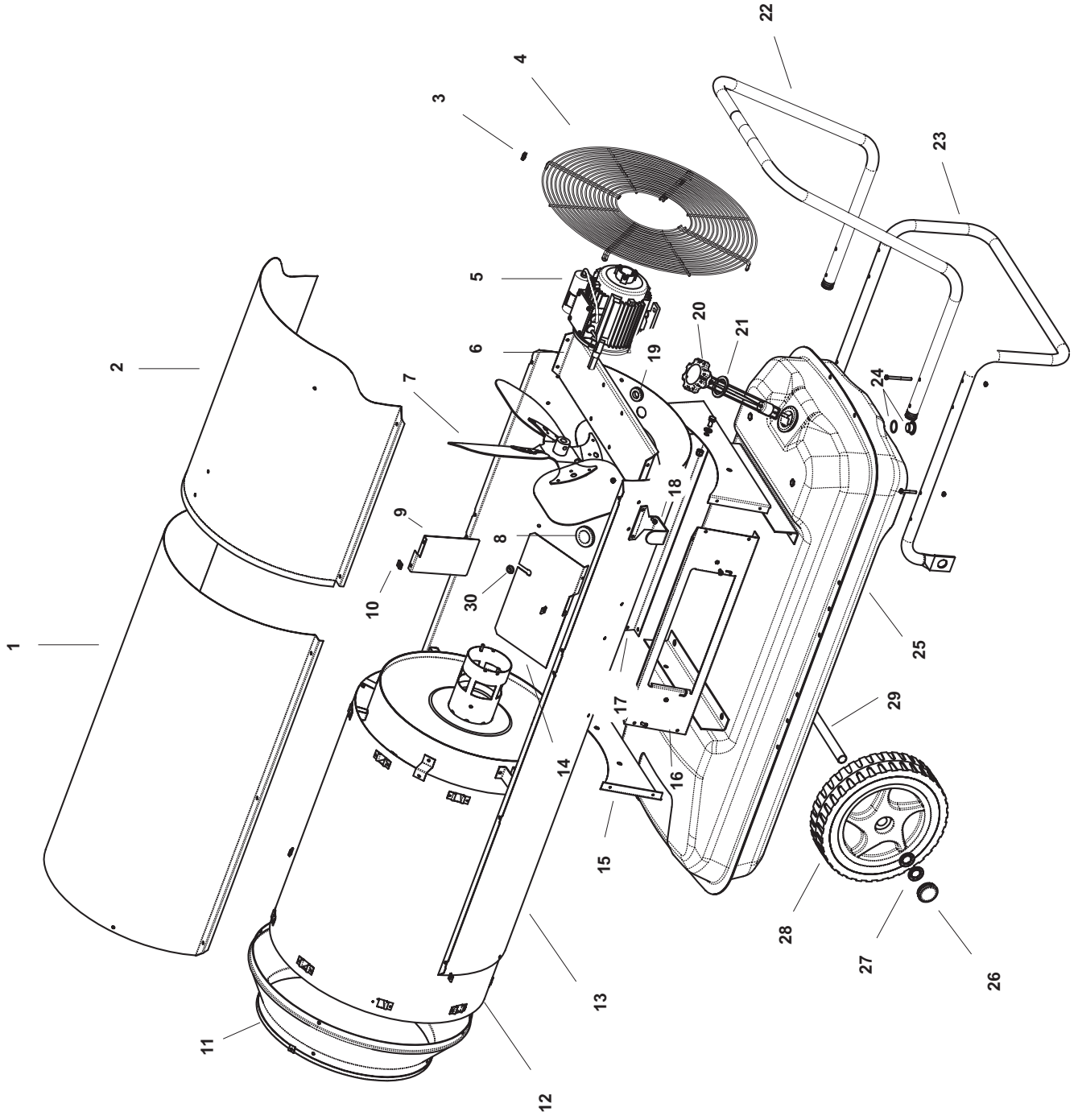
Key No.	Part number	Description
1	S/R	Upper body
2	S/R	Upper body mobile
3	4111.241	Elastic plate
4	4032.557	Inlet grille
5	4032.702	Motor 2P 450W
6	S/R	Motor flange support
7	4111.689	Fan
8	4032.554	Air flap
9	4111.056	Protection cable
10	S/R	Power cord hook
11	4032.519	Motor flange
12	4160.646	Protection cable
13	4032.475	Fuel level probe
14	4032.537	Tank plug seal
15	4032.568	Handle Frame
16	4032.564	Foot Frame
17	4100.632	Drain plug
18	4111.057	Plug
19	4032.543	Fuel tank
20	4032.094	Wheel Ø 250
21	4111.072	Wheel holder Ø 20
22	4111.480	Wheel plug
23	4032.566	Axle
24	S/R	Electr. componets drawer panel
25	S/R	Base
26	S/R	Side Panel
27	S/R	Lower body
28	4111.653	Combustion chamber
29	4032.544	Outlet cone
32	4032.488	Conn. straight M10
33	4032.092	Pipe connection M10
35	4032.434	Oil pipe 6mm tank-filter
36	4031.803	Connection 90° 3/8"
37	4111.045	Filter with cartidge 3/8"
38	4111.116	OR KIT filter
39	4031.015	Filter cartridge
40	4032.437	Filter support
41	4031.802	Double screw
42	4031.800	Conn. straight 3/8" Mx5
43	4111.273	Connection 90° 1/8"
44	4032.435	Oil pipe 6mm filter-pump
50	S/R	Electr. components drawer
51	4117.058	Pilot lamp 230V

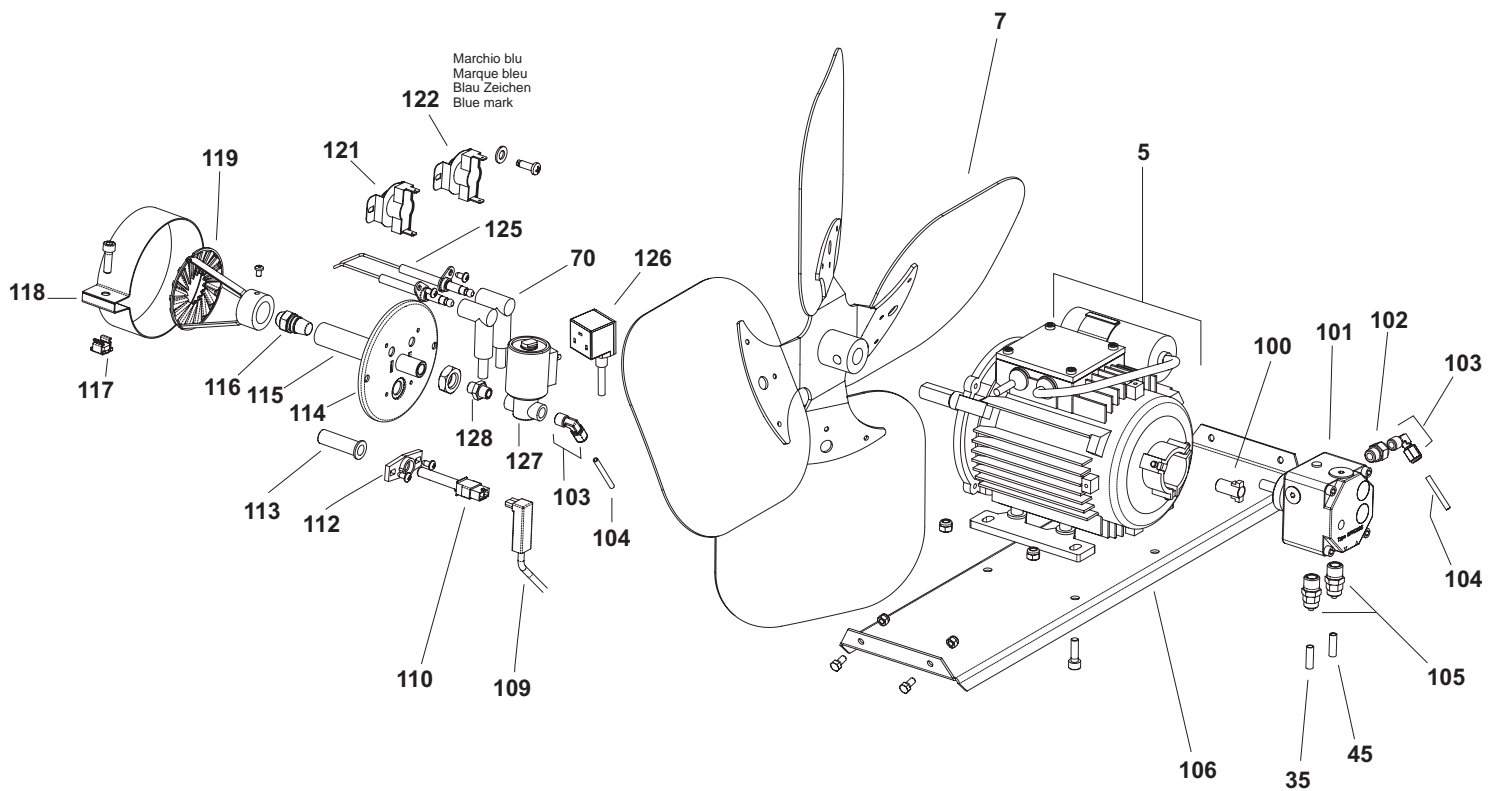
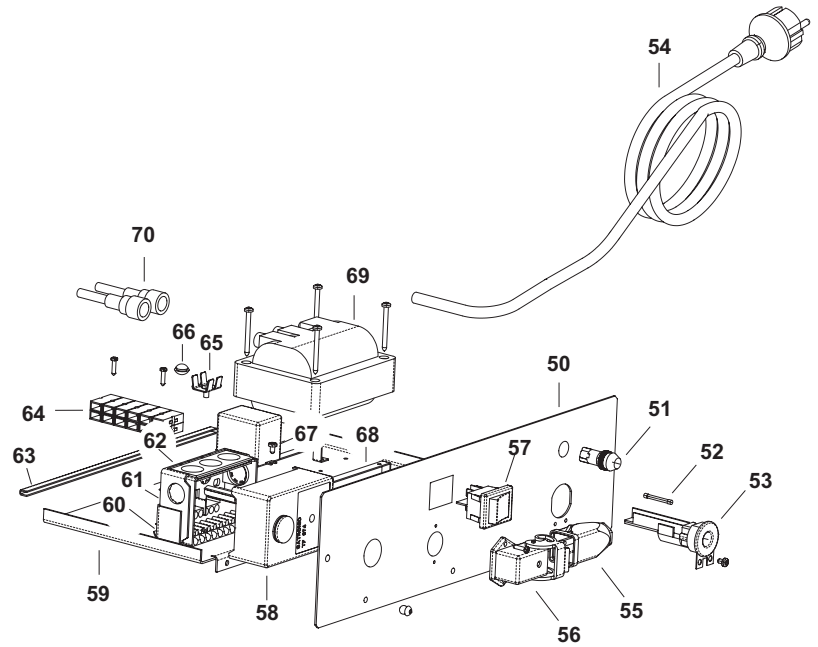
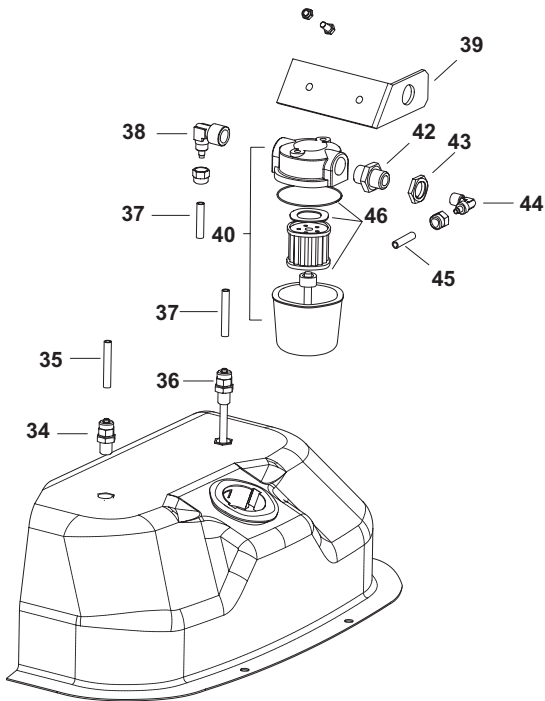
MASTER DIRECT OIL HEATERS

MODEL B 230

PARTS LIST

Key No.	Part number	Description
52	4111.040	Fuse (6,3x32) 10 A
53	4111.038	Cable fastener
54	4111.153	Power cord
55	4111.118	Thermostat plug
56	4111.119	Plate plug
57	4160.637	Switch
58	4110.968	Control box Satronic
59	4032.448	Electr. components base
60	4032.499	Control box support
61	4110.969	Control box base
62	4110.967	Support PG photocell
63	4110.155	Edge Liner
64	4111.033	Terminal board
65	4160.639	Pop rivet with termin. 4 way
66	4032.450	Plastic pin
67	4111.032	Relay Finder
68	4111.030	Transformer support
69	4031.035	Transformer
70	4110.971	H.T. cable
75	4111.081	Coupling Simel
76	4032.093	Pump Danfoss
77	4161.501	Nut for bicone 1/8
78	4161.140	Connection 90° 1/8"
79	4111.049	Oil supply pipe
80	4031.160	Conn. Straight 1/4"
81	4032.110	Power cord Solenoid spool
82	4110.970	Photocell conn. cable.
83	4110.966	Photocell
84	4111.076	Photocell block bracket
85	4032.406	Photocell support
86	4032.574	Burner flange
87	4032.403	Nozzle support
88	4031.027	Nozzle 1,25 GPH 80° S
89	4032.454	Nut M6
90	4032.545	Air regulatoin flap
91	4032.570	Turbo disc
92	4031.045	Fan Thermostat
93	4031.095	Electrode
94	4032.407	Conn. straight Mx14x6
95	4160.968	Conn. straight 1/8"
96	4102.535	Solenoid spool 230V/50Hz
97	4031.047	Limit Thermostat





Key No.	Part number	Description
1	4111.604	Upper body
2	4032.458	Upper body mobile
3	4111.241	Elastic plate Ø 4,2
4	4032.465	Inlet grille
5	4032.431	Motor 4PW 230V/50 IP44
6	4032.463	Motor flange support
7	4032.430	Fan Ø 500mm-27°
8	4111.056	Protection cable
9	4032.518	Central Air flap
10	4104.170	Clip nut
11	4032.452	Outlet cone
12	4111.638	Combustion chamber
13	4032.460	Lower body
14	4032.462	Air flap
15	4032.470	Base
16	4032.466	Electr. componets drawer panel
17	4032.468	Side Panel
18	4032.536	Power cord hook
19	4160.646	Protection cable
20	4032.475	Fuel level probe L=241,3
21	4032.537	Tank plug seal
22	4032.480	Handle frame
23	4032.476	Foot frame
24	4100.632	Drain plug
25	4032.439	Fuel tank
26	4111.480	Wheel plug
27	4111.072	Wheel holder Ø 20
28	4110.978	Wheel
29	4032.478	Axle
30	4101.151	Protection cable
34	4032.488	Conn. straight M10
35	4032.436	Fuel pipe pump-tank
36	4032.092	Pipe connection M10
37	4032.434	Fuel pipe tank-filter
38	4031.803	Connection 90° 3/8"
39	4032.437	Filter support
40	4111.045	Filter with cartidge 3/8"
41	4031.015	Filter cartridge
42	4031.802	Double screw
43	4031.800	Conn. straight 3/8" Mx5
44	4111.273	Connection 90° 1/8"
45	4032.435	Fuel pipe filter-pump
46	4111.116	OR KIT filter
50	4032.466	Electr. componets drawer panel
51	4117.058	Pilot lamp 230V
52	4111.040	Fuse (6,3x32) 10 A

MASTER DIRECT OIL HEATERS

MODEL B 360

PARTS LIST

Key No.	Part number	Description
53	4111.038	Cable fastener
54	4111.153	Power cord 3mt
55	4111.118	Thermostat plug
56	4111.119	Plate plug
57	4160.637	Switch 16A
58	4110.968	Control box Satronic
59	4032.448	Electr. Components base
60	4032.499	Control box support
61	4110.969	Control box base
62	4110.967	PG plate
63	4110.155	Edge Liner
64	4111.033	Terminal board
65	4160.639	Pop rivet with termin. 4 way
66	4032.450	Plastic pin
67	4111.032	Relay Finder
68	4111.030	Transformer support
69	4031.035	Transformer
70	4110.971	H.T. cable
100	4111.081	Coupling Simel
101	4032.432	Pump Danfoss
102	4161.501	Nut for bicone 1/8
103	4161.140	Connection 90° 1/8"
104	4032.433	Oil supply pipe
105	4031.160	Conn. Straight 1/4"
106	4032.463	Motor flange support
109	4110.970	Photocell conn. cable.
110	4110.966	Photocell
112	4111.076	Photocell block bracket
113	4032.406	Photocell support
114	4032.405	Burner flange Ø 101,6mm
115	4032.403	Nozzle support
116	4111.143	Nozzle 2,00 GPH 80°H
117	4032.454	Nut M6
118	4032.453	Air regulatoin flap
119	4032.570	Turbo disc
121	4031.045	Fan Thermostat
122	4031.047	Limit Thermostat
125	4031.095	Electrode
126	4032.110	Power cord Solenoid spool
127	4102.535	Solenoid spool 230V/50Hz
128	4160.968	Conn. straight 1/8"