

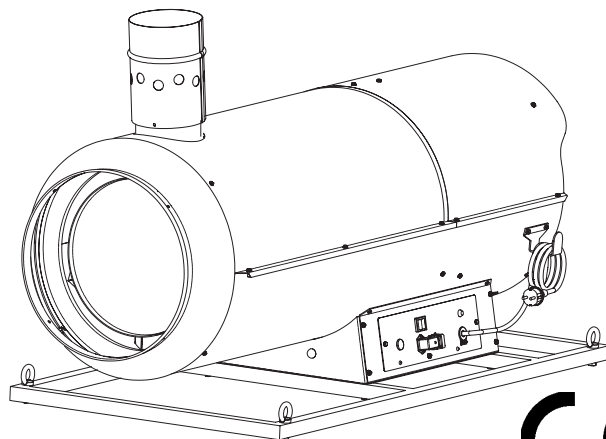
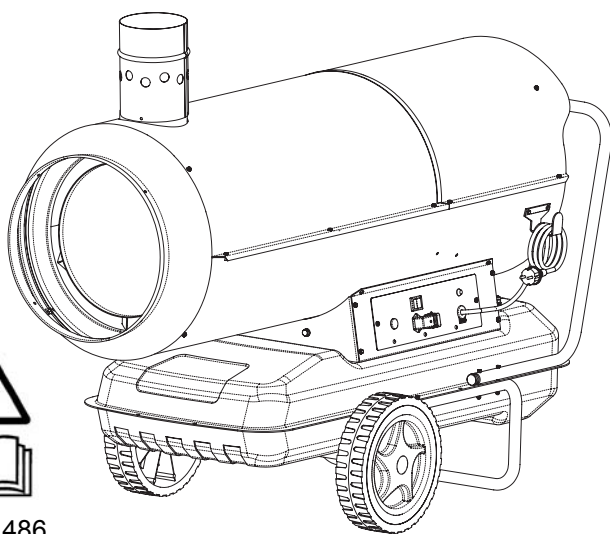
MASTER®

- IT - Generatore d'aria Calda**
GB - Portable forced air heaters
DE - Tragbare hochdruck-heissluftturbinen
ES - Calentadores móviles de aire forzado
FR - Appareils de chauffage individuels à air forcé
NL - Mobiele ventilator-luchtverwarmer
PT - Aquecedores portáteis com ventilação forçada
DK - Flytbare luftcirkulations apparater
FI - Siirrettävä kuumailmapuhallin
NO - Flyttbar varmekanon
SV - Portabel varmluftsfläkt
PL - Przenośne nagrzewnice powietrza pod ciśnieniem
RU - Тепловой генератор
CZ - Přenosná topná tělesa na dm chan vzduch
HU - Hordozható hőlégfúvók
HR - Uređaj za upuh toploga zraka
SI - Priprava za vpihavanje toploga zraka
TR - Portatif basınçlı hava isiticilar

*Libretto uso e manutenzione - Operation and maintenance manual - Bedienungsanweisung
- Manual del propietario - Manuel de L'utilisateur - Gebruiksaanwijzing en onderhoud -
Manual de instruções - Brugs- og vedligeholdelsesvejledning - Käyttö- ja huoltokirja - Bruks-
og vedlikeholdsmanual - Bruksanvisning - Instrukcja obsługi i konserwacji - Руководство по
эксплуатации и уходу - Návod k použití a k údržbě - Használati utasítás - Uputa o pogonu i
održavanju - Priročnik - Kullanicı kilavuzu*



4032.486
Edition 06



BV 110 E - BV 170 E - BV 290 E - B 230 - B 360
BVS 170 E - BVS 290 E - BS 230 - BS 360

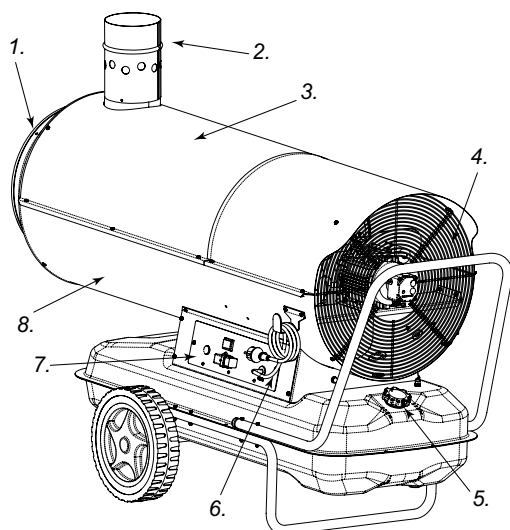
**SPECIFICATIONS - SPÉCIFICATIONS - TECHNISCHE DATEN - TECHNISCHE GEGEVENS
 - DATI TECNICI - ASPECIFICACIONES - CARACTERÍSTICAS TÉCNICAS - TEKNISKE
 KARAKTERISTIKKER - SPECIFIKATIONER - SPECIFIKATIONER - TECHNICKÉ
 ÚDAJE - MŰSZAKI ADATOK - SPESIFIKASJONER - SPECYFIKACJE - ТЕХНИЧЕСКИЕ
 ХАРАКТЕРИСТИКИ - TEHNIČKI PODACI - TEHNIČNI PODATKI - TEKNİK VERİKLER**

	BV 110 E	BV 170 E BVS 170 E	BV 290 E BVS 290 E	B 230 BS 230	B 360 BS 360
Potenza max - Max power - Max Wärmeleistung - Potencia max - Puissance ther. max. - Max Vermogen - Värmestyrka max - Enimmäislämpöteho-Maks. Termisk Effekt-Maksimal varmeeffekt-Wydajność - Номинальная выходная мощность-Teljesítmény-Jmenovitá výkon - Maksimalna snaga - Maksimalna moč - Maksimum güç	33 kW 28.000 Kcal/h	47 kW 40.000 Kcal/h	81 kW 70.000 Kcal/h	65 kW 56.000 Kcal/h	111 kW 95.460 Kcal/h
Portata d'aria - Air output - Luftstrom - Heißluftausstoß - Salida de aire caliente - Débit D'air - Blaasvermogen hete lucht - Hetluftsutsläpp - Kuuilmateho - Varmluftmængde i m3 i minuttet - Varmluftskapasitet - Wydajność ciepłego powietrza - Выход горячего воздуха - Meleg levegő kibocsátás - Vstup horkého vzduchu - Kapacitet zraka - Pretok zraka - Hava kapasitesi:	1.800 m³/h	1.800 m³/h	3.300 m³/h	3.000 m³/h	3.300 m³/h
Consumo di combust.-Fuel Consumpt.-Kraftstoffverbr.-Consumo de combust.-Consumation Fuel - Brandstofverbruik - Bränsleförbrukning - Polttoaineenkulutus - Petroleumsforbrug - Brennstofforbruk - Zuzycie paliwa - Расход топлива - Fűtőolaj fogyasztás - Spotreba paliva - Potrošnja goriva - Poraba goriva - Yakıt tüketimi	2,71 kg/h	3,9 kg/h	6,8 kg/h	5,4 kg/h	8,83 kg/h
Combustibile - Fuel - Kraftstoff - Brandstof - Bränsle - Polttoaine - Brændstof - Brennstoff - Paliwo - Топливо - Fűtőolaj - Palivo - Gorivo - Gorivo - Yakıt	diesel	diesel	diesel	diesel	diesel
Capacità serb. - Fuel tank capacity - Kraftstofftank/Fassungsvermögen - Capacidad del tanque de combust. - Capacité Du Reservoir Fuel - Tankinhoud - Tankstorlek - Polttoainesäiliön tilavuus - Tankkapacitet i liter - Størrelse på brændstofftanken - Pojemność zbiornika paliwa - Емкость топливного бака - Fűtőolajtartály térfogata - Kapacita palivové nádrže - Kapacitet spremnika - Kapaciteta rezervoarja - Depo kapasitesi	65 Lt	65 Lt	105 Lt	65 Lt	105 Lt
Temp. di gittata a 20 cm di distanza e 15°C temperatura ambiente	71 °C	98 °C	105 °C	181 °C	214 °C
Alimentazione elettr.-Electric Requirements-Elektrischer Anschluß - Tension-V-Requisitos electr.-Netvoeding-Elektrisk strøm - Sähkövirta - El-type - Elektriske krav - Wymagania odnosnie zasilania - Электропитание - Villamos csatlakozás - Potrebne elektr. napeti - Električno napajanje - Električno napajanje - Elektrik beslemesi	230V/50Hz 2,3 A 120V/50- 60Hz 4,6 A	230V/50Hz 2,3 A 120V/50- 60Hz 4,6 A	230V/50Hz 4,6 A 120V/50- 60Hz 9,2 A	230V/50Hz 2,3 A 120V/50- 60Hz 4,6 A	230V/50Hz 4,6 A 120V/50- 60Hz 9,2 A
Potenza assorbita-Electric power absorbed-Aufgenommene E-Leistung-Potencia eléct. absorbida-Puissance électrique absorbée - Geabsorbeerd elektrisk vermogen-Potência eléctrica absorvida - Absorb. elektrisk kraft - Ottoteho-Forbruk elektrisitet - Upptagen elektrisk effekt - Pobór mocy-Pogłóżcająca elektryczna moc-V kon spotřebovane elektriny-Felvett teljesítmény - Apsorbirana snaga - Absorbirana moč - Emilen güç	650 W	650 W	1.060 W	650 W	1.060 W
Forma di corrente	AC	AC	AC	AC	AC
Peso - Weight - Gewicht - Poids - Varmeapparat vægt - Lämmitimen paino - Vekt varmekanon - Vikt värmevläkt - Cięż ar nagrzewnicy - Вес нагревателя - Hmotnost topného tělesa - Hőlégfűvő súlya - Težina - Teža - Ağırlık	66 kg	71 kg (no tank= 63 kg)	112 kg (no tank= 80 kg)	52 kg (no tank= 45 kg)	95 kg (no tank= 63 kg)
Ø uscita fumi - Ø of fume outlet - Durchmesser Abgasrohr - Ø salida humos - Ø sortie fumée - Ø rookafvoer - Ø da saída de gases - Røgdugang Ø - Savukaasun poistoputken halkaisija - Ø røykutførsel - Ø skorstensutl. - Średnica wylotu spalin - Диаметр выходного отверстия дыма - Průměr v pusté kouře - Füstgázvezetés átmérő - Ø izlaz dima - Ø Premer odprtine za izhod hlapov - duman çıkışı Ø	150 mm	150 mm	150 mm	-	-
Ugello-Nozzle-Düse-Boquilla-Buse-Straalpijp-Bico-Dyse- Polttoainesuutin-Kran-Munstycke-Dysza-Форсунка-Труська-Фűvőka - Štrcaljka - Šoba - Nozül	0,65 US gal/h 80°	1 US gal/h 80°	1,5 US gal/h 80°	1,25 US gal/h 80°	2 US gal/h 80°
Prex pompa - Fuel pump pressure - Druck Brennstoffpumpe - Presión bomba combust. - Pres. pompe combust. - Druk brandstofpomp-pressão da bomba de combust.-Brændstofpumpe tryk-Polttoainepump. paine-Trykk i oljepumpen-tryck bränslepump - Ciśnienie pompy paliwa - Давление насоса топлива - Tlak čerpadla paliva - Üzemanyagszivattyú nyomás - Pritisak pumpe - Pritisk črpalke - Pompa basinci	12 bar	10 bar	12 bar	12 bar	13 bar

CONTENTS

IDENTIFICATION OF PART "B" AND "BV"	7
SAFETY INFORMATION	7
REMOVING THE HEATER FROM THE PACKAGE	7
STARTING THE HEATER	8
TURNING OFF THE HEATER	8
SAFETY DEVICES	8
MOVING AND TRANSPORTING THE HEATER	8
PREVENTATIVE MAINTENANCE PROGRAMME	9
HEATER FUNCTIONING DIAGRAM	9
ELECTRIC CONTROL PANEL	10
TROUBLESHOOTING	10

IDENTIFICATION OF PART "B" AND "BV"



1. Hot air output, 2. Flue connection, 3. Upper shell,
4. Fan guard,
5. Reservoir cap with fuel level probe, 6. Power cable,
7. Control panel, 8. Lower shell

Series B is a line of hot air generators with direct heating system that mix the heat released externally with combustion residues. These heaters are particularly suitable to be used for heating, defrosting and drying both outdoors and in areas with frequent air exchanges.

Series BV is a line of hot air generators with indirect heating system. These generators have a heat exchanger that enables to separate exhaust combustion gases from the heat released in the environment, so that it is possible to inject a flow of clean hot air in the area that needs to be heated and to discharge exhaust fumes externally.

Series B and BV hot air generators are designed in compliance with current safety, performance and life standards, are fitted with safety devices configured to guarantee continuous operation, minimize noise and are manufactured in carefully selected materials that ensure maximum reliability.

Heaters can be fitted with wheels to simplify handling or ceiling-mounted. Their excellent standalone performances along with the possibility of using a thermostat guarantee utmost flexibility during use. The external indicator, which measures the quantity of fuel in the reservoir, enables to quickly check whether the reservoir needs refilling.

SAFETY INFORMATION

WARNING

IMPORTANT: Read the manual carefully before attempting to assemble, switch on or service this heater. The use of the heater may cause serious or fatal injuries resulting from burns, fire, explosion, electrical discharge or carbon monoxide poisoning.

DANGER: Carbon monoxide poisoning can be fatal!

Carbon monoxide poisoning The first symptoms of carbon monoxide poisoning are similar to those of flu, with headache, dizziness and/or nausea. These symptoms may be caused by the defective functioning of the heater. Go outside into the open air immediately! Have the heater repaired. Some people feel the effects of carbon monoxide to a greater extent, especially pregnant women, those suffering from anaemia, cardiac or lung conditions, those who are drunk and anyone at a high altitude. Ensure that you have read and understood all the warnings. Keep this manual for future reference – it is a guide to the safe and correct functioning of the heater.

- Use only fuel oil no.1 in order to avoid the risk of fire or explosion. Never use petrol, naphtha, paint solvents, alcohol or other highly inflammable combustibles.

- Fuelling

- a) The individual responsible for fuelling the heater must have the relevant competence and be completely familiar with the manufacturer's instructions and with current norms concerning the safe fuelling of the heaters.

- b) Only use the type of fuel expressly specified on the identification label of the heater.

- c) Before adding fuel, extinguish all flames, including the pilot light, and wait until the heater has cooled down.

- d) While adding fuel, inspect all the fuel lines and joins to make sure there are no leaks.

Any leak whatsoever must be repaired before switching on the heater.

- e) In no circumstances must more than one day's supply of fuel be stored in the same building in proximity to the heater. Fuel storage tanks must be kept in a separate location.

- f) All fuel tanks must be kept at a minimum distance from heaters, oxyacetylene torches, welding equipment etc. (with the exception of the fuel tank incorporated into the heater) following regulations.

- g) Wherever possible, fuel should be stored in a place where the floor does not allow fuel to seep through and drip onto live flames beneath, which might cause fire.

- h) Fuel must be stored in compliance with current norms.

- Never use the heater anywhere where petrol, paint solvents or other highly inflammable vapours are present.

- While using the heater, follow all local ordinances and current norms.

- Heaters used in the proximity of tarpaulins, curtains or other covering materials must be situated at a safe distance following regulations. It is also recommended to use fireproof materials. These materials should be fixed safely so as to ensure that they do not catch fire and are not blown by the wind.

- Only use in locations where there are no inflammable fumes or high concentrations of dust.

- Power the heater only with electric power that has the voltage,

frequency and number of phases specified on the identification label.

- Only use earthed three-wire extension cords.
- In order to avoid the risk of fire, make sure the heater is on a firm, flat surface when it is being used or is hot.
- When moving or storing the heater, keep it level to avoid fuel loss.
- Keep children and animals away from the heater.
- Disconnect the heater from the mains supply when not in use.
- When controlled by a thermostat, the heater may come on at any moment.
- Never use the heater in frequently used rooms or in bedrooms.
- Never obstruct the air intake (rear end) or the air output (front end) of the heater.
- When the heater is hot, connected to the mains supply or in use, it must never be moved, handled, filled up with fuel or serviced in any way.

REMOVING THE HEATER FROM THE PACKAGE

1. Remove all the packaging materials used to protect the heater during transport.
2. Lift the cardboard box.
3. Remove all the materials that fix the heater to the pallet.
4. Remove all the materials that fix the stack to the pallet (for series BV only).
5. Place the stack on the fume discharge pipe (for series BV only).
6. Delicately lower the heater on the platform.
7. Verify that the machine has not been damaged during transport. If the heater appears damaged, promptly report all visible damages to the dealer where it has been bought.

PACKING AND STORAGE

1. Verify that the heater is not damaged and that there are no fuel leaks. Remove the residual fuel from the reservoir.
2. Place the heater on the pallet and fix it in place using appropriate materials.
3. Remove the stack and fix it on the pallet using appropriate materials.
4. Cover the heater with the cardboard box.
5. Fix the cardboard box on the pallet using appropriate materials.
6. Store the heater in safe and dry place. Do not stack several units.

STARTING THE HEATER

Before turning on the heater and therefore before attaching it to the mains power supply, check that the characteristics of the mains power supply are the same as those indicated on the identification label.

WARNING:The electric power cable of the heater must be earthed and must have a differential magnetothermal switch. The electric plug must be connected to a socket which has a disconnecting switch.

The heater can only work automatically when a control mechanism, for example a thermostat or clock, is connected to it by attaching the cable to terminals 2 and 3 of plug 2 (Fig.6) supplied

with the product (the electric wire that links the two terminals must be removed and remounted only if the heater is to be used without the control mechanism).

To turn on the machine, do the following:

- If the control mechanism is connected, adjust it so that the machine can function (for example, the thermostat must be set to the maximum temperature).
- Flip switch 3 (Fig.6) to the position with the symbol: ON – the fan comes on and after several seconds the heater starts burning.

The first time the heater is used, or after the fuel circuit has been completely drained, the flow of fuel oil to the nozzle may be insufficient and may activate the flame cut out mechanism, which will turn off the heater; if this happens, wait for about a minute and then press the reset button 1 (Fig.6) to start the machine again.

The first steps to take if the machine does not work are the following:

1. Check that there is fuel in the tank.
2. Press the reset button 1 (Fig.6).
3. If the heater still does not work, consult the "TROUBLESHOOTING" guide.

TURNING OFF THE HEATER

To turn off the machine, move switch 3 (Fig.6) to the "0" position or adjust the control mechanism, for example turning the thermostat to a lower position. The flame will go off and the fan will continue to function until the combustion chamber has cooled down completely.

SAFETY DEVICES

The heater is equipped with an electronic device to control the flame. If there is an anomaly in the functioning, the machine will be turned off and the reset button light 1 (Fig.6) will come on.

An over-heating thermostat cuts in and shuts off the fuel supply if the heater overheats; the thermostat resets itself automatically when the temperature in the combustion chamber diminishes and reaches the maximum permitted value.

Before turning the heater on again, the cause of the overheating must be identified and removed (for example, a blockage in the suction orifice and/or of the air flow duct, the non-functioning of the fan). To turn on the machine again, press the reset button 1 (Fig.6) and repeat the specific instructions outlined in the section "STARTING THE HEATER".

MOVING AND TRANSPORTING THE HEATER

WARNING The following steps must be carried out before moving the heater: turn the heater off, following the instructions in the previous section; disconnect the plug from the power supply and wait for the heater to cool.

Before lifting or moving the heater, make sure that the fuel tank cap is firmly in place.

The heater may be supplied in a portable version, with wheels, or a suspended version, mounted on a support structure and fixed in place with wires or chains. In the former case, to move the heater, simply grasp the support handle and wheel the heater. In the latter case, the heater must be lifted with a fork-lift truck or a similar piece of equipment.

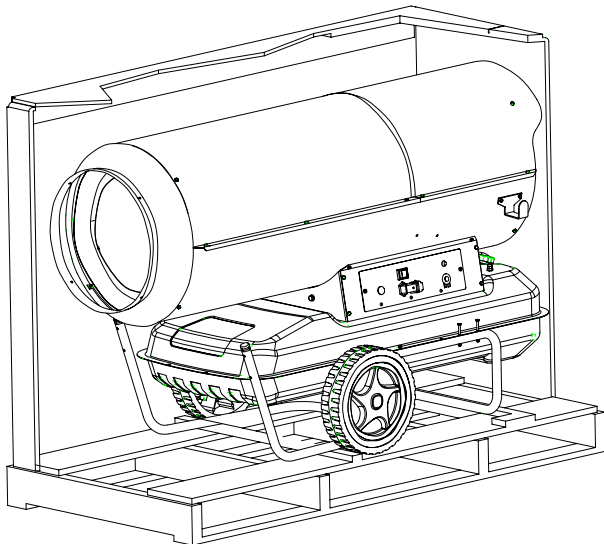
PREVENTATIVE MAINTENANCE PROGRAMME

To ensure that the heater continues to work properly, it is necessary to periodically clean the combustion chamber, the burner and the fan.

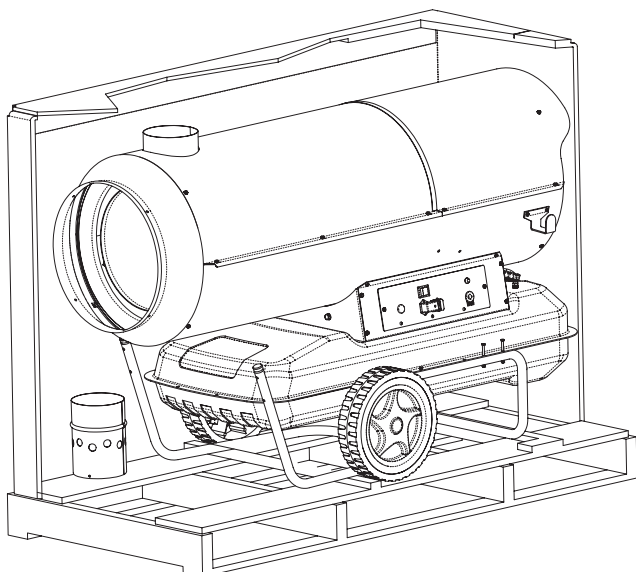
WARNING The following steps must be carried out before servicing the heater: turn the heater off, following the instructions in the previous section; disconnect the plug from the power supply and wait for the heater to cool.

Every 50 hours of use it is necessary to:

- Dismantle the filter cartridge, remove it and clean it with clean fuel oil.
- Remove the exterior cylindrical casing and clean the inside and the blades of the fan.
- Check the condition of the cables and the high voltage connections on the electrodes.
- Dismantle the burner, clean the parts, then clean the electrodes and regulate them to the distance indicated on page 61 in the electrode regulation diagram.

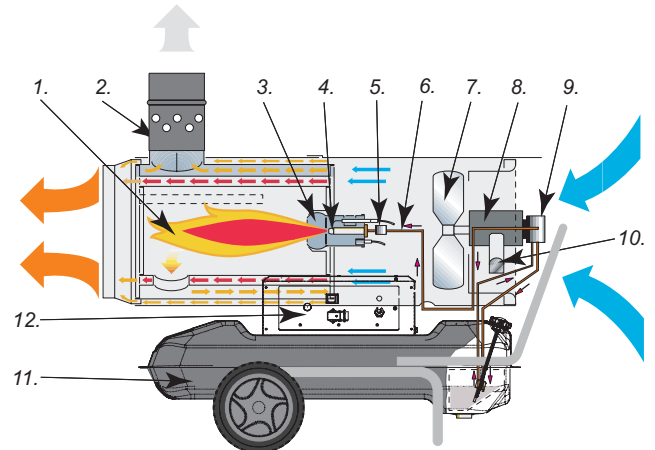


Figur 2 - Direct heater B version.

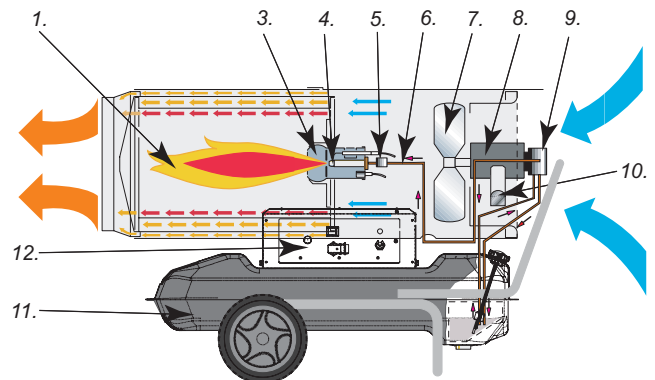


Figur 3 - Indirect heater BV version.

HEATER FUNCTIONING DIAGRAM



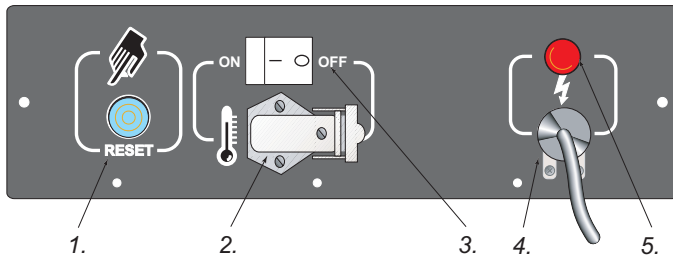
Figur 4 - Heater functioning diagram.



Figur 5 - Heater functioning diagram.

1. Combustion chamber, 2. Anti-wind flue connection, 3. Burner, 4. Nozzle, 5. Electric fuel valve, 6. Fuel circuit, 7. Fan, 8. Motor, 9. Fuel pump, 10. Cable winding bracket, 11. Fuel tank, 12. Control panel.

ELECTRIC CONTROL PANEL



1. RESET button, 2. Socket for ambient thermostat, 3. Main cable, 4. Power cable, 5. Power indicator.

Figur 6 - Electric control panel.

TROUBLESHOOTING

Observed fault	Possible cause	Solution
The fan does not come on and the flame does not light	<ol style="list-style-type: none"> 1. No electric current 2. Incorrect setting on the control mechanism (if fitted) 3. Faulty control mechanism 4. Motor winding burnt out or broken 	<ol style="list-style-type: none"> 1a Check the characteristics of the electrical system (230V - 1~ - 50 Hz) 1b Check that the switch works and is in the correct position 1c Check that the fuse has not blown 2 Check that the control mechanism setting is correct (e.g.the temperature setting on the thermostat must be higher than the ambient temperature) 3 Replace the control mechanism 4 Replace the motor
The fan comes on but the flame does not light or does not remain lit	<ol style="list-style-type: none"> 1. Ignitor is not functioning 2. Faulty flame cut out mechanism 3. Non-functioning photoelectric cell 4. Fuel is not reaching the burner or a sufficient amount is not arriving 5. Electric valve is not functioning 	<ol style="list-style-type: none"> 1a Check the connections of the ignition cables to the electrodes and transformer 1b Check the position of the electrodes and the distance between them, in accordance with the diagram 1c Check that the electrodes are clean 1d Replace the ignition transformer 2 Replace the mechanism 3 Clean or replace the photoelectric cell 4a Check that the connection between the pump and the motor is intact 4b Check that air has not filtered into the fuel circuit, checking the tubes and the filter seal 4c Clean or, if necessary, replace the nozzle 5a Check the electrical connection 5b Check the LI thermostat 5c Clean or, if necessary, replace the electric valve
The fan comes on and the flame lights, but produces smoke	<ol style="list-style-type: none"> 1 Insufficient air for combustion 2 Too much air for combustion 3 Fuel is dirty or contains water 4 Air has filtered into the fuel circuit 5 Inadequate quantity of fuel in burner 6 Too much fuel in burner 	<ol style="list-style-type: none"> 1a Remove anything blocking or obstructing the aspiration and/or airflow ducts 1b Check the position of the air regulation ring 1c Clean the burner disc 2 Check the position of the air regulation ring 3a Replace the fuel with clean fuel 3b Clean the fuel filter 4 Check the condition of the tubes and the seal of the fuel filter 5a Check the pump pressure 5b Clean or replace the nozzle 6a Check the pump pressure 6b Replace the nozzle
The heater does not switch off	<ol style="list-style-type: none"> 1. Defective electric valve seal 	<ol style="list-style-type: none"> 1. Replace the electric valve part
The fan does not switch off	<ol style="list-style-type: none"> 1. Faulty fan thermostat 	<ol style="list-style-type: none"> 2. Replace the FA thermostat

INHALT

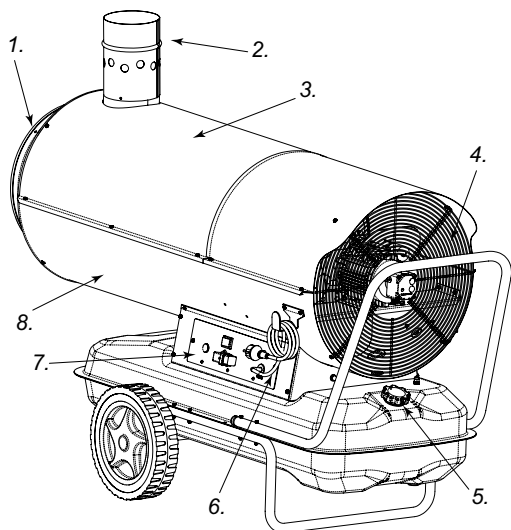
BESCHREIBUNG DER GERÄTETEILE	11
SICHERHEITSHINWEISE	11
AUSPACKEN	12
INBETRIEBNAHME	12
AUSSCHALTEN	12
SICHERHEITSVORRICHTUNGEN	12
TRANSPORT UNDBEWEGUNG	12
PRÄVENTIVES WARTUNGSPROGRAMM	13
BETRIEBSSCHEMA	13
SCHALTAFEL	14

**SICHERHEITSHINWEISE
WARNUNGEN**

WICHTIG: Lesen Sie die Betriebsanleitung aufmerksam und ganz durch, bevor Sie mit Montage, Inbetriebnahme oder Wartung des Geräts beginnen. Der unsachgemäße Gebrauch des Heißluftgenerators kann zu schweren Verletzungen und zum Tod durch Verbrennungen, Hausbrand, Explosion, elektrische Schläge oder Vergiftung durch Kohlenmonoxid führen.

GEFAHR: Die Vergiftung durch Kohlenmonoxid kann zum Tod führen!

BESCHREIBUNG DER GERÄTETEILE



- 1. Luftauslass,
- 2. Anschlussrohr,
- 3. Obergehäusehälfte,
- 4. Ventilatorgitter,
- 5. Tankdeckel mit einer Sonde, die das Treibstoffniveau angibt,
- 6. Stromversorgungskabel,
- 7. Schalttafel,
- 8. Untere Gehäusehälfte

Die Serie B umfasst Warmluftgeneratoren mit direkter Heizwirkung, die die nach außen abgegebene Wärme mit den Verbrennungsrückständen mischen. Aus diesem Grund sind sie besonders für offene Räume oder Räume mit ständigem Luftaustausch geeignet, in denen man heizen, auftauen oder trocknen will.

Die Serie BV hingegen umfasst Warmluftgeneratoren mit indirekter Heizwirkung, bei denen dank eines Wärmeaustauschers die nach der Verbrennung verbliebenen Gase von der nach außen abgegebenen Wärme getrennt werden. Dadurch ist es möglich, saubere Warmluft in den zu erwärmenden Raum zu blasen und die Abgase nach außen zu leiten.

Die Serien B und BV richten sich, was Sicherheit, Funktionalität und Dauer betrifft, nach neuesten Kriterien: Sicherheitsvorrichtungen garantieren die korrekte Funktion des Geräts, die Betriebsgeräusche wurden auf ein Minimum reduziert und die sorgfältige Auswahl der Materialien machen es äußerst zuverlässig.

Dank der Reifen kann das Heizgerät bequem umgestellt werden, es existiert darüber hinaus in einer Version, die an der Decke angebracht wird. Die große Leistungsautonomie und die Möglichkeit, ein Thermostat einzusetzen gewähren dem Benutzer größtmögliche Freiheit in der Anwendung. Ein außen angebrachter Anzeiger erlaubt es, schnell zu überprüfen, wie viel Brennstoff noch im Tank ist, und ihn eventuell nachzufüllen.

Vergiftung durch Kohlenmonoxid Die ersten Symptome einer Kohlenmonoxidvergiftung ähneln jenen einer Erkältung, mit Kopfschmerzen, Schwindelgefühlen und/oder Übelkeit. Diese Symptome könnten auf ein fehlerhaftes Funktionieren des Heißluftgenerators zurückzuführen sein. Gehen Sie sofort ins Freie! Lassen Sie das Gerät reparieren. Einige Menschen reagieren besonders empfindlich auf die Wirkung des Kohlenmonoxids, insbesondere schwangere Frauen, Menschen mit Herz- oder Lungenkrankheiten, Anämiekranken, Angetrunkene, generell alle Menschen in höheren Lagen.

Seien Sie sicher, alle Sicherheitshinweise gelesen und verstanden zu haben. Bewahren Sie diese Betriebsanleitung auf, um darin nachschlagen zu können; sie dient Ihnen als Hilfe beim sicheren und sachgemäßen Umgang mit dem Heißluftgenerator.

- Verwenden Sie ausschließlich Leichtöl Nr.1, um jede Brand- oder Explosionsgefahr zu vermeiden. Verwenden Sie niemals Benzin, Diesel, Lösungsmittel für Lacke, Alkohol oder andere leicht entflammare Brennstoffe.

Befüllung

- a) Das mit der Befüllung betraute Personal muss qualifiziert und absolut mit den Anweisungen des Herstellers und den geltenden Vorschriften für die sichere Befüllung von Heißluftgeneratoren vertraut sein.
- b) Verwenden Sie ausschließlich den Brennstoff, der ausdrücklich auf dem Typenschild des Heißluftgenerators angegeben ist.
- c) Bevor Sie das Gerät befüllen, löschen Sie alle Flammen, einschließl. der Pilotflamme, und warten Sie, bis der Generator abgekühlt ist.
- d) Kontrollieren Sie während der Befüllung alle Brennstoffleitungen und die entsprechenden Verbindungen, um einen eventuellen Ölverlust festzustellen. Jedes Leck muss repariert werden, bevor der Heißluftgenerator wieder in Betrieb genommen wird.
- e) Unter keinen Umständen darf im selben Gebäude, also in der Nähe des Heißluftgenerators, eine größere Menge Brennstoff gelagert werden, als notwendig ist, um das Gerät einen Tag lang zu betreiben. Das Brennstofflager muss sich in einem anderen Gebäude befinden.
- f) Alle Brennstofftanks müssen sich in einem Mindestabstand von 7 m von Heizgeräten, Knallgasbrennern, Schweißgeräten und ähnlichen Zündquellen befinden (mit Ausnahme des in den Generator integrierten Brennstofftanks).
- g) Wann immer möglich muss der Brennstoff in Räumen aufbewahrt werden, deren Boden kein Eindringen und Durchsickern des Brennstoffes auf darunterliegende Flammen erlaubt, die dessen Entzündung verursachen würden.
- h) Die Aufbewahrung des Brennstoffes muss unter Einhaltung der geltenden Vorschriften erfolgen.
- Der Heißluftgenerator darf nie in Räumen benutzt werden, in denen sich Benzin, Lösungsmittel für Lacke oder andere leicht entflammare Dämpfe befinden.
- Bei der Benutzung des Heißluftgenerators müssen alle lokalen

Bestimmungen und geltenden Vorschriften beachtet werden.

- Heißluftgeneratoren, die in der Nähe von Planen, Vorhängen oder ähnlichen Abdeckungen verwendet werden sollen, müssen in geeignetem Sicherheitsabstand dazu aufgestellt werden. Der empfohlene Mindestsicherheitsabstand beträgt 304,8 cm. Wir empfehlen auch, feuerhemmende Abdeckmaterialien zur Verwendung. Diese Materialien müssen sicher befestigt sein, um zu verhindern, dass sie Feuer fangen und etwa durch den Wind mit dem Gerät in Berührung kommen.
- Verwenden Sie das Gerät nur in Räumen, in denen sich keine entflammenden Dämpfe oder hohe Staubkonzentration befinden.
- Schließen Sie das Gerät nur an die Stromversorgung an, wenn deren Spannung, Frequenz und Phasenanzahl den auf dem Typenschild angegebenen Werten entsprechen.
- Verwenden Sie ausschließlich dreidrigge Verlängerungskabel, die entsprechend geerdet sind.
- Stellen Sie den warmen oder laufenden Heißluftgenerator auf eine stabile und ebene Oberfläche, um Brandgefahr zu vermeiden.
- Auch wenn das Gerät bewegt oder aufbewahrt wird, muss es immer gerade stehen, um ein Austreten des Brennstoffes zu verhindern.
- Halten Sie Kinder und Tiere fern.
- Nehmen Sie das Gerät vom Stromnetz, wenn Sie es nicht benutzen.
- Denken Sie daran, dass sich das Gerät jederzeit einschalten kann, wenn es über einen Thermostat gesteuert wird.
- Verwenden Sie den Heißluftgenerator nie in häufig genutzten oder gar Schlafräumen.
- Verdecken Sie niemals die Luftansaugung (Rückseite) oder den Luftauslass (Vorderseite) des Heißluftgenerators.
- Wenn der Heißluftgenerator warm, an das Stromnetz angeschlossen oder in Betrieb ist, darf er weder verstellt, bewegt, befüllt noch auf irgendeine Art gewartet werden.

AUSPACKEN

1. Sämtliche Materialien, mit denen das Heizgerät für den Transport verpackt war, entfernen.
2. Die Pappverpackung anheben.
3. Die Materialien entfernen, mit denen das Gerät an der Palette befestigt ist.
4. Die Materialien, mit denen der Abzug an der Palette befestigt ist, entfernen (nur Serie BV).
5. Den Abzug auf dem Entlüftungsrohr befestigen (nur Serie BV).
6. Das Heizgerät vorsichtig herunterheben.
7. Das Gerät sofort danach untersuchen, ob es während des Transports Schäden erlitten hat. Sollte es beschädigt erscheinen, unverzüglich den Vertragshändler, bei dem es gekauft wurde, informieren.

VERPACKUNG UND LAGERUNG

1. Kontrollieren, dass das Gerät nicht beschädigt ist, besonders dass es keinen Brennstoff verliert. Den restlichen Treibstoff aus dem Tank entfernen.
2. Das Gerät auf die Palette stellen und mit geeigneten Materialien befestigen.
3. Den Abzug abmontieren und mit geeigneten Materialien auf der Palette befestigen.
4. Das Gerät mit der Kartonverpackung abdecken.
5. Die Kartonverpackung mit geeigneten Materialien auf der Palette befestigen.
6. Das Gerät an einem geeigneten, trockenen Ort lagern und

nicht mehr als zwei Geräte übereinander stapeln.

INBETRIEBNAHME

Bevor Sie den Heißluftgenerator in Betrieb nehmen und ihn an die Stromversorgung anschließen, überprüfen Sie, ob die Eigenschaften der Stromversorgung den auf dem Typenschild angegebenen Werten entsprechen.

WARNUNG: Der Stromkreis, an den der Heißluftgenerator angeschlossen wird, muss geerdet und mit einem thermomagnetischen Schutzschalter versehen sein. Der Stecker des Geräts muss an eine Steckdose mit Trennschalter angeschlossen werden.

Der Heißluftgenerator kann nur automatisch funktionieren, wenn ein Steuergerät, etwa ein Thermostat oder eine Zeitschaltuhr, an das Gerät angeschlossen ist; dessen Kabel muss an die Klemmen 2 und 3 des mit dem Gerät gelieferten Steckers (Abb. 6) angeschlossen werden (die Brücke, die die beiden Klemmen verbindet, muss entfernt und nur, wenn das Gerät wieder ohne Steuergerät funktionieren soll, wieder angebracht werden).

Um die Maschine in Betrieb zu nehmen, muss:

- wenn ein solches angeschlossen ist, das Steuergerät so geregelt sein, dass es einen Betrieb zulässt (der Thermostat z.B. muss auf Maximaltemperatur eingestellt sein);
- der Schalter 3 (Abb. 6) in die Stellung mit dem Symbol ON gebracht werden: der Ventilator läuft an und nach einigen Sekunden setzt die Verbrennung ein.

Bei der ersten Inbetriebnahme oder nach einer kompletten Entleerung der Ölleitung kann der Öldruck an der Düse zu niedrig sein und einen Eingriff der Flammenüberwachung hervorrufen, die den Generator anhält; in diesem Fall warten Sie etwa eine Minute und drücken dann die Reset-Taste 1 (Abb. 6), um das Gerät neu zu starten. Wenn das Gerät nicht funktioniert, unternehmen Sie folgende Schritte:

1. Überprüfen Sie, dass der Tank noch Brennstoff enthält;
2. drücken Sie die Reset-Taste 1 (Abb. 6);
3. wenn der Generator nach diesen Maßnahmen nicht funktioniert, schlagen Sie unter "STÖRUNGEN UND DEREN BEHEBUNG" nach und suchen Sie dort nach der Ursache dafür.

AUSSCHALTEN

Um das Gerät auszuschalten, muss der Schalter 3 (Abb. 6) auf "0" gestellt werden oder auf das Steuergerät eingewirkt werden, zum Beispiel, indem Sie den Thermostat auf eine niedrigere Temperatur einstellen. Die Flamme geht aus, der Ventilator läuft weiter, bis die Brennkammer vollständig abgekühlt ist.

SICHERHEITSVORRICHTUNGEN

Der Generator verfügt über eine elektronische Flammenüberwachung. Wenn eine oder mehrere Betriebsstörungen auftreten, bewirkt diese den Stillstand des Geräts und die Beleuchtung der Reset-Taste 1 (Abb. 6).

Wenn der Generator überhitzt ist, greift ein Überhitzungsthermostat ein und bewirkt die Unterbrechung der Brennstoffversorgung; der Thermostat stellt sich selbst zurück, wenn die Temperatur der Brennkammer auf den erlaubten Maximalwert gefallen ist. Bevor der Generator wieder in Betrieb genommen wird, muss die Ursache für die Überhitzung gefunden und beseitigt werden (z.B. Verstopfung von Luftansaugung oder Luftauslass oder Stillstand des Ventilators). Um das Gerät neu zu starten, drücken Sie die Reset-Taste 1 (Abb. 6) und befolgen Sie die Anweisungen des Abschnitts "INBETRIEBNAHME".

TRANSPORT UNDBEWEGUNG

WARNUNG Bevor das Gerät bewegt wird: schalten Sie das Gerät nach den Anweisungen des vorhergehenden Abschnitts aus; unterbrechen Sie die Stromversorgung, indem Sie den Stecker ziehen und lassen Sie den Heißluftgenerator abkühlen.

Bevor das Gerät angehoben oder bewegt wird, versichern Sie sich, dass der Deckel des Tanks sicher verschlossen ist. Der Heißluftgenerator ist als transportables Gerät mit Rollen lieferbar oder in einer Hängeversion, die auf eine Stützkonstruktion mit Verankerungen für die Befestigung mit Ketten und Seilen montiert ist. Im ersten Fall kann das Gerät einfach am Handgriff genommen und gerollt werden. Im zweiten Fall ist es notwendig, einen Gabelstapler oder ein ähnliches Gerät einzusetzen, um es zu bewegen.

PRÄVENTIVES WARTUNGSPROGRAMM

Für einen einwandfreien Betrieb des Heißluftgenerators ist es notwendig, regelmäßig die Brennkammer, den Brenner und den Ventilator zu reinigen.

WARNUNG Vor dem Beginn jeglicher Wartung: schalten Sie das Gerät nach den Anweisungen des vorhergehenden Abschnitts aus; unterbrechen Sie die Stromversorgung, indem Sie den Stecker ziehen und lassen Sie den Heißluftgenerator abkühlen.

- Nach jeweils 50 Betriebsstunden ist es notwendig:
- die Filterkartusche abzumontieren, zu entnehmen und mit sauberem Öl zu reinigen;
 - die Außenverkleidung abzunehmen, das Innere des Geräts und die Ventilatorflügel zu reinigen;
 - den Zustand der Kabel und der Hochspannungsverbindungen der Elektroden zu überprüfen;
 - den Brenner abzumontieren und dessen Teile zu reinigen, die Elektroden zu reinigen und deren Abstand auf die auf S.61 angegebenen Werte einzustellen.

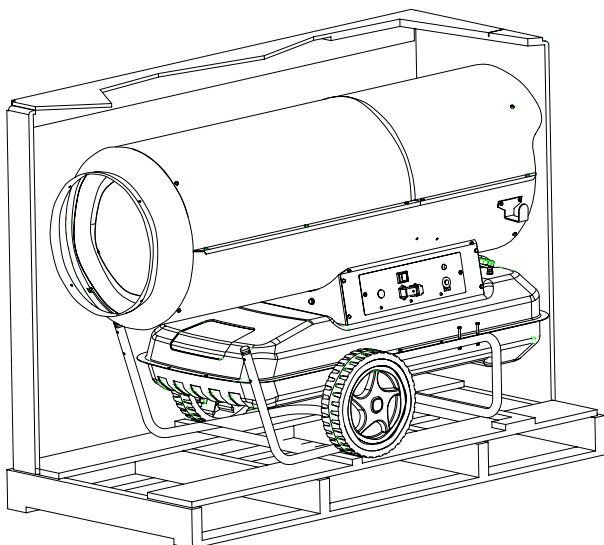


Abbildung 2 - Direct heater B version.

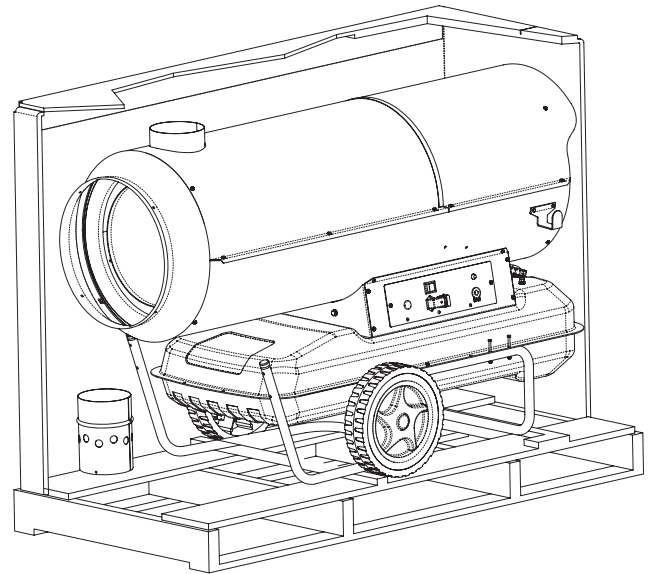


Abbildung 3 - Indirect heater BV version.

ARBEITSWEISE

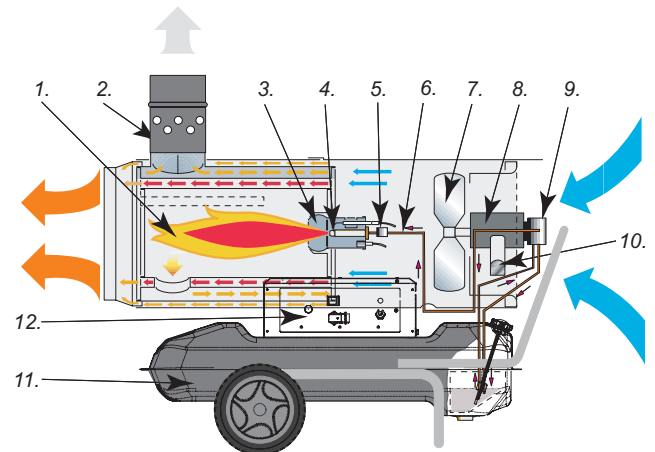


Abbildung 4 - Betriebsschema BV.

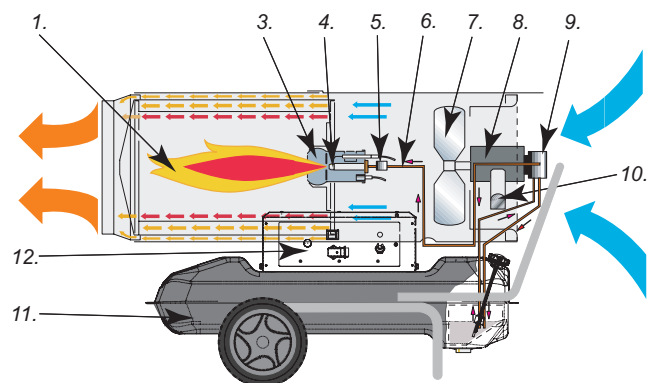
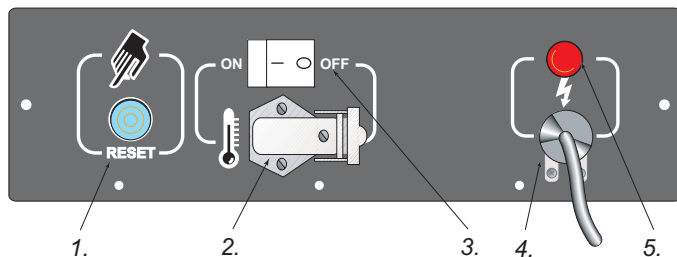


Abbildung 5 - Betriebsschema B.

1. Brennkammer, 2. Kamin-Anschlussrohr mit Windschutz, 3. Brenner, 4. Düse, 5. Elektrisches Brennstoffventil, 6. Brennstoffleitung, 7. Ventilator, 8. Motor, 9. Ölpumpe, 10. Kabelauffrollvorrichtung, 11. Brennstofftank, 12. Schalttafel.

SCHALTТАFEL



1. RESET taste, 2. Steckvorrichtung für den Raumthermostat, 3. Hauptschalter, 4. Stromversorgungskabel, 5. Power indicator.

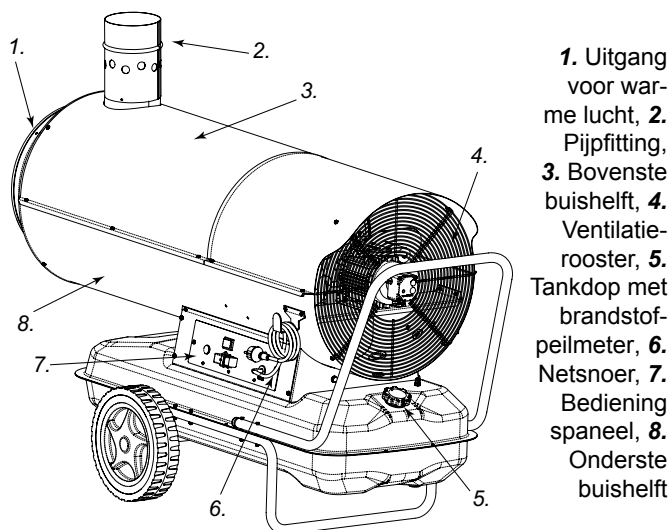
Abbildung 6 - Schalttafel.

STÖRUNGEN UND DEREN BEHEBUNG

BEOBSACHTETE STÖRUNG	MÖGLICHE URSACHE	BEHEBUNG
Der Ventilator startet nicht und die Flamme geht nicht an	1 Keine Stromversorgung 2 Fehlerhafte Regelung des Steuergeräts 3 Steuergerät ist defekt 4 Motorwicklung ist durchgebrannt oder durchtrennt	1a Eigenschaften der Stromversorgung überprüfen (230V - 1~ - 50 Hz) 1b Funktionieren und Stellung des Schalters überprüfen 1c Schmelzsicherung überprüfen 2 Regelung des Steuergeräts überprüfen (z.B.: eingestellte Temp. muss höher als Raumtemp. sein) 3 Steuergerät ersetzen 4 Motor ersetzen
Der Ventilator startet und die Flamme geht nicht an oder bleibt nicht an	1 Zündung funktioniert nicht 2 Flammenüberwachung ist defekt 3 Fotozelle funktioniert nicht 4 Es gelangt kein oder nicht genügend Öl in den Brenner 5 Elektroventil funktioniert nicht	1a Verbindungen der Zündkabel zu den Elektroden und zum Transformator überprüfen 1b Stellung der Elektroden und deren Abstand gemäß Schema auf S.8 überprüfen 1c Sauberkeit der Elektroden überprüfen 1d Zündtransformator ersetzen 2 Gerät ersetzen 3 Fotozelle reinigen oder ersetzen 4a Kupplungsstück Pumpe-Motor überprüfen 4b Brennstoffleitung auf Luft überprüfen, Schläuche und Filterdichtung überprüfen 4c Düse reinigen und wenn nötig ersetzen 5a Stromanschluss überprüfen 5b LI-Thermostat überprüfen 5c Elektroventil reinigen und wenn nötig ersetzen
Der Ventilator startet und die Flamme geht an, raucht aber	1 Verbrennungsluft reicht nicht aus 2 Zu viel Verbrennungsluft 3 Verwendeter Brennstoff ist schmutzig oder enthält Wasser 4 Luft in der Brennstoffleitung 5 Ölmenge im Brenner reicht nicht aus 6 Zu viel Öl im Brenner	1a Alle möglichen Hindernisse und Verstopfungen an Luftansaugung bzw. -auslass entfernen 1b Stellung des Luftzufuhr-Kontrollrings überprüfen 1c Stauscheibe reinigen 2 Stellung des Luftzufuhr-Kontrollrings überprüfen 3a Verwendetes Öl durch frisches Öl ersetzen 3b Ölfilter reinigen 4 Dichte der Schläuche und der Ölfilterdichtung überprüfen 5a Wert des Pumpendruckes überprüfen 5b Düse reinigen oder ersetzen 6a Wert des Pumpendruckes überprüfen 6b Düse ersetzen
Der Generator bleibt nicht stehen	1 Dichtung des Elektroventils ist defekt	1 Gehäuse des Elektroventils ersetzen
Der Ventilator bleibt nicht stehen	1 Ventilatorthermostat ist defekt	1 FA-Thermostat ersetzen

INDEX

PRESENTATIE VAN PRODUCT	23
VEILIGHEIDSINFORMATIE	23
UITPAKKEN	24
INGEBRUIKNAME	24
UITSCHAKELING	24
VEILIGHEIDSVOORZIENINGEN	24
TRANSPORT EN VERPLAATSING	24
PREVENTIEF ONDERHOUD-SPROGRAMMA	25
OVERZICHT VAN DE WERKING	25
ELEKTRISCH CIRCUIT	26
IDENTIFICATIE VAN PROBLEMEN	26

**PRESENTATIE VAN PRODUCT
"B" EN "BV"**

1. Uitgang voor warme lucht, 2. Pijpfitting, 3. Bovenste buishelft, 4. Ventilatorrooster, 5. Tankdop met brandstofpeilmeter, 6. Netsnoer, 7. Bedieningspaneel, 8. Onderste buishelft

De B-serie omvat warmeluchtgeneratoren met directe verwarming die de aan de omgeving afgegeven warmte met de verbrandingsresten mengt. Dit maakt deze generatoren bijzonder geschikt voor gebruik in open omgevingen en omgevingen waar met hoge luchtcirculatie, waar verwarming, ontdooiing of droging nodig is.

De BV-serie omvat daarentegen warmeluchtgeneratoren met indirecte verwarming die dankzij een warmtewisselaar de verbrandingsgasresten kunnen scheiden van de warmte die aan de omgeving wordt afgegeven. Zo gaat er een schonere warmeluchtstroom naar de te verwarmen omgeving en worden de rookgassen afgevoerd.

De B- en BV-serie zijn ontwikkeld op basis van de meest actuele criteria op het gebied van veiligheid, functionaliteit en duurzaamheid: veiligheidsvoorzieningen zorgen ervoor dat het apparaat altijd correct functioneert, het geluidsniveau is minimaal en een zorgvuldige materiaalselectie staat garant voor optimale betrouwbaarheid.

Dankzij de luchtbanden kunnen de verwarmingsapparaten gemakkelijk worden verplaatst. En het hangmodel kan gemakkelijk aan het plafond worden gehangen. Dankzij de autonome werking en de mogelijkheid tot gebruik op basis van thermostaatregeling, biedt dit apparaat bijzonder flexibele gebruiksmogelijkheden. Aan de hand van een externe indicator kan snel worden gecontroleerd hoeveel brandstof de tank bevat om te bepalen of deze moet worden bijgevuld.

**VEILIGHEIDSINFORMATIE
WAARSCHUWINGEN**

! BELANGRIJK: lees de hele bedieningshandleiding zorgvuldig voordat u begint met de montage, ingebruikname of onderhoud van deze verwarmers. Het gebruik van de verwarmers kan ernstig of dodelijk letsel veroorzaken ten gevolge van verbranding, vuur, explosie, elektrische schokken of koolmonoxidevergiftiging.

! GEVAAR: koolmonoxidevergiftiging kan dodelijk zijn!

Koolmonoxidevergiftiging De eerste symptomen van koolmonoxidevergiftiging lijken op die van griep: hoofdpijn, duizeligheid en/of misselijkheid. Dergelijke symptomen kunnen worden veroorzaakt door een gebrekkige werking van de verwarmers. **Begeef u onmiddellijk in debuitenlucht!** Laat de verwarmers gerepareerd worden. Bepaalde personen hebben extra te lijden van de effecten van koolmonoxidevergiftiging: zwangere vrouwen, hart- en longpatiënten, personen met bloedarmoede, personen onder invloed van alcohol en bewoners van hooggelegen gebieden. Zorg ervoor dat u alle waarschuwingen gelezen en begrepen hebt.

Bewaar deze handleiding om deze in de toekomst opnieuw te kunnen raadplegen: deze dient als gids voor een veilig en correct gebruik van de verwarmers.

- Gebruik uitsluitend eersteklas brandolie om brand- en explosiegevaar te vermijden. Gebruik nooit benzine, stookolie, verpoflosmiddelen, alcohol of andere makkelijk ontvlambare brandstoffen.
- Bijvullen
 - a) Het personeel belast met het bijvullen dient gekwalificeerd te zijn en volledig vertrouwd te zijn met de instructies van de fabrikant en de geldende normen met betrekking tot het veilig bijvullen van verwarmers.
 - b) Gebruik uitsluitend het type brandstof dat specifiek is vermeld op het identificatieplaatje van de verwarmers.
 - c) Doof voor het bijvullen eerst alle vlammen, inclusief de waakvlam, en wacht tot de verwarmers is afgekoeld.
 - d) Inspecteer tijdens het bijvullen alle brandstofleidingen en fittingen op eventuele lekken. Eventuele lekken dienen te worden gerepareerd voordat de verwarmers opnieuw in gebruik wordt genomen.
 - e) In geen enkel geval mag men in de buurt van de verwarmers in hetzelfde gebouw meer brandstof opslaan dan nodig is om de verwarmers een dag te laten werken. De brandstofreservoirs moeten zich in een afzonderlijke accommodatie bevinden.
 - f) Alle brandstoftanks moeten zich minimaal op een afstand van verwarmers, lasbranders, soldeerapparatuur en soortgelijke ontstekingsbronnen (met uitzondering van de brandstoftank die in de verwarmers is ingebouwd).
 - g) De brandstof dient zo mogelijk te worden opgeslagen in ruimten met vloerbedekking die het niet mogelijk maakt dat de brandstof vlammen bereikt waardoor deze in brand kan vliegen.
 - h) Bij de opslag van brandstof dienen de geldende normen in acht te worden gehouden.
- Gebruik de verwarmers nooit in ruimten waar benzine, verpoflosmiddelen of andere zeer ontvlambare dampen aanwezig zijn.
- Neem tijdens het gebruik van de verwarmers alle plaatselijke verordeningen en geldende normen in acht.
- Verwarmers die in de buurt van textiel, gordijnen of an-

der vergelijkbaar materiaal worden gebruikt dienen op een veilige afstand daarvan te worden geplaatst. Bovendien wordt het gebruik van vuurvast afdekkingsmateriaal aanbevolen. Dergelijk materiaal dient stevig te worden vastgezet, om te vermijden dat dit vlam vat en om te voorkomen dat de wind vat krijgt op de verwarmers.

- Gebruik het toestel uitsluitend om ruimten waarin geen ontvlambare dampen of hoge concentraties stof aanwezig zijn.
- Sluit de verwarmers uitsluitend aan op een voedingsbron met de spanning, frequentie en polariteit die zijn aangegeven op het identificatieplaatje.
- Gebruik uitsluitend geaarde driedraads verlengsnoeren.
- Plaats een warme of werkende verwarmers op een stabiel en egaal oppervlak, om brandgevaar te vermijden.
- Houd de verwarmers bij verplaatsing of opslag rechtop, om te voorkomen dat er brandstof uit loopt.
- Houd kinderen en dieren uit de buurt van de verwarmers.
- Koppel de verwarmers los van de netvoeding wanneer deze niet wordt gebruikt.
- Als de verwarmers op een thermostaat werkt, kan deze op elk willekeurig moment aanslaan.
- Gebruik de verwarmers nooit in drukke ruimten of slaapkamers.
- Blokkeer nooit de luchtinlaat (achterkant) of de luchtuitlaat (voorkant) van de verwarmers.
- De verwarmers mag nooit verplaatst, aangepast, bijgevuld of onderhouden worden als de verwarmers warm is.

UITPAKKEN

1. Verwijder al het verpakkingsmateriaal dat is gebruikt ter verpakking van het verwarmingsapparaat tijdens transport.
2. Verwijder het verpakkingskarton.
3. Verwijder alle materialen waarmee de verwarmers aan de pallet is bevestigd.
4. Verwijder alle materialen waarmee de schoorsteen aan de pallet is bevestigd (alleen voor de BV-serie).
5. Sluit de schoorsteen aan op de uitlaat (alleen voor de BV-serie).
6. Haal de verwarmers voorzichtig van het platform af.
7. Verzekert u ervan dat het apparaat tijdens transport geen schade heeft opgelopen. Als de verwarmers beschadigd lijkt, waarschuwt u direct de leverancier bij wie u het apparaat hebt gekocht.

VERPAKKEN EN OPSLAAN

1. Verzekert u ervan dat het apparaat niet is beschadigd en let daarbij speciaal op brandstoflekken. Verwijder de restbrandstof uit de tank.
2. Plaats het apparaat op de pallet en bevestig dit eraan met daarvoor geschikte materialen.
3. Verwijder de schoorsteen en bevestig deze aan de pallet met daarvoor geschikte materialen.
4. Dek het apparaat af met het verpakkingskarton.
5. Bevestig het verpakkingskarton aan de pallet met daarvoor geschikte materialen.
6. Bewaar het apparaat op een geschikte, droge locatie en stapel niet meer dan twee apparaten op elkaar.

INGEBRUIKNAME

Voordat de generator in gebruik wordt genomen, en dus voordat deze op de netvoeding wordt aangesloten, dient u zich ervan te

verzekeren dat de specificaties van de netvoeding overeenkomen met de specificaties op het identificatieplaatje.

WAARSCHUWING: de elektriciteitskabel van de generator moet geaard zijn en voorzien zijn van een magnetothermische aardlekschakelaar. De stekker van de generator dient in een stopcontact voorzien van een stroomonderbreker te worden gestoken.

De generator kan alleen in automatische modus werken als er een besturingseenheid zoals bijvoorbeeld een thermostaat of klok op de generator wordt aangesloten door de kabel van deze eenheid aan te sluiten op contactpunten 2 en 3 van de stekker 2 (Fig. 6) die bij het toestel is geleverd (het elektriciteits snoer dat de twee aansluitpunten met elkaar verbindt dient te worden verwijderd en dient alleen opnieuw aangebracht te worden als u de generator zonder besturingseenheid wilt laten werken).

Voor het opstarten van het toestel gaat u als volgt te werk:

- als er een besturingseenheid is aangesloten, dient u deze zodanig in te stellen dat het toestel in werking kan treden (de thermostaat dient bijvoorbeeld op de maximumtemperatuur te worden ingesteld);
- zet de schakelaar 3 (Fig. 6) in de stand met het symbool: ON de ventilatorslaat aan en na enkele seconden wordt de verbranding gestart.

Bij de eerste ingebruikname of nadat alle olie uit het circuit is verwijderd, is de oliestroom uit de straalpijp mogelijk onvoldoende, zodat de vlamregelaar van het toestel ervoor zorgt dat de generator wordt uitgeschakeld; in dat geval wacht u ongeveer een minuut en drukt u vervolgens op de opstartknop 1 (Fig. 6) om het toestel opnieuw op te starten. Als het toestel niet correct werkt gaat u in eerste instantie als volgt te werk:

1. Verzekert u ervan dat de tank olie bevat;
2. Druk op de opstartknop 1 (Fig. 6);
3. Als de generator hierna nog niet werkt, raadpleegt u de sectie "IDENTIFICATIE VAN PROBLEMEN" om na te gaan wat de oorzaak van het probleem is.

UITSCHAKELING

Om het toestel uit te schakelen dient u schakelaar 3 (Fig. 6) in de stand "0" te zetten of de besturingseenheid afstellen, bijvoorbeeld door de thermostaat op een lagere temperatuur te zetten. De vlam gaat uit en de ventilator blijft werken tot de verbrandingskamer volledig is afgekoeld.

VEILIGHEIDSVORZIENINGEN

De generator is voorzien van een elektronisch instrument ter besturing van de vlam. Als er zich afwijkingen in de werking voordoen zorgt dit instrument ervoor dat het toestel wordt uitgeschakeld en de opstartknop 1 (Fig. 6) wordt geactiveerd. Er wordt een oververhittingsthermostaat geactiveerd die ervoor zorgt dat de olietoevoer wordt onderbroken als de generator oververhit raakt: de thermostaat wordt automatisch opnieuw ingesteld zodra de temperatuur van de verbrandingskamer tot onder het toegestane maximum is gedaald.

Voordat de generator weer in werking wordt gesteld dient de oorzaak van de oververhitting na te worden gegaan (bijvoorbeeld blokkering van de zuigmond en/of luchtstroom of uitschakeling van de ventilator). Om het toestel opnieuw op te starten drukt u op de opstartknop 1 (Fig. 6) en herhaalt u de instructies uit de sectie "INGEBRUIKNAME".

TRANSPORT EN VERPLAATSING

! WAARSCHUWING Voordat u het toestel verplaatst dient u: het toestel uit te schakelen volgens de aanwijzingen uit de voorgaande sectie; de netvoeding uitschakelen door de stekker uit het stopcontact te verwijderen en te wachten tot de generator is afgekoeld.

Voordat de generator wordt opgetild of verplaatst dient u zich ervan te verzekeren dat de dop van de tank goed vast zit. De generator kan als mobiele versie zijn uitgerust met wielen of als wandversie worden bevestigd aan steunen met verankering door middel van kabels of kettingen. In het eerste geval kunt u de generator bij transport simpelweg aan de daarvoor bestemde steun op de wielen vooruit laten rollen. In het tweede geval dient het toestel te worden verplaatst met een heftruck of vergelijkbaar hulpmiddel.

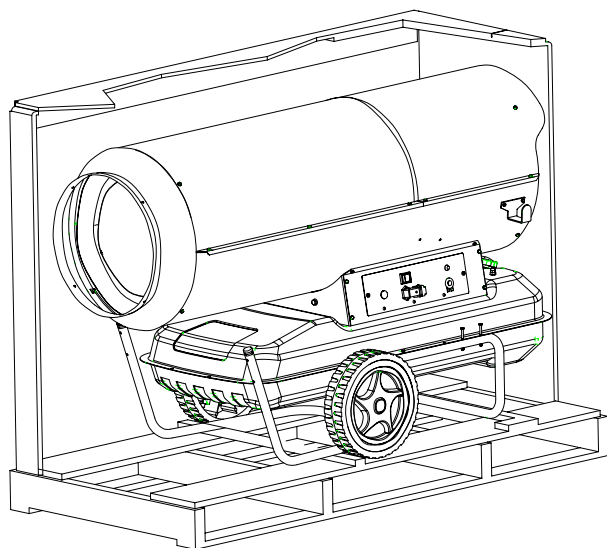
PREVENTIEF ONDERHOUD-SPROGRAMMA

Voor een goede werking van het toestel dienen de verbrandingskamer, de brander en de ventilator regelmatig te worden gereinigd.

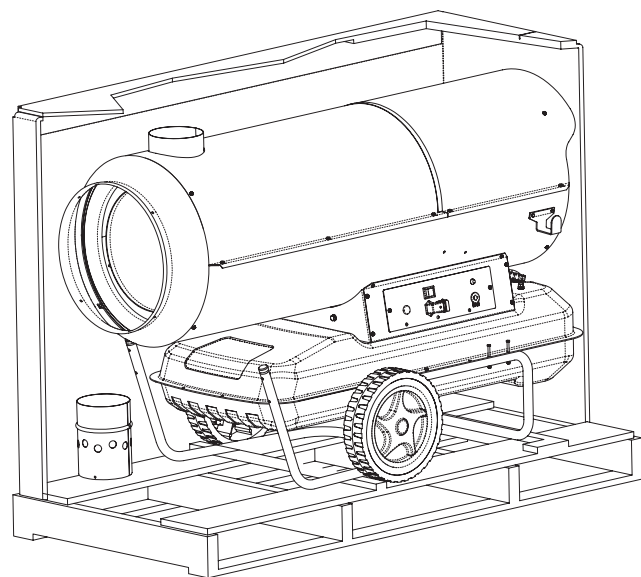
! WAARSCHUWING Voordat er onderhoud op het toestel plaatsvindt dient u: het toestel uit te schakelen volgens de aanwijzingen uit de voorgaande sectie; de netvoeding uitschakelen door de stekker uit het stopcontact te verwijderen en te wachten tot de generator is afgekoeld.

Om de 50 gebruiksuren dient u als volgt te werk te gaan:

- De filtercassette losmaken, uitnemen en reinigen met schone olie;
- De externe cilindervormige beschermkap losmaken, de binnenkant en de schoepen van de ventilator reinigen;
- De staat van de kabels en van de hoogspanningssluitingen op de elektroden controleren;
- De brander losmaken en de onderdelen ervan reinigen; de elektroden reinigen en de afstand ertussen instellen op de waarde die in het afstelschema op pagina 61 wordt aangegeven.

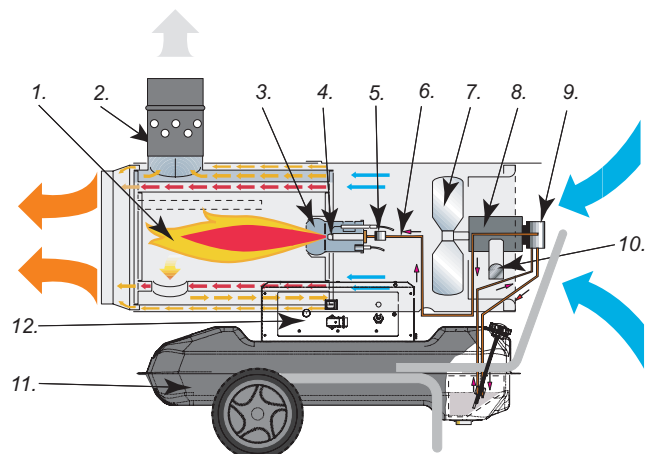


Figuur 2 - Modellen B.

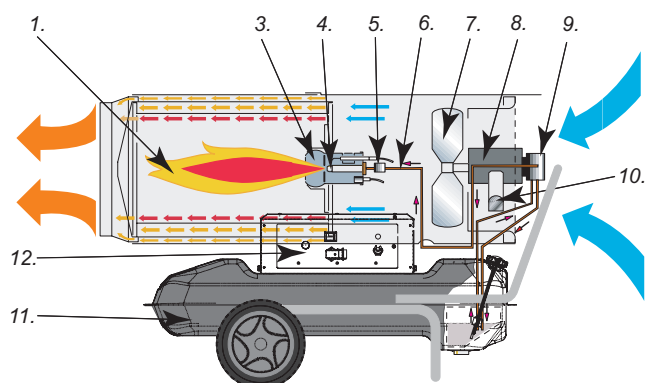


Figuur 3 - Modellen BV.

OVERZICHT VAN DE WERKING



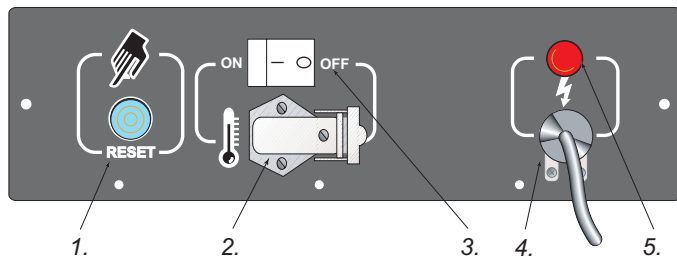
Figuur 4 - Modellen BV.



Figuur 5 - Modellen B.

1. Verbrandingskamer
2. Anti-windrookfitting
3. Brander
4. Straalpijp
5. Elektromagnetische brandstofklep
6. Verbrandingscircuit
7. Ventilator
8. Motor
9. Oliepomp
10. Kabelwikkelnaaf
11. Brandstoftank
12. Bedieningspaneel

ELEKTRISCH CIRCUIT



1. Bouton-poussoir de réarmement, 2. Prise pour thermostat ambiant, 3. Interrupteur principal, 4. Cordon d'alimentation, 5. Témoin de tension.

Figuur 6

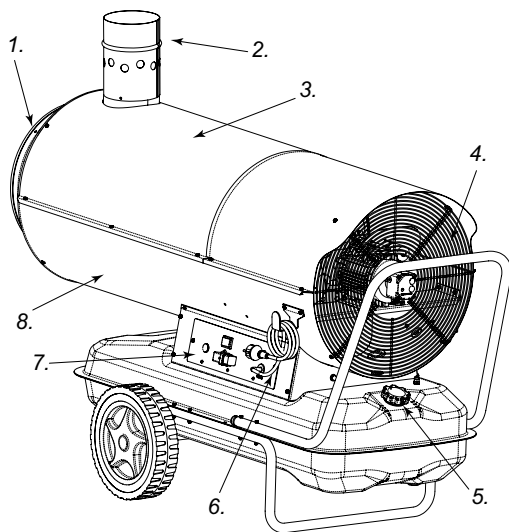
IDENTIFICATIE VAN PROBLEMEN

WAARGENOMEN PROBLEEM	MOGELIJKE OORZAAK	OPLOSSING
De ventilator slaat niet aan en de vlam gaat niet branden	1 Netvoeding ontbreekt 2 Eventuele besturingseenheid is foutief ingesteld 3 Besturingseenheid is defect 4 Wikkeling van de motor is doorgebrand of gebroken	1a Controleer de specificaties van het elektriciteitsnet (230 V - 1~ - 50 Hz) 1b Controleer de werking en de stand van de schakelaar 1c Controleer of de zekering intact is 2 Controleer of de instelling van het controleinstrument correct is (de ingestelde temperatuur van de thermostaat moet bijvoorbeeld hoger zijn dan de kamertemperatuur) 3 Vervang het controle-instrument 4 Vervang de motor
De ventilator slaat aan, maar de vlam gaat of blijft niet branden	1 Ontsteking is defect 2 Vlamcontrole-instrument is defect 3 Detectiecel werkt niet 4 Er komt geen of onvoldoende olie bij de brander terecht 5 Elektromagnetische klep werkt niet	1a Controleer de aansluitingen van de ontstekingskabels op de elektroden en op de transformator 1b Controleer de positie van de elektr. en hun onderlinge afstand aan de hand van het schema op pag. 8 1c Verzeker u ervan dat de elektroden schoon zijn 1d Vervang de ontstekingstransformator 2 Vervang het instrument 3 Reinig of vervang de detectiecel 4a Controleer of de pomp/motor-combinatie intact is 4b Verzeker u ervan dat er geen licht in het oliecircuut terecht is gekomen door de afdichting van de leidingen en van de filterbescherming te controleren 4c Reinig of vervang zondig de straalpijp 5a Controleer de elektrische aansluiting 5b Controleer de LI-thermostaat 5c Reinig en vervang eventueel de elektromagnetische klep
De ventilator slaat aan en de vlam gaat branden, maar produceert rook	1 Te weinig verbrandingslucht 2 Te veel verbrandingslucht 3 Gebruikte olie is vuil of bevat water 4 Er is lucht in het oliecircuut aanwezig 5 Te weinig olie bij de brander 6 Te veel olie bij de brander	1a Verwijder alle mogelijke obstakels van de aanzuigleidingen en/of luchtstroom 1b Controleer de positie van de luchtregelring 1c Reinig de verbrandingsschijf 2 Controleer de positie van de luchtregelring 3a Vervang de gebruikte olie door schone olie 3b Reinig het oliefilter 4 Controleer de afdichting van de buizen en de bescherming van het oliefilter 5a Controleer de waarde van de pompdruk 5b Reinig of vervang de straalpijp 6a Controleer de waarde van de pompdruk 6b Vervang de straalpijp
De generator wordt niet uitgeschakeld	1 Afdichting elektromagnetische klep is defect	1 Vervang de elektromagnetische klep
De ventilator wordt niet uitgeschakeld	1 Thermostaat van de ventilator is defect	1 Vervang de FA-thermostaat

INDHOLDSFORTEGNELSE

OVERSICHT OVER	31
SIKKERHEDSOPLYSNINGER	31
UDPAKNING AF VARMLUFTAPPARATET	32
IGANGSÆTTELSE	32
STANDSNING	32
SIKKERHEDSANORDNINGER	32
TRANSPORT OG BEVÆGELIGHED	32
FOREBYGGENDE VEDLIGEHOLDELSERPROGRAM	33
FUNKTIONSPRINCIP	33
ELEKTRISK PANEL	34
FEJLFINDING	34

OVERSICHT OVER "B" OG "BV"



1. Varm luftudgang,
2. Skorsten tilslutning,
3. Øverste halvskal,
4. Vrtilatorhjul
5. Dæksel med brændstof niveau indikator til brændstofbeholder,
6. Tilførselskabel,
7. Kontrolpanel,
8. Nederste halvskal

Varmluftapparaterne serie B er direkte fyret. De er ideelle til opvarmning, optøning og tørring både udendørs og i rum med frisklufttilførsel.

Varmluftapparaterne serie BV er indirekte fyret. Apparaterne er udstyret med varmevekslere, der adskiller udstødningsgasserne fra den varme luft, som frigøres. Således er det muligt kun at frigøre den rene varme luft til opvarmningen og udføre udstødningsgasserne eksternt.

B og BV varmluftapparater er designet i overensstemmelse med gældende sikkerheds- og udførelsesstandarder, de er påsat sikkerhedsanvisninger for at garantere ensartet og korrekt betjening, støjniveauet er minimalt, og de er fremstillet af udvalgte materialer, der sikrer optimal stabilitet og driftssikkerhed.

Varmluftapparaterne er udstyret med kørehjul (gælder ikke B 35 og B 70), så de er lette at transportere. Apparaterne er meget enkle at betjene og med muligheden for at tilslutte en termostat, er de meget fleksible i brug. Den eksterne brændstof-indikator gør det let at se, hvornår der skal påfyldes brændstof.

SIKKERHEDSOPLYSNINGER

ADVARSEL

VIGTIGT: Læs denne instruktionsbog nøje og grundigt før udførelsen af monteringen, igangsættelsen eller vedligeholdelsen af varmeapparatet. Varmeapparatets brug kan medbringe alvorlige og endda dødelige kvæstelser, på grund af forbrændinger, ildebrand, eksplosion, elektriske stød eller kulilte kvælning.

FARE: Kulilte kvælning kan medbringe døden!

Kulilte kvælning De første symptomer på kulilte kvælning kan minde om influenza symptomerne, med hovedpine, svimmelhed, og/eller kvalme. Symptomerne kan skyldes en fejlagtig drift af varmeapparatet. Gå ud i fri luft så hurtigt som muligt!

Få varmeapparatet repareret. Der er visse personer, der lider mere end andre under kulilte virkningerne, specielt gravide kvinder, dem der lider af hjerte eller lungesygdomme, anæmiske eller berusede personer, og dem der befinder sig i højtliggende egne.. Sikre sig at alle advarslerne bliver læst og forstået.

Opbevar denne instruktionsbog, når der senere bliver brug for oplysninger, da den kan betragtes som en guide for en sikker og korrekt drift af varmeapparatet.

- Anvend udelukkende fyringsolie n°1 for at undgå farer for ildebrand eller eksplosion. Man må aldrig anvende benzin, brændselsolie, lakopløsningsmidler, sprit eller andre let antændelige brændstoffer.

- Påfyldning

- a) Personalet som udfører påfyldningen skal være kvalificeret, og have fuld fortrolighed med fabrikanterens instruktioner, samt med den gældende lov vedrørende sikkerheden for varmeapparaternes påfyldning.
- b) Anvend udelukkende brændstof typen, som er tydeligt angivet på varmeapparatets identifikationsetiket.
- c) Før påfyldningen, sluk alle flammer, også tændblusset, og vent, at varmeapparatet køler af.
- d) Under påfyldningen, kontrollér alle brændstoffinjerne og de tilhørende tilslutninger, for at opspore eventuelle lækager. Alle lækager bør repareres før igangsættelsen af varmeapparatet.
- e) Man må under ingen omstændighed opbevare i samme bygning, ved siden af varmeapparatet, en større brændstofmængde, end den der er nødvendig til at drive varmeapparatet i et døgn. Brændstof opbevaringsbeholderne bør findes i en adskilt bygning.
- f) Alle brændstof beholderne skal være anbragt på en afstand af mindst fra varmeapparater, svejsebrænderer og andre svejningsudstyr, og lignende antændingsanordninger (med undtagelse af brændstofbeholderender er inkorporeret i varmeapparatet).
- g) Hver gang det er muligt, bør brændstoffet opbevares i rum, hvor gulvet ikke tillader brændstoffets indtrængning eller dryppen på underliggende flammer, som kan forårsage brændstoffets antændelse.
- h) Brændstoffets opbevaring skal følge den gældende lovgivning.

- Man må aldrig bruge varmeapparatet i rum, hvor der er benzin, lakopløsningsmidler eller andre let antændelige dampe.

- Under varmeapparatets drift, følg omhyggeligt de lokale forordninger og den gældende lovgivning.

- Varmeapparater som anvendes i nærheden af presenninger, gardiner og andre lignende dækningsanordninger, bør anbringes på sikkerhedsafstand fra dem. Det er også rådeligt at anvende dækningsanordninger fremstillet af uantændeligt materiale. Anordningerne bør fastsættes sikkert, for at undgå, at der går ild i dem, og desuden for at undgå at vinden forstyrrer varmeapparatet.

- Anvend varmeapparatet udelukkende i arealer uden antændelige dampe, og uden høje støvkoncentrationer.

- Tilfør varmeapparatet udelukkende med strøm, som har den

samme spænding, frekvens og fase nummer angivet på identifikationsetiketten.

- Anvend udelukkende forlængere med tre ledninger med en passende jordforbindelse.
- Når varmeapparatet er varmt eller i brug, anbring det på en stabil og jævn overflade, for at undgå ildfarer.
- Når varmeapparatet flyttes, eller når det opbevares, sikre sig at det ligger i en jævn position, for at undgå brændstoffets udstrømning.
- Hold børn og dyr væk fra varmeapparatet.
- Når varmeapparatet ikke er i brug, frakobl det fra netstikket.
- Når varmeapparatet er reguleret af en termostat, kan det tændes i et hvilket som helst moment.
- Brug aldrig varmeapparatet i værelser hvor man opholder sig tit, eller i soveværelser.
- Man må aldrig blokere luftventilen (bageste del) eller luft udgangen (forreste del) af varmeapparatet.
- Når varmeapparatet er varmt, tilsluttet til nettet, eller i gang, må man aldrig flytte det, håndtere det, påfylde det eller udføre vedligeholdelsesindgreb.

UDPAKNING AF VARMLUFTAPPARATET

1. Fjern alt indpakningsmaterialet, som har været brugt til at beskytte maskinen under transport.
2. Løft papkassen af.
3. Fjern alt materiale som fastgør maskinen til pallen.
4. Fjern alt materiale som fastgør skorstenen til pallen (gælder kun BV-serien).
5. Placer skorstenen på røgdugtaget (gælder kun BV-serien).
6. Kør maskinen forsigtig ned fra pallen.
7. Kontroller at maskinen ikke er blevet beskadiget under transporten. Såfremt maskinen skulle være beskadiget, meddeles dette straks til forhandleren, hvor maskinen er købt.

INDPAKNING OG OPBEVARING

1. Kontroller at maskinen ikke er beskadiget, og at der ikke er brændstof utætheder. Fjern tilbageværende brændstof fra beholderen.
2. Placer maskinen på pallen og fastgør den med dertil egnet materiale.
3. Fjern skorstenen og fastgør den på pallen med dertil egnet materiale.
4. Tildæk maskinen med papkassen.
5. Fastgør papkassen til pallen med dertil egnet materiale.
6. Opbevar maskinen på et sikkert og tørt sted. Sæt ikke flere maskinen ovenpå hinanden.

IGANGSÆTTELSE

Før igangsættelsen af generatoren, og før den tilkobles til det elektriske tilførselsnet, bør man kontrollere at karakteristikkene af det elektriske tilførselsnet svarer til dem der er angivet på identifikationsetiketten.

ADVARSEL: Generatorens elektriske tilførselslinje skal være forsynet med en jordforbindelse og med en mag-neto-termisk differentialekontakt. Generatorens elektriske stik skal være tilsluttet til en stikkontakt forsynet med delingsafbryder.

Generatoren kan virke automatisk kun når en kontrolanordning, som for eksempel en termostat eller et ur, er tilsluttet til gene-

ratoren, ved at fastsætte ledningen til stikkets (4) samlemuffer 2 og 2 (Fig. 6), som er forsynet sammen med apparatet (den elektriske ledning som forbinder de to samlemuffer bør fjernes, og eventuelt monteres igen, kun hvis man ønsker, at generatoren viker uden kontrolanordningen).

For at sætte maskinen i gang, bør man:

- indstille kontrolanordningen, hvis tilkoblet, for at sikre driften (for eksempel, bør termostaten indstilles på maksimum temperaturen);
- indstille kontakten 3 (Fig. 6) på positionen med: ON symbolet. Blæserensættes i gang, og forbrændingen begynder efter nogle sekunder.

I anledning af den første igangsættelse, eller efter at fyringsoliekredsløbet har været helt udtømt, kan det være at fyringsolie tilførseln er utilstrækkelig, og kan derfor forårsage at flamme kontrolanordningen kobler ind for at standse generatoren; i dette tilfælde, efter at have ventet cirka et minut, tryk på genindstillingsknappen 1 (Fig. 6) og start maskinen igen.

I tilfælde af manglende funktion, følg denne fremgangsmåde:

1. Kontrollér at der er fyringsolie i beholderen;
2. Tryk på genindstillingsknappen 1 (Fig. 6);
3. Hvis generatoren stadig ikke virker efter disse operationer, henvis til paragraffen "FEJLFINDING" for at opspore årsagen til den manglende funktion.

STANDSNING

For at standse apparatet, skal man stille kontakten 3 (Fig. 6) på "0" positionen, og operere på kontrolanordningen, for eksempel ved at indstille termostaten på en lavere temperatur. Flammen slukkes, og blæseren fortsætter sin virkning indtil forbrændingskammeret er helt kølet af.

SIKKERHEDSANORDNINGER

Generatoren er forsynet med en elektronisk udstyr for flamme kontrollen. Hvis der fremkommer en eller flere funktion uregelmæssigheder, standser udstyret maskinen, og kontrollampen af genindstillingsknappen 1 (Fig. 6) tændes.

En overtemperatur termostat kobler ind, og forårsager afbrydelsen af fyringsolie forsyningen hvis generatoren opheder: termostaten genindstilles automatisk når forbrændingskammer temperaturen synker indtil den maksimale tilladte værdi. Før generatoren sættes i gang igen, bør opshedning årsagen findes og afskaffes (for eksempel blokering af luft indsugnings- eller udstødningsrøret, standsning af blæseren). For at sætte maskinen i gang igen, må man trykke på genindstillingsknappen 1 (Fig. 6) og gentage instruktionerne angivet i paragraffen "IGANGSÆTTELSE".

TRANSPORT OG BEVÆGELIGHED

! ADVARSEL Før apparatet flyttes, bør man: standse maskinen efter anvisningerne af den forrige paragraf; frakoble den elektriske tilførsel ved at udtage stikket fra den elektriske stikkontakt, og vente at generatoren er helt kølet af.

Før man løfter eller flytter generatoren, bør man sikre sig at beholder dækslet er godt fastsat. Generatoren kan være forsynet i flytbar stand, med hjul, eller hængende, monteret på en stætte struktur, forankret med reb eller kæder. I første tilfælde, før transporten er det tilstrækkeligt at tage fat i generatoren med støt-

tehåndtaget og at lade den glide på hjulene. I det andet tilfælde, bør løftningen ske ved brug af en gaffeltruck eller af en lignende løfteanordning.

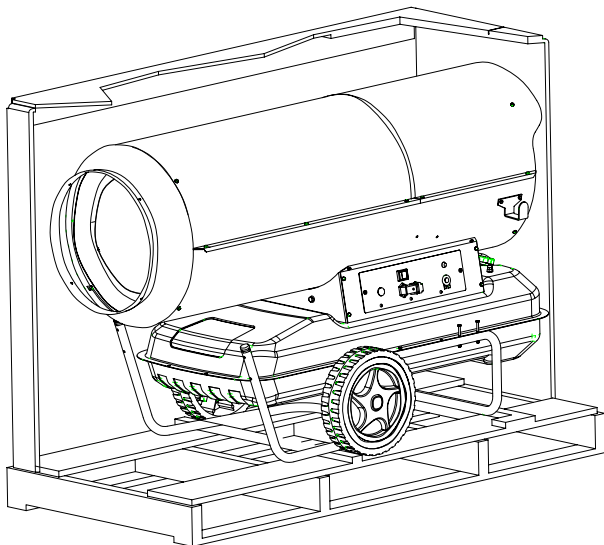
FOREBYGGENDE VEDLIGEHOLDELSESPROGRAM

For en korrekt apparat funktion, er det nødvendigt at rengøre regelmæssigt forbrændingskammeret, brænderen og blæseren.

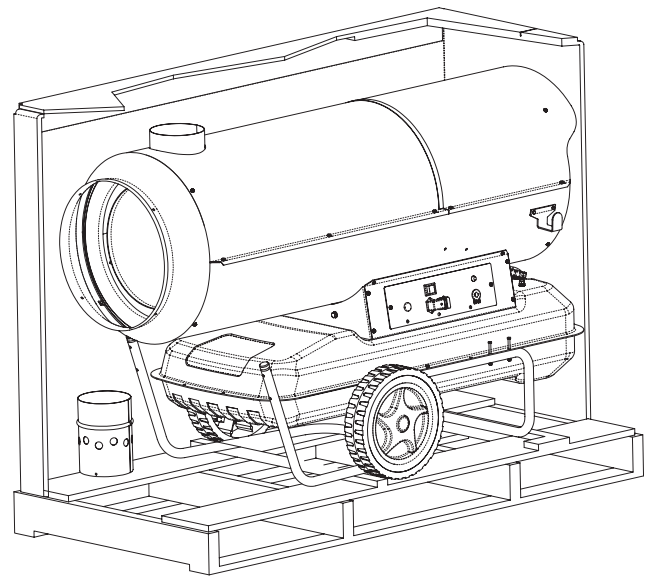
! ADVARSEL Før udførelsen af enhver vedligeholdelse operation, bør man: standse maskinerne efter anvisningerne fra forrige paragraf; frakoble den elektriske tilførsel ved at tage stikket ud af den elektriske stikkontakt, og vente, at generatoren er helt kølet af.

Hver 50 timers drift bør man:

- Afmontere filterindsatsen, og rengøre den med ren forsyningsolie;
- Afmontere den udvendige cylindriske overflade, og rengøre den indvendige del og blæservingerne;
- Kontrollere kabel tilstanden samt højspænding tilslutningerne på elektroderne;
- Afmontere brænderen, og rengøre melene, rengøre elektroderne og austere afstanden til den angivet værdi i side 61 af elektrode justeringsskemaet.

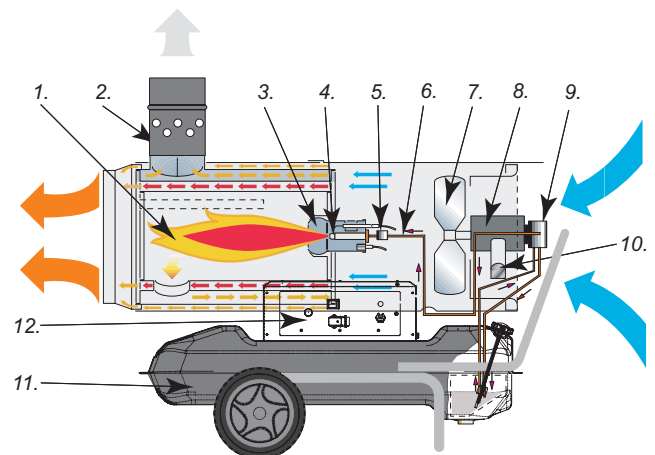


Figur 2 - Model B.

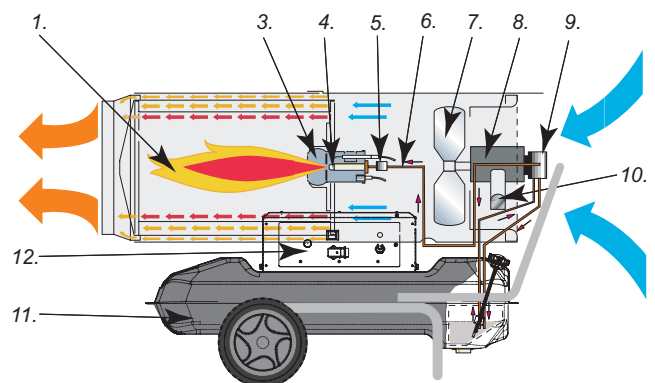


Figur 3 - Model BV.

FUNKTIONSPRINCIP



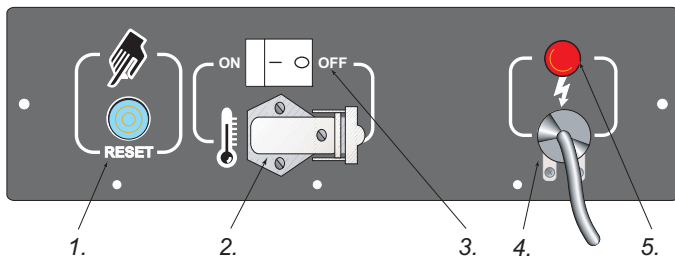
Figur 4 - Model BV.



Figur 5 - Model B.

1. Forbrændingskammer, 2. Vindbeskyttet røgskorsten tilslutning, 3. Brænder, 4. Dyse, 5. Brændstof elektroventil, 6. Brændstof kredsløb, 7. Blæser, 8. Motor, 9. Forsyningsolie pumpe, 10. Kablesammenrulning krampe, 11. Brændstof beholder, 12. Kontrolpanel.

ELEKTRISK PANEL



1. Genindstillingsknap, 2. Stikkontakt for den indvendige temperatur termostat, 3. Hovedkontakt, 4. Tilførselskabel, 5. Spænding signallampe.

Figur 6

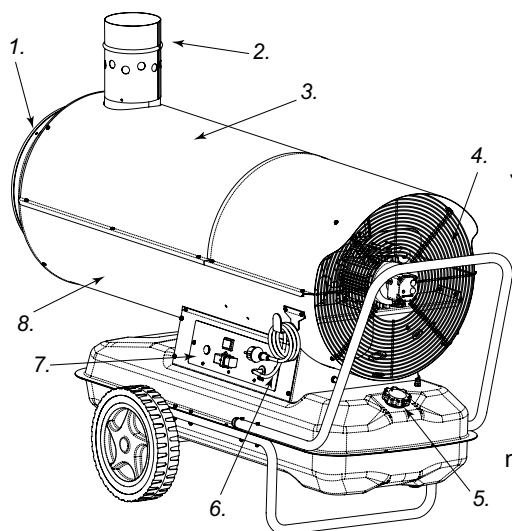
FEJLFINDING

NOTERET FEJL	MULIG ÅRSAG	LØSNING
Blæseren starter ikke og flammen tændes ikke	1 Manglende elektrisk tilførsel 2 Fejlagtig indstilling af den eventuelle kontrolanordning 3 Defekt kontrolanordning 4 Nedbrændt eller afbrudt motorindpakning	1a Undersøg karakteristikkene af el-systemet (230V - 1~ - 50 Hz) 1b Kontrollér kontaktens funktion og stilling 1c Kontrollér sikringens funktion 2 Kontrollér at kontrolanordningens regulering er korrekt (for eksempel skal temperaturen, indstillet på termostaten være højere end den omgivende temperatur) 3 Udskift kontrolanordningen 4 Udskift motoren
Blæseren starter og flammen tændes ikke, eller den vedbliver ikke tændt	1 Fejlagtig antændelse 2 Defekt flammekontrolanordning 3 Fejlagtig fotocelle 4 Forsyningsolien når ikke til brænderen, eller når i utilstrækkelig mængde 5 Fejlagtig elektroventil	1a Kontrollér forbindelserne mellem antændelsesledningerne, elektroderne og transformatoren 1b Kontrollér elektrodernes position og deres afstand, efter skemaet på side 8 1c Kontrollér at elektroderne er rene 1d Udskift antændings transformatoren 2 Udskift anordningen 3 Rengør eller udskift fotocellen 4a Kontrollér funktionen af pumpe-motor leddet 4b Kontrollér at der ikke er luftindtrængen i forsyningsolie kredsløbet ved at undersøge røernes tæthed og filter pakningen 4c Rengør, og udskift dysen, hvis nødvendigt 5a Kontrollér den elektriske forbindelse 5b Kontrollér LI termostaten 5c Rengør og eventuelt udskift elektroventilen
Blæseren starter og flammen tændes, men der er røg dannelse	1 Utilstrækkelig forbrændingsluft 2 Overdreven forbrændingsluft 3 Den anvendte forsyningsolie er snavset eller indholder vand 4 Luftindtrængen i forsyningsolie kredsløbet 5 Utilstrækkelig forsyningsolie mængde til brænderen 6 Overdreven forsyningsolie mængde til brænderen	1a Fjern alle mulige hindringer og tilstopninger fra luft indsnings- og eller udblæsningsrør 1b Undersøg positionen af luftindstillings ringen 1c Rengør brænder skiven 2 Undersøg positionen af luftindstillings ringen 3a Udskift den brugte forsyningsolie med ren forsyningsolie 3b Rengør forsyningsolie filteret 4 Undersøg røernes tætning og pakningen af forsyningsolie filteret 5a Undersøg pumpetryk værdien 5b Rengør eller udskift dysen 6a Undersøg pumpetryk værdien 6b Udskift dysen
Generatoren standser ikke	1 Defekt tæthed af elektroventilen	1 Udskift elektroventil legemet
Blæseren standser ikke	1 Defekt blæser termostat	1 Udskift FA termostaten

SISÄLLYSLUETTELO

YLEISTÄ "B" JA "BV" MALLEISTA	35
TURVALLISUUS-OHJEITA	35
LÄMMITTIMEN SIIRTÄMINEN ULOS PAKKAUksesta	36
KÄYNNISTÄMINEN	36
SAMMUTTAMINEN	36
TURVAJÄRJESTELMÄ	36
KULJETTAMINEN JASIIRTÄMINEN	36
HUOLTOSUUNNITELMA	37
KÄYTTÖPERIAATTEET	37
OHJAUSPANEELI	38
VIANMÄÄRITYS	38

YLEISTÄ "B" JA "BV" MALLEISTA



1. Kuuman ilman poistoaukko, 2. Savupiipun liitoskappale,
3. Ylempi ulkokuoren puolisko, 4. Tuuletinritilä,
5. Polttoainetankin korkki, jossa polttoainemittari,
6. Virtajohto,
7. Ohjauspaneeli, 8. Alempi ulkokuoren puolisko

B sarjan **suoralämmitteisissä** malleissa kuuma puhallusilma syntyy sekoittamalla palamiskaasuja ja ulkopuolista ilmaa. Nämä lämmittimet sopivat erityisen hyvin lämmittämiseen, sulattamiseen ja kuivaamiseen, sekä ulkona että sellaisissa sisätiloissa joissa **on hyvä ilmanvaihto**

BV sarjan mallit ovat toimintaperiaatteeltaan epäsuoria. Niissä on lämmönvaihdin, joka mahdollistaa palamiskaasujen ja kuuman puhallusilman pitämisen erillään. Tällöin on mahdollista puhaltaa puhdasta kuumaa ilmaa kohteeseen, jota lämmitetään ja johtaa palamiskaasut toisaalle.

B ja BV mallit on suunniteltu nykyaikaisten turvallisuus, suorituskyky ja elintaso standardien mukaan. Niissä on myös turvakytkimet, joten jatkuva käyttö ja alhainen melutaso, korkea luotettavuus on saavutettu.

Lämmittimiin voidaan asentaa pyörät, jolloin niiden siirtely helpottuu. Myös kattoon asentaminen on mahdollista. Niiden erinomainen suorituskyky yhdessä termostaatin kanssa mahdollistavat joustavan käytön. Selkeä polttoainemittari helpottaa polttoaine tilanteen nopeaa seurantaa ja täyttötarve selviää hetkessä.

TURVALLISUUS-OHJEITA

VAROITUKSIA

TÄRKEÄÄ: Lue käyttöohje huolellisesti ja kokonaisuudessaan läpi ennen kuin ryhdyt kokoamaan, käynnistämään tai huoltamaan lämmitintä. Lämmittimen käyttö voi aiheuttaa vakavia tai hengenvaarallisia vammoja tulipalon, räjähdyksen, sähköiskun tai häämyrkytyksen seurauksena.

! HENGENVAARA: Häämyrkytys voi olla hengenvaarallinen!

Häämyrkytys Häämyrkytyksen ensioireet muistuttavat influenssan oireita, ja niihin liittyy päänsärkyä, huimausta ja/tai pahoinvointia. Jos huomaat tällaisia oireita, ne saattavat aiheutua lämmittimen vajaatoiminnasta. Siirry tällöin välittömästi ulkoilmaan! Korjautalämmitin. Jotkut ihmiset kärsivät toisia herkemmin hään eli hiilimonoksidin vaikutuksista, erityisesti raskaana olevat naiset, sydän- ja keuhkosairauspotilaat, aneemikot, juopuneet ja ihmiset, jotka oleskelevat korkeissa ilmanaloissa.

Lue tarkasti kaikki varoitukset ja varmista, että olet ymmärtänyt ne. Säilytä käyttöohje myöhempää käyttöä varten: se opastaa lämmittimen turvalliseen ja oikeaan käyttöön.

- Käytä polttoaineena ainoastaan tai polttoöljyä nro 1 tulipalo- ja räjähdysvaaran välttämiseksi. Älä koskaan käytä bensiiniä, dieselöljyä (naftaa), maalien poistoon tarkoitettuja liuottimia, alkoholia tai muita herkästi syttyviä polttoaineita.

- Polttoainetäydennys

- a) Polttoaineen täydennyksestä vastaavilla henkilöillä tulee olla tehtävään riittävä pätevyys ja heidän tulee tuntee perusteellisesti valmistajan antamat ohjeet sekä voimassaolevat polttoainetäydennyksestä koskevat turvallisuusmääräykset.
- b) Käytä ainoastaan lämmittimen arvokilvessä erikseen mainitun tyyppistä polttoainetta.
- c) Ennen kuin ryhdyt täyttämään säiliötä, sammuta kaikki liekit, myös ohjausliekki, ja odota, että lämmitin jäähtyy.
- d) Polttoainetäydennyksen aikana tarkasta kaikki polttoainekanavat ja niiden liittännät ja varmista, ettei mikään vuoda. Mahdolliset vuodoton ehdottomasti korjattava ennen laitteen käynnistämistä uudelleen.
- e) Missään olosuhteissa ei lämmittimen kanssa samassa rakennuksessa tai muuten lämmittimen läheisyydessä tule säilyttää suurempaa määrää polttoainetta kuin yhden päivän käyttöä varten on tarpeen. Suuremmat polttoainesäiliöt tulee varastoida erillisessä rakennuksessa.
- f) Polttoainesäiliöiden on aina oltava vähintään: n etäisyydellä lämmittimestä, polttimista, hitsauslaitteista ja muista vastaavista laitteista, jotka voivat aiheuttaa polttoaineen syttymisen (lukuunottamatta lämmittimen sisäänrakennettua polttoainesäiliötä).
- g) Mikäli mahdollista, polttoaine on syytä säilyttää tiloissa, joissa ainetta ei voi imeytyä lattian läpi eikä siten tihkua alapuolella oleviin liekkeihin, jotka voisivat aiheuttaa polttoaineen syttymisen.
- h) Polttoaine tulee säilyttää välttämättä turvallisuusmääräyksiä noudattaen.

- Älä koskaan käytä lämmitintä tiloissa, joissa on myös bensiiniä, maalien liuottimia tai muita herkästi syttyviä kaasuja.

- Noudata lämmittimen käytössä kaikkia paikallisia asetuksia ja voimassaolevia turvallisuus- yms.määräyksiä.

- Jos lämmitintä käytetään peitteiden, verhojen tai muiden vastaavien lähetyillä, näiden ja läm-

mittimen väliin on jätettävä turvaetäisyys. Lisäksi suositellaan palonkestävien peitemateriaalien käyttöä. Nämä tulee kiinnittää hyvin niiden syttymisen välttämiseksi ja pitää huolta siitä, ettei esimerkiksi tuuli yllättäen tuo peitettilian lähelle lämmitintä.

- Älä koskaan käytä lämmitintä tiloissa, joissa on herkästi syttyviä höyryjä tai korkeita pölypitoisuuksia ilmassa.
- Käytetyn sähkövirran jännitteen, taajuuden ja faasiluvun tulee ehdottomasti vastata laitteen arvokilvessä mainittuja.
- Jatkojohtona käytä vain asianmukaisesti maadoitettua kolmi-kaapelista johtoa.
- Kun lämmitin on kuuma tai toiminnassa, sen tulee olla vakaalla ja tasaisella alustalla tulipaloriskin minimoimiseksi.
- Säilytyksen ja siirtojen tai kuljetusten aikana lämmitin tulee olla suorassa asennossa, jottei polttoainetta pääse vuotamaan ulos.
- Huolehdi, että lapset ja eläimet pysyvät riittävän etäällä lämmitimestä.
- Irrota lämmitin sähköpistoke, kun laite on pois käytöstä.
- Kun lämmitimeen on kytketty termostaatti, se saattaa käynnistyä yllättäen.
- Älä koskaan käytä lämmitintä makuuhuoneissa tai muissa huoneissa, joissa oleskelee tai asuu paljon ihmisiä.
- Älä koskaan tuki lämmitin ilmanottoaukkoa (takana) äläkä puhallusaukkoa (edessä).
- Kun lämmitin on kuuma, kytkettynä sähköverkkoon tai käynnissä, sitä ei koskaan tule ryhtyä siirtämään, käsittelemään, tankkaamaan tai millään tavalla huoltamaan.

LÄMMITTIMEN SIIRTÄMINEN ULOS PAKKAUKSESTA

1. Poista ensin kaikki kuljetuksen aikaisena pehmusteena käytetty pakkaustäyte laatikosta.
2. Käännä laatikko ylösalaisin ja nosta se.
3. Irrota lämmitin kuljetus alustasta
4. Irrota hormi alustasta
5. Siirrä varovasti alustalle
6. Tarkista, että lämmitin ei ole saanut kuljetusvaurioita. Jos niitä on tullut, ota välittömästi yhteyttä jälleenmyyjään, jolta ostit tuotteen.

KÄYTÖN JÄLKEINEN VARASTOINTI

1. Kun haluat varastoida lämmitin käytön jälkeen, tarkista että lämmitin ei ole saanut vaurioita ja että siinä ei ole polttoaine vuotoja.
2. Aseta lämmitin kuormalavalle ja kiinnitä se siihen.
3. Poista hormi ja kiinnitä palettiin asianmukaisilla välineillä
4. Suojaa lämmitin ylösalaisin käännetyllä pahvilaatikolla.
5. Kiinnitä pahvilaatikko kuormalavaan.
6. Varastoi lämmitin turvalliseen ja kuivaan paikkaan. Älä pinoo lämmittämiä päällekkäin.

KÄYNNISTÄMINEN

Ennen kuin käynnistät generaattorin ja siis ennen kuin liität sen sähköverkkoon, tarkista että paikallisen sähköverkon ominaisuudet käyvät yksin lämmitin arvokilvessä mainittujen ominaisuuksien kanssa

! HUOMIO: Generaattorin virtajohdon tulee olla maadoitettu ja siinä tulee olla lämpörele. Älä kiinnitä generaattorin pistoketta muuhun kuin suojamaadoitettuun pistorasiaan!

Generaattori voi toimia automaattisesti ainoastaan silloin, kun siihen on liitetty valvontalaite, esimerkiksi termostaatti tai ajastin. Tämä tapahtuu liittämällä valvontalaitteen liitin laitteen mukana tulevan pistokkeen 2 (Kuva 6) kahteen napaan (2 ja 3). Poista napoja yhdistävä johto vain siinä tapauksessa, että generaattorin halutaan toimivan ilman valvontalaitetta, ja liitä tarvittaessa taas uudelleen paikoilleen.

Kun käynnistät laitteen, toimi seuraavasti:

- Jos laitteeseen on liitetty valvontalaite, säädä se sellaiseen asentoon, että lämmitin voi toimia (esimerkiksi termostaatissa on valittava suurin lämpötila).
- Käännä katkaisija 3 (Kuva 6) osoittamaan kuvaa ON ;tuuletin käynnistyy ja muutaman sekunnin kuluttua palaminen alkaa. Kun laite otetaan ensi kertaa käyttöön tai kun polttoainekanava on päässyt kokonaan tyhjäksi, öljyvirta suuttimeen voi olla riittämätön. Tämä voi laukaista liekinvalvontalaitteen, joka pysäyttää generaattorin. Siinä tapauksessa odota noin minuutin verran ja paina sitten reset-kytkintä 1 (Kuva 6) käynnistääksesi laitteen uudestaan.

Ellei laite toimi, tarkista ensimmäiseksi seuraavat asiat:

1. Tarkista, että polttoainesäiliössä on polttoainetta;
2. Paina reset-kytkintä 1 (Kuva 6);
3. Ellei laite näiden toimenpiteiden jälkeenkään toimi, lue kappale "VIANMÄÄRITYS" ja selvitä ongelman syy.

SAMMUTTAMINEN

Kun haluat sammuttaa lämmitin, käännä katkaisija 3 (Kuva 6) asentoon "0" tai säädä valvontalaitetta esimerkiksi alentamalla termostaatin lämpötilaa. Liekki sammuu ja tuuletin jatkaa toimintaansa, kunnes palokammio on täysin jäähtynyt.

TURVAJÄRJESTELMÄ

Generaattorissa on elektroninen liekinvalvontalaite. Jos generaattorin toiminnassa on poikkeavuuksia, liekinvalvontalaite pysäyttää laitteen ja "reset"-merkkivalo syttyy.

Generaattorin ylikuumentuminen laukailee varotermostaatin, joka katkaisee polttoaineen syötön. Termostaatti käynnistyy uudestaan automaattisesti, kun palokammion lämpötila laskee korkeimpaan sallittuun lukemaan.

Ennen generaattorin käynnistämistä uudelleen tulee ylikuumentumisen syy selvittää ja asia korjata (esimerkiksi ilmanottoaukon ja/tai puhallusaukon tukkeutuminen, tuuletin pysähtyminen).

Käynnistääksesi koneen uudelleen paina reset-kytkintä 1 (Kuva 6) ja toimi kappaleessa "KÄYNNISTYS" annettujen ohjeiden mukaan.

KULJETTAMINEN JASIIRTÄMINEN

HUOMIO: Ennen laitteen siirtämistä se täytyy sammuttaa kappaleessa "Sammuttaminen" annettujen ohjeiden mukaan. Irrota laitteen pistoke pistorasiasta ja odota, että generaattori jäähtyy.

Ennen kuin nostat tai siirrä generaattoria, varmista että polttoainesäiliön korkki on hyvin kiinni.

Lämmittämiä on kahdenlaisia: siirrettävä malli, jossa on pyörät, ja roikkumaan ripustettava malli, jossa on tukirakenteet ripustusköysien tai -ketjujen kiinnittämistä varten.

Pyörillä liikkuvan lämmitin siirtämiseksi riittää, kun sitä

vetää tukikahvasta ja antaa sen liukua pyörillään. Roikkuvan lämmittimen siirtämiseen tarvitaan trukkia tai vastaavaa apuneuvoa.

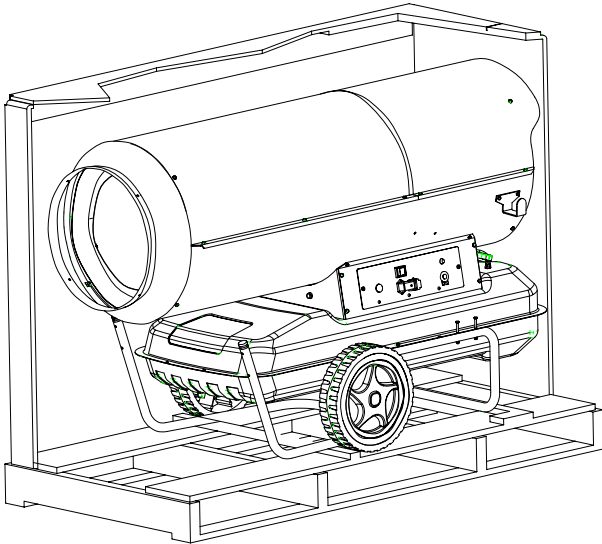
HUOLTOSUUNNITELMA

Jotta lämmitin toimisi moitteettomasti, on välttämätöntä puhdistaa palokammio, poltin ja tuuletin säännöllisin väliajoin.

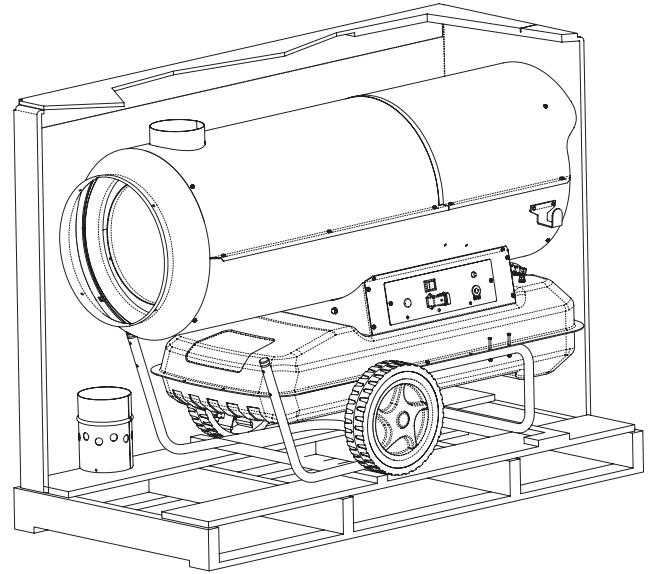
HUOMIO: Ennen kuin ryhdyt mihinkään huoltotoimenpiteisiin, sammuta lämmitin kappaleessa ”Sammuttaminen” a nnettujen ohjeiden mukaan. Irrota laitteen pistoke pistorasasta ja odota, että generaattori jäähtyy.

50 käyttötunnin jälkeen täytyy aina suorittaa seuraavat toimenpiteet:

- Irrottaa suodatinkotelo ja puhdistaa se puhtaalla dieselöljyllä;
- Puhdistaa tuulettimen sisäosat ja siivekkeet;
- Tarkistaa kaapeleiden ja elektrodien korkeajännitekytkentöjen kunto;
- Irrottaa poltin ja puhdistaa sen osat, puhdistaa elektrodit ja säätää niiden etäisyys sivulla 61 esitetyn elektrodien säätökaavion mukaisesti.

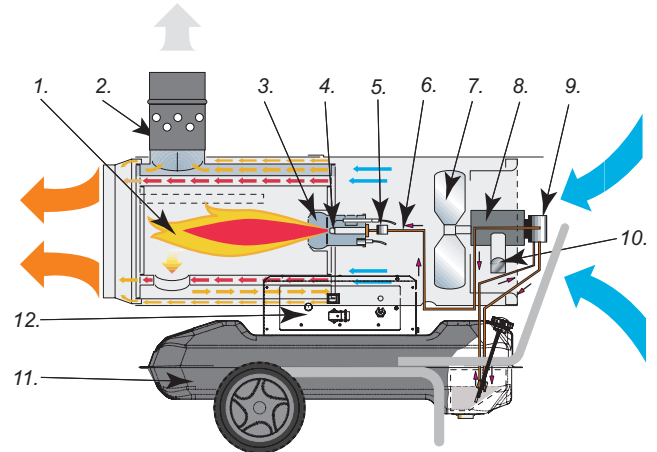


Kuva 2 - B mallit.

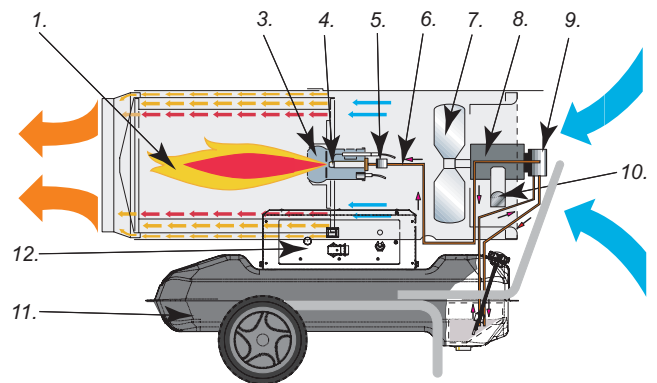


Kuva 3 - BV mallit.

KÄYTTÖPERIAATTEET



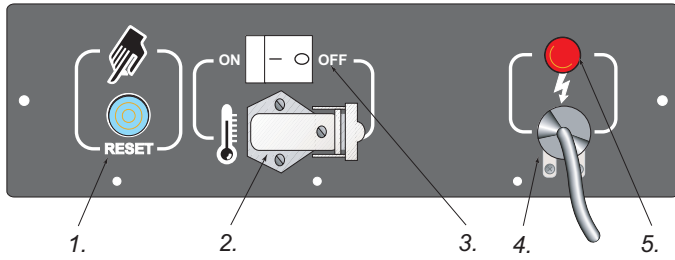
Kuva 4 - BV mallit.



Kuva 5 - B mallit.

1. Palokammio, 2. Savupiipun liitososa, 3. Poltin, 4. Polttoainesuutin, 5. Polttoaineventtiili, 6. Polttoainekanava, 7. Tuuletin, 8. Moottori, 9. Polttoainepumppu, 10. Johdon pidike, 11. Polttoainesäiliö, 12. Ohjauspaneeli.

OHJAUSPANEELI



1. Reset-kytkin (uudelleenkäynnistys), 2. Pistoke huoneenlämpötermostaatile, 3. Pääkatkaisija, 4. Virtajohto, 5. Jännitteen merkivalo.

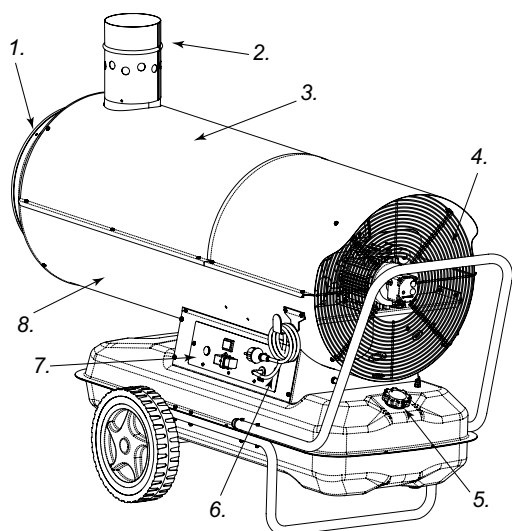
Figur 6

VIANMÄÄRITYS

HAVAITU VIKA	MAHDOLLINEN SYY	RATKAISU
Tuuletin ei käynnisty eikä liekki syty	<p>1 Laite ei saa sähkövirtaa.</p> <p>2 Mahdollinen valvontalaXite on väärin säädetty.</p> <p>3 Valvontalaitteessa on vikaa</p> <p>4 Moottorin käämit ovat palaneet tai poikki</p>	<p>1a Tarkista käytetyn sähkövirran ominaisuudet. (230V - 1~ - 50 Hz)</p> <p>1b Tarkista, että katkaisija toimii ja on oikeassa asennossa.</p> <p>1c Tarkista sulake.</p> <p>2 Tarkista, että valvontalaite on säädetty oikein: esimerkiksi termostaatista valitun lämpötilan tulee olla huoneenlämpöä korkeampi.</p> <p>3 Vaihda valvontalaite.</p> <p>4 Vaihda moottori</p>
Tuuletin käynnistyy, mutta liekki ei sytytai sammuu pian	<p>1 Sytytys ei toimi</p> <p>2 Liekinvalvontalaitteessa on vikaa</p> <p>3 Valokenno ei toimi</p> <p>4 Polttimeen ei tule polttoainetta tai sitä tulee liian vähän</p> <p>5 Sähköohjattu venttiili ei toimi</p>	<p>1a Tarkista, että sytytyskaapelit on kytketty elektrodeihin ja muuntajaan.</p> <p>1b Tarkista, että elektrodit ovat sivun 8 kaaviossa esitettyssä asennossa ja oikealla etäisyydellä toisistaan.</p> <p>1c Tarkista, että elektrodit ovat puhtaat.</p> <p>1d Vaihda sytytysmuuntaja.</p> <p>2 Vaihda liekinvalvontalaite.</p> <p>3 Puhdista tai vaihda valokenno.</p> <p>4a Varmista, että pumpun ja moottorin välinen liitos on ehjä.</p> <p>4b Varmista, ettei polttoainekanavaan pääse ilmaa tarkistamalla letkujen tiiviys ja suodattimen tiiviste.</p> <p>4c Puhdista tai tarvittaessa vaihda polttoainesuutin.</p> <p>5a Tarkista sähköliitokset.</p> <p>5b Tarkista termostaatti LI.</p> <p>5c Puhdista tai tarvittaessa vaihda venttiili.</p>
Tuuletin käynnistyy ja liekki syttyy, mutta savuaa	<p>1 Polttoaine-ilmaseoksessa on liian vähän ilmaa</p> <p>2 Polttoaine-ilmaseoksessa on liian paljon ilmaa</p> <p>3 Käytetty polttoaine on epäpuhdasta taiseinä on vettä</p> <p>4 Polttoainekanavaan pääsee ilmaa</p> <p>5 Polttimeen tulee liian vähän polttoainetta</p> <p>6 Polttimeen tulee liian paljon polttoainetta</p>	<p>1a Poista kaikki mahdolliset esteet tai tukokset ilmanotto- ja/tai ilmanpoistoaukkojen edestä.</p> <p>1b Tarkista ilmavirran säätörenkaan asento.</p> <p>1c Puhdista poltinlevy.</p> <p>2 Tarkista ilmavirran säätörenkaan asento.</p> <p>3a Vaihda käytetty polttoaine puhtaaseen.</p> <p>3b Puhdista polttoainesuodatin.</p> <p>4 Tarkista letkujen ja polttoainesuodattimen tiivisteiden tiiviys.</p> <p>5a Tarkista pumpun paine.</p> <p>5b Puhdista tai vaihda polttoainesuutin.</p> <p>6a Tarkista pumpun paine.</p> <p>6b Vaihda polttoainesuutin</p>
Generaattori ei pysähdy	1 Sähköventtiilin tiivisteissä on vikaa	1 Vaihda venttiilin runko
Tuuletin ei pysähdy	1 Tuulettimen termostaatissa on vikaa	1 Vaihda termostaatti FA

INNHOOLD

MODELLSERIE "B" AND "BV"	39
SIKKERHETSINFORMASJON	39
UTPAKKING AV VARMLUFTSAGGREGATET	40
OPPSTART	40
STANS	40
SIKKERHETSANORDNINGER	40
TRANSPORT OG FLYTTING	40
VEDLIKEHOLDSPROGRAM	41
SLIK FUNGEREN VARMEAPPARATET	41
ELEKTRISK PANEL	42
IDENTIFISERING AV FEIL	42

MODELLSERIE "B" AND "BV"

1. Varmlufts-
utgang, 2.
Skorsteins-
ledd, 3. Øvre
halvskjold, 4.
Viftegirter, 5.
Tanklokk med
nivåmåler, 6.
Strømkabel,
7. Kontrollpa-
nel, 8. Nedre
halvskjold

Modellserie B er en serie direktefyrte varmluftsaggregater som blander luft fra omgivelsene med forbrenningsluften. Denne modellserien er spesielt velegnet for oppvarming, avising og tørking utendørs, samt oppvarming innendørs hvor det er tilstrekkelig ventilasjon.

Modellserie BV er en serie varmluftsaggregater med indirekte oppvarming. Denne modellserien har brennkammer med varmeveksler. Forbrenningsluften ledes ut gjennom skorstein, mens ren, oppvarmet luft kommer ut i front av maskinen og ledes inn i området som skal varmes opp.

Begge modellseriene er konstruert i overensstemmelse med alle gjeldende regelverk, har sikkerhetsutrustning som sikrer kontinuerlig bruk, har lavt støynivå, og er produsert med nøye utvalgte materialer for å sikre maksimal driftssikkerhet.

Varmluftsaggregatene kan utrustes med hjulsett, alternativt monteres på vegg. Det høye ytelsesnivået, sammen med muligheten til å bruke termostat, sikrer best mulig fleksibilitet under bruk. Den eksterne indikatoren som viser tanknivået muliggjør en rask kontroll om tanken må etterfylles (BV).

SIKKERHETSINFORMASJON**! MERK**

VIKTIG: Du må lese hele denne bruksanvisningen før du forsøker å sette sammen varmekanonen, tar den i bruk, eller gjør vedlikeholdsarbeid på den. Bruk av varmekanonen kan føre til alvorlige og dødelige skader som følge av forbrenning, brann, eksplosjoner, elektrisk støt, oksygenmangel eller kvelning som følge karbonmonoksyd.

! FARE:Å puste inn karbonmonoksyd kan få dødelig utgang!

Kvelningsfare som følge av inhalering av karbonmonoksyd De første symptomene på inhalering av karbonmonoksyd ligner influensasymptomer, med hodepine, svimmelhet og/eller kvalme. Disse symptomene kan komme av feilfunksjoner ved varmekanonen. Kom deg øyeblikkelig ut i frisk luft! Få varmekanonen reparert. Enkelte fysisk svakere grupper kjenner spesielt godt effekten av innpusting av karbonmonoksyd, særlig gravide kvinner, personer som lider av hjerte- eller lungesykdommer, anemikere, berusede mennesker, og personer som befinner seg i høyfjellet. Forsikre deg om at du leser og forstår alle opplysninger som blir gitt. Ta vare på denne bruksanvisningen for framtidig referanse. Denne vil være en kilde til informasjon om sikker og korrekt bruk av varmekanonen.

- Du må kun bruke parafin eller lett fyringolje (nr.1) for å unngå brann og eksplosjonsfare. Bruk aldri bensin, nafta, løsemidler, alkohol eller andre forbrenningsprodukter som lett kan antennes.
- Fylling
 - a) Personellet som har oppgaven med å fylle varmekanonen, må være godt kvalifisert og ha kunnskap om instruksjonene fra produsenten, samt om gjeldende regler for sikker fylling av drivstoff på ovner.
 - b) Bruk kun den typen fyringsolje som er spesifisert på varmekanonenens identifikasjonsmerke.
 - c) Før fylling må all ild være slukket, også pilotflammen, og man må vente til anlegget er helt avkjølt.
 - d) Under fylling av drivstoff må alle forbrenningsrør og utløp kontrolleres, for å finne eventuelle lekkasjer. Enhver lekkasje må repareres før man setter i gang med å bruke varmekanonen.
 - e) Når ingen omstendighet må større kvanta forbrenningsmateriale (olje, parafin osv) oppbevares i samme bygg og i nærheten av varmekanonen. Kun det som er nødvendig for en dags forbruk ved full bruk av varmekanonen bør oppbevares. Oppbevaringstankene til forbrenningsoljen må bli plassert i et eget bygg.
 - f) Alle tanker av forbrenningsolje må oppbevares på en minimum-savstand fra varmekanoner, luftrør, sveisemateriell, og lignende antenningskilder (unntak for det innebygde brenselageret som finnes i varmekanonen).
 - g) Når dette er mulig bør forbrenningsoljen oppbevares i lokaler der gulvet hindrer oljedrypp og at eventuelle dråper trenger ned i gulvet, slik at dette ikke fører til at gulvet blir antent av flammer nedenfra.
 - h) Oppbevaringen av forbrenningsoljen må følge alle gjeldende regler for oppbevaring av brennbart materiale.
- Bruk aldri varmekanonen i lokaler der det finnes bensin, løsemidler eller andre sterkt brennbare avgasser.
- Under bruk av varmekanonen må både lokale forordninger og gjeldende regelverk følges.

- Dersom varmekanonen blir brukt i nærheten av emballasjeduk, telt og andre tildekkingsmaterialer, må man sikre seg at den blir plassert på god avstand fra disse. Vi råder også til å bruke brannsikre tildekkingsmaterialer. Denne typen materialer må festes på en trygg måte, både for å unngå at de tar fyr, og for å forbygge at vinden virker inn på funksjonen av varmekanonen.
- Varmekanonen må kun brukes i innemiljø der det ikke finnes brannfarlig damp eller store antenningsfarlige støvmengder.
- Strømtilførselen må alltid ha den spenning, frekvens og fasetall som er spesifisert på indentifiseringsmerket.
- Bruk kan tre-tråds skøyteledninger som er riktig koblet til strømuttaket.
- Når varmekanonen er i bruk eller fremdeles varm etter bruk, må den plasseres på en stabil horisontal flate, for å unngå risiko for brann.
- Når varmekanonen flyttes eller oppbevares, må den fortsatt plasseres på en rett horisontal flate, for å unngå at fyringsoljen renner ut.
- Hold barn og dyr på god avstand fra varmekanonen.
- Koble varmekanonen fra strømuttaket når den ikke er i bruk.
- Når varmekanonen er termostatkontrollert kan den slå seg på når som helst.
- Bruk aldri varmekanonen i oppholds- eller soverom.
- Blokker aldri luftinntak (bak) eller utgangen for varm luft (foran) på varmekanonen.
- Når varmekanonen er varm, tilkoblet strømuttak, eller i bruk må den ikke flyttes, stilles inn, fylles eller gjøres vedlikeholdsarbeid på.

UTPAKKING AV VARMLUFTSAGGREGATET

1. Fjern alt pakkemateriale som beskytter varmluftsaggregatene under transport.
2. Løft varmeren ut av kartongen (modell B). Løft kartongen opp og av varmeren (modell BV).
3. Fjern alt som fester varmluftsaggregatet til pallen (modell BV)
4. Løsne skorsteinsutløpet fra pallen og fest det til avgassutløpet (modell BV).
5. Løft varmeren av pallen (modell BV). Monter hjulramme, aksel, hjul og håndtak på modellene der dette følger med som standardutrustning (modell B).
7. Kontroller at det ikke har oppstått skader under transporten. I tilfelle skader, kontakt ansvarlig transportør, alternativt forhandler der varmluftsaggregatet er kjøpt.

PAKKING OG LAGRING

1. Kontroller at varmeren er uskadd og at det ikke lekker brennstoff. Tapp tanken.
2. Plasser varmeren på en pall og sikre den slik at den står trygt.
3. Demonter skorsteinsutløpet og fest det til pallen.
4. Dekk til varmeren med kartongen eller lignende.
5. Fest kartongen til pallen.
6. Lagre varmluftsaggregatet på et trygt og tørt sted. Ikke stable flere oppå hverandre.

OPPSTART

Før du kan sette generatoren i gang, d.v.s. før du kobler den til strømuttaket, må du kontrollere at strømuttaket og kontakten

har de kjennetegn som beskrives på identifikasjonsmerket til varmekanonen.

MERK Strømforsyningen til generatoren må være utstyrt med jording og termo-magnetisk sikring. Den elektriske kontakten må plasseres i et strømuttak med med seksjonnert bryter.

Generatoren kan fungere automatisk kun når det finnes en kontrollfunksjon, som f.eks. en termostat eller en tidsmåler er koblet til generatoren, og montert i klypene 2 og 3 av kontakten 2 (Fig. 6) som leveres sammen med apparatet (den elektriske ledningen som binder sammen de to klypene må fjernes og eventuelt monteres på nytt dersom man vil at apparatet skal brukes uten kontrollfunksjoner). For å sette motoren i gang må man:

- Hvis varmekanonen er tilkoblet, reguler kontrollpanelet på en slik måte at motoren kan settes i gang (for eksempel, termostaten må være satt til maksimumstemperatur);
- Posisjonere bryteren 3 (Fig. 6) i stillingen med symbolet: ON -Viften vilda starte, og etter noen sekunder starter forbrenningen.

Ved første gangs bruk, eller etter fullstendig tømning av olje, kan flyten av olje gjennom oljekranen være utilstrekkelig, og føre til at flammekontrollen stopper generatoren. Når dette skjer, vent ca. et minutt, trykk på oppstartknappen 1 (Fig. 6), og start apparatet på nytt. Hvis apparatet ikke fungerer er dette de første tingene du må gjøre:

1. Kontrollere om tanken fremdeles inneholder olje;
2. Trykke på oppstartknappen 1 (Fig. 6);
3. Hvis du etter å ha gjennomført disse operasjonene ikke får generatoren til å fungere, gå til avsnittet "IDENTIFISERING AV FEIL", og finn grunnen til at varmekanonen ikke fungerer.

STANS

For å stanse apparatet når det er i funksjon må man vri bryteren 3 (Fig. 6) i nullstilling, eller man kan bruke kontrollpanelet, og regulere termostaten til en lavere temperatur. Flammen vil da slukkes, mens viften vil forsette å gå til forbrenningskammeret er helt avkjølt.

SIKKERHETSANORDNINGER

Generatoren har et elektronisk måleapparat som kontrollerer flammen under bruk. Der som det skulle oppstå en eller flere unormale tilstander under bruk, vil dette føre til at motoren stopper, og en varsellampe over oppstartknappen vil slås på 1 (Fig. 6). Dersom termostaten måler for høy temperatur, vil den føre til attilførselen av olje vil bli stanset: Termostaten vil automatisk føre til gjenoppstart når temperaturen i forbrenningskammeret minsker til under den innstilte maksimumsverdien. Før du starter generatoren på nytt, må du finne og fjerne den årsaken som har ført til overoppheting (f.eks. fysiske hinder nær luftinntaket og/eller utløpsrøret for varme, stans i viften). For å starte motoren på nytt må du trykke på oppstartknappen 1 (Fig. 6), og gjenta den framgangsmåten som blir beskrevet i avsnittet "OPPSTART".

TRANSPORT OG FLYTTING

! MERK Før man flytter apparatet må man gjøre følgende: Stanse varmekanonen som beskrevet i avsnittet over; trekke ut støpselet fra kontakten og vente til generatoren kjøles ned.

Før man løfter eller flytter generatoren må man forsikre seg om

at lokket på oljetanken sitter godt på. Generatoren leveres både i en flyttbar versjon med hjul, eller hengende, plassert på et stativ som er forankret ved hjelp av tau eller kjetting. Den førstnevnte typen kan enkelt flyttes ved å dra/rulle (generatoren etter seg med håndtaket. Den andre typen må flyttes ved hjelp av en løftevogn eller lignende.

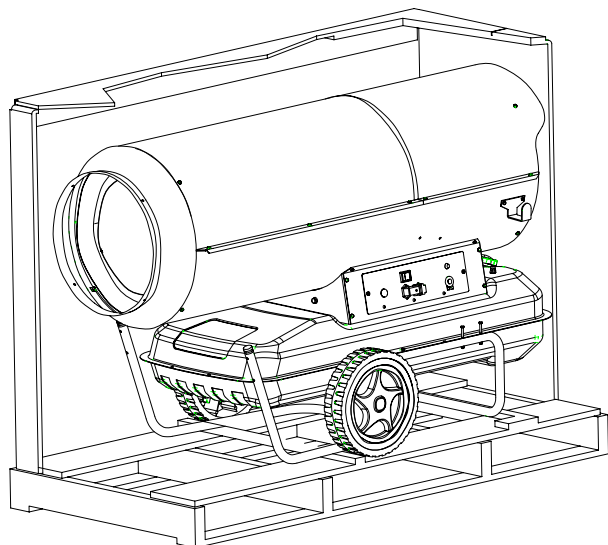
VEDLIKEHOLDSPROGRAM

For at varmekanonen skal fungere godt, må forbrenningskammeret, brenneren og viften renses med jevne mellomrom.

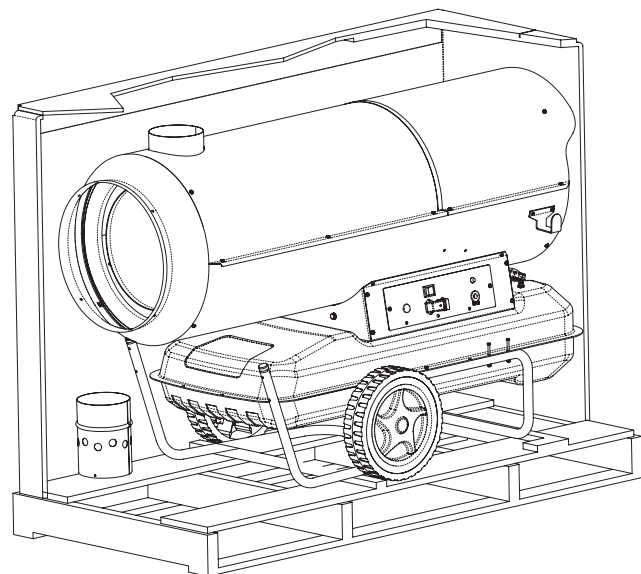
MERK Før man begynner enhver type vedlikeholdsarbeid må man: Stanse motoren slik som beskrevet i avsnittet over; koble fra elektrisitetsførselen ved å dra støpslet ut av kontakten, og vente på at generatoren avkjøles.

Hver gang varmekanonen har vært i bruk i 50 timer må man gjøre følgende:

- Demontere filterpatronen, trekke den ut av filterområdet, og rens den med ren dieselolje;
- Ta av det ytre sylindret og rens innsiden, samt bladene på viften;
- Kontrollere tilstanden til de ytre kablene, og høyspenningstertet på elektrodene;
- Demonter brenneren og rens kantene, rens elektrodene og reguler avstanden til verdiene gitt på side 61 i den skjematiske oversikten over regulering av elektrodene.

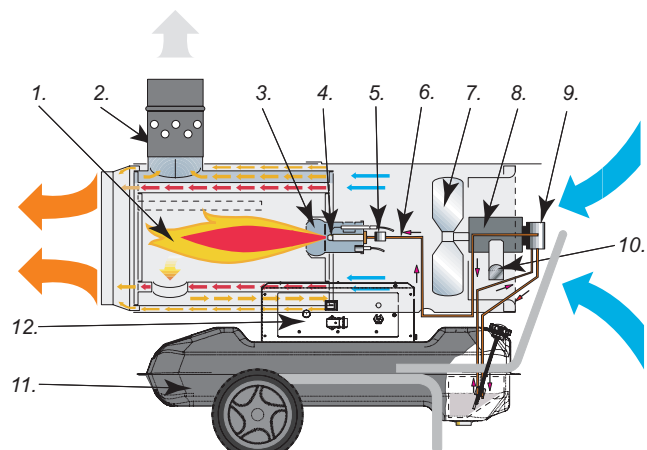


Figur 2 - Modellene B.

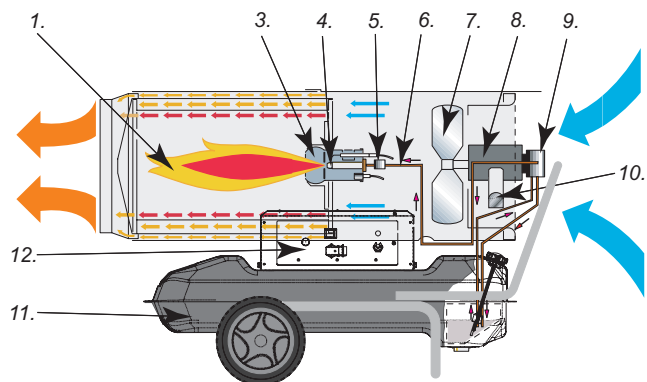


Figur 3 - Modellene BV.

SLIK FUNGEREN VARMEAPPARATET



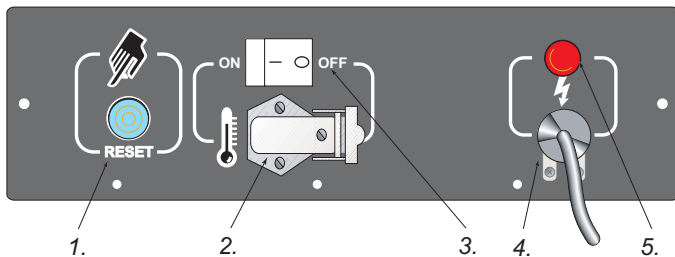
Figur 4 - Modellene BV.



Figur 5 - Modellene B.

1. Forbrenningskammer, 2. Vindbeskyttende røykutløp, 3. Brenner, 4. Kran, 5. Elektroventil, forbrenning, 6. Forbrenningskrets, 7. Vifte, 8. Motor, 9. Oljepumpe, 10. Plate for opprulling av ledning, 11. Tank, forbrenningsolje, 12. Kontrollpanel.

ELEKTRISK PANEL



1. Oppstartknapp, 2. Kontakt for romtermostaten, 3. Hovedbryter, 4. Elektrisk forsyningskabel, 5. Varsellampe, trykk.

Figur 6

IDENTIFISERING AV FEIL

FEIL OBSERVERT	MULIG ÅRSAK	LØSNING
Viften starter ikke og flammen blir ikke antent.	1 Mangel på elektrisitet. 2 Feil regulering av en evt.kontrollfunksjon. 3 Feil ved kontrollfunksjonen 4 Ledningsnett til motoren er utbrent eller avkuttet	1a Kontroller at det elektriske anlegget har de riktige spesifikasjonene (230V - 1~ - 50 Hz) 1b Kontroller at bryteren fungerer og er i riktig posisjon 1c Kontroller at sikringen er hel 2 Kontroller at kontrollfunksjonene er riktig innstilt (f.eks må termostatterperaturen være høyere enn romtemperaturen) 3 Bytt ut kontrollfunksjonsapparatet 4 Bytt motor
Viften starter og flammen blir ikke antent, eller den slukkes.	1 Antenningen fungerer ikke 2 Flammekontrollfunksjonene er defekte 3 Fotocellen fungerer ikke 4 Det kommer ikke forbrenningsolje til brenneren, eller det kommer for lite olje 5 Elektroventilen fungerer ikke	1a Kontroller alle koblinger av strømledninger til elektroder og transformator 1b Kontroller plasseringen til elektrodene, samt avstanden i forhold til skjemaet på side 8 1c Kontroller at elektrodene er rene 1d Bytt antenningstransformatoren 2 Bytt apparatet for funksjonen 3 Rens fotocellen eller bytt den ut 4a Kontroller at forbindelsen pumpe-motor er intakt 4b Kontroller at det ikke finnes infiltrasjoner av luft i oljekretsen, ved å studere at alle ledninger sitter godt, og at pakningene rundt filteret er tette 4c Rense eller bytte oljekran 5a Kontroller den elektriske tilkoblingen 5b Kontroller termostaten 5c Rense og eventuelt bytte elektroventilen
Viften stanser og flammen blir antent men produserer røyk.	1 For lite luft til å oppnå forbrenning 2 For mye luft til å oppnå forbrenning 3 Forbrenningsoljen som blir brukt er uren eller inneholder vann 4 Infiltrasjon av luft i oljekretsen 5 Det kommer ikke nok forbrenningsolje til brenneren 6 Det kommer for mye forbrenningsolje til brenneren	1a Fjerne alle mulige hinder og innsnevring på rør for innførsel og utførsel av luft. 1b Forsikre deg om at reguleringsringen for luftinntak er i riktig stilling 1c Rense brenneren 2 Forsikre deg om at reguleringsringen for luftinntak er i riktig stilling 3a Bytt ut den brukte forbrenningsoljen med ren olje 3b Rens oljefilteret 4 Kontroller at alle ledninger og pakningene rundt oljefilteret er tette 5a Sjekk trykket i pumpen 5b Rense eller bytte kranen 6a Sjekk trykket i pumpen 6b Bytt kranen
Generatoren stanser ikke	1 Festet av elektroventilen er defekt	1 Bytt hoveddelen av elektroventilen
Viften stanser ikke	1 Termostaten til viften er defekt	1 Bytt FA termostaten

INNEHÅLLSFÖRTECKNING

ÖVERSIKT AV "B" OCH "BV"	43
INFORMATION ANGÅENDE SÄKERHET	43
ATT TA BORT VÄRMAREN FRÅN	
FÖRPACKNINGEN	44
IGÅNGSÄTTNING	44
AVSTÄNGNING	44
SÄKERHETSMEKANISMER	44
FLYTTNING OCH TRANSPORTER	44
FÖREBYGGANDE UNDERHÅLL	44
FELSÖKNING	45
ÖVERGRIPANDE FUNKTIONSSCHEMA	45
KONTROLLPANEL	45
FELSÖKNING	46

ÖVERSIKT AV "B" OCH "BV"

Serie B är en linje av heta direkta värmare som bandar den från omgivningen frigivna värmen med förbrännings rester. Dessa värmare är speciellt lämpliga för uppvärmning, upptining och torkning både utomhus och i utrymmen med frekvent luftutbyte. Serie BV är en linje av indirekta värmare. Dessa generatorer har en värmeutbytare som möjliggör en separation av förbränningsavgas från den varma luften som frigges i omgivningen så att det är möjligt att införa en ström av ren varm luft i området som behöver värmas upp och att utvändigt tömma ut avgaser.

Serie B och BV varmluftsgeneratoren är designade i enlighet med gällande säkerhets-, utfärande och livsstandarder, är anpassade med säkerhetsanordningar gestaltade att garantera fortsatt drift, minimera ljud och är tillverkade av noggrant utvalda material som försäkrar maximal tillförlitlighet.

Värmarna kan anpassas med hjul för att förenkla hanteringen eller takmonteras. Deras utmärkta enskilda utföranden tillsammans med möjligheten att använda termostat garanterar yttersta flexibilitet under användning. Den yttre indikatorn som mäter bränslets mängd i reservoaren möjliggör en snabb kontroll ifall reservoaren behöver påfyllning.

INFORMATION ANGÅENDE SÄKERHET

VARNING

Viktigt: Läs noggrant igenom hela bruksanvisningen innan Ni sätter ihop, monterar, sätter igång eller utför underhåll på denna varmluftsflykt.

Användandet av varmluftsflykten kan orsaka dödsbringande kroppsskada till följd av brännskador, brand, explosion, elektrisk stöt eller koldioxidförgiftning.

LIVSFARA: Koldioxidförgiftning kan leda till döden!

Koldioxidförgiftning de första symptomen på koldioxidförgiftning är huvudvärk, yrsel och/eller illamående, det vill säga de är influensaliknande.

Sådana symptom kan bero på att värmeflykten ej fungerar korrekt. Sök omedelbart friskluft genom att förflytta Er utomhus! Se till att värmeflykten repareras. Vissa personer är mer känsliga för koldioxidpåverkan, t.ex. havande kvinnor, personer med lung- eller hjärtproblem, personer som lider av blodbrist, alkoholpåverkade personer samt personer som befinner sig på hög höjd.

Övertyga Er om att Ni läst och förstått samtliga varningar. Spara denna bruksanvisning som referens för framtiden: den ger Er information om hur Ni på ett korrekt och säkert sätt skall

använda värmeflykten.

- Använd endast dieselolja, fotogen, paraffinolja eller brännolja klass no. 1 för att undvika brand och explosion. Använd aldrig bensin, nafta, lösningsmedel för färger, alkohol eller andra extremt lättantändliga bränslen.

- Tankning

a) Personal som skall fylla på bränsle skall vara kvalificerad för uppgiften och ha fullständig kännedom om fabrikantens anvisningar och gällande föreskrifter avseende säker tankning av värmeflyktar.

b) Använd endast de bränslen som uttryckligen framgår av värmeflyktens identifieringsskylt.

c) Före tankning, släck samtliga flammor, pilotflamman inkluderad, och vänta tills värmeflykten kallnat.

d) I samband med tankningen, inspektera samtliga bränsleslangar och anslutningar i syfte att upptäcka eventuella läckage. Eventuellt läckage måste repareras innan värmeflykten startas på nytt.

e) Man får under inga omständigheter lagra eller förvara mer bränsle än vad som motsvarar en dags förbrukning i samma lokal som värmeflykten eller i dess närhet. Bränslet skall magasineras i separat, från värmeflykten åtskilt, utrymme.

f) Samtliga bränsledunkar skall förvaras på ett minimiavstånd om 0,8 m från värmeflyktar, svetsaggregat eller liknande utrustning som utgör brandrisk.

g) Om möjligt skall bränslet förvaras i lokaler med täta golv som bränslet ej kan läcka igenom för att förhindra antändning underifrån.

h) Bränslet skall förvaras i enlighet med gällande lagar, regelverk och föreskrifter.

- Använd aldrig värmeflykten i lokaler där det finns bensenångor, ångor från lösningsmedel eller andra lättantändliga ångor.

- Följ samtliga lokala föreskrifter, gällande lagar och regelverk då Ni använder värmeflykten.

- Respektera gällande säkerhetsavstånd till dukar, t.ex. markisdukar, täckdukar, och dylikt material. Rekommenderat minimiavstånd till dessa är 304,8 cm (10 fot). Användandet av icke brännbara material för dessa dukar rekommenderas. Dylikt material skall monteras fast på ett säkert sätt med hänsyn till lokala vindförhållanden samt luftflödet från värmeflykten.

- Värmeflykten skall endast användas i väl ventilerad miljö. Säkerställ en extern ventilationskanal med minimal öppning om 2,800 cm² för varje nominell effektökning om 30 kW.

- Värmeflykten skall endast användas i miljöer utan brännbara ångor och utan höga damm- eller pulverkonzentrationer.

- Spänningsmata värmeflykten endast med den på identifieringsskylten explicit angivna spänningsmatningen avseende spänning, antal faser och frekvens.

- Använd endast jordade förlängningssladdar.

- Minimalt säkerhetsavstånd mellan värmeflyktens framåtriktade utlopp och brännbara ämnen - 250 cm, uppåt, sidledes och bakåt - 125 cm.

- Ställ den varma värmeflykten på ett förhållandevis jämnt och stabilt underlag, för att undvika brandrisk.

- Under transporter eller förvaring skall värmeflykten vara i upprätt position så att bränsle ej kan läcka.

- Barn och djur skall hållas på behörigt avstånd från värmeflykten.

- Dra alltid ur nätkontakten då värmeflykten ej används.

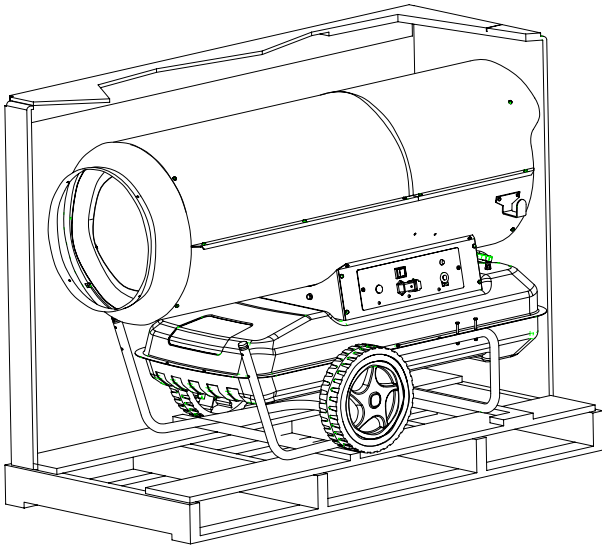
- Värmeflykten kan gå igång när som helst då den styrs av en termostat.

- Använd aldrig värmeflykten i rum där folk bor eller i sovrums.

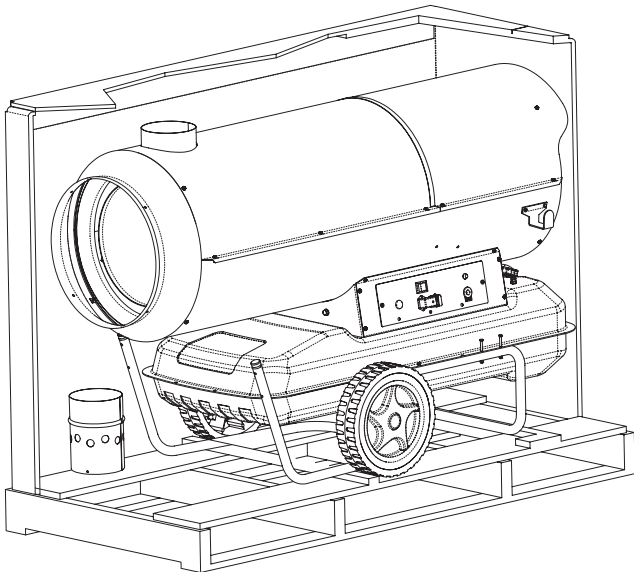
- Täck aldrig värmeflyktens luftintag (på baksidan) eller utlopp (på framsidan).

- När värmeflykten är varm, spänningsmatad eller i drift skall den aldrig flyttas, mekas med, tankas eller vara föremål för underhåll.

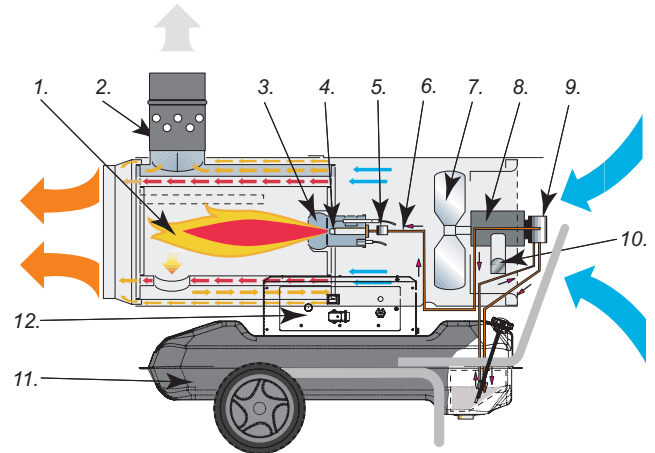
FELSÖKNING



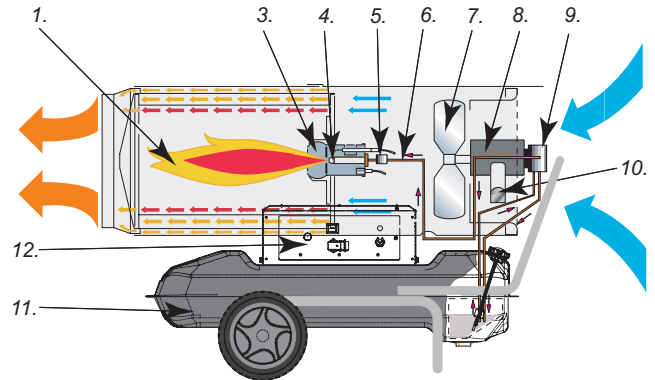
Figur 2 – Modell B.



Figur 3 – Modell BV.

ÖVERGRIPANDE
FUNKTIONSSCHEMA

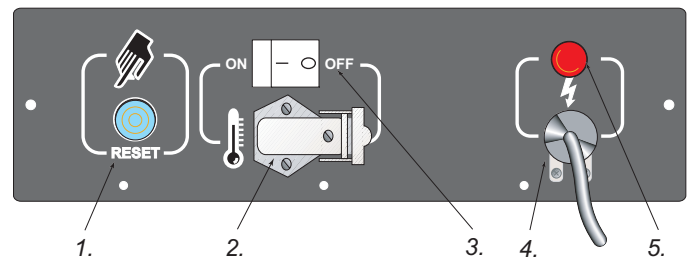
Figur 4 - Modell BV.



Figur 5 - Modell B.

1. Förbränningsrum, 2. Vindskydd för skorstensutlopp, 3. Brännare, 4. Munstycke, 5. Bränsleledningssystem, 6. Bränslepump, 7. Elektriskt styrd bränsleventil, 8. Motor, 9. Fläkt, 10. Sladdlina, 11. Bränsletank, 12. Kontrollpanel.

KONTROLLPANEL



Figur 6

1. Återställningsknapp, 2. Uttag för termostat, 3. Huvudströmbrytare, 4. Matningsström/sladd, 5. Indikatorlampas spänning.

ATT TA BORT VÄRMAREN FRÅN FÖRPACKNINGEN

- 1) Ta bort alla packningsmaterial som har använts för att skydda värmaren under transport.
- 2) Lyft papplådan.
- 3) Ta bort allt material som fäster värmaren på pallen.
- 4) Ta bort allt material som fäster skorstenen på pallen (endast för BV serien).
- 5) Placera skorstenen på avgasröret (endast för BV serien).
- 6) Sänk varsamt ner värmaren på plattformen.
- 7) Försäkra dig om att maskinen inte har skadats under transport. Om värmaren verkar skadad, meddela omedelbart alla synbara skador till återsäljaren som den är köpt av.

PACKNING OCH FÖRVARING

- 1) Försäkra dig om att värmaren inte är skadad och att det inte finns några bränsleläckage. Avlägsna överbliven bränsle från reservoaren.
- 2) Placera värmaren på pallen och fäst den på plats med lämpliga material.
- 3) Ta bort skorstenen och fäst den på pallen med lämpliga material.
- 4) Täck över värmaren med papplådan.
- 5) Fäst papplådan på pallen med lämpliga material.
- 6) Förvara värmaren på en säker och torr plats. Stapl inte flera enheter på varandra.

IGÅNGSÄTTNING

Kontrollera att apparaten spänningsmatas korrekt innan ni sätter på den genom att kontrollera att dess elkontakt sitter i en nätkontakt vars spänning, frekvens och antal faser överensstämmer med apparatens märkning (se identifieringsskylten).

VARNING: Spänningsnätet skall vara försett med skyddsjord och överströmsskydd såsom säkringar. Värmefläktens kontakt skall anslutas till en nätkontakt försedd med grupsäkring.

Värmefläkten kan fungera automatiskt endast då en styrmekanism, t.ex. en termostat eller timer, är ansluten till värmefläkten genom att ansluta den medlevererade sladdens kontakt (4) till anslutningsklämmorna 2 och 3 (elsladden som ansluter de båda anslutningsklämmorna skall alltid vara urdragen då värmefläkten ej styrs automatiskt).

För att sätta igång värmefläkten skall man:

- om den är ansluten till en styrmekanism, ställa in styrmekanismen så att den styrs på korrekt sätt (om värmefläkten t.ex. styrs av en termostat skall en maximal temperatur ställas in).
- ställa brytarkontakten (3) i läget med symbolen: ON fläkten går igång och efter ett par sekunder tänder flammen.

Då värmefläkten startas för första gången, eller då bränslet fullständigt förbrukats, kan det inträffa att förbränningsmunstycket får otillräcklig mängd bränsle vilket gör att apparaten automatiskt utför en kontroll av flammen och fläkten stannar. Låt i så fall värmefläkten vila i ca en minut, tryck sedan på inställningsknappen (1) och sätt igång värmefläkten på nytt.

Om värmefläkten ej startar:

1. Kontrollera att det finns dieselolja i tanken;
2. tryck på inställningsknappen (1);
3. Om värmefläkten fortfarande ej startar gå till avsnittet "FELSÖKNING".

AVSTÄNGNING

För att stänga av värmefläkten ställer man brytarkontakten (3) i läge "0" eller reglerar man styrmekanismen på adekvat sätt, t.ex. genom att reglera termostatens temperatur. Flammen släcks och fläkten fortsätter att gå tills förbränningsrummets temperatur sjunkit tillräckligt.

SÄKERHETSMEKANISMER

Värmefläkten är försedd med styrelektronik som styr flammen. Om driftstörning detekteras så stängs värmefläkten av automatiskt och inställningsknappen (1) tänds.

Värmefläkten är försedd med ett övervärmningsskydd i form av en termostat som automatiskt stryker bränsletillförseln om värmefläkten blir alltför varm: termostaten återställs automatiskt då temperaturen i förbränningsrummet sjunkit tillräckligt under tillåten maximal temperatur.

Innan värmefläkten startas på nytt skall orsaken till överhettningen identifieras och åtgärdas (t.ex. övertäckning av luftintag eller luftutlopp eller att fläkten ej fungerar). För att sätta igång värmefläkten; tryck på inställningsknappen (1) och repetera instruktionerna enligt ovanstående stycke "IGÅNGSÄTTNING".

FLYTTNING OCH TRANSPORTER

VARNING Innan apparaten flyttas tillse att: apparaten är avstängd enligt ovanstående instruktioner ; dra ur elsladden och vänta tills apparaten svalnat.

Innan värmefläkten flyttas eller ändrar position skall man kontrollera att tanklocket sitter ordentligt fast.

Värmefläkten levereras i mobil version, försedd med hjul, eller hängande version, fastmonterad i en fast stödanordning medelst kedjor eller vajrar. Om värmefläkten är försedd med hjul kan den flyttas helt enkelt genom att dra/skjuta på handtaget. I annat fall måste värmefläkten lyftas, transporteras och lastats med gaffeltruck eller liknande lämplig maskin.

FÖREBYGGANDE UNDERHÅLL

För att värmefläkten skall fungera korrekt är det nödvändigt att med jämna mellanrum rengöra förbränningsrummet, brännaren och fläkten.

VARNING Stäng av värmefläkten enligt ovanstående instruktioner, dra ur elsladden och låt värmefläkten svalna ordentligt innan Ni utför något som helst underhåll.

Efter varje 50-timmars driftstid skall man:

- Montera ur och isär filterkassetten och tvätta den med ren dieselolja;
- Montera av det yttre cylinderformade höljet och rengöra det på insidan samt fläktens blad;
- Kontrollera skicket på kablage och elektrodernas högspänningsdelar;
- Montera isär och rengöra brännarens delar samt rengöra elektroderna och ställa elektrodavstånd enligt sid. 8.

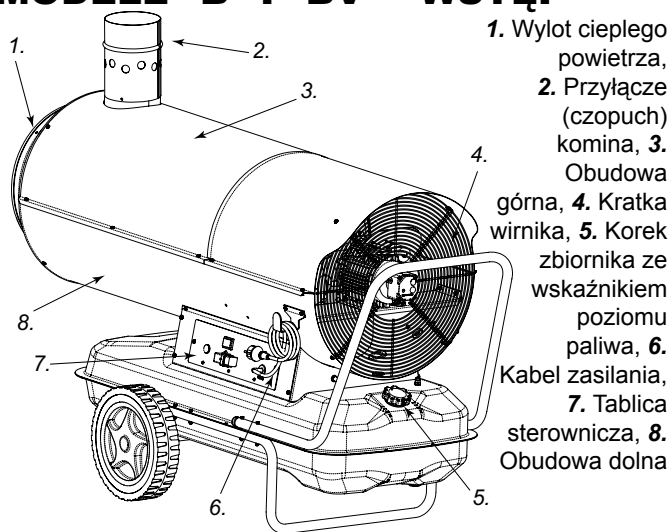
FELSÖKNING

TYP AV FEL	MÖJLIG ORSAK	ÅTGÄRD
Fläkten startar ej och flamman tänds ej	<p>1 Nätspänning saknas</p> <p>2 Felaktig inställning av eventuell styrmekanism</p> <p>3 Styrmekanism trasig</p> <p>4 Motorns lindning bränd eller har avbrott</p>	<p>1a Kontrollera nätets egenskaper (230V - 1~ - 50 Hz)</p> <p>1b Kontrollera att brytaren står rätt och att den fungerar</p> <p>1c Kontrollera att säkringen är hel</p> <p>2 Kontrollera att styrmekanismen är korrekt inställd (t.ex. att inställd temperatur för termostaten överstiger omgivningstemperaturen)</p> <p>3 Byt ut styrmekanismen</p> <p>4 Byt motorn</p>
Fläkten startar och flamman tänds ej eller släcks	<p>1 Startmekanismen fungerar ej</p> <p>2 Flamstyrningen defekt</p> <p>3 Fotocell fungerar ej (commento: ho interpretato fotoresistenza come l'inglese 'photocell', se invece si intende l'inglese 'diode lamp', la parole svedese é 'lysdiod'.)</p> <p>4 Otillräcklig mängd bränsle når brännaren</p> <p>5 Elventilen fungerar ej</p>	<p>1a Kontrollera elektrodernas och transformatorns kabelanslutningar</p> <p>1b Kontrollera elektrodernas position och avstånd enligt sid. 8</p> <p>1c Kontrollera att elektroderna är rena</p> <p>1d Byt starttransformator</p> <p>2 Byt ut apparaturen</p> <p>3 Rengör fotocellen eller byt den</p> <p>4a Kontrollera att hopkopplingen mellan pumppmotor är hel</p> <p>4b Kontrollera att det inte finns luftläckage in i bränsleledningssystemet genom trycksatta ledningarna och bränslefiltrets anslutningar.</p> <p>4c Rengör, eller om nödvändigt byt ut, munstycket</p> <p>5a Kontrollera nätanslutningen</p> <p>5b Kontrollera termostaten LI</p> <p>5c Rengör, eller om nödvändigt byt ut, elventilen</p>
Fläkten startar och flamman tänds med rökutveckling	<p>1 Otillräcklig mängd förbränningsluft</p> <p>2 För stor mängd förbränningsluft</p> <p>3 Dieseloljan innehåller smuts, föroreningar eller vatten</p> <p>4 Luftläckage in i dieseln rörsystem.</p> <p>5 Otillräcklig mängd diesel till brännaren</p> <p>6 För stor mängd diesel till brännaren</p>	<p>1a Avlägsna alla hinder för en fri lufttillförsel och/eller luftbortförsl till/från värmefläktens luftintag och/eller utlopp.</p> <p>1b Verifiera luftregleringsringens position</p> <p>1c Rengör brännskivan</p> <p>2 Verifiera luftregleringsringens position</p> <p>3a Byt ut använd dieselolja mot ny, ren dieselolja</p> <p>3b Byt ut bränslefiltret</p> <p>4 Kontrollera och säkerställ att rören och bränslefiltrets anslutningar ej läcker.</p> <p>5a Säkerställ korrekt pumptryck</p> <p>5b Rengör eller byt ut munstycket</p> <p>6a Säkerställ korrekt pumptryck</p> <p>6b Byt ut munstycket</p>
Värmefläkten går ej att stänga av	<p>1 Elventilen fungerar ej korrekt</p>	<p>1 Byt ut elventilsenheten</p>
Fläkten stannar ej	<p>1 Fläktens termostat defekt.</p>	<p>1 Byt termostaten FA</p>

SPIS TREŚCI

MODELE "B" I "BV" - WSTĘP	47
PODSTAOWE NORMYBEZPIECZEŃSTWA	47
ROZPAKOWANIE URZĄDZENIA	48
ROZRUCH	48
WYŁĄCZENIE	48
URZĄDZENIA ABEZPIECZAJĄCE	48
TRANSPORT I PRZESTAWIENIE	48
PROGRAM PREWENCYJNEJ KONSERWACJI	49
ZASADA DZIAŁANIA	49
TABLICA ELEKTRYCZNA	50
EWENTUALNE USTERKI	50

MODELE "B" I "BV" - WSTĘP



1. Wylot ciepłego powietrza,
2. Przyłącze (czopuch) komina,
3. Obudowa górna,
4. Kratka wirnika,
5. Korek zbiornika ze wskaźnikiem poziomu paliwa,
6. Kabel zasilania,
7. Tablica sterownicza,
8. Obudowa dolna

Modele B to nagrzewnice bez odprowadzenia spalin, w których wydychane gorące powietrze miesza się z produktami procesu spalania. Urządzenia tego typu przeznaczone są do ogrzewania, rozmrażania i suszenia na zewnątrz lub w miejscach o częstej wymianie powietrza.

Modele BV to nagrzewnice z odprowadzeniem spalin. Urządzenia te, wyposażone w wymiennik ciepła, umożliwiają rozdzielenie produktów spalania od ogrzanego powietrza. Do pomieszczenia uchodzi więc strumień czystego gorącego powietrza, a spaliny wyprowadzane są na zewnątrz.

Urządzenia grzewcze obu serii: B i BV zostały skonstruowane zgodnie z obowiązującymi normami bezpieczeństwa i jakości oraz wyposażone w zabezpieczenia gwarantujące przystosowanie do pracy ciągłej i minimalizację poziomu hałasu. Starannie dobrane w procesie produkcyjnym surowce zapewniają ich długie i bezawaryjne funkcjonowanie.

Dla ułatwienia obsługi wszystkie modele można wyposażyć w kółka lub podwiesić pod sufitem. Wysoka wydajność oraz możliwość podłączenia termostatu sprzyjają wszechstronnemu zastosowaniu urządzeń, a zewnętrzny wskaźnik poziomu paliwa pozwala łatwo ustalić, kiedy należy napełnić zbiornik.

PODSTAOWE NORMYBEZPIECZEŃSTWA

! POUCZENIA

WANE: przed rozpoczęciem montau, uruchomienia urządzenia, czy te jakiegokolwiek działalności z wiązanej konserwacją nagrzewnicy należy uwanie przeczyta izrozumie niniejszą instrukcję. Uytkowanie nagrzewnicy moe spowodow powane, a take śmiertelne uszkodzenia na skutek oparzeń, poaru, wyładowań elektrycznych, bądź te zaduszenia (asfiksja) tlenkiem węgla.

! NIEBEZPIECZEŃSTWO: ZADUSZENIE TLENKIEM WĘGLA MOE BY ŚMIERTELNE!

ZADUSZENIE TLENKIEM WĘGLA Pierwsze objawy zaduszenia tlenkiem węgla przypominają symptomy grypy: silne bóle i zawroty głowy, a tak e nudności. Objawy te mogą by spowodowane nieprawidłowym funkcjonowaniem nagrzewnicy. Natychmiast wyjs na zewnątrz! Naprawi nagrzewnic . Niektórzy silniej odczuwają skutki działania tlenku węgla, w szczególności kobiety w ciąży, ci którzy cierpią na choroby krą enia, choroby płucne, anemicy, alkoholicy, i ci którzy znajdują się w miejscowościach położonych wysoko nad poziomem morza. Uwa nie przeczyta i zrozumie wszystkie pouczenia. Zachowa na przyszłość instrukcję zawierającą cenne informacje. Pełni ona funkcję przewodnika w celu prawidłowego i bezpiecznego działania nagrzewnicy.

- Uywa tylko oleju opałowego n° 1 eliminując w ten sposób ztyko po aru lub wybuchu. Nigdy nie uywa benzyny, nafty, rozpuszczalników do farb i lakierów, alkoholu lub innych paliw silnie łatwopalnych.
- Napełnienie zbiornika
 - a) Personel odpowiedzialny za uzupełnienie paliwa musi by wykwalifikowany i w pełni obeznany z zaleceniami producenta, i z obowiązującymi normami co do bezpiecznego napełnienia zbiornika nagrzewnicy.
 - b) Uywa tylko typu paliwa wyraźnie określonego na tabliczce identyfikacyjnej nagrzewnicy.
 - c) Przed dokonaniem uzupełnienia paliwa zgasi wszystkie płomienie, wraz z tym głównym, i poczeka a nagrzewnica się ochłodzi.
 - d) W celu napełnienia zbiornika, sprawdzi całość obwodu paliwa i odpowiednie połączenia, w poszukiwaniu ewentualnych wycieków. Jakikolwiek wyciek nale y naprawi przed ponownym uruchomieniem urządzenia.
 - e) Pod adnym względem nie nale y przechowywa w tym samym budynku, w pobli u nagrzewnicy, większej ilości paliwa ni tej potrzebnej do rozruchu na jeden dzief. Zbiorniki do magazynowania paliwa powinny znajdowa się w osobnym budynku.
 - f) Wszystkie zbiorniki paliwa muszą znajdowa się w pomieszczeniu na minimalną odległość od nagrzewnicy, palników wodorotlenowych, przyrządów do spawania i podobnych źródeł zapalania (z wyjątkiem zbiornika paliwa wewnątrz nagrzewnicy).
 - g) Mo liwie za ka dym razem, paliwo powinno by przechowywane w pomieszczeniach, w których podłoga nie ułatwia rozprzestrzenienia i ciągłego kapania tego paliwa na rozpraszające się płomienie, które mogą by przyczyną po aru.
 - h) Paliwo nale y przechowywa zgodnie z obowiązującymi normami.

- Nigdy nie używaj nagrzewnic w pomieszczeniach, w których znajduje się benzyna, rozpuszczalniki do farb i lakierów, bądź te inne substancje silnie łatwopalne.
- Podczas użytkowania nagrzewnicy należy przestrzegać wszystkich lokalnych przepisów i obowiązujących norm.
- Nagrzewnice używane w pobliżu plandek, zasłon lub innych materiałów nakryciowych muszą być usytuowane w bezpiecznej odległości od nich. Zaleca się używanie materiałów do nakrycia typu ognioodpornego. Materiały te należy zamocować w sposób bezpieczny, aby wykluczyć zetknięcie się z ogniem i uniknąć interferencji spowodowanej wiatrem z nagrzewnicy.
- Używaj wyłączników w pomieszczeniach, w których nie ma par łatwopalnych lub wysokiej akumulacji kurzu.
- Zasilaj nagrzewnicę tylko prądem mającym napięcie, częstotliwość i liczbę faz wyszczególnionych na tabliczce identyfikacyjnej.
- Używaj tylko przedłużyaczy lub trzy przewody połączonych odpowiednio z uziemieniem.
- Ustaw ciepłą lub uruchomioną nagrzewnicę na stabilnej, wy poziomowanej powierzchni w celu uniknięcia ryzyka porażenia.
- Kiedy się przesuwa i poddaje konserwacji należy utrzymać ją zawsze w pozycji wy poziomowanej unikając w ten sposób wycieku paliwa.
- Utrzymuj ją w bezpiecznej odległości od nagrzewnicy dzieci i zwierzęta.
- W momencie nie używania odłącz nagrzewnicę od wtyczki sieci.
- Jeśli nagrzewnica jest kontrolowana przez termostat może uruchomić się w określonym momencie.
- Nie używaj nagrzewnicy w pokojach mieszkalnych, sypialni.
- Nigdy nie blokuj wlotu powietrza (część tylna), ani te wylotu powietrza (część przednia) nagrzewnicy.
- Kiedy nagrzewnica jest ciepła, podłączona do sieci nigdy nie należy jej przesuwać, poruszać, napełniać zbiornik, ani te poddawać jakimkolwiek działaniom konserwacyjnym.

ROZPAKOWANIE URZĄDZENIA

1. Usunąć wszelkie elementy opakowania zabezpieczające urządzenie w czasie transportu.
2. Podnieść kartonowe opakowanie.
3. Usunąć mocowania urządzenia na palecie.
4. Zdjąć mocowanie komin na palecie (tylko modele BV)
5. Umieścić komin na przewodzie odprowadzającym spaliny (tylko modele BV)
6. Uważnie opuścić urządzenie na podłogę.
7. Sprawdzić, czy urządzenie nie zostało uszkodzone w czasie transportu. W przypadku uszkodzenia natychmiast skontaktować się z sprzedawcą w miejscu zakupu.

PAKOWANIE I PRZECHOWYWANIE

1. Sprawdzić, czy urządzenie nie uległo uszkodzeniu oraz czy nie nastąpił wyciek paliwa. Dokładnie opróżnić zbiornik paliwa.
2. Umieścić urządzenie na palecie i odpowiednio umocować.
3. Zdjąć komin i przytwierdzić go do palety.
4. Przykryć urządzenie kartonowym opakowaniem.
5. Umocować karton na palecie przy użyciu odpowiednich taśm.
6. Przechowywać w bezpiecznym i suchym miejscu. Nie piętrować.

ROZRUCH

Przed uruchomieniem generatora tzn. przed jego podłączeniem do sieci elektrycznej zasilania należy sprawdzić czy dane dotyczące opisu sieci elektrycznej zasilania zgadzają się z tymi na tabliczce identyfikacyjnej.

UWAGA: Sieć elektryczna zasilania generatora musi być wyposażona w uziemienie i w wyłącznik magnetotermiczny dyferencjalny. Wtyczka elektryczna generatora musi być podłączona do gniazda wyposażonego w wyłącznik sekcyjny.

Generator może funkcjonować w sposób automatyczny, ale tylko w momencie, w którym jedno z urządzeń kontroli (np. termostat lub zegar) jest z nim połączone za pomocą kabla na zaciski 2 e 3 wtyczki 2 (Rys. 6) będącej w wyposażeniu (przewód elektryczny, który łączy dwa zaciski musi być odłączony, i ewentualnie ponownie zamontowany, tylko gdy wybiera się funkcjonowanie bez urządzenia kontroli).

Aby uruchomić maszynę należy:

- regulować urządzenie kontroli (jeżeli podłączone) w taki sposób, aby uzyskać rozruch (np., termostat musi być ustawiony na maksymalną temperaturę);
- przesunąć wyłącznik 3 (Rys. 6) do pozycji oznaczonej symbolem: ON włączy się wentylator i po kilku sekundach rozpoczyna się spalanie.

W momencie pierwszego rozruchu i po całkowitym opróżnieniu obwodu oleju, przepływ oleju do dyszy może być opóźniony i spowodować sygnalizację aparatury kontroli płomienia, która wyłączy generator; w tym wypadku po odczekaniu 1 minuty wcisnąć przycisk włączania ręcznego 1 (Rys. 6) i ponownie włączyć urządzenie. Pierwsze czynności do wykonania w razie niemożności rozruchu urządzenia:

1. Sprawdzić czy w zbiorniku znajduje się jeszcze olej;
2. Wcisnąć przycisk włączania ręcznego 1 (Rys. 6);
3. Jeśli po tych czynnościach generator się nie włączy należy szukać wyjaśnień w paragrafie "EWENTUALNE USTERKI" odkryw przyczynę braku rozruchu.

WYŁĄCZENIE

Aby unieruchomić funkcjonowanie urządzenia należy przesunąć wyłącznik 3 (Rys. 6) do pozycji "0". Wyłączenie nagrzewnicy nastąpi również w momencie obniżenia temperatury (regulacja termostatu na urządzeniu kontroli). Płomień zgaśnie, a wentylator będzie się jeszcze obracał, a do całkowitego ochłodzenia się komory spalania.

URZĄDZENIA ABEZPIECZAJĄCE

Generator jest wyposażony w elektroniczną aparaturę kontroli płomienia. Jeśli nastąpi weryfikacja jednej lub większej ilości nieprawidłowości funkcjonowania aparatura ta blokuje maszynę i zapala się wskaźnik przycisku włączania ręcznego 1 (Rys. 6). Jeśli generator się przegrzeje termostat wzrostu temperatury powoduje wyłączenie zasilania paliwa: termostat wyłączy się automatycznie gdy temperatura w komorze spalania obniży się do maksymalnej wartości dopuszczalnej.

Przed ponownym rozruchem generatora należy rozpoznać i wyeliminować przyczynę, która spowodowała przegrzanie (np., zatkanie otworu ssania powietrza lub przepływu powietrza, wyłączenie wentylatora). Aby uruchomić maszynę należy wcisnąć przycisk włączania ręcznego 1 (Rys. 6) i powtórzyć czynności z paragrafu "ROZRUCH".

TRANSPORT I PRZESTAWIENIE

UWAGA Przed przesunięciem maszyny należy: wyłączyć nagrzewarkę (zobacz wskazówki w poprzednim paragrafie), przerwać zasilanie elektryczne wyciągając wtyczkę z gniazda i poczekać, aż generator się ochłodzi.

Przed przesunięciem lub podniesieniem generatora należy się upewnić, czy korek zbiornika jest odpowiednio zakręcony. Generator może być wyposażony w wersję przenośną, w kółka lub wiszącą zamontowaną na strukturze podtrzymującej z umocowaniami do zainstalowania za pomocą lin i łańcuchów. W pierwszym przypadku, jeśli chodzi o transport, wystarczy przytrzymać za uchwyt podpory i przesunąć na kółka. Natomiast w przypadku podniesienia musi być użyty wózek podnośny lub podobne urządzenie.

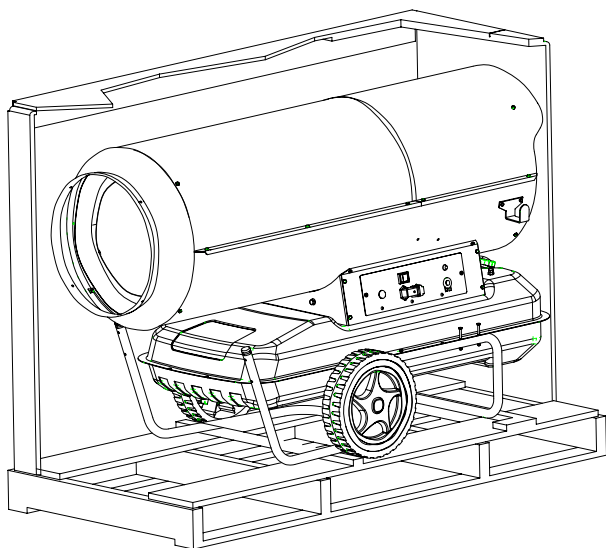
PROGRAM PREWENCYJNEJ KONSERWACJI

W celu prawidłowego funkcjonowania maszyny należy ją czyścić okresowo: komorę spalania, palnik i wentylator.

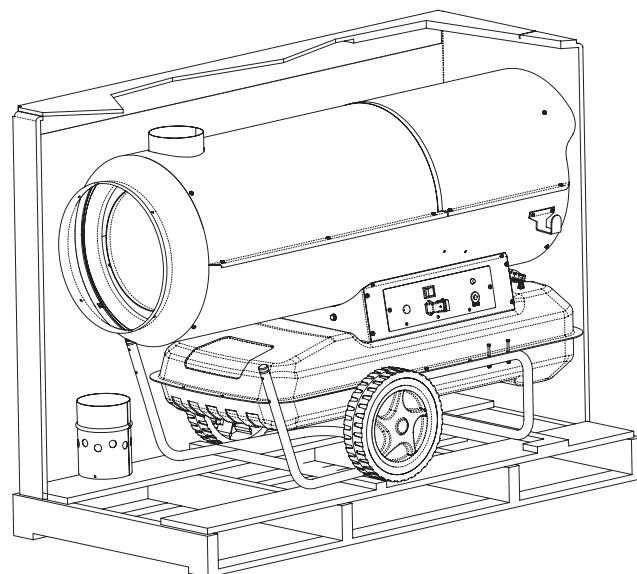
! UWAGA Przed rozpoczęciem jakiegokolwiek działania związanej z konserwacją należy: wyłączyć nagrzewnicę (zobacz wskazówki w poprzednim paragrafie); wyłączyć zasilanie elektryczne wyciągając wtyczkę z gniazda i poczekać, aż generator się ochłodzi.

Raz na 50 godzin pracy należy:

- Zdjąć wkładkę filtra, wyciągnąć i wyczyścić czystym olejem;
- Zdjąć zewnętrzną osłonę cylindra, wyczyścić wewnątrz i wyczyścić łopatkę wentylatora;
- Sprawdzić stan kabli i złączy o wysokim napięciu na elektrodach;
- Wymontować palnik i wyczyścić jego części, wyczyścić elektrody i uregulować odległość na odpowiednią wartość (paragraf 8 - schemat regulacji elektrod).

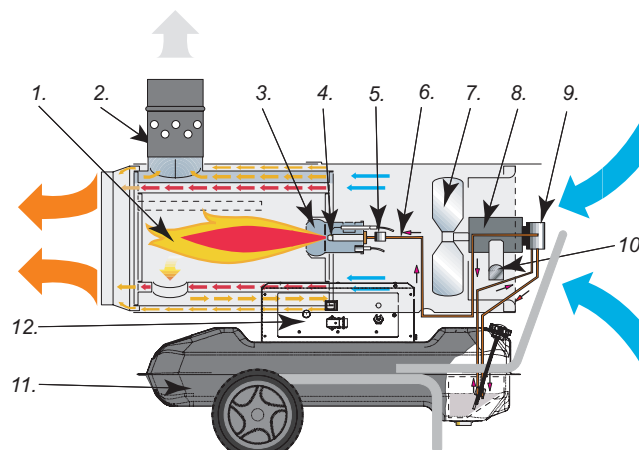


Rysunek 2 - Model B.

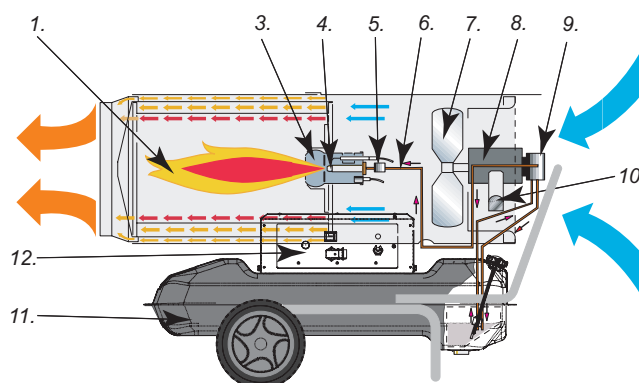


Rysunek 3 - Model B.V.

ASADA DZIAŁANIA



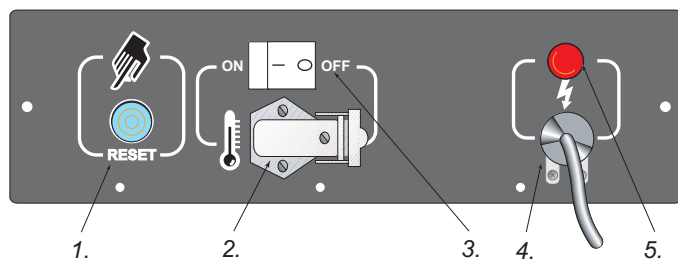
Rysunek 4 - Model B.V.



Rysunek 5 - Model B.

1. Komora spalania, 2. Przeciwwietrzne przyłącze (czopuch) komina, 3. Palnik, 4. Dysza, 5. Elektrozwór paliwa, 6. Obwód paliwa, 7. Wentylator, 8. Silnik, 9. Pompa paliwowa, 10. Hak uzwojenia kabla, 11. Zbiornik paliwa, 12. Tablica sterownicza.

TABLICA ELEKTRYCZNA



1. Przycisk włączania ręcznego, 2. Gniazdo dla termostatu pokojowego, 3. Główny wyłącznik, 4. Kabel zasilania, 5. Wskaźnik napięcia.

Rysunek 6

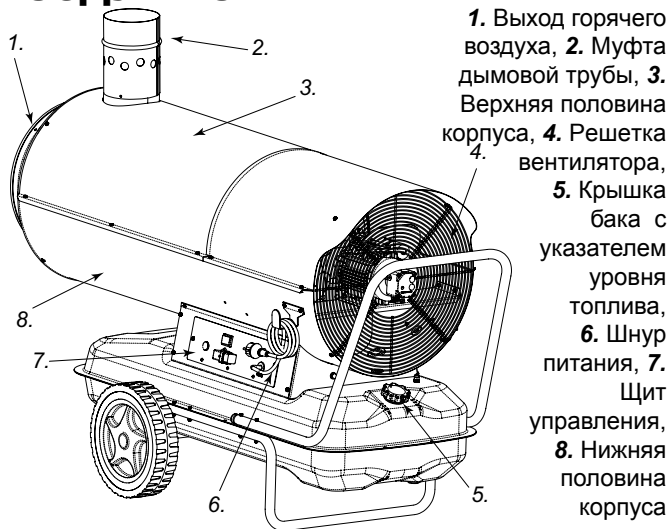
EWENTUALNE USTERKI

ZAObSERWOWANY PROBLEM	MO LIWA PRZYCZYNA	ROZWIĄZANIE
Wentylator nie ma obrotów i płomień się nie zapala.	1 Brak prądu 2 Błędne ustawienie ewentualnego urządzenia kontroli 3 Wadliwe urządzenie kontroli 4 Spalone lub zablokowane uzwojenie silnika	1a Sprawdzi właściwości instalacji elektrycznej (230V - 1~ - 50 Hz) 1b Skontrolowa położenie i działanie wyłącznika 1c Sprawdzi całość bezpiecznika topikowego 2 Sprawdzi czy ustawienie urządzenia kontroli jest poprawne (np, wybrana temperatura na termostacie musi być wyższa od temperatury pokojowej) 3 Wymieni urządzenie kontroli 4 Wymieni silnik
Wentylator obraca się lecz płomień się nie zapala lub blokuje	1 Brak zapłonu 2 Aparatura kontroli-wadliwy płomień 3 Uszkodzona fotokomórka 4 Paliwo nie dochodzi do palnika lub jest w ilości niewystarczającej 5 Uszkodzony elektrozawór	1a Sprawdzi złącza kabli zapłonu z elektrodami i z transformatorem 1b Skontrolowa położenie elektrod i ich odległość wg schematu na str. 8 1c Sprawdzi czy elektrody są czyste 1d Wymieni transformator zapłonu 2 Wymieni aparaturę 3 Wyczyści lub wymieni fotokomórkę 4a Skontrolowa całość połączenia pompy-silnika 4b Sprawdzi czy nie następuje przenikanie powietrza do obwodu paliwa kontrolując szczelność przewodów i uszczelki filtra 4c Wyczyści, a jeśli konieczne wymieni dyszę 5a Sprawdzi złącze elektryczne 5b Skontrolowa termostat LI 5c Wyczyści lub ewentualnie wymieni elektrozawór
Wentylator obraca się i płomień się zapala wytwarzając dym	1 Niewystarczający strumień powietrza w komorze spalania 2 Zbyt silny strumień powietrza w komorze spalania 3 Paliwo zanieczyszczone lub zawierające wodę 4 Przenikanie powietrza do obwodu paliwa 5 Niewystarczająca ilość oleju w palniku 6 Zbyt duża ilość paliwa w zbiorniku	1a Usunąć wszystkie przeszkody lub odblokować zatkanie przewodów ssawnych, czy te przewodu zasilającego powietrze 1b Sprawdzi pozycję pierścienia regulacji powietrza 1c Wyczyści tarczę palnika 2 Sprawdzi pozycję pierścienia regulacji powietrza 3a Wymieni użyte paliwo na czyste 3b Wyczyści filtr paliwa 4 Skontrolowa szczelność przewodów i uszczelki filtra 5a Sprawdzi wartość ciśnienia pompy 5b Wymieni lub wyczyści dyszę 6a Sprawdzi wartość ciśnienia pompy 6b Wymieni dyszę
Generator nie zatrzymuje się	1 Wadliwa szczelność elektrozaworu	1 Wymieni obudowę elektrozaworu
Wentylator nie zatrzymuje się	1 Wadliwy termostat wentylatora	1 Wymieni termostat FA

СОДЕРЖАНИЕ

ОПИСАНИЕ НАГРЕВАТЕЛЕЙ ВОЗДУХА СЕРИЙ “В” И “ВУ”	51
ПРАВИЛА ТЕХНИКИ БЕЗОПАСНОСТИ	51
ИЗВЛЕЧЕНИЕ ОБОГРЕВАТЕЛЯ ИЗ УПАКОВКИ	52
ЗАПУСК	52
ОСТАНОВКА	52
КОНТРОЛЬНЫЕ УСТРОЙСТВА	52
ТРАНСПОРТИРОВКА И ПЕРЕМЕЩЕНИЕ	52
ПРОГРАМА РОФИЛАКТИЧЕСКОГО ОБСЛУЖИВАНИЯ	53
ПРИНЦИП РАБОТЫ	53
ЭЛЕКТРОЩИТ	54
ОПРЕДЕЛЕНИЕ НЕИСПРАВНОСТЕЙ	54

ОПИСАНИЕ НАГРЕВАТЕЛЕЙ ВОЗДУХА СЕРИЙ “В” И “ВУ”



1. Выход горячего воздуха, 2. Муфта дымовой трубы, 3. Верхняя половина корпуса, 4. Решетка вентилятора, 5. Крышка бака с указателем уровня топлива, 6. Шнур питания, 7. Щит управления, 8. Нижняя половина корпуса

Установки серии “В” – это линия нагревателей прямого нагрева, смешивающих теплый воздух с продуктами сгорания. Эти обогреватели используются для обогрева, размораживания и сушки, как на открытом воздухе, так и в постоянно проветриваемых помещениях. Установки серии “ВУ” – это линия нагревателей непрямого нагрева. Эти генераторы оборудованы теплообменником, что позволяет отделять образующиеся в процессе сгорания выхлопные газы от горячего воздуха. Таким образом, в пространство, которое должно быть обогрето, подается струя чистого теплого воздуха, а продукты сгорания выпускаются наружу. Продукты серии “В” и “ВУ” – генераторы горячего воздуха – разработаны в соответствии с современными стандартами по безопасности, эксплуатационным качествам и уровню жизни, долговечны, надежны, экологически безопасны.

Нагреватели могут быть оснащены колёсиками для облегчения передвижения, могут быть также прикреплены к потолку. Их превосходные эксплуатационные качества, такие как возможность использования термостата, гарантируют большую гибкость в использовании. Внешний индикатор обеспечивает возможность быстрой проверки уровня топлива в баке.

ПРАВИЛА ТЕХНИКИ

БЕЗОПАСНОСТИ

МЕРЫ ПРЕДОСТОРОЖНОСТИ

ВАЖНО: Внимательно ознакомиться с данной инструкцией по эксплуатации перед началом сборки, включения или каких-либо работ по техническому обслуживанию калорифера. Неправильная эксплуатация прибора может привести к тяжелым травмам или смертельным случаям вследствие ожога, пожара, взрыва, удара электрического тока или отравления угарным газом.

ОПАСНО: Отравление угарным газом может привести к смертельному исходу!

Отравление угарным газом напоминают начальную стадию гриппа: головная боль, головокружение и/или тошнота. Подобные симптомы могут быть вызваны неисправностями в работе калорифера. В этом случае необходимо немедленно выйти на свежий воздух! Произвести ремонт калорифера. Отдельные группы людей, такие как беременные женщины, люди, страдающие болезнями сердца, легких, малокровием, а также люди в состоянии алкогольного опьянения или же находящиеся на высоте, могут быть особенно чувствительны к воздействию угарного газа. Внимательно ознакомьтесь со всеми мерами безопасности. Сохраняйте настоящее руководство, для возможности дальнейшей консультации, в целях правильной и безопасной эксплуатации калорифера.

- Использовать только жидкое топливо №1 во избежание опасности пожара или взрыва. Ни в коем случае не использовать бензин, нефтепродукты, растворители для красок, спирт или какие-либо другие легковоспламеняющиеся горючие материалы.
- Заправка
 - а) технический персонал, отвечающий за заправку топливом, должен иметь соответствующую квалификацию и хорошо знать инструкцию по эксплуатации предоставляемую производителем, а также действующих норматив по безопасной заправке калориферов.
 - б) использовать исключительно тип топлива, указанный на табличке технических данных калорифера.
 - в) прежде чем производить заправку, выключить все горелки, включая контрольный факел зажигания и подождать, пока калорифер не остынет.
 - г) в процессе заправки проверить все линии проводки топлива, а также соответствующие соединения, с целью обнаружения возможных утечек. Любая утечка должна быть устранена перед тем, как запускать калорифер.
 - д) ни в коем случае не хранить том же помещении, вблизи калорифера, большое количество топлива, чем то, что необходимо для поддержания калорифера в работе в течение одного дня. Цистерны для хранения топлива должны располагаться в отдельном помещении.
 - е) все резервуары с топливом должны находиться на расстоянии от калориферов, водородно-кислородных горелок, сварочного оборудования или других подобных источников возможного воспламенения (за исключением топливного бака, вмонтированного в корпус калорифера).
 - ж) при возможности, хранить топливо в помещениях, с непроницаемым для него половым покрытием, во избежание попадания топлива на нижерасположенные горелки, что может привести к возгоранию.
 - з) хранение топлива должно производиться в соответствии с действующими нормативами.
- Не использовать калорифер в помещениях, где находятся бензин, растворители для красок или подобные

легковоспламеняющиеся пары.

- В процессе использования придерживаться всех местных распоряжений и действующих нормативов по технике безопасности.
- Калориферы, используемые в непосредственной близости от занавесей, чехлов или каких-либо других подобных материалов, должны располагаться на безопасном расстоянии от последних. Рекомендуются также использовать огнестойкие кровельные материалы, которые должны устанавливаться таким образом, чтобы избежать возможного контакта с пламенем и возгорания или помех, создаваемых ветром.
- Не использовать в помещениях, где присутствуют легковоспламеняющиеся пары или высокая концентрация пыли.
- Подключать калорифер только к сети питания, имеющей характеристики напряжения, частоты и количества фаз указанные на табличке технических данных.
- Использовать исключительно трехпроводные удлинители, заземленные соответствующим образом.
- Во избежание риска пожара размещать нагретый или работающий калорифер на устойчивой и ровной поверхности.
- При переносе и хранении поддерживать калорифер в ровном положении, во избежание вытекания топлива.
- Хранить и использовать в недоступном для детей и животных месте.
- При не использовании отключать калорифер от сети питания.
- Если работа калорифера контролируется термостатом, он может включиться в любой момент.
- Не использовать калорифер в спальнях или каких-либо других жилых помещениях.
- Не заслонять ни в коем случае входное отверстие воздуха (в задней части) а также отверстие выхода воздуха (в передней части прибора).
- Если калорифер нагрет, подключен к сети или находится в рабочем состоянии, не переносить, не двигать не заправлять и не производить каких-либо действий по его обслуживанию.

ИЗВЛЕЧЕНИЕ ОБОГРЕВАТЕЛЯ ИЗ УПАКОВКИ

1. Вынуть из упаковки все элементы, используемые для безопасной транспортировки обогревателя.
2. Поднять картонную коробку.
3. Удалить все элементы, прикрепляющие обогреватель к поддону.
4. Удалить все элементы, прикрепляющие муфту выхлопной трубы к поддону (только для серии "BV").
5. Установить муфту выхлопной трубы на обогреватель (только для серии "BV").
6. Аккуратно установить обогреватель на пол.
7. Проверить, не было ли оборудование повреждено во время транспортировки. Если обнаружатся повреждения, незамедлительно сообщить о них дилеру, который поставил оборудование.

УПАКОВКА И ХРАНЕНИЕ

1. Проверить не был ли обогреватель поврежден и не просачивается ли топливо. Удалить остатки топлива из резервуара.
2. Установить обогреватель на поддон и закрепить его на месте, используя соответствующие материалы.
3. Снять выхлопную трубу и закрепить её на поддоне, используя соответствующие материалы.
4. Закрыть обогреватель картонной коробкой.
5. Закрепить картонную коробку на поддоне, используя

соответствующие материалы.

6. Хранить обогреватель в безопасном и сухом месте. Не складывать все элементы вместе "в кучу".

ЗАПУСК

Прежде чем запускать генератор, т.е. перед непосредственно подсоединением его к сети электропитания, проверить, соответствуют ли характеристики электросети параметрам, указанным на табличке технических данных прибора.

ВНИМАНИЕ: линия электропередачи генератора должна быть оснащена устройством заземления или дифференциальным электромагнитным выключателем. Электрическая вилка генератора должна отключаться к розетке, имеющей переключатель разделитель.

Генератор может работать в автоматическом режиме, только тогда, когда контрольное устройство, такое как, термостат или часы, подключено к генератору с помощью провода, имеющего контактные зажимы 2 и 3, которые соединены с вилкой 2 (Рис 6), поставляемой в комплекте с генератором (электрический шнур, соединяющий два контактных зажима, должен быть удален и переустановлен только в случае, когда генератор работает без контрольного устройства). Перезапуск прибора производится следующим образом:

- если прибор подключен, отрегулировать контрольное устройство на рабочий режим (например, термостат должен быть установлен на максимальную температуру);
- установить переключатель 3 (Рис 6) в положение, обозначенное символом Вентилятор начнет работать, и через несколько секунд произойдет воспламенение.

При первом пуске или после полного опорожнения цепи подачи топлива, приток горючего к форсунке может быть недостаточным, что приведет к включению в работу устройства контроля пламени, которое заблокирует генератор. В этом случае подождать около минуты и нажать кнопку перезапуска. В случае, если прибор не работает, выполнить следующие операции:

1. Проверить наличие топлива в баке;
2. Нажать кнопку перезапуска 1 (Рис 6);
3. Если после этих операций генератор не работает, обратиться к параграфу "ИСПРАВЛЕНИЕ НЕПОЛАДОК" и определить причину неисправности.

ОСТАНОВКА

Для остановки работы прибора установить переключатель 3 (Рис 6) в положение "0" или задействовать контрольное устройство, например, установив термостат на более низкую температуру. Пламя погаснет, а вентилятор продолжит работать, пока камера сгорания полностью не остынет.

КОНТРОЛЬНЫЕ УСТРОЙСТВА

Прибор оснащен электрическим устройством, контролирующим пламя. В случае выявления одной или нескольких аномалий в работе прибора это устройство блокирует работу генератора, причем загорается индикатор кнопки перезапуска 1 (Рис 6). Термостат перегрева включается в работу, что приводит к перерыву в подаче топлива. Термостат перезапускает прибор автоматически, когда температура в камере сгорания понижается до допустимого значения. Перед тем, как перезапустить генератор, необходимо определить и устранить причину перегрева (например, закупорка (засорение) всасывающего отверстия (патрубка) и/или отверстия притока воздуха, блокировка вентилятора). Для перезапуска прибора, нажать кнопку перезапуска 1 (Рис 6) и повторить операции описанные в параграфе "ЗАПУСК".

ТРАНСПОРТИРОВКА И ПЕРЕМЕЩЕНИЕ

ВНИМАНИЕ: Перед тем, как переносить прибор, необходимо: выключить прибор в соответствии с инструкциями, описанными в предыдущем параграфе; отключить прибор от сети питания, отсоединив вилку от электрической розетки; подождать пока прибор не остынет.

Перед тем, как поднимать или переносить генератор, убедитесь, что заглушка бака хорошо закреплена. Генератор поставляется в переносной версии, оснащенной колесами или в подвесной версии, которая фиксируется на опорной конструкции при помощи крепежных цепей или канатов. В первом случае для переноса прибора достаточно приподнять его за ручки и катить на колесах. Во втором случае перенос производится при помощи автопогрузчика или подобной техники.

ПРОГРАММА ПРОФИЛАКТИЧЕСКОГО ОБСЛУЖИВАНИЯ

Для обеспечения надежной работы прибора необходимо производить периодическую чистку камеры сгорания, горелки и вентилятора.

ВНИМАНИЕ: Перед началом каких-либо работ по техническому обслуживанию, необходимо: выключить прибор в соответствии с инструкциями, описанными в предыдущем параграфе; отключить прибор от сети питания, отсоединив вилку от электрической розетки; подождать, пока прибор не остынет.

Каждые 50 часов эксплуатации необходимо

- Отсоединять, извлекать и прочищать фильтр картриджа, используя чистое топливо;
- Снимать внешний цилиндрический обтекатель и очищать внутреннюю часть, включая лопасти вентилятора;
- Проверять состояние проводов и соединений высокого напряжения на электродах;
- Отсоединять горелку производить очистку всех ее частей, очистить электроды и регулировать расстояние между ними в соответствии со значением, указанным на схеме регулировки электродов на странице 8.

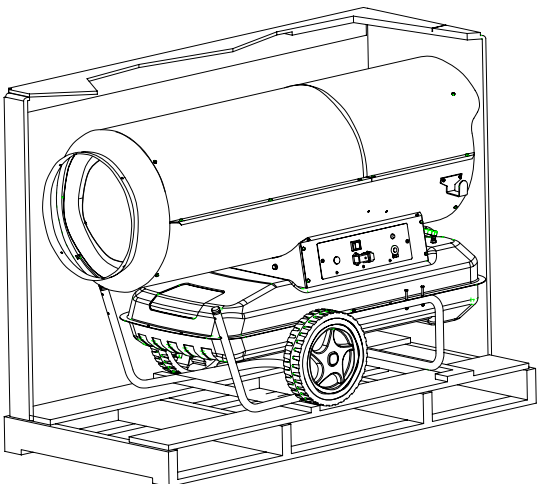


Рис 2 - Нагреватели мощностью В.

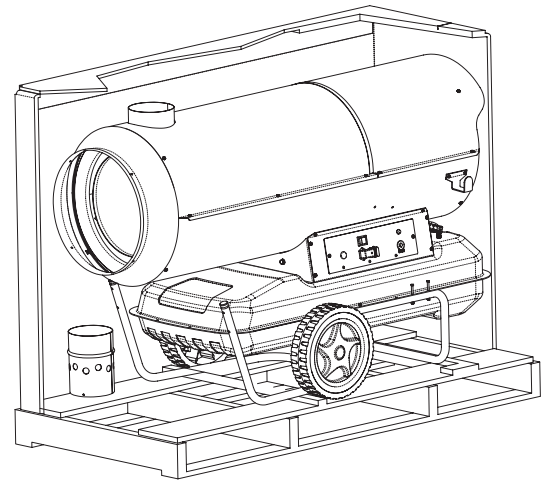


Рис 3 - Нагреватели мощностью BV.

ПРИНЦИП РАБОТЫ

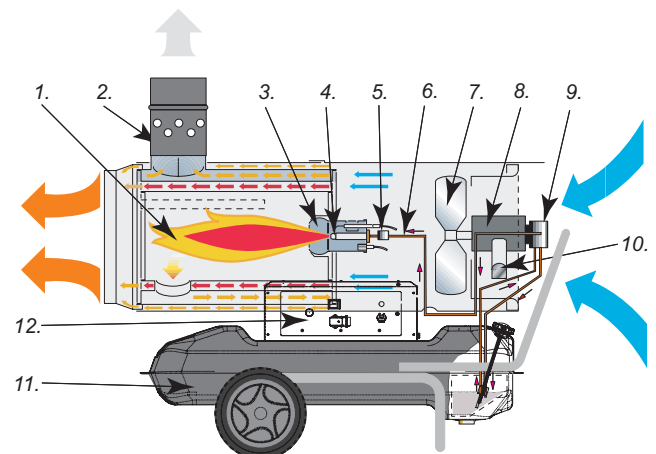


Рис 4 - Нагреватели мощностью BV.

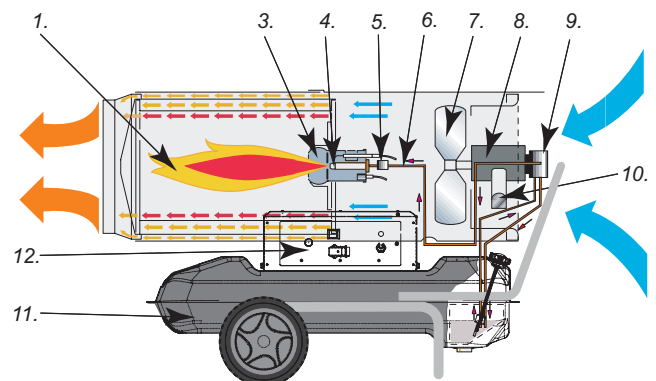
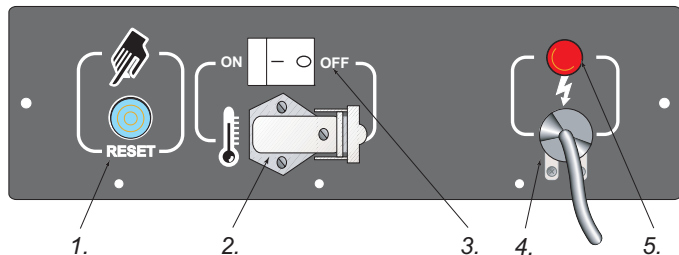


Рис 5 - Нагреватели мощностью В.

1. Камера сгорания, 2. Муфта дымовой трубы, 3. Горелка, 4. Сопло, 5. Электроклапан, 6. Топливопровод, 7. Вентилятор, 8. Мотор, 9. Топливный насос, 10. Скоба для намотки шнура, 11. Топливный бак, 12. Панель управления.

ЭЛЕКТРОЩИТ



1. Кнопка перезапуска, 2. Розетка для наружного термостата, 3. Кнопка включения нагревателя, 4. Шнур питания, 5. Индикатор напряжения.

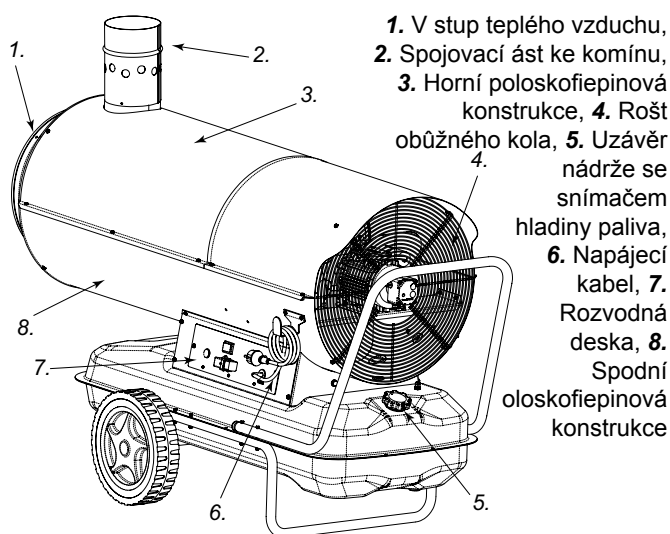
Рис 6

ОПРЕДЕЛЕНИЕ НЕИСПРАВНОСТЕЙ

НЕИСПРАВНОСТЬ	ВОЗМОЖНАЯ ПРИЧИНА	ИСПРАВЛЕНИЕ
Вентилятор не включается и нет возгорания	<ol style="list-style-type: none"> 1. Не поступает электрическое питание 2. Неправильная установка контрольного устройства (если такое присутствует) 3. Неисправное контрольное устройство 4. Перегорание или разрыв обмотки мотора 	<ol style="list-style-type: none"> 1а. Проверить характеристики электросети (230 В -1 - 50 Гц) 1б. Проверить функционирование и положение переключателя 1в. Проверить целостность предохранителя 2. Проверить правильность установки контрольного устройства (например, температура, установленная на термостате не должна превышать температуру окружающей среды) 3. Заменить контрольное устройство 4. Заменить мотор
Вентилятор включается, но пламя не загорается или гаснет	<ol style="list-style-type: none"> 1. Не работает зажигание 2. Неисправность приборов контроля пламени 3. Не работает фотоэлемент 4. топливо не подается к горелке или его количество недостаточно 5. Не работает электроклапан 	<ol style="list-style-type: none"> 1а. Проверить соединения проводов электродов и трансформатора 1б. Проверить установку электродов и зазор между ними, в соответствии со схемой (стр. 8) 1а. Проверить чистоту электродов 1г. Заменить трансформатор 2. Заменить приборы контроля пламени 3. Прочистить или заменить фотоэлемент 4а. Проверить целостность соединения между насосом и мотором 4б. Проверить, не просачивается ли воздух в цепь подачи топлива, для чего прконтролировать герметичность соединений и прокладки фильтра 5а. Проверить электрическое соединение 5б. Проверить термостат L1 5в. прочистить или заменить при необходимости электроклапан
Вентилятор включается, пламя загорается, но выделяется дым	<ol style="list-style-type: none"> 1. Недостаточная подача горючей воздушной смеси 2. Избыточная подача горючей воздушной смеси 3. Используемое топливо недостаточно чистое или содержит воду 4. Проникновение воздуха в цепь подачи топлива 5. Недостаточное количество топлива, подаваемого к горелке 6. Избыточное количество топлива, подаваемого к горелке 	<ol style="list-style-type: none"> 1а. Устранить все возможные заторы и закупорки всасывающих каналов и/или каналов притока воздуха 1б. Проверить положение, регулирующего кольцо воздуха 1в. Прочистить диск горелки 2. Проверить положение, регулирующей заслонки воздуха 3а. Заменить используемое топливо на чистое 3б. Прочистить топливный фильтр 4. Проверить герметичность топливопроводов и прокладки топливного фильтра 5а. Проверить значение давления насоса 5б. Прочистить или заменить сопло 6а. Проверить значение давления насоса 6б. заменить сопло
Генератор не выключается	1. Негерметичности электроклапан	1. Заменить корпус электроклапана
Вейтнлятор не выключается	1. неисправен термостат вентилятора	1 Заменить термостат FA

OBSAH

PŘEHLED "B" A "BV"	55
INFORMACE O BEZPEŠNOSTI	55
VYBALENÍ HORKOVZDUŠNÝCH TOPIDEL	56
UVEDENÍ DO CHODU	56
ZASTAVENÍ	56
BEZPE NOSTNÍ ZAŘÍZENÍ	56
PŘEPRAVA A POHYBOVÁNÍ	57
PROGRAM O PREVENTIVNÍ ÚDRŽBĚ	57
TEORIE PROVOZU	57
ROZVODNÁ DESKA	58
URČENÍ PORUCH	58

PŘEHLED "B" A "BV"

1. Vstup teplého vzduchu,
2. Spojovací část ke komínu,
3. Horní poloskofiepinová konstrukce, 4. Rošt obůžného kola, 5. Uzávěr nádrže se snímačem hladiny paliva,
6. Napájecí kabel, 7. Rozvodná deska, 8. Spodní poloskofiepinová konstrukce

Řada B představuje přímá horkovzdušná topidla mísící uvolňované teplo se spaliny. Tato topidla jsou vhodná zejména pro ohřívání, rozmrazování a sušení, a to jak venku, tak v místech s rychlou výměnou vzduchu.

Řada BV představuje nepřímá horkovzdušná topidla. Tyto topidla mají tepelný výměník, díky němuž lze oddělovat zplodiny od horkého vzduchu, uvolňovaného do ovzduší, a tak je možné do prostoru, který má být vytápěn, přivádět proud čistého horkého vzduchu a externě odvádět výfukové plyny.

Řady horkovzdušných topidel B i BV jsou navrženy s ohledem na bezpečnost, výkonnost a životní standardy, jsou vybaveny bezpečnostními zařízeními zaručujícími jejich nepřetržitý provoz a minimální hluchnost a jsou vyráběny z pečlivě zvolených materiálů, které zaručují jejich spolehlivost.

Topidla mohou být vybavena kolečky, která usnadňují manipulaci, anebo je lze montovat přímo na strop. Jejich vynikající výkonnostní parametry spolu s možností využití termostatu zaručují během provozu tu nejvyšší míru flexibility. Díky vnějšímu indikátoru, který měří množství paliva v nádrži, lze snadno a rychle zjistit, zda není potřeba palivo doplnit.

INFORMACE O BEZPEŠNOSTI**UPOZORNĚNÍ**

DŮLEŽITÉ: Dříve než za nete toto topné těleso montovat, uvádět do chodu nebo provádět jeho údržbu, pře tete si pozorně cel návod k použití. Nesprávné použití ohřiva e může přivodit vážná poranění zapří iněná popáleninami, požárem, v buchem, elektrick mi v boji nebo otravou oxidem uhelnat m.

! NEBEZPE Í: Otrava oxidem uhelnat m se může stát osudnou!

Otrava oxidem uhelnat m. První příznaky otravy oxidem uhelnat m jsou podobné příznakům, které se projevují u chřipky, doprovázené bolestmi hlavy, závratěmi a/nebo žaludečními nevolnostmi.

Tyto příznaky by mohly b t zapříčiněny nesprávn m chodem topného tělesa. **Je nutno se ihned pfiesunout na ervstv vzduch!** Je třeba dát topné těleso opravit. Nůkteré osoby na sobů mohou pocítit ve zv šené míře účinky oxidu uhelnatého, zvláště tůhotné ženy, lidé trpící srdeāními a plicními chorobami, lidé trpící chudokrevností, lidé ve stavu opilosti a lidé nacházející se ve velk ch v škách.

Ověřte si, že jste se podrobně seznámili se všemi upozorněními, a že jste je správně pochopili. Uchovte tento návod k použití pro potřeby do budoucna: funguje totiž jako průvodce pro správn a bezpečn chod topného tělesa.

- Používejte pouze petrolej nebo topn olej č° 1, aby nedošlo k požáru nebo v buch. Nikdy nepoužívejte benzín, naftu, rozpouštdla laků, alkohol nebo jiná paliva, která jsou vysoce vznůtlivá.

- Přísun paliva

- a) Obsluha mající na starost přísun paliva musí mít příslušnou kvalifikaci a musí rovněž dobře znát návod k použití dodan v robcem a stejně tak platné nařizení t kající se bezpečnosti při dodávání paliv do topn ch těles.
- b) Používejte pouze takov typ paliva, kter je zřetelně uveden na údajovém štítku topného tělesa.
- c) Než přistoupíte k dodání paliva, zhasněte všechny plameny včetně hlavního plamene a vyčkejte, až se topné těleso ochladí.
- d) Během dodávání paliva překontrolujte všechny cesty paliva a jeho příslušné přípojky, aby bylo možné zabránit jeho případnému úniku. Jak kolí únik musí b t odstraněn před uvedením topného tělesa do chodu.
- e) Za řádn ch okolností nesmí b t ve stejně budově v blízkosti topného tělesa uchovááno více pa-liva než je jeho nezbytné potřebné množství pro udržení topného tělesa v chodu na dobu jednoho dne. Palivové nádrže musí b t umístěny v oddělené budově.
- f) Všechny nádrže s palivy musí b t umístěny v minimální vzdálenosti od topn ch těles, žihav ch hořáků, svařovacích zařízení a podobn ch zapalovacích zdrojů (s v jimkou palivové nádrře, která je zabudovaná uvnitř topného tělesa).
- g) Palivo uchovávejte pokud možno pokaždě na takov ch místech, kde jsou nepropustné podlahy, aby se při ukápnutí paliva toto nedostalo k plameni nacházejícímu se níže a nedošlo tak ke vznícení.
- h) Paliva se skladují v souladu s platn mi nařizeními.

- Nepoužívejte nikdy topné těleso v místnostech, ve kter ch se vyskytují také benzín, rozpouštdla na laky nebo jiné vysoce zápalné páry.

- Během používání topného tělesa je třeba dbát všech místních předpisů a nařízení, která jsou v platnosti.
- Topná tělesa, které jsou používána v blízkosti pláten, opon, závěsů, záclon a ostatních krycích materiálů musí být umístěna v bezpečné vzdálenosti od těchto látek. Doporučuje se rovněž používat krycí materiály – látky z ohnivzdorných tkanin. Tyto materiály musí být velmi dobře upevněny, aby se tak zabránilo jejich vznícení a předcházelo se případným nehodám, které by mohla v blízkosti topného tělesa způsobit přítomnost větru.
- Používejte topné těleso pouze v prostředí, kde se nevyskytují vznětlivé páry a kde není zvýšená koncentrace prachu.
- Topné těleso napájejte v hradně elektrickým proudem, který má napětí, kmitočet a počet fází uvedené na údajovém štítku.
- Používejte pouze třídrátové prodlužovací šňůry, které jsou účelně napojené na kostru.
- Je-li topné těleso rozehřáté nebo v provozu, pokládejte je na pevný a rovný povrch z důvodu prevence před možným požárem.
- Pokud topné těleso přemísťujeme či provádíme jeho údržbu, držíme ho ve vyrovnané pozici, nenakláníme jej, abychom tak zabránili úniku paliva.
- Topné těleso umístíme z dosahu dětí a zvířat
- Odpojíme topné těleso ze zásuvky v případech, že ho nepoužíváme.
- Je-li topné těleso kontrolováno termostatem, může být zapnuto kdykoli.
- Nikdy nepoužívejte topné těleso v pokojích, ve kterých trávíte hodně času ani je neumísťujte do ložnice.
- Neblokujte nikdy sběrač vzduchu (nacházející se na zadní straně) ani vstupu vzduchu (nacházející se na přední straně) topného tělesa.
- Pokud je topné těleso horké, zapojené do sítě nebo je-li v chodu, nesmí být nikdy přemisováno, nesmí s ním být nijak manipulováno, nesmí se doplňovat palivo a ani na něm nesmí být prováděna jakákoli údržba.

VYBALENÍ HORKOVZDUŠNÝCH TOPIDEL

1. Sejměte veškerý balicí materiál použitý na ochranu topidla při přepravě.
2. Nadzvedněte lepenkovou krabici.
3. Sejměte veškerý materiál, kterým je topidlo zajištěno na paletě.
4. Sejměte veškerý materiál, kterým je na paletě připevněn komín (pouze pro řadu BV).
5. Nasaďte komín na trubku odvádějící zplodiny (pouze pro řadu BV).
6. Opatrně spusťte topidlo na plošinu.
7. Zkontrolujte, zda nebyl při přepravě stroj poškozen. Pokud objevíte poškození stroje, ihned ohlaste veškerá viditelná poškození obchodníkovi, u kterého byl stroj zakoupen.

BALENÍ A SKLADOVÁNÍ

1. Zkontrolujte, zda není topidlo poškozeno a zda z něj neuniká žádné palivo. Veškeré zbylé palivo z nádrže odstraňte.
2. Umístěte topidlo na paletu a pomocí příslušných materiálů jej zajistěte na místě.
3. Sejměte komín a pomocí příslušných materiálů jej zajistěte na paletě.
4. Zakryjte topidlo lepenkovou krabicí.
5. Pomocí příslušných materiálů zajistěte lepenkovou krabici na paletě.

6. Topidlo skladujte na bezpečném a suchém místě. Neukládejte více strojů na sobě.

UVEDENÍ DO CHODU

Dříve, než uvedete do provozu generátor, tedy ještě předtím, než jej zapojíte do sítě na napájení, musíte zkontrolovat, zda charakteristiky napájení z elektrické sítě jsou odpovídající charakteristikám uvedeným na údajovém štítku.

! UPOZORNĚNÍ: Elektrické vedení napájení generátoru musí být vybaveno uzemněním a magnetickým tepelným diferenciálním vypínačem. Elektrická zástrčka generátoru musí mít připojení do zásuvky, která je opatřena úsekníkem.

Generátor může fungovat automatickým způsobem pouze pokud je některé z kontrolních zařízení, například termostat nebo hodiny, napojeno na generátor tak, že je fixován kabelem a svorkami 2 a 3 zástrčky 2 (Fig. 6) dodávané s přístrojem (šňůra, která spojuje dvě svorky, musí být odstraněna a případně může být znovu namontována, a to pouze v případě, když si přejeme, aby generátor fungoval bez kontrolního zařízení).

Ke spuštění stroje je třeba následující:

- je-li zapojeno kontrolní zařízení, musí být nastaveno tak, aby stroj mohl bez problémů fungovat (například termostat musí být nastaven na maximální teplotu);
- nastavit spínač 3 (Fig. 6) na pozici představující symbol: ON spustí se ventilátor a po několika vteřinách nastane spalování. Po prvním uvedení do chodu a po úplném vyprázdnění okruhu motorové nafty se může stát, že proud nafty v palivové trysce může být nedostatečný, což může zapříčinit zásah kontrolního zařízení plamene, které zastaví generátor. V takovém případě po uplynutí zhruba jedné minuty, stiskněte tlačítko pro opětovné spuštění 1 (Fig. 6) a znovu zapněte stroj. V případě, že postup nebude úspěšný, je třeba provést následující operace:

1. Zkontrolovat, zda je v nádrži ještě motorová nafta;
2. Stisknout tlačítko pro opětovné spuštění 1 (Fig. 6);
3. Jestliže po provedení všechny uvedených operací generátor nefunguje, je zapotřebí prostudovat paragraf "UR ENÍ PORUCH" a odhalit příčinu neúspěšného chodu stroje.

ZASTAVENÍ

Chceme-li chod stroje zastavit, musíme nastavit spínač 3 (Fig. 6) do polohy "0" nebo zasáhnout do kontrolního zařízení, a to například tak, že nastavíme termostat na nižší teplotu. Plamínek zhasne, ventilátor bude pokračovat v ochlazování až do úplného ochlazení spalovací komory.

BEZPEČNOSTNÍ ZAŘÍZENÍ

Generátor je vybaven elektronickým zařízením na kontrolu plamene. Pokud se objeví jedna nebo více odchylek ve fungování stroje, toto zařízení vyvolá zástavu stroje a rozsvítí se kontrolka tlačítka opětovného spuštění stroje 1 (Fig. 6).

Dojde k zásahu oteplovacího termostatu, který vyvolá přerušení dodávky motorové nafty, pokud se přehřeje generátor. Termostat se automaticky opět zapne, když klesne teplota ve spalovací komoře až na maximální přípustnou hodnotu. Dříve než opět uvedeme do chodu generátor, je třeba určit a odstranit příčinu, kvůli které došlo k přehřátí (například zanesení nasávacího otvoru a/nebo přívodu vzduchu, zastavení ventilátoru). Stroj se znovu uvede do chodu tak, že se stiskne tlačítko opětovného spuštění a je třeba zopakovat instrukce, uvedené v paragrafu "UVEDENÍ DO CHODU".

PŘEPRAVA A POHYBOVÁNÍ

UPOZORNĚNÍ Dříve než začnete přemísťovat přístroj, je nutné: zastavit stroj dle pokynů uvedených v předchozím odstavci; odpojit napájení z elektrické sítě tak, že vyjmeme vidlici z elektrické zásuvky a po chvíli na ochlazení generátoru.

Dříve než začneme zvedat či přemísťovat generátor, ujistíme se, že uzávěr nádrže je pevně fixován. Generátor může být dodán v přenosném provedení, vybaven koly nebo může být podvěšen, namontován na podpůrné konstrukci s ukotvením na upevnění, které může být provedeno prostřednictvím lan nebo řetěz. V prvním případě je, pokud jde o přepravu, dostačující, je-li generátor uchopen za podpěrný držák a je posouván na kolech. Ve druhém případě se musí generátor zdvihnout pomocí vysokozdvíhacího vozíku nebo jiného podobného zařízení.

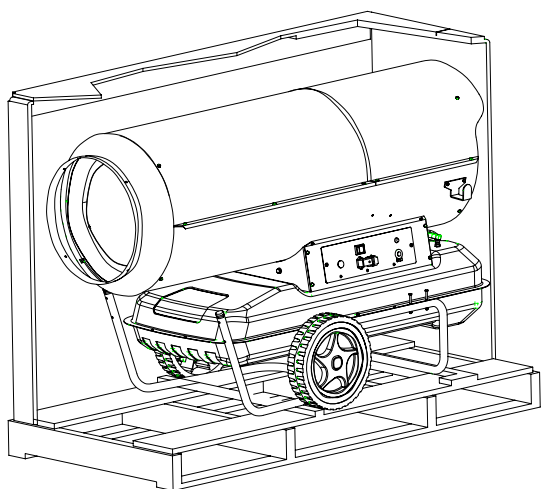
PROGRAM O PREVENTIVNÍ ÚDRŽBĚ

Abychom dosáhli pravidelného a správného chodu stroje, je nezbytné pravidelně čistit spalovací komoru, hořák a ventilátor.

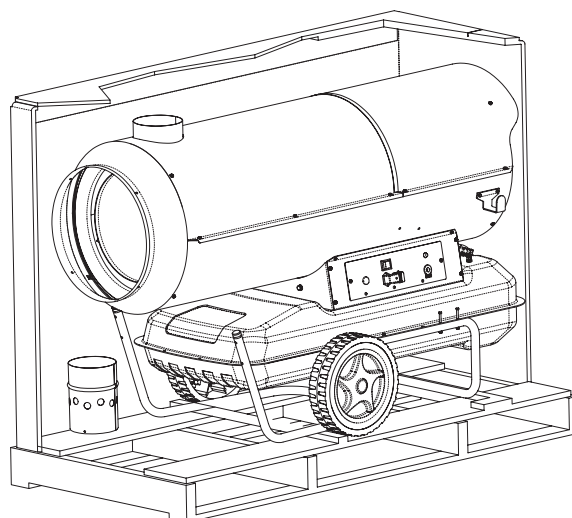
UPOZORNĚNÍ Dříve než začnete přemísťovat přístroj, je nutné: zastavit stroj dle pokynů uvedených v předchozím odstavci; odpojit napájení z elektrické sítě tak, že vyjmeme vidlici z elektrické zásuvky a po chvíli na ochlazení generátoru.

Po každých 50 hodinách chodu stroje se musí:

- Odmontovat filtrační vložku, vyjmout a vyčistit čistě motorovou naftou;
- Odmontovat vnější cylindrický kryt a fiádně vyčistit vnitřní část a lopatky ventilátoru;
- Zkontrolovat stav šňůr a kolíků ve vysokém napětí na elektrodách;
- Rozmontovat hořák a vyčistit jeho části, vyčistit elektrody a nastavit vzdálenost na požadovanou hodnotu, která je uvedena na str. 61 ve schématu regulace elektrod.

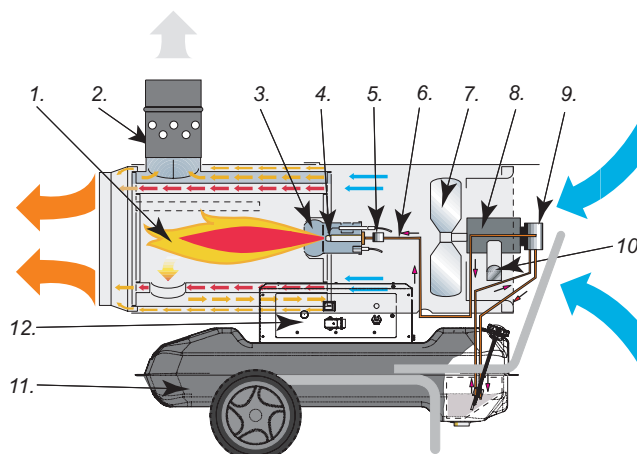


Obrázek 2 - Modely vákonem B.

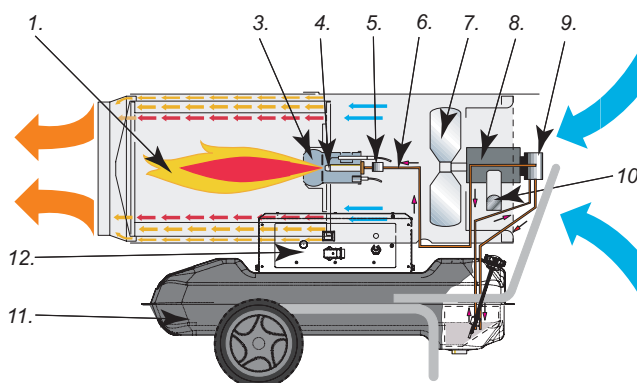


Obrázek 3 - Modely vákonem BV.

TEORIE PROVOZU



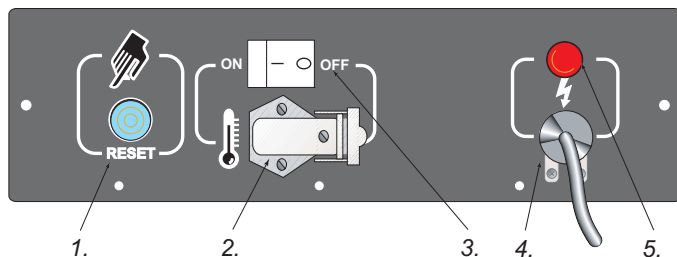
Obrázek 4 - Modely vákonem BV.



Obrázek 5 - Modely vákonem B.

1. Spalovací komora, 2. Kouřová spojovací část odolná větru, 3. Hořák, 4. Tryska, 5. Elektrický ventil paliva, 6. Oběh paliva, 7. Ventilátor, 8. Motor, 9. Naftové čerpadlo, 10. Rám na vinutí kabelu, 11. Nádrž na palivo, 12. Ovládací panel.

ROZVODNÁ DESKA



1. Tlačítko opětného spuštění, 2. Zásuvka na termostat pro okolní ovzduší, 3. Hlavní spínač, 4. Napájecí kabel, 5. Kontrolka napětí.

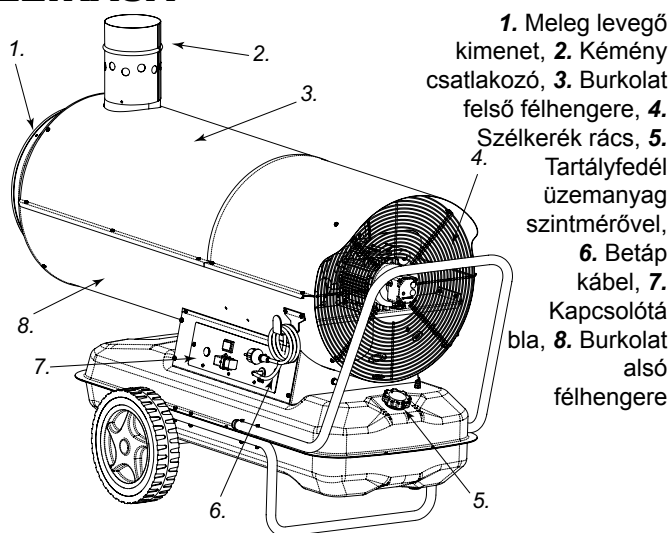
Obrázek 5

URČENÍ PORUCH

ZJIŠTĚNÁ PORUCHA	MOŽNÉ PŘÍČINY	ŘEŠENÍ
Ventilátor se nespouští a plamen se nezapaluje	1 Nedostatečné elektrické napájení 2 Chybná regulace případného kontrolního zařízení 3 Poruchové kontrolní zařízení 4 Vinutí spáleného nebo odpojeného motoru	1a Překontrolovat charakteristiky elektrického zařízení (230V - 1~ - 50 Hz) 1b Zkontrolovat funkčnost a polohu spínače 1c Zkontrolovat, zda není porušena tavná pojistka 2 Zkontrolovat, zda je regulace kontrolního zařízení správná (například navolená teplota na termostatu musí být vyšší než je teplota prostředí) 3 Vyměnit kontrolní zařízení 4 Vyměnit motor
Ventilátor se spouští a plamen se nezapaluje nebo nezůstává zapálen	1 Nefunkční zapalování 2 Defektní plamen u kontrolního zařízení 3 Nefunkční fotobuňka 4 Motorová nafta se nedostává k hořáku nebo přichází v nedostačujícím množství 5 Elektrický ventil nefunguje	1a Zkontrolovat připojení kabelů zapalování k elektrodám a k transformátoru 1b Zkontrolovat polohu elektrod a jejich vzdálenost podle schématu na straně 8 1c Překontrolovat, zda jsou čisté elektrody 1d Vyměnit transformátor zapalování 2 Vyměnit zařízení 3 Vyčistit fotobuňku nebo ji vyměnit 4a Zkontrolovat, zda není porušeno spojení mezi čerpadlem a motorem 4b Zkontrolovat, zda do oběhu motorové nafty nevnikl vzduch, a to kontrolou těsnosti trubek a těsnění filtru 4c Vyčistit nebo je-li nutné vyměnit trysku 5a Zkontrolovat elektrické zapojení 5b Zkontrolovat termostat LI 5c Vyčistit a případně vyměnit elektrický ventil
Ventilátor se spouští a plamen se zapaluje, avšak tvoří kouř	1 Vzduch potřebný pro spalování není dostatečný 2 Vzduch potřebný pro spalování je přebytečný 3 Používaná nafta je znečištěná nebo obsahuje vodu 4 Pronikání vzduchu do oběhu motorové nafty 5 Nedostatečné množství motorové nafty v hofiáku 6 Přebytečné množství motorové nafty v hořáku	1a Odstranit veškeré možné překážky nebo ucpávky ze sacího potrubí a/nebo z přívodu vzduchu 1b Ověřit si polohu regulačního kroužku vzduchu 1c Vyčistit kotouč hofiáku 2 Ověřit si polohu regulačního kroužku vzduchu 3a Vyměnit použitou motorovou naftu za novou 3b Vyčistit filtr motorové nafty 4 Zkontrolovat těsnost trubek a těsnění filtru nafty 5a Zkontrolovat hodnotu tlaku čerpadla 5b Vyčistit nebo vyměnit trysku 6a Zkontrolovat hodnotu tlaku čerpadla 6b Vyměnit trysku
Generátor se nevypíná	1 Poškozen elektrický ventil	1 Vyměnit těleso elektrického ventilu
Ventilátor se nevypíná	1 Termostat ventilátoru je poškozen	1 Vyměnit termostat FA

TARTALOM

A "B" ÉS A "BV" TÍPUSOK LEÍRÁSA	59
BIZTONSÁGI INFORMÁCIÓK	59
A HŐLÉGFŰVŐ BERENDEZÉS KIVÉTELE A CSOMAGOLÁSBÓL	60
ÜZEMBEHELYEZÉS	60
LEÁLLÍTÁS	60
BIZTONSÁGI BERENDEZÉSEK	60
SZÁLLÍTÁS ÉS MOZGATÁS	60
TERVSZERŰ MEGELŐZŐ KARBANTARTÁS	61
MŰKÖDÉSI ELV	61
KAPCSOLÓTÁBLA	62
HIBAFELISMERÉS	62

A "B" ÉS A "BV" TÍPUSOK LEÍRÁSA

1. Meleg levegő kimenet, 2. Kémény csatlakozó, 3. Burkolat felső félhengere, 4. Szélkerék rács, 5. Tartályfedél üzemanyag szintmérővel, 6. Betáp kábel, 7. Kapcsolótábla, 8. Burkolat alsó félhengere

A B típus a közvetlen tüzelésű hőlégfűvők sorába tartozik, amelyek a kibocsátott meleg levegőt keverik az égéstermékekkel. Ezek a fűtőberendezések különösen hasznosak fűtésnél, jégmentesítésnél és szárításnál úgy a szabad levegőn, mint jól szellőző helyiségekben.

A BV típus a közvetett tüzelésű hőlégfűvők sorába tartozik. Ezek a légmentesítő berendezések olyan hőcserélő készülékkel rendelkeznek, amely lehetővé teszi az égési gázok elkülönítését a környezetbe áramló meleg levegőtől, azaz ily módon lehetőség van úgy a tiszta meleg légáram befúvására a fűtendő területre, mint a keletkező égéstermékek külső eltávolítására.

A B és BV típusú hőlégfűvő berendezések a jelenleg érvényes biztonságtechnikai, működési és munkavédelmi szabványokkal összhangban kerültek kialakításra, valamint olyan biztonsági védőberendezésekkel vannak felszerelve, amelyek a hőlégfűvők folyamatos működését garantálják, minimalizálják a zajszintet, továbbá olyan szakszerűen kiválasztott anyagokból készültek, amelyek a maximális megbízhatóság garanciái.

A berendezésekre a könnyebb mozgatás érdekében kerekek is felszerelhetők, de a hőlégfűvőket ugyanúgy a mennyezetre is fel lehet szerelni. Kiváló működési jellemzőik, a termosztát alkalmazásának a lehetőségével együtt a készülékek rendkívüli flexibilitását nyújtják a felhasználás során. A tartályban található üzemanyag mennyiségét mutató külső kijelző készülék lehetőséget ad arra, hogy ellenőrizni lehessen, mikor kell a tartályt utántölteni.

BIZTONSÁGI INFORMÁCIÓK**FIGYELMEZTETÉSEK**

! FONTOS: mielőtt a hőlégfűvő összeszerelését, üzembe helyezését vagy karbantartását megkísérelné, olvassa el figyelmesen és teljes egészében ezt a kezelői gépkönyvet. A hőlégfűvő helytelen használata megégés, tűz, robbanás, áramütés vagy szénmonoxid-mérgezés következtében súlyos vagy halálos sérülést okozhat.

! VESZÉLY: A szénmonoxid-mérgezés halálos kimenetel lehet!

Szénmonoxid-mérgezés A szénmonoxid-mérgezés első tünetei az influenzaéra hasonlítanak: fejfájás, szédülés és/vagy émelygés. Ezeket a tüneteket okozhatja a hőlégfűvő hibás m ködése.

Haladéktalanul menjen szabad levegőre! Javíttassa meg a hőlégfűvőt. Egyes emberekre különösen erős hatással van a szénmonoxid: ilyenek a terhes asszonyok, a szív- és tüdőbetegségben szenvedők, a vérszegények, a részegek és azok, akik magashegyi helységeben tartózkodnak.

Ellenőrizze, minden figyelmeztetést elolvasott és megértett-e. Későbbi felhasználás céljából őrizze meg ezt a kézikönyvet: útmutatóként szolgál a hőlégfűvő biztonságos és helyes használatához.

- A tűz- és robbanásveszély elkerülése érdekében csak vagy 1.sz. f tüolajat szabad használni. Soha ne használjon benzint, gázolajat, hígítót, alkoholt vagy más erősen gyúlékony üzemanyagot.

- Feltöltés

a) A feltöltéssel csak szakképzett, a gyártó utasításait, valamint a fűtőberendezések biztonságos feltöltésére vonatkozó érvényes előírásokat jól ismerő dolgozó foglalkozhat.

b) Csak a hőlégfűvő azonosító tábláján kifejezetten szereplő üzemanyagot szabad használni.

c) Mielőtt üzemanyagot töltene a készülékbe, minden lángot oltson el, beleértve a gyújtólángot is, és várja meg, míg a hőlégfűvő kihűl.

d) Üzemanyag feltöltés alatt ellenőrizze valamennyi üzemanyagvezetéket és a hozzá tartozó

csatlakozódarabokat (fittingeket), nincs-e valahol tömítetlenség. Mielőtt a hőlégfűvőt újra üzembe helyezné, minden tömítetlenséget meg kell szüntetni.

e) Semmilyen körülmények között nem szabad ugyanabban az épületben, a hőlégfűvő közelében nagyobb mennyiség üzemanyagot tárolni, mint amennyi annak egy napi m ködéséhez elegendő. Az üzemanyagot tároló tartályokat külön épületben kell tartani.

f) Az üzemanyag tartályokat legalább távolságban kell elhelyezni fűtőberendezésektől, hegesztőkészülékektől, lángvágóktól és hasonló t zforrásoktól (eltekintve a hőlégfűvőbe beépített üzemanyag tartálytól).

g) Amennyiben lehetséges, az üzemanyagot olyan helyiségben kell tárolni, amelynek padlózata nem teszi lehetővé az üzemanyag behatolását és az elcseppent üzemanyag nem kerülhet lenti nyílt lánggal kapcsolatba, mely meggyulladását okozhatná.

h) Az üzemanyag tárolását az érvényben lévő előírásoknak megfelelően kell végezni.

- Soha ne használja a hőlégfűvőt olyan helyiségekben, melyekben benzin, hígító vagy más erősen gyúlékony gőzök találhatók.
- A hőlégfűvő használatakor minden helyi rendeletet és érvényben lévő előírást be kell tartani.
- Amennyiben ponyvák, függönyök vagy más hasonló takaróanyagok közelében használják, a hőlégfűvőt azokról biztonsági távolságban kell elhelyezni. Javasoljuk továbbá,

hogyan használjanak t zbiztos takaróanyagot. Ezeket az anyagokat biztonságos módon kell elhelyezni, úgy, hogy ne gyulladhassanak ki, és a szél ne zavarhassa meg a hőlégfűvő m kódését.

- Csak gyúlékony gőzöktől és nagy porkoncentrációtól mentes térben használható.
- A hőlégfűvőt csak az azonosító táblán feltüntetett feszültség, frekvenciájú és fázisszámú árammal szabad üzemeltetni.
- Csak háromeres, megfelelő földelés hosszabbítót szabad használni.
- A m ködő vagy forró hőlégfűvőt stabil és kiegyenlített felületen kell elhelyezni, a t zveszély elkerülése érdekében.
- A hélégfűvőt szállítás ill. tárolás közben is kiegyenlített helyzetben kell tartani, nehogy az üzemanyag kiömöljön.
- Ne engedjenek gyermekek és állatot a hőlégfűvő közelébe.
- Használaton kívül a hőlégfűvő csatlakozó dugóját mindig húzza ki.
- Ha termosztát vezérli, a hőlégfűvő bármelyik pillanatban bekapcsolhat.
- Gyakran használt szobákban vagy hálósobában a berendezést nem szabad használni.
- Soha ne torlaszolja el a készülék levegő beszívó nyílását (hátsó oldal), sem a levegő kifűvő nyílását (elülső fal).
- Amikor a hőlégfűvő meleg, a hálózatra van kötve vagy m ködik, nem szabad elmozdítani, hozzányúlani, feltölteni, sem bármilyen karbantartást végezni rajta.

A HŐLÉGFŰVŐ BERENDEZÉS KIVÉTELE A CSOMAGOLÁSBÓL

1. Távolítsa el a szállítás során a hőlégfűvő megóvására szolgáló összes csomagoló anyagot.
2. Emelje fel a kartondobozt.
3. Távolítsa el a berendezést a talpazathoz rögzítő összes anyagot.
4. Távolítsa el a kéménycsövet a talpazathoz rögzítő összes anyagot (csak a BV típusú berendezéseknél).
5. Helyezze fel a kéménycsövet a füstgázvezető csőre (csak a BV típusú berendezéseknél).
6. Óvatosan helyezze rá a hőlégfűvőt a talpazatra.
7. Ellenőrizze, hogy a berendezés nem sérült-e meg a szállítás során. Amennyiben a hőlégfűvő sérült, az összes tapasztalt sérülést jelezze a kereskedőnek, akitől a berendezést vásárolta.

CSOMAGOLÁS ÉS TÁROLÁS

1. Ellenőrizze, hogy a berendezés nem sérült-e és az üzemanyag nem szivárog-e. Távolítsa el a maradék üzemanyagot a tartályból.
2. Helyezze fel a hőlégfűvőt a talpazatra és rögzítse a megfelelő anyagok segítségével.
3. Vegye le a kéménycsövet és a megfelelő anyagokkal rögzítse a talpazathoz.
4. Fedje le a hőlégfűvőt a kartondobozzal.
5. A kartondobozt a megfelelő anyagok segítségével rögzítse a talpazathoz.
6. A hőlégfűvőt biztonságos, száraz helyen tárolja. A tárolás során ne helyezzen egymásra több berendezést.

ÜZEMBEHELYEZÉS

Mielőtt a kazánt üzembehelyezné, tehát mielőtt a villamos hálózatra csatlakoztatná, ellenőrizni kell, hogy a villamos táphálózat jellemzői megfelelnek-e az azonosító táblán szereplő adatokkal.

FIGYELMEZTETÉS: A hőlégfűvő villamos tápvonalának rendelkeznie kell földeléssel és túráram és földzárlat ellen védő kismegszakítóval. A hőlégfűvő villamos csatlakozódugóját szakaszoló megszakítóval ellátott dugaszoló aljzatba kell csatlakoztatni.

A berendezés automatikus üzemmódban csak akkor m ködhet, ha egy vezérlő berendezés, mint például egy termosztát vagy óra, van a hőlégfűvőre csatlakoztatva, vezetéket a készülékkel együtt szállított 2 (Ábra 6) csatlakozó dugó 2. és 3. kapcsára kötve. (A két sorkapcsot összekötő vezetéket el kell távolítani, és csak akkor visszaszerelni, ha a hőlégfűvőt nem automatikus üzemmódban (vezérlő berendezés nélkül) kívánja m ködtetni). A gép beindítása:

- ha van, a vezérlő berendezést úgy kell beállítani, hogy engedélyezze a m ködést (például, a termosztátot a maximális hőmérsékletre kell állítani);
 - a 3 (Ábra 6) kapcsolót állítsa a jel állásba: a ventilátor beindul és néhány másodperc múlva megkezdődik az égés.
- Az első üzembehelyezéskor, vagy miután a gázolaj cirkulációs körét leürítettük, megtörténhet, hogy a gázolaj áramlása a fűvőkánál nem elegendő, ilyenkor a lángör bekapcsol és leállítja a hőlégfűvőt. Ebben az esetben kb. egy percig várni kell, azután nyomja le a nullázó gombot 1 (Ábra 6) és indítsa újra a berendezést.

Amennyiben a berendezés nem m ködik, a következő m veleteket végezze el:

1. Ellenőrizze, hogy van-e még a tartályban üzemanyag;
2. Nyomja le a nullázó gombot 1 (Ábra 6);
3. Ha ezek után sem m ködik a f tőegység, olvassa el a "HIBAFELISMERÉS" cím szakaszt, és azonosítsa a m kódési hiba okát.

LEÁLLÍTÁS

A készülék m ködését úgy állíthatja le, hogy a 3 (Ábra 6) kapcsolót a "0" állásba állítja, vagy pedig a vezérlő berendezés segítségével, például ha a termosztátot alacsonyabb hőmérsékletre állítja. A láng kialszik, a ventilátor pedig mindaddig m ködik, amíg a t zkamra teljesen ki nem h l.

BIZTONSÁGI BERENDEZÉSEK

A készülék elektronikus lángör berendezéssel rendelkezik. Ha a f tőegység m ködésében zavar, vagy zavarok keletkeznek, ez a berendezés leállítja a gépet és meggyújtja a nullázó gomb 1 (Ábra 6) jelzőlámpáját. Ha a készülék túlmelegszik, bekapcsol a túlmelegedési termosztát és megszakítja a gázolaj-betáplálást: a termosztát automatikusan visszakapcsol, amikor a t ztér hőmérséklete a megengedett legmagasabb értékre csökken.. Mielőtt ismét üzembe helyezné a f tőegységet, meg kell keresni és ki kell küszöbölni a túlmelegedés okát (például, a levegő beszívó és/vagy kifűvő nyílása el van torlaszolva, leállt a ventilátor). A berendezés újraindításához nyomja le a nullázó gombot 1 (Ábra 6) és végezze el az "ÜZEMBEHELYEZÉS" c. szakaszban foglalt utasításoknak megfelelő m veleteket.

SZÁLLÍTÁS ÉS MOZGATÁS

FIGYELMEZTETÉS: Mielőtt a berendezést elmozdítaná, a megfelelő szakaszban megadott utasítások szerint állítsa le a gépet; a villamos csatlakozódugó kihúzásával szüntesse meg az elektromos ene giaellátást, és várja meg, míg a hőlégfűvő kih l.

Mielőtt a hőlégfűvőt megemelné vagy elmozdítaná, ellenőrizze, hogy az üzemanyag-tartály dugója jól be van-e zárva. A hőlégfűvő mobil, kerekekkel ellátott vagy falra akasztható,

tartószerkezetre szerelt, kábellel vagy láncsal rögzíthető kivitelben kapható. Az első esetben a szállításhoz elegendő, ha a gépet a tartóynél fogva megemeljük és a kerekein eltoljuk. A második esetben a felemeléshez emelőtargoncát vagy más hasonló berendezést kell használni.

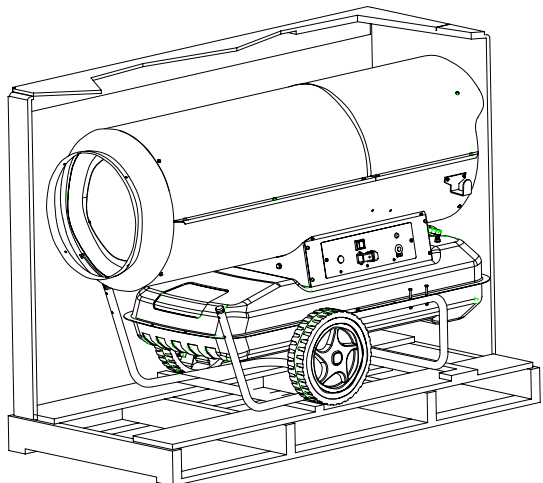
TERVSZERÛ MEGELÕZÕ KARBANTARTÁS

A berendezés szabályos m ködése érdekében rendszeresen ki kell tisztítani a t zteret, az égõfejet és a ventilátort.

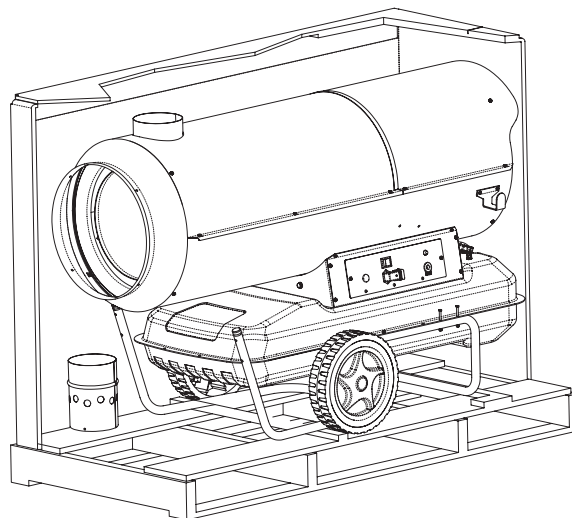
FIGYELMEZTETÉS Bármilyen karbantartási m velet megkezdése elõtt: állítsa le a gépet az elõzõ szakaszban megadott utasítások szerint; a csatlakozódugó kihúzásával szüntesse meg a berendezés elektromos energiaellátását és várja meg, míg a hõlégfúvó kih l.

Minden 50 üzemóra után:

- Szerelje le a filterbetétet, vegye ki és tiszta gázolajjal tisztítsa meg;
- Szerelje le a hengeres külsõ burkolatot és tisztítsa meg a belsõ felületét, valamint a ventilátor lapátjait;
- Ellenõrizze a kábelek és a nagyfeszültség csatlakozások állapotát az elektródákon;
- Szerelje le az égõfejet, tisztítsa meg a részeit, tisztítsa meg az elektródákat és szabályozza távolságukat a 61. oldalon található elektróda-szabályozási ábrán megadott értéknek megfelelõen.

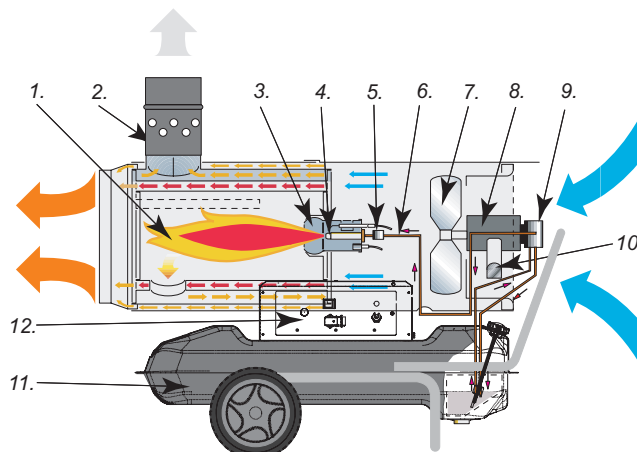


Ábra 2 - B modellek.

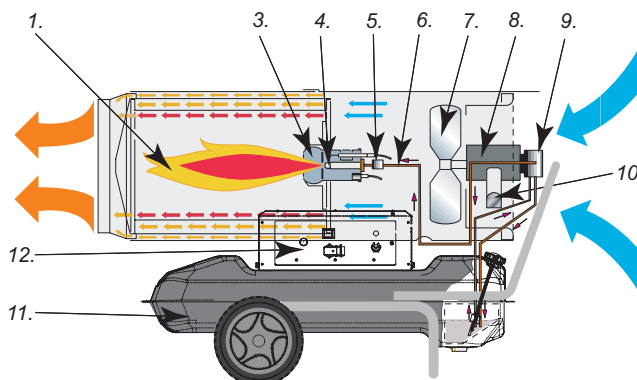


Ábra 3 - BV modellek.

MÛKÖDÉSI ELV



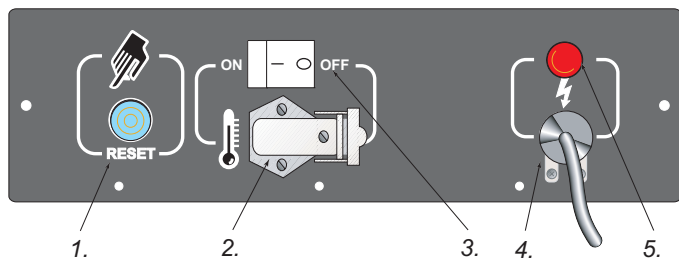
Ábra 4 - BV modellek.



Ábra 5 - B modellek.

1. T zter, 2. Szélálló füstelvezető csatlakozás, 3. Égõfej, 4. Fúvóka, 5. Üzemanyag mágnesszelep, 6. Üzemanyag cirkulációs kör, 7. Ventilátor, 8. Motor, 9. Gázolajszivattyú, 10. Kábel tartókengyel, 11. Üzemanyag tartály, 12. Kapcsolótábla.

KAPCSOLÓTÁBLA



Ábra 5

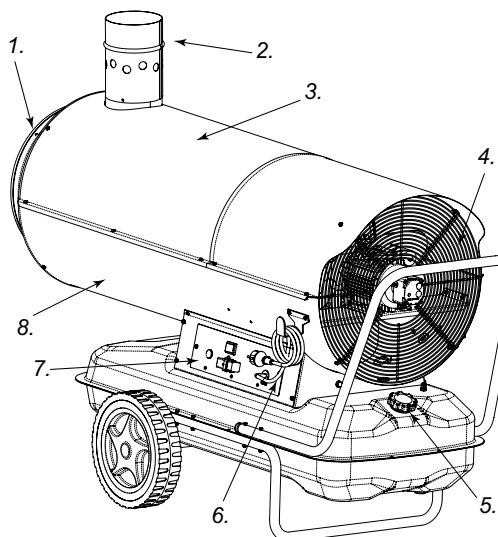
1. Nullázó gomb, 2. Termostát csatlakozó, 3. Főkapcsoló, 4. Betáp kábel, 5. Feszültség jelzőlámpa.

HIBAFELISMERÉS

MEGFIGYELT HIBA	LEHETSÉGES OKA	MEGOLDÁS
A ventilátor nem indul el és a láng nem gyullad meg	<p>1 Hiányzik az elektromos energiaellátás</p> <p>2 Az esetleg meglévő vezérlő készülék helytelenül van beállítva</p> <p>3 Hibás a vezérlő készülék</p> <p>4 A motor tekercse leégett vagy megszakadt</p>	<p>1a Ellenőrizze a villamos berendezés jellemző it (230V - 1~ - 50 Hz)</p> <p>1b Ellenőrizze a kapcsoló m kódképességét és állását</p> <p>1c Ellenőrizze az olvadóbiztosíték épségét</p> <p>2 Ellenőrizze, hogy a vezérlő berendezés beállítása helyes-e (pl. a termostáton beállított hőmérsékletnek magasabbnak kell lennie, mint a környezeti hőmérséklet)</p> <p>3 Cserélje le a vezérlő berendezést</p> <p>4 Cserélje le a motort</p>
A ventilátor elindul de a láng nem gyullad meg, vagy kialszik	<p>1 Nem m kódik a gyújtás</p> <p>2 Lángőr hibás</p> <p>3 Nem m kódik a fotocella</p> <p>4 Nem érzékel, vagy nem megfelelő mennyiségben érkezik gázolaj az égőfejhez</p> <p>5 Nem m kódik a mágnesszelep</p>	<p>1a Ellenőrizze a gyújtás kábelt az elektródáknál és a transzformátoron</p> <p>1b Ellenőrizze az elektródák helyzetét valamint távolságát a 8. oldalon lévő ábra szerint.</p> <p>1c Ellenőrizze, tiszták-e az elektródák</p> <p>1d Cserélje ki a gyújtótranszformátort</p> <p>2 Cserélje ki a készüléket</p> <p>3 Tisztítsa meg vagy cserélje ki a fotocellát</p> <p>4a Ellenőrizze a szivattyú – motor csatlakozás épségét</p> <p>4b Ellenőrizze, nincs-e levegő besz rődés a gázolaj cirkulációs körében: vizsgálja meg a csövek és a filter tömítését</p> <p>4c Tisztítsa meg, illetve szükség esetén cserélje ki a fűvókát</p> <p>5a Ellenőrizze a villamos csatlakozást</p> <p>5b Ellenőrizze a LI termostátot</p> <p>5c Tisztítsa meg, illetve szükség esetén cserélje le a mágnesszelepet</p>
A ventilátor elindul és a láng meggyullad, de füstöl	<p>1 Kevés az égési levegő</p> <p>2 Túl sok az égési levegő</p> <p>3 Szennyezett vagy vizet tartalmaz a gázolaj</p> <p>4 A gázolaj cirkulációs körébe levegő került</p> <p>5 Nem elegendő a gázolaj mennyisége az égőfejnél</p> <p>6 Túl sok a gázolaj mennyisége az égőfejnél</p>	<p>1a Minden lehetséges torlaszt vagy akadályt távolítson el a beszívó és/vagy kifűvő vezetékek elöl</p> <p>1b Ellenőrizze a levegő szabályozó gy r állását</p> <p>1c Tisztítsa meg az égőfejet</p> <p>2 Ellenőrizze a levegő szabályozó gy r állását</p> <p>3a A használt gázolajat tiszta gázolajra cserélje le</p> <p>3b Tisztítsa meg a gázolaj-sz rőt</p> <p>4 Ellenőrizze a csövek és a gázolajfilter tömítettségét</p> <p>5a Ellenőrizze a szivattyúnyomás értékét</p> <p>5b Tisztítsa meg vagy cserélje ki a fűvókát</p> <p>6a Ellenőrizze a szivattyúnyomás értékét</p> <p>6b Cserélje ki a fűvókát</p>
A hőlégfűvő nem áll le	1 A mágnesszelep tömítése hibás	1 Cserélje ki a mágnesszelep-testet
A ventilátor nem áll le	1 A ventilátor termostátja hibás	1 Cserélje ki az FA termostátot

INDICE

PREZENTACIJA PROIZVODA B I BV	63
INFORMACIJE O SIGURNOST	63
UKLANJANJE AMBALAŽE	64
PUŠTANJE U RAD	64
ZAUSTAVLJANJE	64
SIGURNOSNI UREĐAJI	64
TRANSPORT I PRIJENOS	64
PROGRAM PREVENTIVNOG ODRŽAVANJA	65
NAČELO I SHEMA RADA	65
ELEKTRIČNA PLOČA	65
UTVRĐIVANJE KVAROVA	66

PREZENTACIJA PROIZVODA B I BV

1. Izlaz toplog zraka, 2. Spoj dimnjaka,
3. Gornji poluoklop,
4. Rešetka ventilatora,
5. Poklopac spremnika sa sondom za razinu goriva,
6. Kabel za napajanje, 7. Komandna ploča, 8. Donji poluoklop.

B serija uključuje generatore toplog zraka s direktnim zagrijavanjem koji miješaju topli zrak koji izlazi vani sa dimom gorenja. Iz tog razloga korištenje istih se posebno preporučuje za otvorene prostore ili sa jakom izmjenom zraka, gdje je potrebno zagrijavati, odleživati ili sušiti.

BV serija pak uključuje generatore toplog zraka s neposrednim zagrijavanjem, koji zahvaljujući izmjenjivaču topline, omogućuje razdvajanje plinova sagorijevanja od toplog zraka koji se ispušta u okolinu. Na taj način je moguće ispuštati tok čistog toplog zraka unutar prostora koji želimo zagrijati i izbacivati vani ispušne dimove.

B i BV serija projektirane su prema najmodernijim kriterijima sigurnosti, funkcionalnosti i dugotrajnosti: sigurnosna sredstva jamče ispravan rad uređaja, proizvodnja buke je svedena na minimum i brižljivi izbor materijala jamči visok stupanj pouzdanosti.

Zahvaljujući kotačima s gumom, grijači se mogu lako prenositi iz prostorije u prostoriju ili u visećoj verziji, zakačiti za strop. Velika autonomija učinka, zajedno sa mogućnošću rada pomoću termostata, omogućuju operateru veliku slobodu korištenja. Vanjski pokazivač za kontrolu količine goriva u spremniku omogućuje brzo provjeru eventualne potrebe nadopune spremnika.

INFORMACIJE O SIGURNOSTI

VAŽNO: pažljivo i u potpunosti pročitati upute za uporabu prije montiranja i puštanja u funkciju ili održavanja ovog generatora. Korištenje generatora može uzrokovati teške ili smrtonosne ozljede uzrokovane opekotinama, požarom, eksplozijama, električnim pražnjenjem ili asfiksijom od ugljik monoksida.



OPASNOST: Asfiksija uzrokovana ugljik monoksidom može imati smrtonosne posljedice!

Asfiksija od ugljik monoksida - prvi simptomi asfiksije od ugljik monoksida liče na simptome gripe, sa glavoboljama, vrtoglavicom i/ili mučninom. Uzrok tih simptoma mogao bi biti loš rad generatora. Odmah izaći vani! Pobrinuti se za popravak generatora. Neke osobe više osjećaju efekte ugljik monoksida, posebice se to odnosi na trudnice, na osobe koje boluju od srčanih ili plućnih bolesti, anemične osobe, osobe pod učinkom alkohola, i osobe koje se nalaze na velikim visinama. Uvjeriti se da ste dobro pročitali i shvatili sva upozorenja. Sačuvati ove upute za buduće potrebe: služi naime i kao vodič za ispravan i siguran rad generatora.

- Rabiti samo kerozin ili dizel gorivo kako bi se izbjegao rizik od požara ili eksplozije. Nikad ne koristiti benzin, naftu rastvarače za boje i lakove, alkohol ni ostala visoko zapaljiva goriva.
 - Punjenje gorivom
 - a) Osoblje zaduženo za punjenje gorivom mora biti kvalificirano i biti potpuno upoznato i familijarno sa uputama proizvođača i sa zakonima i pravilnicima na snazi vezanim za sigurno opskrbljivanje generatora.
 - b) Koristiti isključivo vrstu goriva izričito specificiranu na identifikacijskog pločici generatora.
 - c) Prije punjenja gorivom, potpuno ugasi stroj, i pričekati da se generator ohladi.
 - d) U toku punjenja gorivom, pregledati sve prolaze goriva i spojke, ne bi li se pronašli eventualni dijelovi gdje gorivo curi. Ukoliko se pronađe mjesto curenja, popraviti prije ponovnog puštanja generatora u funkciju.
 - e) Ni u kojem slučaju ne smije se čuvati u istom objektu, u blizini grijača, količina goriva veća od količine potrebne za jednodnevni rad grijača. Cisterne za skladištenje goriva moraju se nalaziti u odvojenom objektu.
 - f) Svi spremnici goriva moraju se nalaziti na minimalnoj udaljenosti koja je u skladu sa važećim propisima na snazi od grijača, plamenika, uređaja za zavarivanje i sličnih izvora paljenja (isključujući spremnik za gorivo u sklopu generatora).
 - g) Onda kada je to moguće, gorivo valja čuvati u prostorijama sa podom koji ne omogućava prolaz i eventualno kapanje goriva na plamen koji bi mogle uzrokovati paljenje.
 - h) Čuvanje goriva mora biti u skladu sa važećim propisima.
- Nikad ne koristiti generator u prostorijama gdje se nalaze benzin, rastvarači za boje i lakove ili drugi lako zapaljivi materijali.
- Za vrijeme uporabe grijača, pridržavati se svih lokalnih naredbi i propisa na snazi.
 - Grijači koji se koriste u blizini cerada, zastora i sličnih materijala za pokrivanje moraju biti postavljeni na sigurnosnoj udaljenosti u skladu sa propisima na snazi. Preporučuje se isto tako korištenje materijala za pokrivanje otpornih na vatru. Ti se materijali moraju vrlo sigurno pričvrstiti, kako bi se

izbjeglo da se zapale ili da ometaju generator uslijed vjetra.

- Koristiti samo u prostorima u kojima nema zapaljivih para ni visoke koncentracije prašine.
- Napajati generator isključivo strujom napona i frekvencije koji su specificirani na identifikacijskoj pločici.
- Koristiti samo trostruke produžne kabele sa adekvatnim uzemljenjem.
- Položiti topli generator ili u funkciji na stabilnu i potpuno ravnu površinu, kako bi se izbjegao rizik od požara.
- Kada se generator pomiče ili pohranjuje, zadržati ga u potpuno ravnoj površini, kako bi se izbjeglo curenje goriva.
- Držati generator dalje od djece i životinja.
- Isključiti generator iz struje kada nije u uporabi.
- Kada je generator kontroliran od strane termostata, grijač se može upaliti u bilo kojem trenutku.
- Nikad ne koristiti generator u prostorijama u kojima se često boravi ili u spavaćim sobama.
- Nikad ne blokirati ulaz zraka (stražnja strana) ni izlaz zraka (prednja strana) grijača.
- Kada je generator topao, spojen u struju ili u funkciji, ne smije se pomicati, rukovati istim, puniti gorivom ni vršiti bilo kakve intervencije održavanja.

UKLANJANJE AMBALAŽE

1. Ukloniti svu ambalažu korištenu za pakiranje grijača za slanje.
2. Podignuti kartonsku ambalažu.
3. Ukloniti sve materijale koji pričvršćuju grijač za paletu.
4. Ukloniti sve materijale koji pričvršćuju dimnjak za paletu (samo za seriju BV).
5. Postaviti dimnjak na cijev za izlaz dimova (samo za seriju BV)
6. Nježno spustiti grijač sa postolja.
7. Pregledati uređaj i pretražiti eventualna oštećenja zadobivena prilikom prijevoza. Ukoliko grijač izgleda oštećen, odmah obavijestiti o tome koncesionara kod kojeg je kupljen.

PAKIRANJE I SKLADIŠTENJE

1. Provjeriti da uređaj nije oštećen, posebice da ne curi gorivo. Isprazniti spremnik od ostatka goriva.
2. Postaviti uređaj na paletu i pričvrstiti ga s adekvatnim materijalom.
3. Ukloniti dimnjak i pričvrstiti ga za paletu adekvatnim materijalom.
4. Prekriti uređaj kartonskom ambalažom.
5. Pričvrstiti kartonsku ambalažu za paletu sa adekvatnim materijalom.
6. Skladištiti uređaj u adekvatnom i ne vlažnom prostoru, te ne postavljati više uređaja jedan iznad drugog.

PUŠTANJE U RAD

Prije puštanja generatora u rad, odnosno prije uključivanja u struju, valja provjeriti odgovaraju li obilježja električne mreže za napajanje onima navedenim na identifikacijskoj pločici.

NAPOMENA: Električna linija napajanja generatora mora imati uzemljenje i termo-magnetsku diferencijalnu sklopku. Električni utikač generatora mora biti spojen na utičnicu koja ima rastavnu sklopku.

Generator može raditi automatski samo kada je kontrolni uređaj, kao na primjer termostat ili sat, spojen na generator i kabel spojen na pritezač 2 i 3 utičnice 2 (Slika 6) koja je dostavljena s uređajem (električna žica koja povezuje dva pritezača mora se

ukloniti i ponovno montirati samo onda kada želimo da generator radi bez kontrolnog uređaja). Za pokretanje uređaja mora se:

- ako je spojen, podesiti kontrolni uređaj na način da omogućuje rad (na primjer, termostat mora biti podešen na maksimalnu temperaturu);
- postaviti prekidač 3 (Slika 6) u položaj sa simbolom: ON. Ventilator se pokreće i nakon nekoliko sekundi započinje sagorijevanje. Prilikom prvog puštanja u rad uređaja ili nakon što je u potpunosti ispražnjen od dizel-goriva, tok dizel goriva u štrcaljki mogao bi biti nedovoljan, i uzrokovati intervenciju kontrolnih uređaja za plamen koji zaustavlja generator; u tom slučaju, nakon što ste pričekali otprilike minuti, pritisnuti gumb za ponovno opremanje 1 (Slika 6) i ponovno pokrenuti uređaj. U slučaju da ne radi, prove radnje koje je potrebno izvršiti su slijedeće:
 1. Provjeriti da spremnik sadrži još dizel-goriva;
 2. Pritisnuti gumb za ponovno opremanje 1 (Slika 6);
 3. Ako nakon tih radnju generator ne radi, valja pročitati odlomak "UTVRĐIVANJE KVAROVA" i otkriti uzrok nefunkcioniranja.

ZAUSTAVLJANJE

Za zaustavljanje rada uređaja valja podesiti prekidač (3 Slika 6) u položaj OFF ili koristiti kontrolni uređaj, na primjer, podešavanjem termostata na nižu temperaturu. Plamen se gasi i ventilator nastavlja s radom do potpunog hlađenja komore za sagorijevanje.

SIGURNOSNI UREĐAJI

Generator je opremljen kontrolnom aparaturom za kontrolu plamena. Ukoliko dođe do jedne ili više anomalija u radu, ta aparatura uzrokuje zaustavljanje uređaja i uključivanje kontrolnog svjetla gumba za ponovno opremanje (1 Slika 6). Termostat za nadtemperaturu uzrokuje prekid napajanja gorivom ukoliko se generator pregrije: termostat se ponovno automatski pokrene kada se temperatura u komori za sagorijevanje snizi do dostizanja maksimalne dozvoljene vrijednosti. Prije ponovnog puštanja generatora u rad potrebno je utvrditi i ukloniti uzrok koji je doveo do pregrijavanja (na primjer, začepljenje cijevi za usisavanje i/ili slanje zraka, zaustavljanje ventilatora). Za ponovno pokretanje uređaja potrebno je pritisnuti gumb za ponovno opremanje (1 Slika 6) i ponoviti specifične radnje prema uputama iz odlomka "PUŠTANJE U RAD".

TRANSPORT I PRIJENOS

NAPOMENA Prije pomicanja uređaja potrebno je: zaustaviti uređaj prema uputama iz prethodnog odlomka; isključiti električno napajanje izvadivši utičnicu i pričekati da se generator ohladi.

Prije podizanja ili pomicanja generatora, provjeriti je li poklopac spremnika dobro pričvršćen. Generator se može isporučiti u pokretnoj inačici, sa kotačima, ili visećoj, opremljen nosivom strukturom sa priborom za pričvršćivanje pomoću užadi ili lanaca. U prvom slučaju, dovoljno je uhvatiti generator za dršku i vući po kotačima. U drugom slučaju, podizanje se mora izvršiti pomoću viljuškara ili slične opreme.

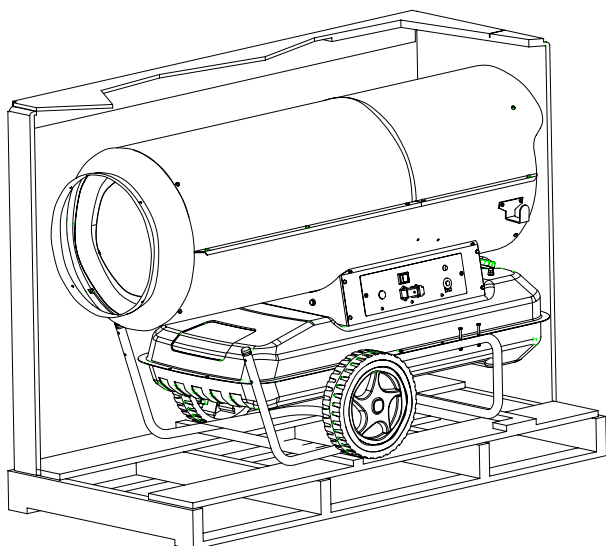
PROGRAM PREVENTIVNOG ODRŽAVANJA

Za ispravan rad uređaja potrebno je periodički čistiti komoru za sagorijevanje, plamenik i ventilator.

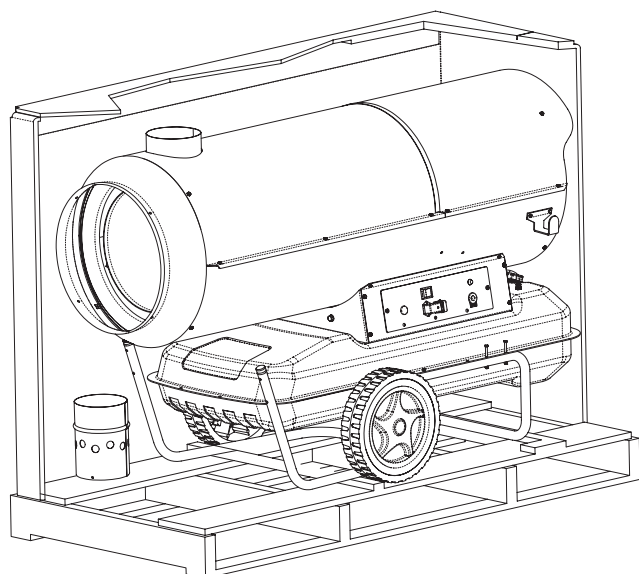
NAPOMENA Prije počinjanja bilo koje radnje održavanja potrebno je: zaustaviti uređaj prema napomenama iz prethodnog odlomka; isključiti iz električnog napajanja izvadiši utičnicu i pričekati da se generator ohladi.

Nakon svakih 50 sati rada potrebno je:

- Demontirati filter, izvaditi ga i očistiti čistim dizel-gorivom;
- Demontirati vanjsku cilindričnu oplatu i očistiti unutrašnji dio i krilca ventilatora;
- Provjeriti stanje kabela i spojnica na visokom naponu na elektrodama;
- Demontirati plamenik i očistiti dijelove istog, očistiti elektrode i podesiti udaljenost na vrijednost navedenu na stranici 61 u shemi za podešavanje elektroda.

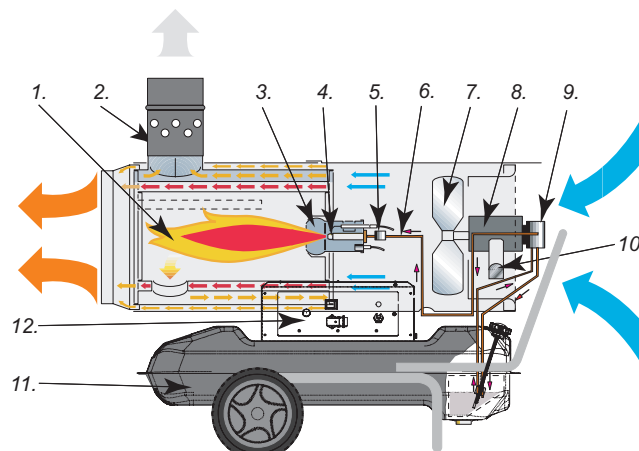


Slika 2 – Direktni generator verzija B.

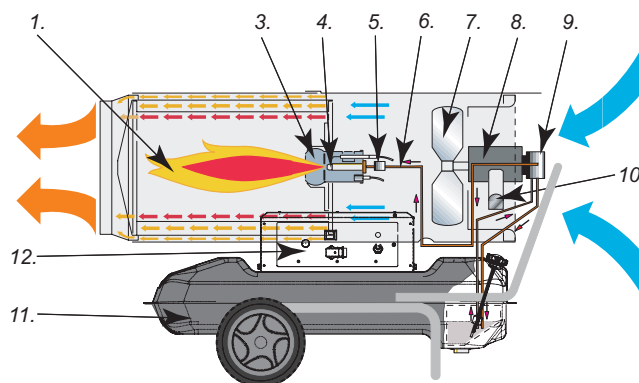


Slika 3 – Neposredni generator verzija BV.

NAČELO I SHEMA RADA



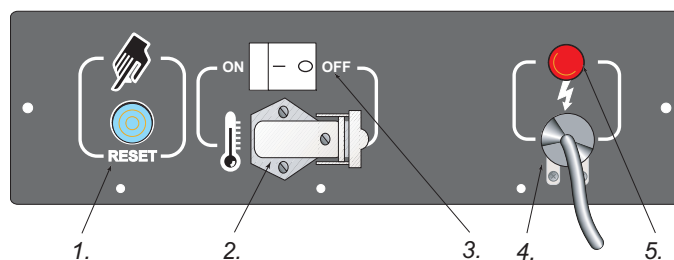
Slika 4 – Presjek sheme rada.



Slika 5 – Presjek sheme rada.

1. Komora za sagorijevanje, 2. Sklop dimnjaka protiv vjetrova, 3. Plamenik, 4. Otvor, 5. Elektroventil goriva, 6. Ciklus goriva, 7. Ventilator, 8. Motor, 9. Pumpa, 10. Zahvatnik za namotavanje kabela, 11. Spremnik, 12. Komandna ploča.

ELEKTRIČNA PLOČA



Slika 6 – Električna ploča.

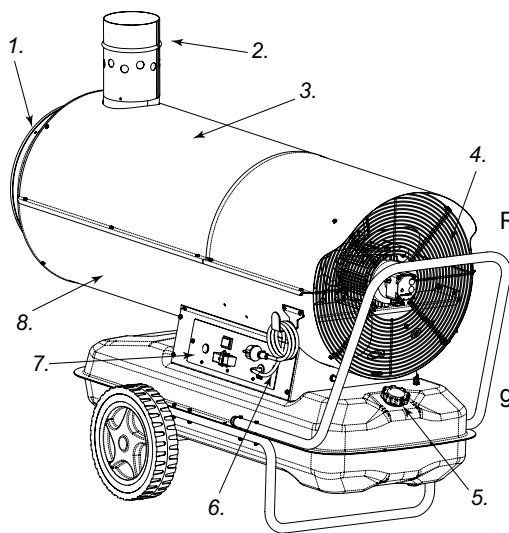
1. Gumb za RESET, 2. Utičnica za vanjski termostat, 3. Glavni prekidač, 4. Kabel za napajanje, 5. Kontrolno svjetlo napona.

UTVRĐIVANJE KVAROVA

Kvar	Uzrok	Popravak
Ventilator se ne pokreće i ne pali se plamen	<ol style="list-style-type: none"> 1. Nedostaje električno napajanje 2. Eventualni kontrolni uređaj krivo podešen 3. Kontrolni uređaj u kvaru 4. Navoj motora izgorio ili prekinut 	<ol style="list-style-type: none"> 1a Provjeriti karakteristike električne mreže (230 V - 1~ - 50 Hz) 1b Provjeriti ispravnost i položaj prekidača 1c Provjeriti čitavost osigurača 2 Provjeriti je li kontrolni uređaj ispravno podešen (na primjer temperatura odabrana na termostatu mora biti viša od temperature ambijenta) 3 Zamijeniti kontrolni uređaj 4 Zamijeniti motor
Ventilator se pokreće a plamen se ne pali ili ne ostaje upaljen	<ol style="list-style-type: none"> 1. Uključivanje ne radi 2. Aparatura za kontrolu plamena u kvaru 3. Fotočelija u kvaru 4. Dizel gorivo ne stiže u plamenik ili stiže u nedovoljnoj količini 5. Elektroventil ne radi 	<ol style="list-style-type: none"> 1a Provjeriti veze kabela za uključivanje i elektroda odnosno transformatora 1b Provjeriti položaj elektroda i udaljenost istih po shemi 1c Provjeriti jesu li elektrode čiste 1d Zamijeniti transformator za uključivanje 2. Zamijeniti aparaturu 3. Očistiti ili zamijeniti fotočeliju 4a Provjeriti čitavost spoja pumpa-motor 4b Provjeriti da nema infiltracije zraka u ciklus dizel goriva odnosno provjeriti da li cijevi i brtve filtra ne propuštaju 4c Očistiti, ili ako je potrebno zamijeniti štrcaljku 5a Provjeriti električnu vezu i termostat LI 5b Očistiti i eventualno zamijeniti električni ventil
Ventilator se pokreće i plamen se pali i proizvodi dim	<ol style="list-style-type: none"> 1. Nedovoljno zraka za sagorijevanje 2. Previše zraka za sagorijevanje 3. Korišteno dizel gorivo je nečisto ili sadrži vodu 4. Voda ulazi u ciklus dizel goriva 5. Nedovoljna količina dizel goriva u plameniku 6. Prevelika količina dizel goriva u plameniku 	<ol style="list-style-type: none"> 1a Ukloniti sve moguće prepreke ili začepljenja u usisnim cijevima i/ili odlaznim cijevima zraka 1b Provjeriti položaj prstena za regulaciju zraka 1c Očistiti disk plamenika 2 Provjeriti položaj prstena za regulaciju zraka 3a Zamijeniti korišteno dizel gorivo čistim 3b Očistiti filter dizel goriva 4 Provjeriti da cijevi i brtve filtra dizel goriva ne propuštaju 5a Provjeriti vrijednost pritiska u pumpi 5b Očistiti ili zamijeniti štrcaljku 6a Provjeriti vrijednost pritiska u pumpi 6b Zamijeniti štrcaljku
Generator se ne zaustavlja	1. Elektroventil ne drži dobro	1. Zamijeniti trup elektroventila
Ventilator se ne zaustavlja	1. Termostat ventilatora u kvaru	2. Zamijeniti termostat FA

INDEX

PREDSTAVITEV IZDELKOV B IN BV	67
SPLOŠNE INFORMACIJE GLEDE VARNOSTI	67
ODSTRANITEV EMBALAŽE	68
VŽIG OGREVALNIKA	68
USTAVITEV/IZKLJUČITEV OGREVALNIKA	68
ZAŠČITNE NAPRAVE	68
PREVOZ IN PREMIKANJE OGREVALNIKA	68
PROGRAM ZA PREVENTIVNO VZDRŽEVANJE	69
PRINCIP IN SHEMA DELOVANJA	69
ELEKTTRIČNA PLOŠČA	70
UGOTAVLJANJE OKVAR	70

PREDSTAVITEV IZDELKOV B IN BV

1. Izhod toplega zraka,
2. Prikluček kamina,
3. Zgornja polovična plošča,
4. Rešetka lopute,
5. Zamašek rezervoarja opremljen s sondo za nadzor nivoja goriva,
6. Kabel za napajanje,
7. Komandna plošča,
8. Spodnja polovična plošča.

V serijo B so vključeni tisti generatorji toplega zraka za direktno ogrevanje kateri zmešajo topli zrak popuščen od zunaj in hlap/dime povzročene od izgorevanja. Zato njihova uporaba je posebno primerna v zunanjih prostorih ali v prostorih z visoko ventilacijo, kjer je potrebno ogrevati zrak, odmrzniti ali posušiti. V serijo BV so vključeni tisti generatorji toplega zraka za indirektno ogrevanje kateri, preko enega izmenjalnika toplote, omogočajo ločitev izgorevalnih plinov od toplega zraka popuščenega od zunaj. S tem sistemom je mogoče dovajati čisti topli zrak v prostor kjer je potrebno ogrevati zrak in usmeriti od zunaj vse izpušne pline.

Izdelki serije B in BV so bili načrtovani v skladu z najnovejšimi predpisi o varnosti in najnovejšimi načeli glede funkcionalnosti in trpežnosti/trajanja: zaščitne naprave vedno garantirajo pravilno delovanje stroja, zvočni nivo je bil precej zmanjšan in temeljita izbira sestavnih materialov zagotavlja visoko zanesljivost.

Ogrevalniki so opremljeni z gumastimi kolesi tako, da jih je mogoče hitro premestiti v drugi prostor. Viseči modeli se lahko obesijo na strop.

Zaradi velike avtonomije pri delovanju in možnosti delovanja tega generatorja preko termostata, uporabnik ima veliko svobodo pri uporabi ogrevalnika. Zunanji kazalec za nadzor nivoja količine goriva v rezervoarju omogoča hitro kontrolo nivoja in pravočasno dolivanje goriva.

SPLOŠNE INFORMACIJE GLEDE VARNOSTI

VAŽNO: Najprej morate dobro in pazljivo prebrati ta priročnik z navodili, preden začnete montirati ta ogrevalnik in ga potem aktivirate ali preden začnete vzdrževanje. Uporaba ogrevalnika lahko povzroči hude ali celo smrtne poškodbe zaradi opeklin, požarov, eksplozije, razelektrenja ali asfiksije katero povzroči ogljikov oksid.



NEVARNOST: akfiksija povzročena od ogljikovega oksida je lahko smrtno nevarna!

Aksfiksija povzročena od ogljikovega oksida: prvi simptomi akfiksije so podobni tistim katere povzroči gripa: glavobol, vrtoglavica in/ali siljenje na bruhanje. Vse te simptome lahko povzroči slabo delovanje ogrevalnika.

V tem primeru morate takoj pohitati na odprto! Nepravilno delovanje ogrevalnika morate čimprej odpraviti. Nekatere osebe bolj občutijo efekte povzročene od ogljikovega oksida, kot na primer noseče ženske, osebe z srčnimi ali pljučnimi boleznimi, slabokrvni, alkoholiki in tisti ki se nahajajo v krajih z visoko nadmorsko višino. Morate pazljivo prebrati in dobro razumeti vse te opozorila. Dobro shranite ta priročnik ker vam bo lahko služil za bodoče posvetovanje ker vam nudi vse potrebne navodila za dobro uporabo in delovanje ogrevalnika.

- Za preprečiti morebitne požare ali eksplozije morate uporabljati samo kerozin ali plinsko olje. V nobenem primeru se ne sme uporabljati bencina, nafte, solventov za barve, alkohola ali drugih goriv kateri so zelo vnetljivi.
- Tankanje
 - a) Tankanje mora biti izvršeno od kvalificirane osebe, katero dobro pozna navodila proizvajalca in vse predpise za pravilno tankanje ogrevalnikov.
 - b) Morate uporabljati samo tisto gorivo katero je navedeno na identifikacijski tablici katera je pritrjena na ogrevalniku.
 - c) Preden začnete tankanje, morate ugasniti stroj in morate počakati, da se ogrevalnik ohladi.
 - d) Med tankanjem, morate pozorno kontrolirati vse cevi za dotok goriva in vse priključke in preprečiti vse morebitna puščanja. Katerokoli puščanje mora biti popravljeno preden začnete ponovno delovati z ogrevalnikom.
 - e) V nobenem primeru ne smete shraniti v istem prostoru, v bližini ogrevalnika, več goriva kot ga je potrebno za enodnevno delovanje. Rezervoarji za gorivo se morajo nahajati v drugem prostoru.
 - f) Vsi rezervoarji za gorivo morajo biti oddaljeni od ogrevalnikov, cevk za varjenje, naprav za varjenje in drugih podobnih virov za vžig (izven rezervoarja za gorivo vključen v samem ogrevalniku).
 - g) Če je mogoče, morate shraniti gorivo v prostorih z neprepustnim podom tako da se prepreči morebitno iztekanje goriva v spodnje prostore v katerih se lahko nahajajo plameni kateri bi lahko povzročili požar.
 - h) Gorivo morate hraniti v skladu z predpisi.
- Ne smete nikoli uporabljati ogrevalnika v prostorih v katerih se nahajajo bencin, solventi ali drugi hlapi z visoko vnetljivostjo.
- Med uporabo ogrevalnika morate upoštevati vse veljavne predpise in krajevne pravila.
- Ogrevalniki, kateri se uporabljajo v bližini cerad, plaht ali drugih podobnih materialov za kritje morajo biti oddaljeni zaradi

varnosti, v skladu z veljavnimi predpisi. Dobro priporočamo, da uporabljate tudi negorljive materiale za kritje. Ti materiali morajo biti dobro pritrjeni, tako da se preprečijo požari in da ne ovirajo ogrevalnika v slučaju vetra.

- Ogrevalnik morate uporabljati samo v prostorih v katerih ni vnetljivih hlapov ali prevelike koncentracije prahu v zraku.
- Ogrevalnik morate napajati samo z napetostjo in frekvenco kot je navedeno na identifikacijski tablici.
- Lahko uporabljate samo podaljške z tremi žicami z pravilno ozemljitvijo.
- Postavite ogrevalnik med delovanjem na stabilno in vodoravno površino, tako da se prepreči požar.
- Med premikanjem ali shrambo ogrevalnika, ta mora biti vedno na vodoravnem položaju, tako se prepreči morebitno puščanje goriva.
- Ne smete dovoliti, da se otroci ali domače živali približajo ogrevalniku.
- Kadar ogrevalnik ne deluje ga morate izključiti iz električnega omrežja.
- Če je ogrevalnik pod kontrolo termostata, se lahko aktivira v vsakem trenutku.
- Ne smete nikoli uporabljati ogrevalnika v sprejemnih ali spalnih sobah.
- Ne smete nikoli zamašiti odprtine za zrak na hrbtne strani in niti izhod zraka (sprednja stran) iz ogrevalnika.
- Če je ogrevalnik vroč, povezan na električno omrežje ali ko deluje, ga ne smete nikoli premikati, napajati, še manj pa ga popravljati.

ODSTRANITEV EMBALAŽE

1. Odstranite vso embalažo v kateri vam je bil dobavljen ogrevalnik.
2. Odstranite embalažo iz kartona.
3. Odstranite vse materiale ki pritrjujejo ogrevalnik na paleto.
4. Odstranite vse materiale ki pritrjujejo kamin na paleto (samo za serijo BV).
5. Montirajte kamin na cev za izhod zraka/hlapov (samo za serijo BV).
6. Pazljivo spustite ogrevalnik in odstranite paleto.
7. Preverite, da se niso sestavni deli poškodovali med prevozom. Če je ogrevalnik poškodovan, morate takoj obvestiti dobavitelja pri katerem ste ga kupili.

EMBALIRANJE IN SKLADIŠČENJE

1. Dobro preverite, da ni ogrevalnik poškodovan, in bodite posebno pozorni, da se gorivo ne izliva iz rezervoarja. Izpraznite rezervoar do konca.
2. Postavite stroj na paleto in ga pritrdite z primernimi materiali.
3. Odstranite kamin in ga pritrdite na paleto z primernimi materiali.
4. Pokrite stroj z primerno embalažo iz kartona.
5. Pritrdite embalažo iz kartona na paleto: uporabite primerne materiale.
6. Shranite stroj v suhem prostoru in nikoli ne postavite več kot dva stroja drug na drugega.

VŽIG OGREVALNIKA

Pred vžigom ogrevalnika, to se pravi preden vključite ogrevalnik na električno omrežje, morate dobro preveriti, da značilnosti električnega omrežja za napajanje toka ustrezajo tistim navedenim na identifikacijski tablici pritrjena na stroju.

OPOZORILO: Električni kabel za napajanje generatorja mora imeti ozemljitev in diferencialno magneto-termično stikalo. Vtikač generatorja mora biti vtaknjen v primerno vtičnico opremljeno z razdelilnim stikalom.

Generator lahko samodejno deluje samo kadar je vključena ena nadzorna naprava, na primer en termostat ali ena ura. Za vključitev teh naprav je treba povezati kabel na stičnike 2 in 3 vtikača 2 (skica 6) kateri je dobavljen z generatorjem (električni kabel za povezavo stičnikov mora biti izključen samo če hočete, da generator deluje brez nadzorne enote). Za pogon generatorja morate:

- regulirati nadzorno enoto, če je ta prisotna, tako, da generator se vključi (na primer, termostat mora biti reguliran na maksimalno temperaturo);
- postaviti stikalo 3 (skica 6) na položaj ON.

Ventilator se vključi in po nekaj sekund se začne izgorevanje. Pred prvo vključitvijo in po celotni izpraznitvi vezja za napajanje goriva, količina goriva ki doseže šobo je lahko nezadostna in to lahko povzroči vključitev naprave za kontrolo plamena. To pomeni, da se generator ustavi. V tem slučaju morate počakati približno eno minuto in potem pritisniti gumb za ponovno vključitev 1 (skica 6) tako, da se generator ponovno sproži. Če se generator ne vključi, morate slediti naslednji postopek:

1. Dobro preverite, da je še goriva v rezervoarju;
2. Pritisnite na gumb za ponovno vključitev 1 (skica 6);
3. Če je generator še vedno ustavljen, morate temeljito prebrati odstavek "UGOTAVLJANJE OKVAR" in najti vzrok.

USTAVITEV / IZKLJUČITEV OGREVALNIKA

Če hočete ustaviti generator, morate postaviti stikalo (3 skica 6) na položaj OFF ali uporabiti nadzorno napravo; to pomeni, na primer, da morate naravnati termostat na eno nižjo temperaturo. Plamen se bo ugasnil in ventilator bo še vedno deloval dokler izgorevalna komora ne bo popolnoma ohlajena.

ZAŠČITNE NAPRAVE

Generator je opremljen z elektronsko napravo za nadzor plamena. Če se pojavijo ena ali več okvar med delovanjem, ta naprava ustavi generator in se prižge kontrolna lučka gumba za ponovno vključitev (1 skica 6). Termostat za pretirano temperaturo se vključi tako, da preneha napajanje dizel goriva če je generator preveč vroč: termostat se samodejno ponovno vključi kadar temperatura v izgorevalni komori se zniža in doseže maksimalno dovoljeno temperaturo.

Preden ponovno vključite generator morate najti vzrok za pretirano ogrevanje generatorja in rešiti problem (morebitni vzroki: zamašitev sesalne odprtine in/ali odprtine za pretok zraka, ustavitev ventilatorja). Za ponovno vključitev generatorja, pritisnite na gumb za ponovno vključitev (1 skica 6) in ponovno sledite vse navodila opisane v odstavku "VŽIG OGREVALNIKA".

PREVOZ IN PREMIKANJE OGREVALNIKA

OPOZORILO: Preden začnete premikati napravo morate: ustaviti stroj, kot opisano v prejšnjem odstavku; izključiti električno napajanje, oziroma sneti vtikač iz vtičnice in počakati, da se ogrevalnik ohladi.

Preden začnete dvigati ali premikati generator, morate dobro preveriti, da je zamašek rezervoarja dobro pritrjen. Generator je lahko dobavljen z kolesi (premični model) ali kot viseči model in je montiran na eni uporni strukturi z primernimi kljukami za sidranje. Sidranje mora biti izvršeno z uporabo verig ali vrvo. V prvem primeru zadostuje za prevoz generatorja prijem upornega ročaja potem pa lahko pustite teči generator na kolesih. V drugem primeru, dviganje mora biti izvršeno preko enega viličarja ali drugega podobnega sredstva.

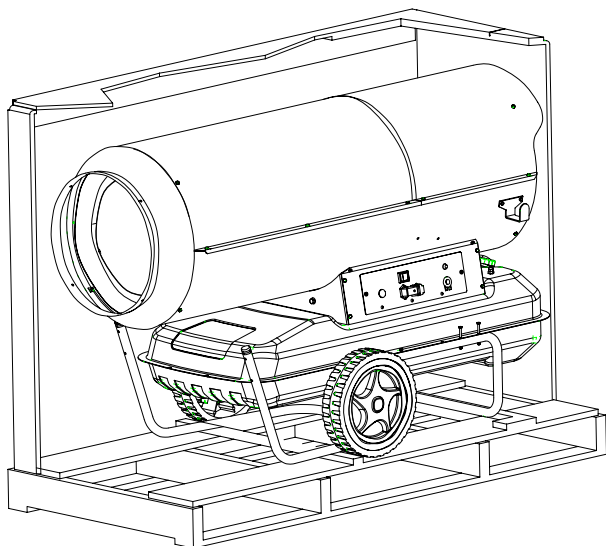
PROGRAM ZA PREVENTIVNO VZDRŽEVANJE

Za pravilno in redno delovanje vašega ogrevalnika, morate občasno očistiti izgorovalno komoro, gorilnik in ventilator.

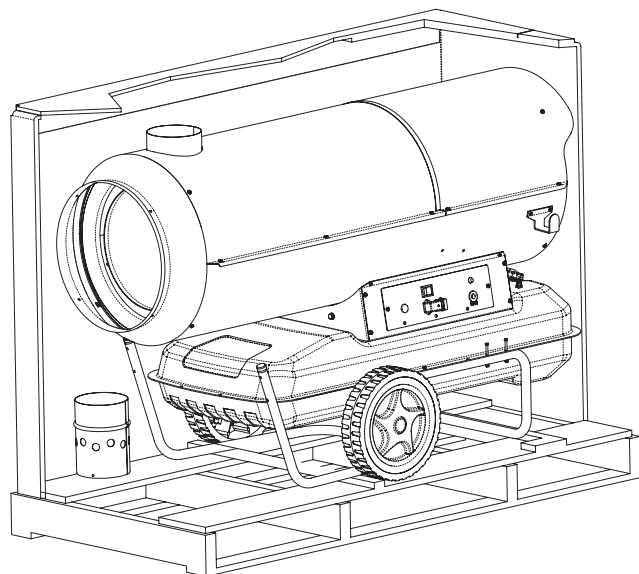
OPOZORILO: Preden začnete katerokoli opravilo morate: ustaviti stroj, kot opisano v prejšnjem odstavku; izključiti električno napajanje, oziroma sneti vtičnik iz vtičnice in počakati, da se ogrevalnik ohladi.

Vsaki petdeset ur delovanja ogrevalnika morate:

- Demontirati vložek filtra, ga odstraniti in očistiti z čistim gorivom;
- Demontirati zunanjo valjasto ogrodje in očistiti notranjo stran ter loputice ventilatorja;
- Dobro preveriti stanje kablov in povezave visoke napetosti na elektrodah;
- Demontirati gorilnik in očistiti vse dele, očistiti elektrode in naravnati razdaljo kot navedeno na strani 61 sheme regulacije elektrod.

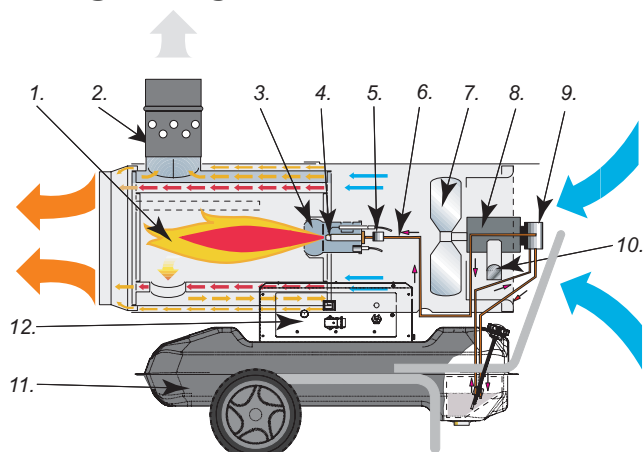


Skica 2 – Generator za direktno ogrevanje, model B.

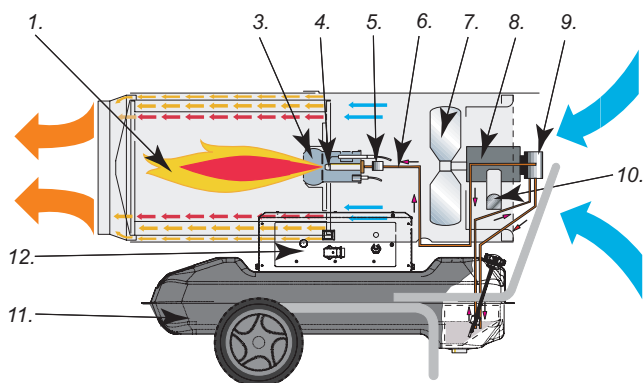


Skica 3 – Generator za indirektno ogrevanje, model BV.

PRINCIP IN SHEMA DELOVANJA



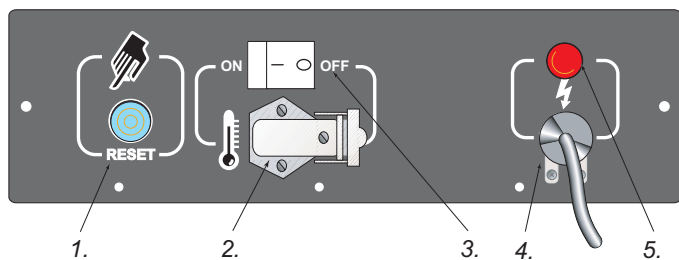
Skica 4 – Presek sheme delovanja.



Skica 5 – Presek sheme delovanja.

1. Izgorovalna komora, 2. Dimni priključek proti vetru, 3. Gorilnik, 4. Šoba, 5. Elektroventil za gorivo, 6. Vezje za napajanje goriva, 7. Loputa, 8. Motor, 9. Črpalka, 10. Streme za privijanje kabla, 11. Rezervoar, 12. Komandna plošča.

ELEKTTRIČNA PLOŠČA



1. Gumb za RESET (izklop in ponovni vklop), 2. Vtičnica za termostat, 3. Glavno stikalo, 4. Napajalni kabel, 5. Kontrolna lučka za napetost.

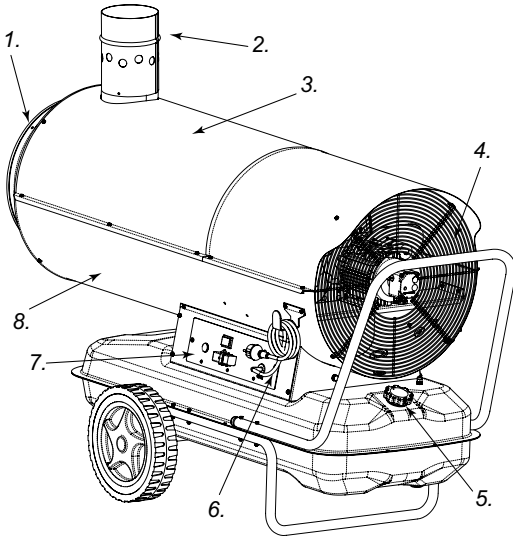
Skica 6 – Električna plošča.

UGOTAVLJANJE OKVAR

Okvara	Vzrok	Rešitev
Ventilator se ne vključi in plamen se ne prižge	<ol style="list-style-type: none"> Pomanjkanje električnega napajanja Nepravilna regulacija kontrolne naprave Kontrolna naprava je okvarjena Tuljava motorja je prežgana ali prekinjena 	<ol style="list-style-type: none"> Dobro preverite vse značilnosti električnega omrežja (230 V - 1~ - 50 Hz) Dobro preverite delovanje in položaj stikala Dobro preverite, da niso varovalke pokvarjene Preverite, da je regulacija nadzorne naprave pravilna (na primer, izbrana temperatura na termostatu mora biti višja od prostorne temperature) Zamenjajte nadzorno napravo Zamenjajte motor
Ventilator se vključi ampak plamen se ne prižge ali ne ostane prižgan	<ol style="list-style-type: none"> Vžig ne deluje pravilno Naprava za kontrolo plamena je okvarjena Fotocelica ne deluje Gorivo ne doseže gorilnika ali količina goriva ni zadostna Elektroventil ne deluje 	<ol style="list-style-type: none"> Dobro preverite povezavo kablov za vžig na elektrodah in na transformatorju Dobro preverite položaj elektrod in razdaljo, kot predvideva shema Dobro preverite, da so elektrode čiste Zamenjajte transformator za vžig Zamenjajte napravo Očistite fotocelico ali jo zamenjajte Preverite, da zglob črpalka-motor ni pokvarjen Dobro preverite, da ni zraka v vezju za napajanje goriva in dobro kontrolirajte neprepustnost cevi in tesnila filtra. Očistite ali če je potrebno zamenjajte šobo. Dobro preverite električno povezavo in termostat LI Očistite fotocelico in če je potrebno jo zamenjajte.
Ventilator in plamen se prižgeta ampak se pojavi dim	<ol style="list-style-type: none"> Zrak za izgorevanje je nezadosten Preveč zraka za izgorevanje Dizel gorivo ni čisto ali vsebuje vodo V vezju za napajanje goriva je prisoten zrak Količina goriva ki pride do gorilnika ni zadostna Čezmerna količina goriva v gorilniku 	<ol style="list-style-type: none"> Odstranite vse morebitne tujke iz ceveh za sesanje in/ali za pretok zraka. Preverite položaj obročka za regulacijo zraka Očistite ploščo gorilnika Preverite položaj obročka za regulacijo zraka Zamenjajte staro gorivo z novim Očistite filter za gorivo Preverite neprepustnost cevi in tesnila filtra za gorivo Preverite pritisk črpalke Očistite ali zamenjajte šobo Preverite pritisk črpalke Zamenjajte šobo
Generator se ne ustavi	1. Elektroventil ne drži	1. Zamenjajte elektroventil
Ventilator se ne ustavi	1. Termostat ventilatorja je pokvarjen	2. Zamenjajte termostat FA

INDICE

B VE BV ÜRÜN SUNUMU	71
EMNİYETE DAİR BİLGİLER	71
AMBALAJIN AÇILMASI	72
□SLETMEYE ALMA	72
STOP	72
GÜVENLİK CİHAZLARI	72
TAŞIMA VE HAREKET ETTİRME	73
TEDBİR NİTELİĞİNDE BAKIM PROGRAMI	73
İŞLEME İLKESİ VE ŞEMASI	73
ARIZALARIN BELİRLENMESİ	74

B VE BV ÜRÜN SUNUMU

1. Sıcak hava çıkışı, 2. Baca rakoru, 3. Üst yarım dış mahfaza, 4. Fan ızgarası, 5. Yakıt seviye sondalı depo kapağı, 6. Besleme kablosu, 7. Komut panosu 8. Alt yarım dış mahfaza

B serisi, yanma dumanlarına dışarıya verilen sıcak havayı karıştıran direkt ısıtım sıcak hava jeneratörlerini kapsar. Bu nedenle bunların kullanımı; ısıtma, buz çözme veya kurutma gereksinimi olan açık veya yüksek derecede hava değişimi gerçekleşen ortamlarda özellikle tavsiye edilir.

BV serisi ise, bir ısı epanjörü aracılığı ile yanma gazlarının, ortama verilen sıcak havadan ayrılmasını sağlayan dolaylı ısıtım sıcak hava jeneratörlerini kapsar. Bu şekilde temiz bir sıcak hava akımının ısıtılacak ortam içine verilmesi ve kirli dumanların dışarıya yönlendirilmesi mümkündür.

B ve BV serileri en modern emniyet, işlevsellik ve uzun çalışma ömrü kriterleri bazında tasarlanmıştır: emniyet aygıtları, makinenin her zaman düzgün çalışmasını garanti ederler; akustik etki minimum düzeye indirilmiştir ve malzemelerin titizlikle seçilmiş olmaları yüksek güvenilirlik garanti eder.

Lastikli tekerlekler sayesinde ısıtıcılar kolaylıkla bir yerden diğerine taşınabilir veya asma versiyonda tavana asılabilirler. Termostat aracılığı ile işleme imkanı ile birlikte verimdeki büyük otonomi, kullanıcıya çok geniş bir kullanım serbestliği sağlar. Depoda yakıt miktarının kontrolünü sağlayan bir dış gösterge, deponun olası yeniden doldurulma gereksiniminin hızlı bir şekilde kontrol edilmesini mümkün kılar.

EMNİYETE DAİR BİLGİLER

ÖNEMLİ: Bu jeneratörün montajını gerçekleştirmeden, bunu işletmeye almadan ve bunun bakımını yapmadan önce kullanım kılavuzunun tamamını dikkatli okuyunuz. Bu jeneratörün hatalı kullanımı; yanıklar, yangın, patlama, elektrik çarpmaları veya karbondioksitten boğulma sonrasında ciddi veya ölümcül yaralanmalara neden olabilir.



TEHLİKE! Karbondioksit boğulması ölümcül olabilir!

Karbondioksit boğulması - Karbondioksit boğulmasının ilk belirtileri; baş ağrısı, baş dönmesi ve/veya mide bulantısı ile grip belirtilerine benzer. Bu belirtiler, jeneratörün arızalı çalışmasından kaynaklanıyor olabilir. Derhal açık havaya çıkınız! Jeneratörü tamir ettiriniz. Özellikle hamile kadınlar olmak üzere, kalp veya akciğer hastaları, anemik kişiler, sarhoşlar ve yüksek rakımlı yerlerde yaşayanlar gibi bazı kişiler karbon dioksitin etkilerini daha yoğun şekilde hissederler. Tüm uyarıları okuyup anlamış olduğunuzdan emin olunuz. Bu kılavuzu ileride danışmak için saklayınız: nitekim, jeneratörün güvenli ve düzgün çalışması için kılavuzu teşkil eder.

- Yangın veya patlama risklerini önlemek üzere sadece kerozen veya mazot kullanınız. Asla benzin, nafta, vernik için solventler, alkol veya yüksek derecede tutuşabilir diğer yakıtları kullanmayınız.
 - Yakıt ikmali
 - a) Yakıt ikmali ile görevlendirilmiş personel, uzman, üretici bilgileri ve jeneratörlere güvenli şekilde yakıt ikmali konusunda yürürlükteki kanunlar hakkında tamamen bilgi sahibi olmalıdır.
 - b) Sadece, jeneratörün belirleyici plakası üzerinde özellikle ifade edilmiş yakıt tipini kullanınız.
 - c) Yakıt ikmalini gerçekleştirmeden önce makineyi tamamen kapatınız ve jeneratörün soğumasını bekleyiniz.
 - d) Yakıt ikmali esnasında tüm yakıt hatlarını ve ilişkin rakorlarını, olası kaçak bulunup bulunmadığını kontrol etmek üzere teftiş ediniz. Her türlü kaçak, jeneratör tekrar işletmeye alınmadan önce onarılmalıdır.
 - e) Hiçbir durumda, ısıtıcının bir gün boyunca çalışma faaliyetinde kalması için gerekli yakıt miktarını aşan miktarda yakıt aynı binada ve ısıtıcı yakınında muhafaza edilmemelidir. Yakıt depolama tankları ayrı bir binada bulundurulmalıdır.
 - f) Tüm yakıt depoları, ısıtıcılardan, oksijen hidrojen şalumolarından, kaynaklama ekipmanlarından veya benzer ateşleme kaynaklarından (jeneratör içinde bulunan yakıt deposu hariç olarak) yürürlükteki kanunlara uygun minimum bir uzaklıkta yerleştirilmiş olmalıdır.
 - g) Her mümkün olduğunda yakıt, yakıtın penetrasyonuna ve ateşlemeye sebep verebilecek, alttaki alevlerin üzerine damlayabilecek yakıtların yere penetrasyonuna izin vermeyecek şekilde düzenlenmiş zeminli yerlerde muhafaza edilmelidir.
 - h) Yakıtın muhafazası, yürürlükteki kanunlara uygun şekilde gerçekleştirilmelidir.
- Benzin, vernik solventleri veya yüksek derecede kolay tutuşabilir diğer malzemelerin mevcut oldukları mekanlarda asla jeneratörü kullanmayınız.
- Isıtıcının kullanımı esnasında, tüm yerel mevzuat ve yürürlükteki kanunlara uyunuz.

- Muşambaların, çadırların ve diğer benzer kaplama malzemelerinin yakınında kullanılan ısıtıcılar, yürürlükteki kanunlara uygun güvenlik mesafesine yerleştirilmelidir. Ateşe dayanıklı tip kaplama malzemelerinin kullanılması da tavsiye edilir. Bu malzemelerin alev almalarını önlemek ve rüzgarın neden olduğu jeneratör ile etkileşimlerden kaçınmak için bunlar emin şekilde sabitlenmelidir.
- Sadece tutuşabilir buharlardan veya yüksek toz birikimlerinden yoksun ortamlarda kullanınız.
- Jeneratörü sadece belirleyici plakası üzerinde gösterilmiş gerilim ve frekansa sahip akım ile besleyiniz.
- Sadece uygun şekilde topraklanmış üç telli uzatmalar kullanınız.
- Sıcak olan veya işleyen jeneratörü, yangın risklerini önleyecek şekilde sağlam ve düz bir yüzey üzerine yerleştiriniz.
- Jeneratör hareket ettirildiğinde veya muhafaza için yerleştirildiğinde yakıtın dışarı akmasını önlemek üzere jeneratörü düz pozisyonda tutunuz.
- Çocukları ve hayvanları jeneratörden uzak tutunuz.
- Jeneratör kullanılmadığında, şebeke prizinden çıkarınız.
- Isıtıcı, bir termostat tarafından kontrol edildiğinde her an ateşlenebilir.
- Jeneratörü asla ne sık oturlan odalarda ne de yatak odalarında kullanınız.
- Isıtıcının gerek hava girişini (arka taraf) gerekse hava çıkışını (ön taraf) asla bloke etmeyiniz.
- Isıtıcı; sıcak, şebekeye bağlı veya işler konumda olduğunda asla hareket ettirilmemeli, ellenmemeli, takviye edilmemeli ve hiçbir bakım müdahalesine tabi tutulmamalıdır.

AMBALAJIN AÇILMASI

1. Sevkiyat için ısıtıcıları ambalajlamak üzere kullanılmış tüm ambalaj malzemelerini çıkarınız.
2. Karton ambalajı kaldırınız.
3. Isıtıcıyı palete sabitleyen tüm malzemeleri çıkarınız.
4. Bacayı palete sabitleyen tüm malzemeleri çıkarınız (sadece BV serisi için).
5. Bacayı, duman hava çıkışı borusu üzerine geçiriniz (sadece BV serisi için)
6. Isıtıcıyı hassas şekilde platformdan indiriniz.
7. Makineyi, taşınma esnasında uğramış olabileceği olası hasarlar açısından kontrol ediniz. Isıtıcı hasar görmüş gözüküyor ise, satın alımı gerçekleştirmiş olduğunuz ruhsatlı satıcıyı vakit kaybetmeksizin olaydan haberdar ediniz.

AMBALAJLAMA VE DEPOLAMA

1. Makinenin hasarlı olmadığını ve özellikle yakıt kaçağı bulundurmadığını kontrol ediniz. Deponun içinde kalmış yakıtı boşaltınız.
2. Makineyi palet üzerine yerleştiriniz ve uygun malzemeler ile sabitleyiniz.
3. Bacayı çıkartınız ve uygun malzemeler ile palete sabitleyiniz.
4. Makineyi karton ambalaj ile kapatınız.
5. Karton ambalajı uygun malzemeler ile palete sabitleyiniz.
6. Makineyi uygun ve rutubetsiz bir mekanda depolayınız ve ikiden fazla sayıda makineyi üst üste yerleştirmeyiniz.

İŞLETMEYE ALMA

Jeneratörü işletmeye almadan ve bunu elektrik besleme şebekesine bağlamadan önce, elektrik besleme şebekesinin özelliklerinin makine belirleyici plakasında belirtilen özelliklere uygun olduğunun kontrol edilmesi gerekir.

UYARI: Jeneratörün elektrik besleme hattı, topraklama ve diferansiyel termik manyetik şalter ile donatılmış olmalıdır. Jeneratörün elektrik fişi, devre kesme anahtarı ile donatılmış bir prize bağlanmalıdır.

Jeneratör sadece, örneğin bir termostat veya bir saat gibi bir kontrol aygıtı, buna cihaz ile birlikte ikmal edilmiş fişin 2 ve 3 terminallerine (Res. 6) kablo sabitlenerek jeneratöre bağlanmış ise otomatik yöntemde çalışabilir (iki terminali bağlayan elektrik teli çıkarılmalıdır ve gerekli ise sadece jeneratörün kontrol aygıtı olmadan çalışması isteniyor ise yeniden takılmalıdır). Makineyi çalıştırmak için, aşağıda belirtilenler yapılmalıdır:

- kontrol aygıtı bağlanmış ise, işlemeye izin verecek şekilde bunu ayarlayınız (örneğin, termostat maksimum sıcaklık üzerine getirilmelidir);
- şalteri 3 (Res.6) yandaki sembolü taşıyan pozisyona getiriniz: ON.

fan harekete geçer ve birkaç saniye sonra yanma başlar. İlk kez hizmete alma veya mazot devresinin tamamen boşaltılmasından sonra mazotun nozüle akımı yetersiz olabilir ve jeneratörü stop ettiren alev kontrol cihazının müdahalede bulunmasına neden olabilir; bu durumda, yaklaşık bir dakika bekledikten sonra, yeniden düzenleme butonuna 1 (Res. 6) basınız ve cihazı yeniden çalıştırınız. İşletilemediği takdirde, yapılması gereken ilk işlemler aşağıdakilerdir:

1. Depoda halen mazot bulunduğunu kontrol ediniz;
2. yeniden düzenleme butonuna 1 (Res. 6) basınız;
3. Bu işlemlerden sonra jeneratör işletmediğinde, "ARIZALARIN BELİRLENMESİ" paragrafına başvurulması ve işlememe sebebinin tespit edilmesi gerekir.

STOP

Cihazın işlemlerini durdurmak için şalterin (3 Res.6) OFF pozisyonuna getirilmesi veya örneğin, termostatı daha alçak bir sıcaklığa ayarlayarak, kontrol aygıtına müdahalede bulunulması gerekir. Alev söner ve fan, yanma odası tamamen soğuyana kadar işlemeye devam eder.

GÜVENLİK CİHAZLARI

Jeneratör, alev kontrolü için elektronik bir cihaz ile donatılmıştır. Bir veya birden çok işleme aksaklıkları meydana geldiğinde bu cihaz, makinenin stop etmesine ve yeniden düzenleme butonunun ikaz lambasının (1 Res.6) yanmasına sebep olur. Bir aşırı sıcaklık termostatı müdahalede bulunur ve jeneratör aşırı ısınmış ise, mazot beslemesinin kesilmesine sebep olur: yanma odasının sıcaklığı, kabul edilen maksimum değere ulaşana kadar düştüğünde termostat otomatik olarak tekrardan devreye girer. Jeneratörü tekrar işletmeye almadan önce aşırı ısınmaya sebep olmuş nedenin (örneğin, hava emme ve/veya besleme ağzının tıkanmış olması, fanın durması) belirlenmesi ve giderilmesi gerekir. Makineyi tekrar çalıştırmak için yeniden düzenleme butonuna basılması (1 Res.6) ve "İŞLETMEYE ALMA" paragrafında belirtilen spesifik talimatların tekrarlanması gerekir.

TAŞIMA VE HAREKET ETTİRME

UYARI Cihazı hareket ettirmeden önce yapılması gerekenler: bir önceki paragrafta belirtilenlere uygun olarak cihazı durdurunuz; fişi elektrik prizinden çıkartarak elektrik beslemesini kesiniz ve jeneratörün soğumasını bekleyiniz.

Jeneratörü kaldırmadan veya hareket ettirmeden önce, depo kapağının iyice sabitlenmiş olduğundan emin olmak gerekir. Jeneratör, tekerlekler ile donatılmış seyyar versiyonda, halatlar veya zincirler ile yapılması gereken sabitleme işlemi için demirler ile bir destek yapısı üzerine monteli asma versiyonunda ikmal edilebilir. Birinci versiyonda, taşıma için jeneratörün destek tutağından kavranması ve tekerlekleri üzerinde kaydırılması yeterlidir. İkinci versiyonda, bir fork lift veya benzer donanım kullanılarak yükseltme işlemi gerçekleştirilmelidir.

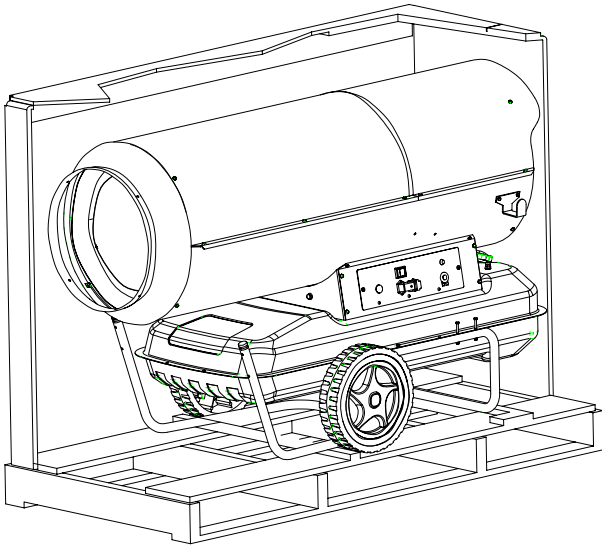
TEDBİR NİTELİĞİNDE BAKIM PROGRAMI

Cihazın düzgün çalışması için yanma odasının, brülörün ve fanın düzenli aralıklar ile temizlenmesi gerekir.

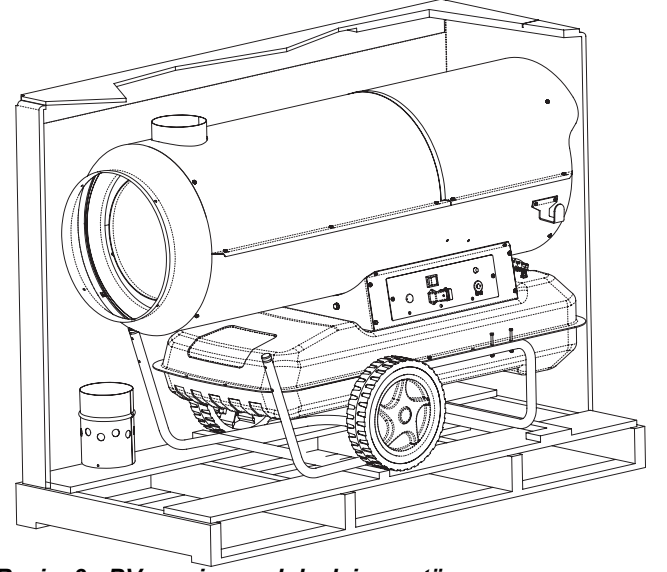
UYARI Her türlü bakım işlemine başlamadan önce yapılması gerekenler: bir önceki paragrafta belirtilenlere uygun olarak cihazı durdurunuz; fişi elektrik prizinden çıkartarak elektrik beslemesini kesiniz ve jeneratörün soğumasını bekleyiniz.

Her 50 çalıştırma saati sonrasında yapılacaklar:

- Filtre kartuşunu demonte ediniz, çıkarınız ve temiz mazot ile temizleyiniz;
- Silindirik dış karenağı demonte ediniz; iç kısmını ve fan kanatlarını temizleyiniz;
- Kabloların ve elektrotlar üzerindeki yüksek gerilim kavramalarının durumunu kontrol ediniz;
- Brülörün parçalarını temizleyerek bunu demonte ediniz; elektrotları temizleyiniz ve sf. 61'deki elektrotlar ayar emasında belirtilmiş değere uygun olarak mesafeleri ayarlayınız.

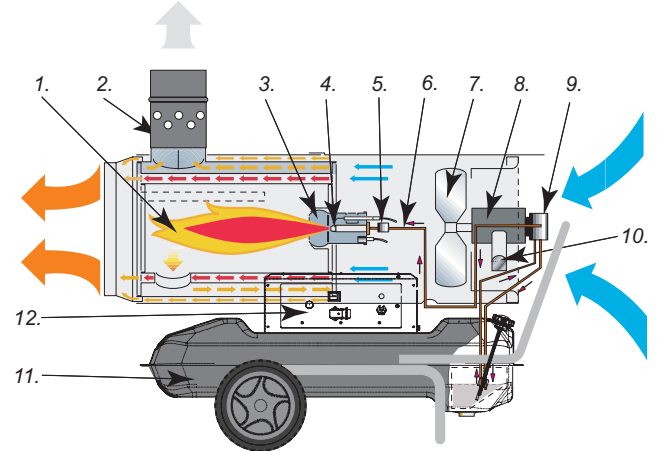


Resim 2 - B versiyonu direkt jeneratör.

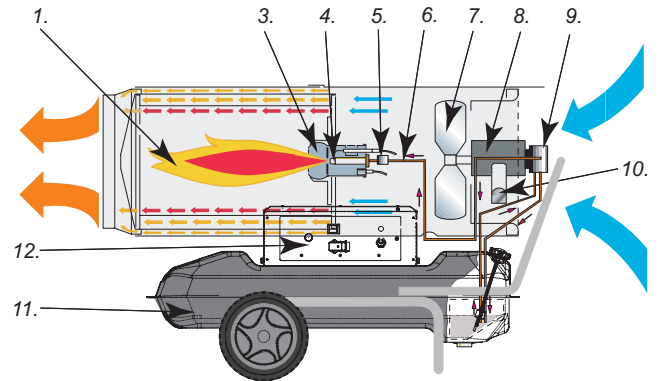


Resim 3 - BV versiyonu dolaylı jeneratör.

İŞLEME İLKESİ VE ŞEMASI



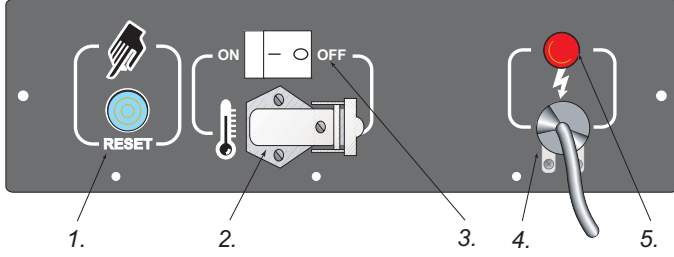
Resim 4 - İşleme şeması kesiti.



Resim 5 - İşleme şeması kesiti.

1. Yanma odası, 2. Rüzgar önleyici baca rakoru, 3. Brülör, 4. Nözü, 5. Yakıt elektro vanası, 6. Yakıt devresi, 7. Fan, 8. Motor, 9. Pompa, 10. Kablo sarma braketi, 11. Depo, 12. Kumanda panosu.

ELEKTRİK PANOSU



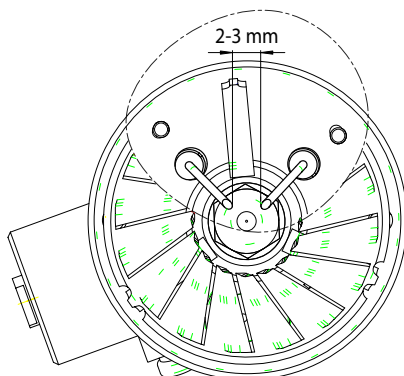
Resim 6 - Elektrik panosu.

1. RESET tuşu, 2. Ortam termostat prizi, 3. Ana şalter, 4. Besleme kablosu, 5. Gerilim ikaz lambası.

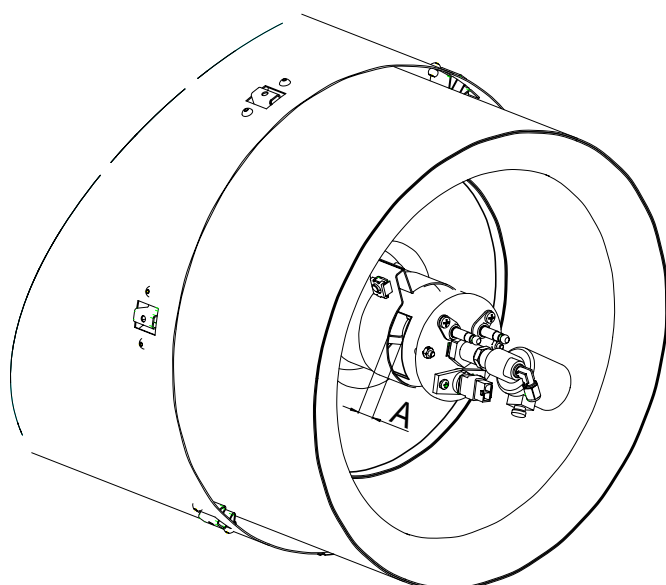
ARIZALARIN BELİRLENMESİ

Arıza	Neden	Çözüm
Fan harekete geçmiyor ve alev yanmıyor	1. Elektrik beslemesi yok 2. Olası kontrol aygıtının hatalı ayarı 3. Arızalı kontrol aygıtı 4. Motor sargısı yanmış veya kesilmiş	1a Elektrik tesisinin özelliklerini kontrol ediniz (230 V - 1~ - 50 Hz) 1b Şalterin işlevselliğini ve yerleşimini kontrol ediniz 1c Sigortaların bütünlüğünü kontrol ediniz 2 Kontrol aygıtının ayarının doğru olduğunu kontrol ediniz (örneğin termostat üzerinde seçilmiş olan sıcaklığın ortam sıcaklığından yüksek olması gerekir) 3 Kontrol aygıtını değiştiriniz 4 Motoru değiştiriniz
Fan harekete geçiyor ve alev yanmıyor veya yanık kalmıyor	1. Ateşleme işlemiyor 2. Alev kontrol cihazı arızalı 3. Fotosel işlemiyor 4. Brülöre mazot gelmiyor veya yeterli miktarda gelmiyor 5. Elektro vana işlemiyor	1a Ateşleme kablolarının elektrotlara ve transformatöre bağlantılarını kontrol ediniz 1b Elektrotların pozisyonunu ve şemaya göre mesafelerini kontrol ediniz 1c Elektrotların temiz olduğunu kontrol ediniz 1d Ateşleme transformatörünü değiştiriniz 2. Cihazı değiştiriniz 3. Fotoselini temizleyiniz veya değiştiriniz 4a Pompa-motor bağlantı parçasının bütünlüğünü kontrol ediniz 4b Boruların ve filtre contasının sızdırmazlığını kontrol ederek mazot devresinde hava infiltrasyonlarının olmadığını kontrol ediniz 4c Nozülü temizleyiniz veya gerekli ise değiştiriniz 5a Elektrik bağlantısını ve LI termostatını kontrol ediniz 5b Elektro vanayı temizleyiniz ve gerekiyor ise değiştiriniz
Fan harekete geçiyor ve alev duman çıkarak yanıyor	1. Yetersiz yanma havası 2. Aşırı yanma havası 3. Kullanılan mazot kirli veya içinde su var 4. Mazot devresinde hava infiltrasyonları 5. Brülöre yetersiz miktarda mazot gidiyor 6. Brülöre aşırı miktarda mazot gidiyor	1a Emme ve/veya hava besleme borularında olabilecek tüm mümkün engelleri ve tıkanmaları gideriniz 1b Hava ayarlama halkasının pozisyonunu kontrol ediniz 1c Brülör diskini temizleyiniz 2 Hava ayarlama halkasının pozisyonunu kontrol ediniz 3a Kullanılmış mazotu temiz mazot ile değiştiriniz 3b Mazot filtresini temizleyiniz 4 Boruların ve mazot filtresi contasının sızdırmazlığını kontrol ediniz 5a Pompa basıncının değerini kontrol ediniz 5b Nozülü temizleyiniz veya değiştiriniz 6a Pompa basıncının değerini kontrol ediniz 6b Nozülü değiştiriniz
Jeneratör stop etmiyor	1. Elektro vana tutması arızalı	1. Elektro vana gövdesini değiştiriniz
Fan stop etmiyor	1. Fan termostatı arızalı	2. FA termostatını değiştiriniz

REGOLAZIONE ELETTRUDI - REGULATION OF ELECTRODES - EINSTELLUNG DER ELEKTRODEN - REGULACIÓN ELECTRODOS - RÉGLAGE DES ÉLECTRODES - ELEKTRODE-AFSTELLING - REGULAGEM DOS ELETRODOS - ELEKTRODE JUSTERING - ELEKTRODIEN SÄÄTÖ - REGULERING AV ELEKTRODER - ELEKTRODREGLERING - REGULACJA ELEKTROD - РЕГУЛИРОВКА ЭЛЕКТРОДОВ - REGULACE ELEKTROD - ELEKTRÓDÁK BEÁLLÍTÁSA - PODEŠAVANJE ELEKTRODA - REGULACIJA ELEKTROD - ELEKTROTLARIN AYARI



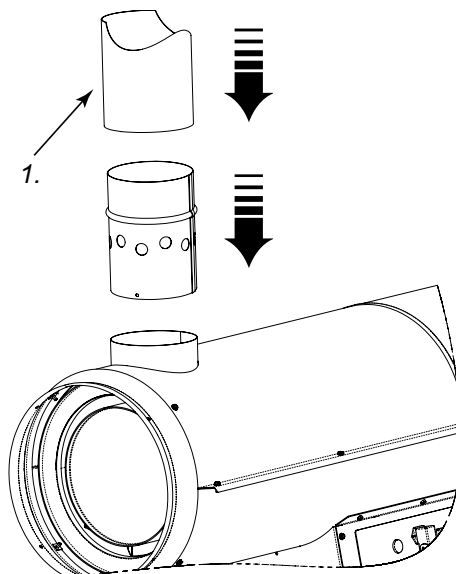
REGOLAZIONE SERRANDA ARIA COMBURENTE - REGULATION OF COMBUSTION AIR SHUTTER - REGELUNG DER VERBRENNUNGSLUFTKLAPPE - REGULACIÓN REGISTRO AIRE PARA LA COMBUSTIÓN - RÉGLAGE DU RIDEAU AIR COMBURANT - AFSTELLING VERBRANDINGSLUCHTKLEP - REGULAGEM DA VÁLVULA DE AR COMBURENTE - ILTNÆRENDE LUFTSLUSE JUSTERING - POLTTOILMAN OTON SÄÄDÖT - REGULERING AV VARMLUFTSGITTERET - FLÖDESREGLERING LUFT-BRÄNSLESJÄLL - REGULACJO POKRYWY POWIETRZE Z PALIWEM - РЕГУЛИРОВКА ЗАСЛОНКИ ВОЗДУХА, ПОДДЕРЖИВАЮЩЕГО ГОРЕНИЕ - REGULACE HRADÍTKA SPALOVACÍHO VZDUCHU - ÉGÉSI LEVEGŐ ZSALU SZABÁLYOZÁSA - PODEŠAVANJE ZAKLOPKE ZRAKA KOJI POSPJEŠUJE SAGORIJEVANJE - REGULACIJA LOPUTICE GORILNEGA ZRAKA - YANMA HAVASI KEPENK AYARI



A= 10 mm (BV 110 E)
 A= 20 mm (BV 170 E - BVS 170 E)
 A= 14 mm (BV 290 E - BVS 290 E)
 A= 16 mm (B 230 - BS 230)
 A= 18 mm (B 360)

SCHEMA DI FISSAGGIO - FLUE CONNECTIONS DIAGRAM - BEFESTIGUNG DES RAUCHABZUGS - ESQUEMA FIJACIÓN CHIMENEA - SCHÉMA DE FIXATION DE LA CHEMINÉE - AFVOERMONTAGESCHEMA - ESQUEMA DE FIXAÇÃO DA CHAMINÉ - SKORSTEN FASTGØRELSSESKEMA - SAVUPIIPUN KIINNITYSKAAVIO - OVERSIKT OVER FASTMONTERING AV SKORSTEIN - INFÄSTNING AV KAMINRÖR - SCHEMAT ZAMOCOWANIAKOMINA - СХЕМА КРЕПЛЕНИЯ ВОЗДУХОВОДА - SHEMA PRIČVRŠČIVANJA - SHEMA PRITRDITVE - SABİTLEME ŞEMASI

1. Ø 150 mm



SCHEMA POSIZIONAMENTO TUBO FUMI - FLUE PIPE POSITIONING DIAGRAM - ANBRINGUNG DES ABZUGSROHRS - ESQUEMA POSICIONAMIENTO TUBO HUMOS - SCHÉMA DE POSITIONNEMENT DU CONDUIT DE FUMÉE - PLAATSINGSSCHEMA ROOKBUIS - ESQUEMA DE COLOCAÇÃO DO TUBO DA CHAMINÉ - RØGRØR INSTALLERINGSSKEMA - SAVUKAASUN POISTOPUTKIEN KIINNITYSKAAVIO - OVERSIKT OVER PLASSERING AV RØYKUTFØRSELSRØR - SKORSTENENS PLACERING OCH DIMENSIONER - SCHEMAT ZAINSTALOWANIA RURY SPALIN - СХЕМА РАСПОЛОЖЕНИЯ ДЫМОВОЙ ТРУБЫ - SCHÉMA UMÍSTĚNÍ TRUBEK NA KOUŘ - SHEMA POSTAVLJANJA CIJEVI ZA DIMOVE - SHEMA POSTAVITVE CEVI ZA DIME - DUMAN BORULARINI YERLEŞTİRME ŞEMASI

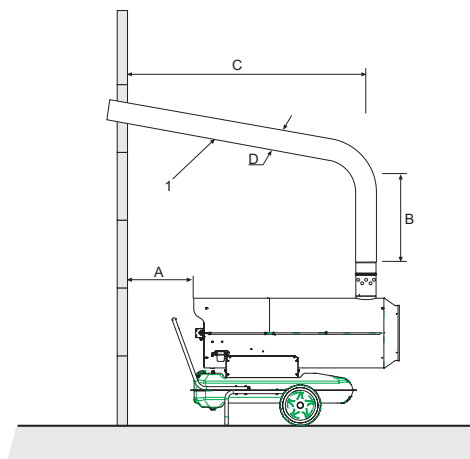
A= >1m

B= >1m

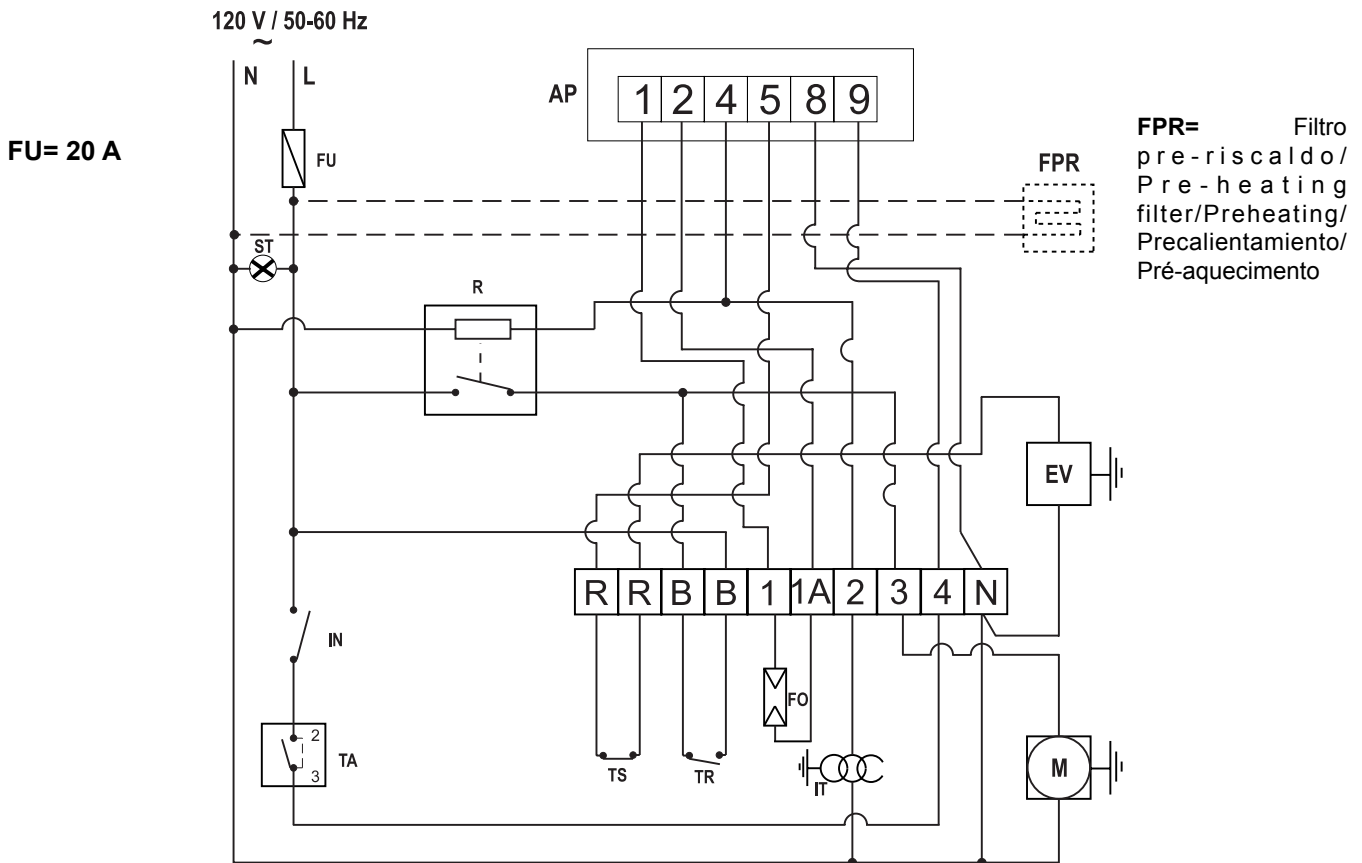
C= il più corto possibile/as short as possible/so kurz wie möglich/lo más corto posible/le plus court possible/zo kort mogelijk/o mais curto possível/så kort som muligt/lyhin mahdollinen/så kort som mulig/minsta möjliga avstånd/Najbardziej mo liwie krótki/Как можно меньше/Pokud možno so nejkratši/A lehető legrövidebb/Najkraći mogući/Čim več kratka/Mümkün olduğu kadar kısa

D= ≥ 150 mm

1= > 5°



**SCHEMA ELETTRICO - ELECTRIC DIAGRAM - ELEKTROSCHALTPLAN -
ESQUEMA ALÁMBRICO - SCHÉMA ÉLECTRIQUE - BEDRADINGSSHEMA
- ESQUEMA ELÉCTRICO - ELEKTRISK SKEMA - SÄHKÖKAAVIO - OVERSIKT
OVER ELEKTRISKE FUNKSJONER - ELSHEMA - SCHEMAT ELEKTRYCZNY
- ЭЛЕКТРОСХЕМА - SCHÉMA ELEKTRĚNY - VILLAMOS BEKÖTÉSI RAJZ -
ELEKTRIČNA SHEMA - ELEKTRIČNA SHEMA - ELEKTRIK SEMASI**



FU= Fusibile/Fuse/Schmelzsicherung/Fusibile/Zekering/Fusivel/Sikring/Sulake/Sikring/Säkring/Bezpiecznik topikowy/Предохранитель/Tavná pojistka/Olvadóbiztosíték
IT=trasformatore alta tensione/High voltage transformer/Hochspannungstransformator/Transform. alta tensión/Transform. haute tension/Hoogspanningstransformat
or/Transform. de alta tensão/Højspænding transform./Korkeajännitemuuntaja/Højspenningstransformator/Transform. hög spänning/Transform. o wysokim napięciu/
Трансформатор высокого напряжения/Transform.vysokého napätí/Nagyfeszültség transzformátor

TS=termostato di sicurezza/Safety therm./Sicherheitsthermostat/Term. de seguridad/Thermostat de sécurité/Veiligheidsthermostaat/Term. de segurança/Sikkerheds
term./Varoermostaatti/Sikkerhetsterm./Säkerhetsterm. Termostat bezpečnosti/Предохранительный термостат/Bezpečnostní term./Biztonsági termosztát

EV=elettrovalvola/Electric valve/Elektroventil/Electro-válvula/Électrovanne/Elektromagnetische klep/Eletroválvula/Sähköventtiili/EIventil/Elektrozawór/Электрoкран/
Elektrick ventil/Mágnesszelep

FO=fotoresistenza/Photoresistance/Fotozelle/Fotorresistencia/Photorésistance/Fotoweerstand/Fotoresistència/Fotomodstand/Valovastus/Fotoresistens/Focell/
Fotoodpornoš/Фоторезистор/Fotoelektrick odpor/Fotoellenállás

TR=termostato ventilatore/Fan thermostat/Ventilatorthermostat/Termostato ventilador/Thermostat ventilateur/Thermostaatventilator/Termostato do ventilador/Blæser
termostat/Tuulettimen termostaatti/Viftetermostat/Termostat fläkt/Termostat wentylator/Термостат вентилятора/Termostat ventilátoru/Ventilátor termosztát

M=motore ventilatore/Fan/Ventilatormotor/Motor ventilador/Moteur ventilateur/Motorventilator/Motor do ventilador/Blæser motor/Moottorin tuuletin/Viftemotor/
Fläktmotor/Silnik wentylator/Мотро вентилятора/Motor ventilátoru/Ventilátor motor

ST=spia tensione/Power indicator/Spannungsanzeige/Luz indicadora tensión/Témoin de tension/Spanningsspion/Sinal de tensão elétrica/Spænding kontrollampe/
Jännitteen merkivalo/Varsellampe, trykk/Indikeringslampa spänning/Wskaźnik napięcia/Индикатор напряжения/Kontrolka napätí/Feszültség jelzőlámpa

IN=Interruttore/Switch/Schalter/Interruptor/Interrupteur/Schakelaar/Kontakt/Katkaisija/Bryter/Brytarkontakt/Wyłącznik/Переключатель/Spinaã/Megszakító
Tomada term. ambiente/Indvendig temperatur term. stik/Huoneenlämpötermostaatin pistoke/Kontakt for romtermostaten/Uttag för extern term./Gniazdo termostatu

rokojowego/Pozetka termostatu внешней среды/Zásuvka termostatu pro okolní ovzduší/Környezeti levegő termosztát csatlakozó

R=relè/Relay/Relais/Relê/Relæ/Relä/Przełącznik/Реле

TF 974=apparecchiatura di controllo/Control equipment/Steuergerät/Dispositivo de control/Appareillage de contrôle/Contrôle-instrument/Aparelhagem de controle/
Kontrolanordning/Valvontalaite/Kontrollapparat/Styrapparat/Aparatura kontrolna/Контрольные приборы/Kontrolni zařízení/Vezérlő készülék

IT - CERTIFICATO CE DI CONFORMITÀ
GB - CERTIFICATE CE OF CONFORMITY
DE - KONFORMITÄTSBESCHEINIGUNG
ES - CERTIFICADO CE DE CONFORMIDAD
FR - CERTIFICAT CE DE CONFORMITE
NL - CE CONFORMITEITSVERKLARING
PT - CERTIFICADO CE DE CONFORMIDADE
DK - KONFORMITETS - SERTIFIKAT
FI - KELPOISUUSTODISTUS
NO - CE - KONFORMITETSERKLÆRING
SV - INTYG OM ÖVERENSSTÄMMELSE MED CE NORMER PCH REGELVERK
PL - DEKLARACJA ZGODNOŚCI CE
RU - ДЕКЛАРАЦИЯ СООТВЕТСТВИЯ ЕС
CZ - PROHLÁŠENÍ O DODRŽENÍ NAŘÍZENÍ EC
HU - MEGFELELŐSÉGI BIZONYÍTVÁNY
HR - JAMSTVO KVALITETE
SI - SPRIČEVALO KAKOVOS
TR - UYGUNLUK BELGESİ

La sottostritta ditta: - The underwrite company: - Die undterzeichnende Firma: - La Firma que suscribe: - La société suivante: -
 Ondergetekende: - A abaixo-escrita firma: - Det undertegnede selskap: - Herved erklærer vi: - Фирма: - Niżej podpisane: - Asağıda
 imzası bulunan firma:

DESA Europe B.V. Postbus 271 - 4700 AG Roosendaal - NL

Dichiara sotto la propria responsabilità che la macchina: - Declares under its responsibility that the machine
 Erklärt auf eigene Verantwortung, dass die Maschine: - Declara bajo su propia responsabilidad, que la máquina:
 Atteste sous sa responsabilité que la machine: - Verklaart verantwoordelijk te zijn voor onderstaande machine:
 Declara abaixo, a própria responsabilidade que a máquina: - Enkarer pri eget ansvar at mzikin:
 Allekirjoittanut yritys ilmoittaa vastuuntuntoisena että laite vastaa laite: - Verklaart verantwoordelijk te zijn voor onderstaande machine:
 Försäkrar under eget ansvar att maskinen - Przedsiębiorstwo świadome swojej odpowiedzialności oznajmie, że maszyna:
 - Нидерланды Заявляет в свою ответственность что оборудование: - Prohlašujeme, že tyto modely odpovídají uvedeným
 nařízením: - Alulírott vállalat felelőssége tudatában kijelenti, hogy a gép: - Dole potpisana tvrtka potvrđuje, da uređaj: - Spodaj po-
 dpisano podjetje potrjuje, da stroj: - Asağdaki direktiflere uygun olduğunu:

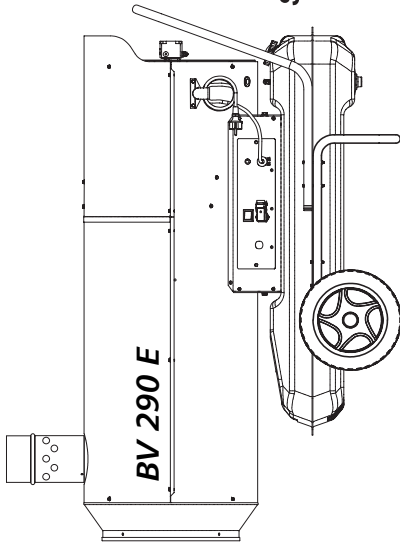
Generatore d'aria calda - Hot air generator - Warmlufterhitzer - Generadores de aire caliente -
Generateurs d'air chaud - Varwarmingstoestellen op gas - Gerador de ar quente - Luftpvarmer indretning
- Ilmanlämmityslaitte - Luftvarmeapparat - Varmluftpanna - Urządzenie ogrzewcze powietrza - Нагревательный
прибор - Horkovzdušný agregát - Légfűtő berendezés - Uređaj za upuh toploga zraka - Priprava za vpihavanje
toploga zraka - Portatif basınçlı hava iticilar

BV 110 E - BV 170 E - BV 290 E - B 230 - B 360
BVS 170 E - BVS 290 E - BS 230 - BS 360

E' conforme alle direttive: - The machine complies with: - Entspricht den:
 Està realizada conforme a las directivas: - Est conforme aux normes: - Is in overeenstemming met de richtlijnen:
 E' conforme as diretrizes: - Apparatet modsvarer: - Laite vastaa:
 Er i konformitet med EU-direktiv: - Mostvarar riktlinjerna enligt - Maszyna odpowiada: - Отвечает норме:
 Zařízení vyhovuje: - A gép megfelel: - Stroj odgovarja: - Kendi sorumluluğu altında beyan eder:

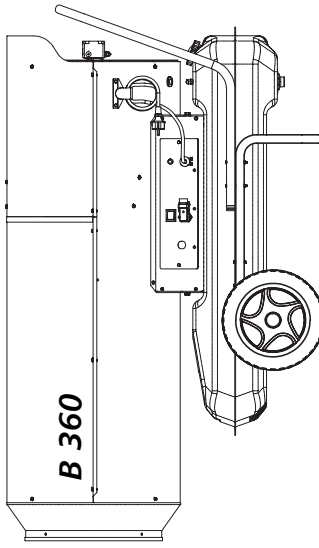
98/37 CE, 91/368, 93/44, EMC 89/336, 92/31, 93/68, 73/23

**POSIZIONE ALTERNATIVA DELLE RUOTE PER DIRETTI ED INDIRETTI
WHEELS ALTERNATIVE POSITIONS FOR DIRECT / INDIRECT
POSITIONS POSSIBLES DES ROUES POUR LES DIRECT / INDIRECT
ALTERNATIVE RÄDERSTELLUNG FÜR MODELL DIREKTER UND INDIREKTER**



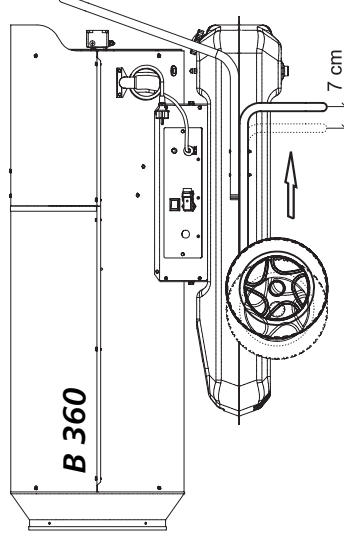
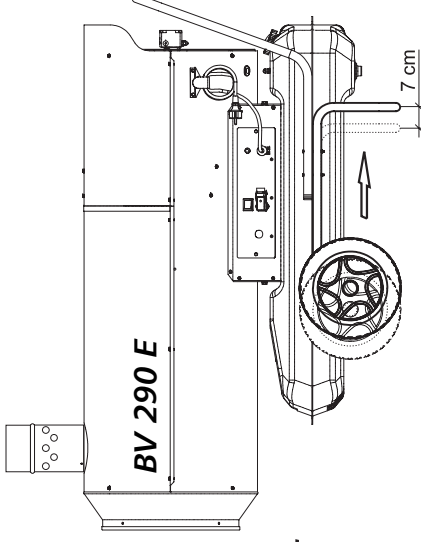
**RESTORE WHEELS ON
POSITION 1 BEFORE
STARTING REPLACING THE MOTOR.**

**PRIMA DI ESEGUIRE QUALSIASI
MANUTENZIONE RIPORTARE
LE RUOTE IN POSIZIONE 1.**



**REPOSITIONNEZ LES ROUES
EN POSITION 1 AVANT DE
DÉPLACER LE MOTEUR.**

**VOR REPARATUREN RÄDER AN
POSITION 1 RÜCKEN**



**WHEELS POSITION 1 - POSIZIONE RUOTE 1 -
ROUES EN POSITION 1 - RÄDERSTELLUNG 1**

Easy movement with empty or half load tank. This position will allow any kind of maintenance. Not suitable for substantial movement with full load tank.

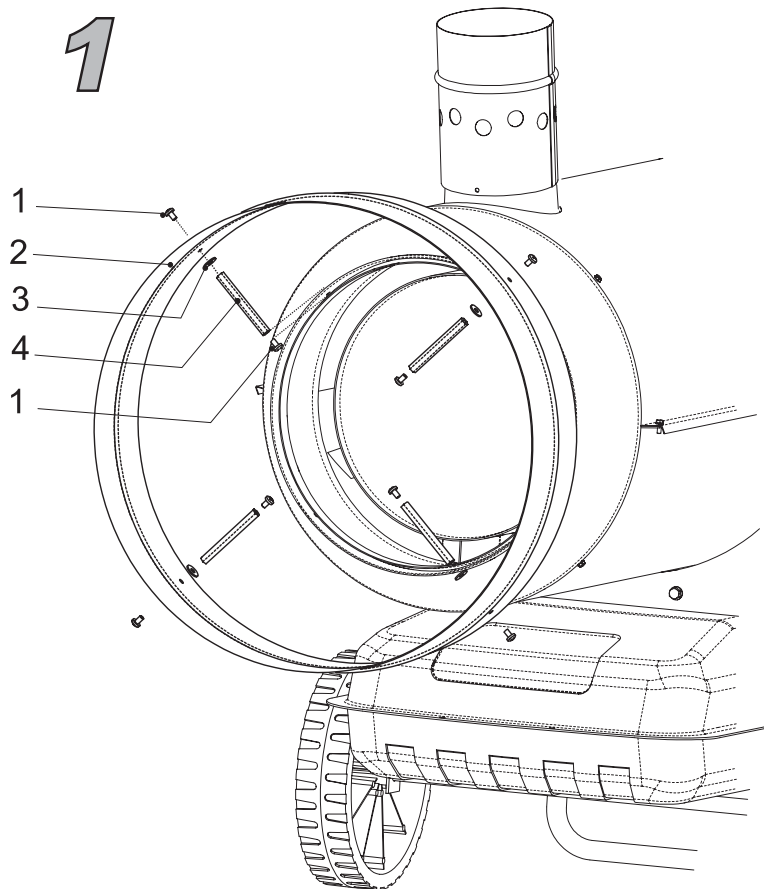
*Questa posizione permette un facile spostamento o manutenzione se il serbatoio non supera la metà di carico.
Cette position vous permettra des mouvements et un entretien facile, mais seulement si le réservoir est vide ou à moitié rempli.
Einfache Bewegung mit leerem oder halb vollem Tank.*



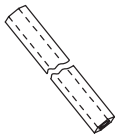
**WHEELS POSITION 2 - POSIZIONE RUOTE 2 -
ROUES EN POSITION 1 - RÄDERSTELLUNG 1**

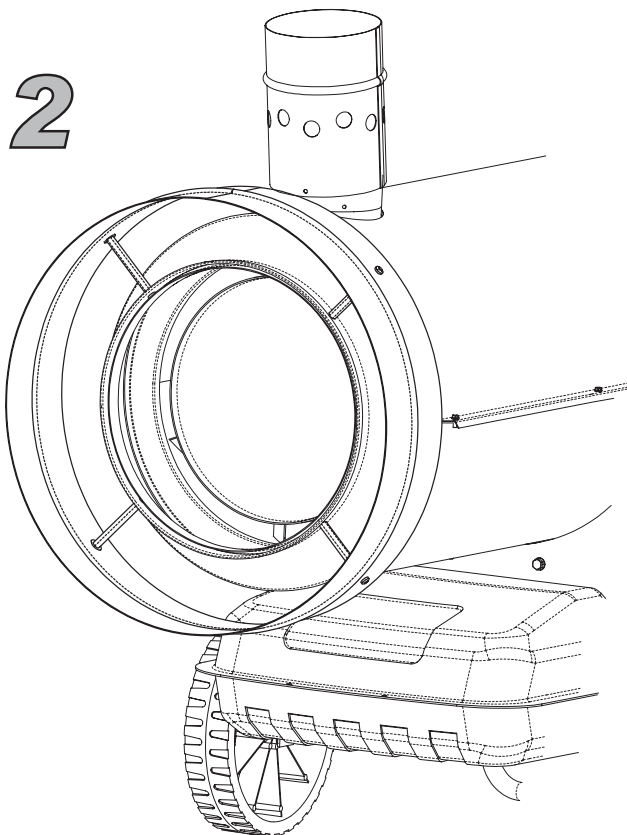
*Easy movement with full load tank.
Questa posizione permette un facile spostamento se il serbatoio è a pieno carico.*

*Cette position vous permettra des mouvements faciles si le réservoir est complètement rempli.
Einfache Bewegung mit vollem Tank.*

Kit catalizzatore - Hose connection kit



	X 8
	X 4
	X 4



IT - Smaltimento del prodotto

- Questo prodotto è stato progettato e fabbricato con materiali e componenti di alta qualità, che possono essere riciclati e riutilizzati.
- Quando ad un prodotto è attaccato il simbolo del bidone con le ruote segnato da una croce, significa che il prodotto è tutelato dalla Direttiva Europea 2002/96/EC.
- Si prega di informarsi in merito al sistema locale di raccolta differenziata per i prodotti elettrici ed elettronici.
- Rispettare le norme locali in vigore e non smaltire i prodotti vecchi nei normali rifiuti domestici. Il corretto smaltimento del prodotto aiuta ad evitare possibili conseguenze negative per la salute dell'ambiente e dell'uomo.

GB - Disposal of your old product

- Your product is designed and manufactured with high quality materials and components, which can be recycled and reused.
- When this crossed-out wheeled bin symbol is attached to a product it means the product is covered by the European Directive 2002/96/EC.
- Please inform yourself about the local separate collection system for electrical and electronic products.
- Please act according to your local rules and do not dispose of your old product with your normal household waste. The correct disposal of your old product will help prevent potential negative consequences for the environment and human health.

DE - Entsorgung Ihres Altgerätes

- Ihr Produkt ist aus hochqualitativen Materialien und Bestandteilen hergestellt, die dem Recycling zugeführt und wiederverwertet werden können.
- Falls dieses Symbol eines durchgestrichenen Müllcontainers auf Rollen auf diesem Produkt angebracht ist, bedeutet dies, dass es von der Europäischen Richtlinie 2002/96/EG erfasst wird.
- Bitte informieren Sie sich über die örtlichen Sammelstellen für Elektroprodukte und elektronische Geräte.
- Bitte beachten Sie die lokalen Vorschriften und entsorgen Sie Ihre Altgeräte nicht mit dem normalen Haushaltsmüll. Die korrekte Entsorgung Ihres Altgerätes ist ein Beitrag zur Vermeidung möglicher negativer Folgen für die Umwelt und die menschliche Gesundheit.

ES - Cómo deshacerse del producto usado

- Su producto ha sido diseñado y fabricado con materiales y componentes de alta calidad, que pueden ser reciclados y reutilizados.
- Cuando vea este símbolo de una papelera con ruedas tachada junto a un producto, esto significa que el producto está bajo la Directiva Europea 2002/96/EC.
- Deberá informarse sobre el sistema de reciclaje local separado para productos eléctricos y electrónicos.
- Siga las normas locales y no se deshaga de los productos usados tirándolos en la basura normal de su hogar. El reciclaje correcto de su producto usado ayudará a evitar consecuencias negativas para el medio ambiente y la salud de las personas.

FR - Se débarrasser de votre produit usagé

- Votre produit est conçu et fabriqué avec des matériaux et des composants de haute qualité, qui peuvent être recyclés et utilisés de nouveau.
- Lorsque ce symbole d'une poubelle à roue barrée à un produit, cela signifie que le produit est couvert par la Directive Européenne 2002/96/EC.
- Veuillez vous informer du système local de séparation des déchets électriques et électroniques.
- Veuillez agir selon les règles locales et ne pas jeter vos produits usagés avec les déchets domestiques usuels. Jeter correctement votre produit usagé aidera à prévenir les conséquences négatives potentielles contre l'environnement et la santé humaine.

NL - Wegwerpen van uw afgedankt apparaat

- Uw apparaat werd ontworpen met een vervaardigd uit onderdelen en materialen van superieure kwaliteit, die gerecycleerd en opnieuw gebruikt kunnen worden.
- Wanneer het symbool van een doorstreepte vuilnisemmer op wielen op een product is bevestigd, betekent dit dat het product conform is de Europese Richtlijn 2002/96/EC.

- Gelieve u te informeren in verband met het plaatselijke inzamelingsysteem voor elektrische en elektronische apparaten.
- Gelieve u te houden aan de plaatselijke reglementering en apparaten niet met het gewone huisvuil mee te geven. Door afgedankte apparaten op een correcte manier weg te werpen helpt u mogelijke negatieve gevolgen voor het milieu en de gezondheid te voorkomen.

PT - Descartar-se do seu produto velho

- O seu produto está concebido e fabricado com materiais e componentes de mais alta qualidade, os quais podem ser reciclados e reutilizados.
- Quando o símbolo de um caixote do lixo com rodas e traçado or uma cruz estiver anexado a um produto, isto significa que o produto se encontra coberto pela Directiva Europeia 2002/96/EC.
- Por favor informe-se sobre o sistema local para a separação e recolha de produtos eléctricos e electrónicos.
- Actue por favor em conformidade com as suas regras locais e, não se desfaça de produtos velhos conjuntamente com os seus desperdícios caseiros. Desfazer-se correctamente do seu produto velho ajudará a evitar consequências potencialmente negativas para o ambiente e saúde humana.

DK - Bortskaffelse af dit gamle produkt

- Dit produkt er designet og produceret med materialer af høj kvalitet, som kan blive genbrugt.
- Når du ser symbolet med en skraldespand, der er kryds over, betyder det, at produktet er dækket af EU direktiv nr. 2002/96/EC.
- Venligst sæt dig ind i de danske regler om indsamling af elektriske og elektroniske produkter.
- Venligst overhold de danske regler og smid ikke dine gamle produkter ud sammen med dit normale husholdningsaffald. den korrekte bortskaffelsesmetode vil forebygge negative følger for miljøet og folkesundheden.

FI - Vanhan tuotteen hävittäminen

- Tuotteesi on suunniteltu ja valmistettu korkealuokkaisista materiaaleista ja komponenteista, jotka voidaan kierrättää ja käyttää uudell.
- Kun tuotteessa on tämä ylivedetyn pyörillä olevan roskakorin symboli, tuote täyttää Euroopan Direktiivin 2002/96/EC.
- Ole hyvä ja etsi tieto lähimmästä erillisestä sähköllä toimivien tuotteiden keräysjärjestelmästä.
- Toimipaikkallisten sääntöjen mukaisesti äläkä hävitä vanhaa tuotetta normaalin kotitalousjätteen joukossa. Tuotteen oikeanlainen hävittäminen auttaa estämään mahdolliset vaikutukset ympäristölle ja ihmisten terveydelle.

NO - Kaste det gamle apparatet

- Alle elektriske og elektroniske produkter skal kastes i atskilte gjenbrugsstasjoner som er satt ut av statlige eller lokale myndigheter.
- Når dette symbolet med en søppeldunk med kryss på er festet til et produkt, betyr det at produktet dekkes av EU-direktivet 2002/96/EF.
- Riktig avfallshåndtering av det gamle apparatet bidrar til å forhindre mulige negative konsekvenser for miljøet og folkehelsen.
- Hvis du vil ha mer detaljert informasjon om avfallshåndtering av gamle apparater, kan du kontakte lokale myndigheter, leverandøren av avfallshåndteringstjenesten eller butikken der du kjøpte produktet.

SV - Undagörande av din gamla produkt

- Din produkt är designad och tillverkad med material och komponenter av högsta kvalitet, vilka kan återvinnas och återanvändas.
- När den här överstrukna sopkorgen på en produkt, betyder det att produkten täcks av Europeiska Direktiv 2002/96/EC.
- Informera dig själv om lokala återvinnings och sophanteringssystem för elektriska och elektroniska produkter.
- Agera i enlighet med dina lokala regler och släng inte dina gamla produkter tillsammans med ditt normala hushållsavfall. Korrekt sophantering av din gamla produkt kommer att hjälpa till att för naturen och människors häls.

PL - Usuwanie starego produktu

- Zakupiony produkt zaprojektowano i wykonano z materiałów najwyższej jakości i komponentów, które podlegają recyklingowi i mogą być ponownie użyte.
- Jeżeli produkt jest oznaczony powyższym symbolem przekreślonego kosza na śmiecie, oznacza to że produkt spełnia wymagania Dyrektywy Europejskiej 2002/96/EC.
- Zaleca się zapoznanie z lokalnym systemem odbioru produktów elektrycznych i elektronicznych.
- Zaleca się działanie zgodnie z lokalnymi przepisami i nie wyrzucanie zużytych produktów do pojemników na odpady gospodarcze. Właściwe usuwanie starych produktów pomoże uniknąć potencjalnych negatywnych konsekwencji oddziaływania na środowisko i zdrowie ludzi.

RU - Утилизация старого устройства

- Ваше устройство спроектировано и изготовлено из высококачественных Материалов и компонентов, которые можно утилизировать и использовать повторно
- Если товар имеет с зачеркнутым мусорным ящиком на колесах, это означает, что товар соответствует Европейской директиве 2002/96/EC.
- Ознакомьтесь с местной системой раздельного сбора электрических и электронных товаров.
- Утилизируйте старые устройства отдельно от бытовых отходов. Правильная утилизация вашего товара позволит предотвратить возможные отрицательные последствия для окружающей среды и человеческого здоровья.

CZ - Likvidace starého produktu

- Produkt je navržen a vyroben za použití velmi kvalitních materiálů a komponent, které lze recyklovat a znovu použít.
- Když je produktu připevněn symbol s přeškrtnutým košem, znamená to, že je produkt kryt evropskou směrnicí 2002/96/EC.
- Informujte se o místním tříděném systému pro elektrické produkty.
- Řiďte se místními pravidly a nelikvidujte staré produkty spolu s běžným odpadem. Správná likvidace starého produktu pomůže zabránit případným negativním následkům pro životní prostředí a lidské zdraví.

HU - Régi termékének eldobása

- A terméket kiváló anyagokból és összetevőkből tervezték és készítették, melyek újrahasznosíthatóak és újra felhasználhatóak.
- Ha az áthúzott kerek szemetes szimbólumot látja egy terméken, akkor a termék megfelel a 2002/96/EK Európai Direktívának.
- Kérjük, érdeklődjön az elektromos és elektronikus termékek helyi szelektív hulladékgyűjtési rendjéről.

- Kérjük, a helyvi törvényeknek megfelelően járjon el, és régi termékeit ne a normális háztartási szeméttel dobja ki. A régi termék helyes eldobása segít megelőzni a lehetséges negatív következményeket a környezetre és az emberi egészségre nézve.

HR - Zbrinjavanje proizvoda

- Ovaj je proizvod projektiran i proizveden s materijalima i komponentama visoke kvalitete, koji se mogu reciklirati i ponovno iskoristiti.
- Kada je na proizvodu prilijepljen simbol prekrižene kante sa kotačićima, znači da proizvod štite europske direktive 2003/96/EC.
- Potrebno je informirati se o lokalnom sistemu odvojenog skupljanja otpada za električne i elektronske proizvode.
- Poštivati lokalne propise na snazi i ne zbrinjavati stare proizvode u normalnom kućnom otpadu. Ispravno zbrinjavanje proizvoda pomaže u izbjegavanju mogućih posljedica po zdravlje čovjeka i prirodne okoline.

SI - Končno odvajanje generatorja

- Ta generator toplega zraka je bil načrtovan in proizveden z kakovostnimi materiali in sestavni deli se lahko predelujejo za ponovno uporabo.
- Kadar izdelek ima pritrjeno tablico z oznako z velikim zbiralnikom odpadkov z kolesi in ta oznaka je zaznamovana z križem, pomeni, da je izdelek zaščiten z Direktivo Evropske Skupnosti 2003/96/EC.
- Dobro vam priporočamo, da se informirate glede krajevnega sistema za izborna zbiranje električnih in elektronskih izdelkov.
- Vedno upoštevajte veljavne krajevne predpise in nikoli ne odvajajte stare izdelke skupaj z navadnimi hišnimi odpadki. Nepravilno odvajanje teh izdelkov lahko povzroči hude poškodbe osebam in okolju.

TR - Ürünün bertaraf edilmesi

- Bu ürün, dönüştürülmesi ve yeniden kullanımı mümkün yüksek kaliteli malzeme ve komponentler ile tasarlanmıştır ve üretilmiştir.
- Bir ürüne, x isareti ile isaretilmiş çekerlekli bir bidon sembolü yapılmıştır ise, bu, ürünün 2003/96/EC Avrupa Direktifi uyarınca korunduğu anlamına gelir.
- Elektrik ve elektronik ürünler için ayrılmış toplama mahalli sistemine ilişkin bilgi almanız rica edilir.
- Yürürlükteki mevzuata uyunuz ve eski ürünleri normal ev atıkları ile birlikte bertaraf etmeyiniz. Ürünün doğru bertaraf edilmesi, çevre ve insan sağlığı üzerinde olası olumsuz sonuçların önlenmesine katkıda bulunur.

DESA

DESA ITALIA s.r.l.

via Tione, 12 - 37010 Pastrengo
(Verona) - Italy
www.desaitalia.com
info@desaitalia.com

DESA POLAND Sp. Z.o.o

ul Rolna 8, Sady
62-080 Tarnowo Podgorne, Poland
www.desapoland.pl -
office@desapoland.pl

DESA UK Ltd.

Unit 3 Easter Court Gemini
Business Park Warrington, Cheshire
WA5 7ZB United Kingdom