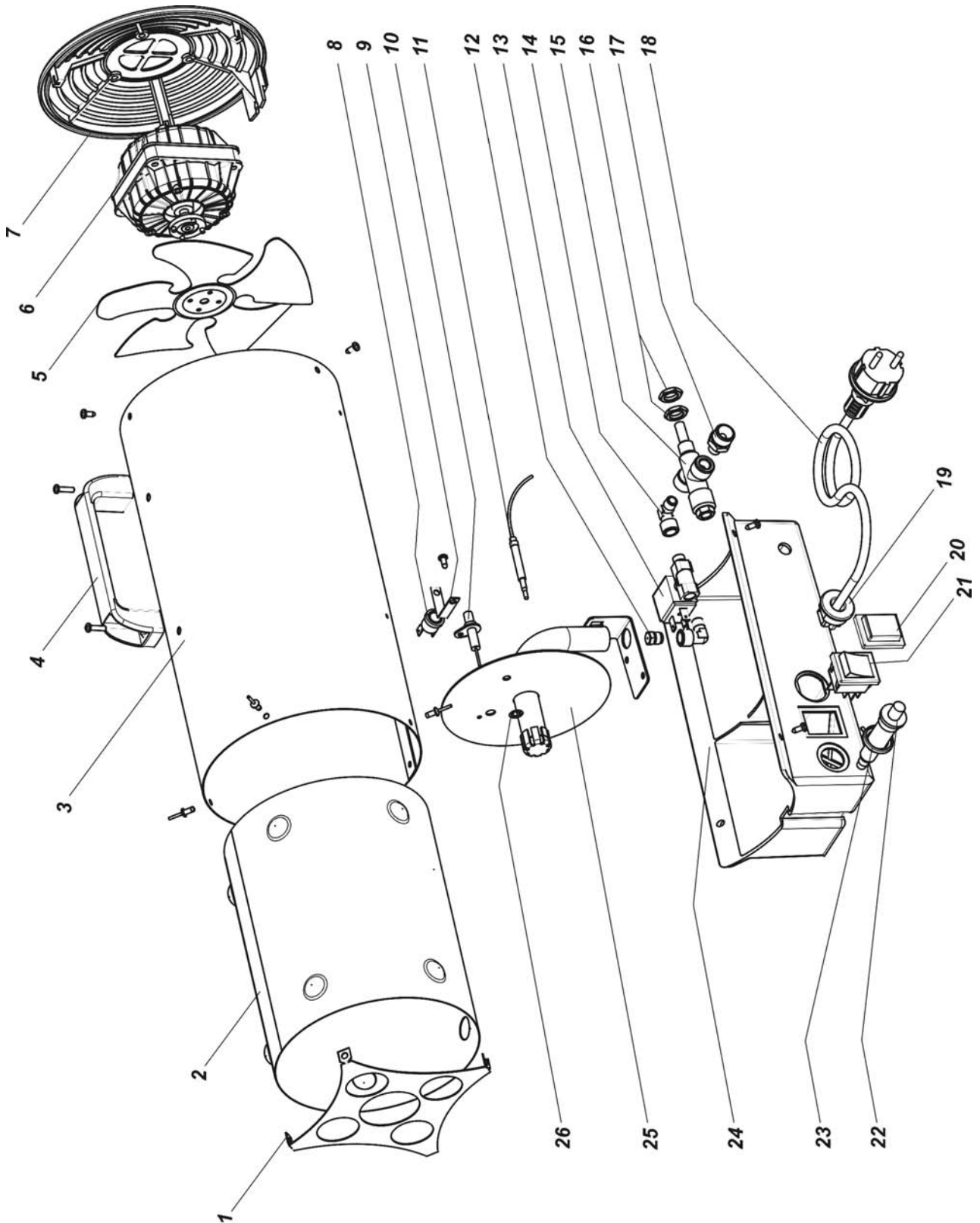


MASTER GAS HEATERS

MODEL 10 kW

ILLUSTRATED PARTS BREAKDOWN



MASTER GAS HEATERS 10 KW

Pos.	Code NR	Description
1	4160.714	OUTLET GRID
2	4161.336	COMBUSTION CHAMBER
3	S/R	COVER
4	4160.715	PLASTIC HANDLE
5	4162.251	FAN ø172 19°
6	4162.243	ELECTRIC MOTOR
7	4160.713	PLASTIC GRID
8	4160.636	SAFETY THERMOSTAT
9	4160.708	SUPPORT FOR THERMOSTAT
10	4160.707	IGNITION ELETTRICAL FOLDER
11	4160.654	INTERRUPTED THERMOCOUPLE
12	4160.746	GAS NOZZLE
13	4160.655	ELECTRO VALVE
14	4160.620	90° DEGREE ELBOW 1/8"
15	4160.653	SAFETY GAS VALVE
16	4160.701	RING NUT M12X0,75
17	4160.700	GAS INLET NOZZLE
18	4160.733	ELECTRIC CABLE
19	4160.635	KEEPER WIRE DEVICE
20	4160.638	COVER SWITCH
21	4160.637	SWITCH
22	4162.222	PIEZO IGNITOR WITH ADAPTER
23	N/A	ADAPTER FOR PIEZO IGNITOR
24	4160.699	PLASTIC BASE
25	4160.702	GAS BURNER
26	4160.627	ELASTIC WASHER

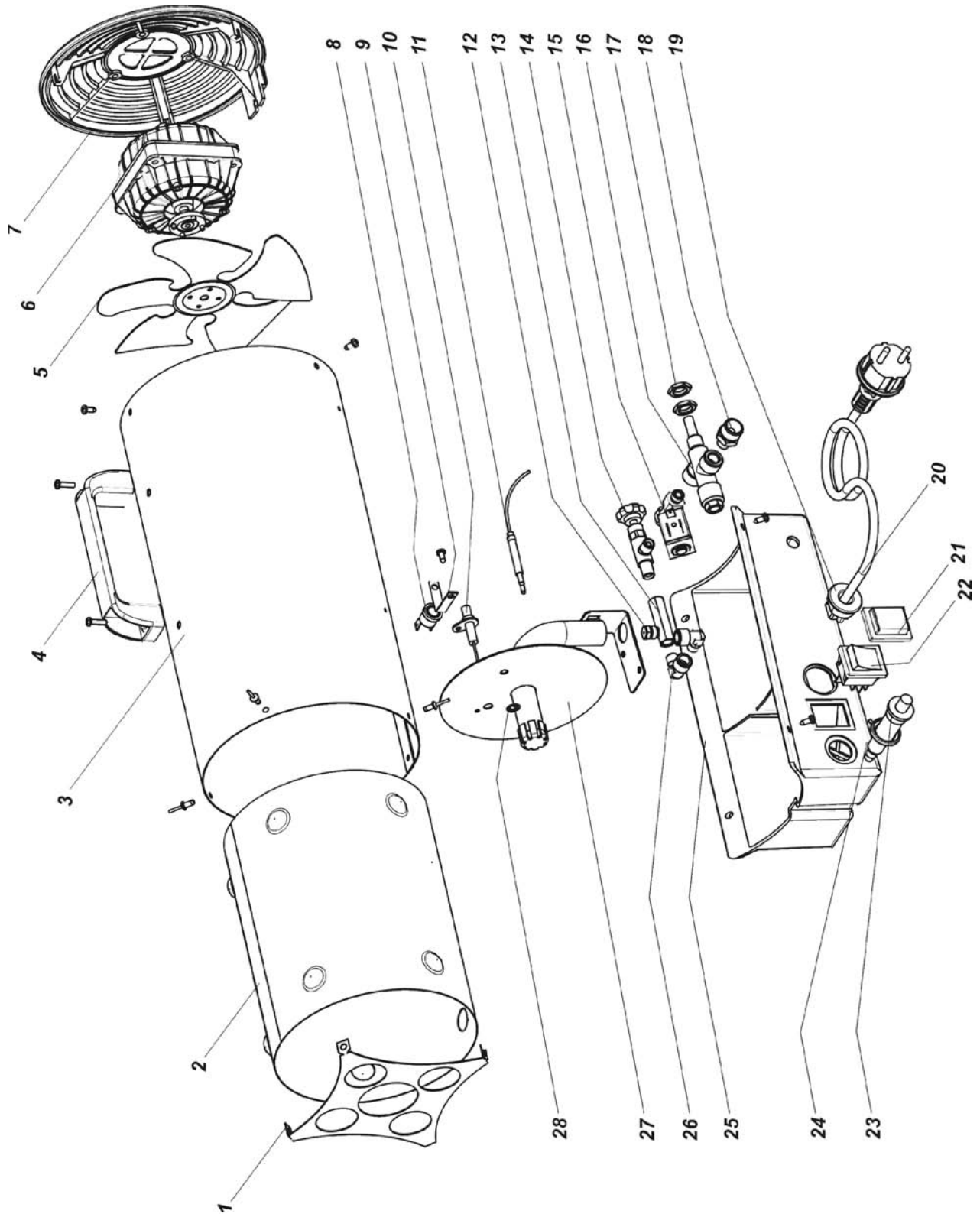
S/R – Parts available by special request only

N/A – Parts not available

MASTER GAS HEATERS

MODEL 15 kW Reg.

ILLUSTRATED PARTS BREAKDOWN



MASTER GAS HEATERS BLP 15M

Pos.	Code NR	Description
1	4160.714	OUTLET GRID
2	4161.372	COMBUSTION CHAMBER
3	S/R	COVER
4	4160.715	PLASTIC HANDLE
5	4162.251	FAN ø172 19°
6	4162.243	ELECTRIC MOTOR
7	4160.713	PLASTIC GRID
8	4160.636	SAFETY THERMOSTAT
9	4160.708	SUPPORT FOR THERMOSTAT
10	4160.707	IGNITION ELETTRICAL FOLDER
11	4160.654	INTERRUPTED THERMOCOUPLE
12	4160.746	GAS NOZZLE
13	4160.742	EXTENSION
14	4160.675	GAS COCK
15	4160.655	ELECTRO VALVE
16	4160.653	SAFETY GAS VALVE
17	4160.701	RING NUT M12X0,75
18	4160.700	GAS INLET NOZZLE
19	4160.635	KEEPER WIRE DEVICE
20	4160.733	ELECTRIC CABLE
21	4160.638	COVER SWITCH
22	4160.637	SWITCH
23	4162.222	PIEZO IGNITOR WITH ADAPTER
24	N/A	ADAPTER FOR PIEZO IGNITOR
25	4160.760	PLASTIC BASE
26	4160.620	90° DEGREE ELBOW 1/8"
27	4160.702	GAS BURNER
28	4160.627	ELASTIC WASHER

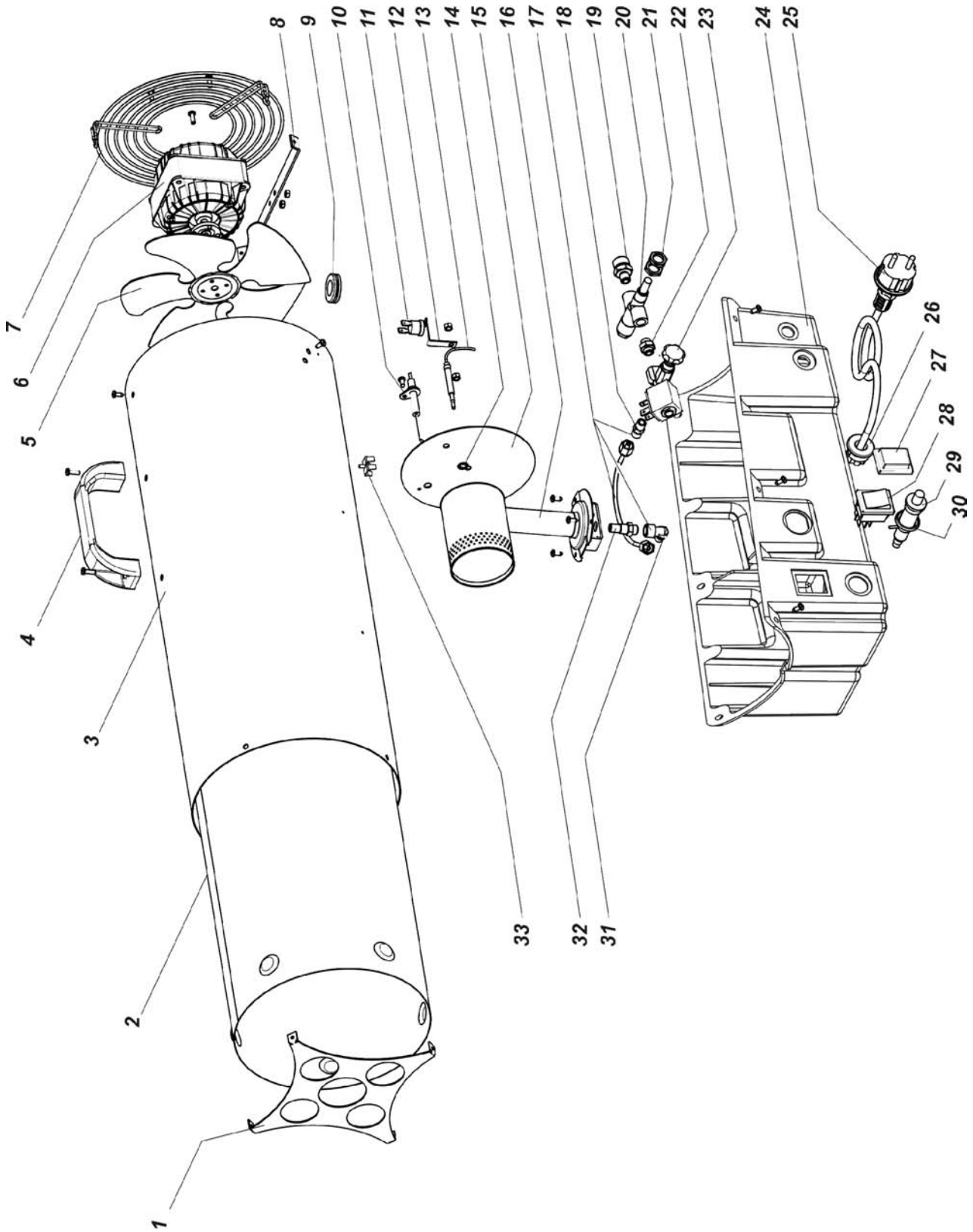
S/R – Parts available by special request only

N/A – Parts not available

MASTER GAS HEATERS

MODEL 30 kW PB

ILLUSTRATED PARTS BREAKDOWN



FÍ G

MASTER GAS HEATERS BLP 30M PLASTIC BASE

Pos.	Code NR	Description
1	4160.764	OUTLET GRID
2	4161.373	COMBUSTION CHAMBER
3	S/R	COVER
4	4160.715	PLASTIC HANDLE
5	4161.175	FAN ø200 19°
6	4162.244	ELECTRIC MOTOR
7	4161.863	PLASTIC INLET GRID
	4160.784	INLET GRID GALVANIZED
8	4161.010	SUPPORT ELECTRIC MOTOR
9	4160.646	GROMMET
10	4160.731	IGNITION ELETTRICAL FOLDER
11	4160.636	SAFETY THERMOSTAT
12	4160.708	SUPPORT FOR THERMOSTAT
13	4160.654	INTERRUPTED THERMOCOUPLE
14	4160.627	ELASTIC WASHER
15	4160.726	PLATE BURNER
16	4160.687	GAS BURNER
17	4160.724	COPPER EXTENDIN VALVOLE-NOZZLE
18	4160.623	NOZZLE 1/8"
19	4160.700	GAS INLET NOZZLE
20	4160.653	SAFETY GAS VALVE
21	4160.701	RING NUT M12X0,75
22	4160.968	NOZZLE 1/8"
23	4160.660	GAS COCK WITH ELECTRO-VALVE
24	4160.721	PLASTIC BASE
25	4160.733	PLASTIC BASE
26	4160.635	KEEPER WIRE DEVICE
27	4160.638	COVER SWITCH
28	4160.637	SWITCH
29	4162.222	PIEZO IGNITOR WITH ADAPTER
30	N/A	ADAPTER FOR PIEZO IGNITOR
31	4160.621	90° DEGREE ELBOW 1/8"
32	4160.722	GAS NOZZLE ø1,15
33	4160.639	RIVET POP

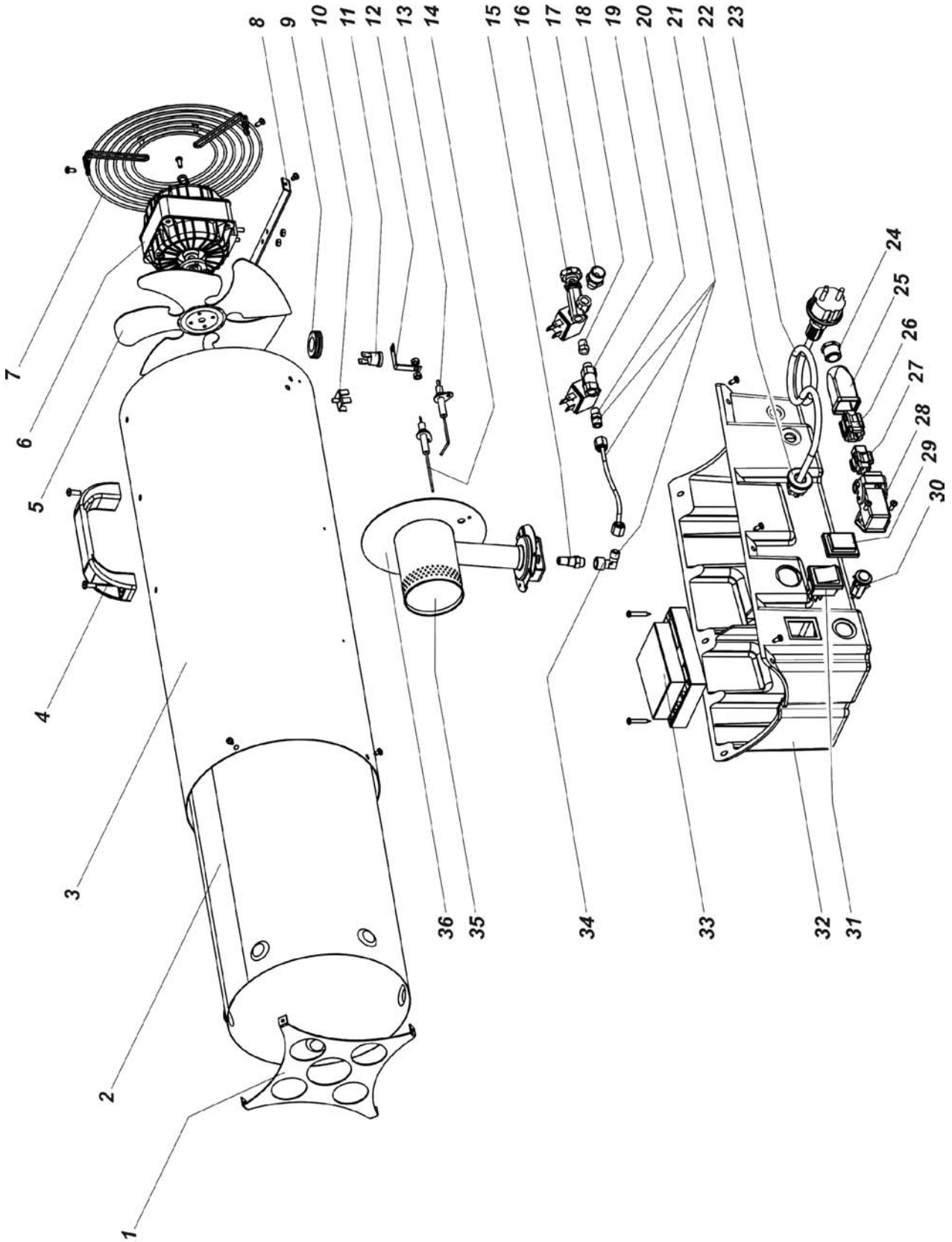
S/R – Parts available by special request only

N/A – Parts not available

MASTER GAS HEATERS

MODEL 30 kW E PB

ILLUSTRATED PARTS BREAKDOWN

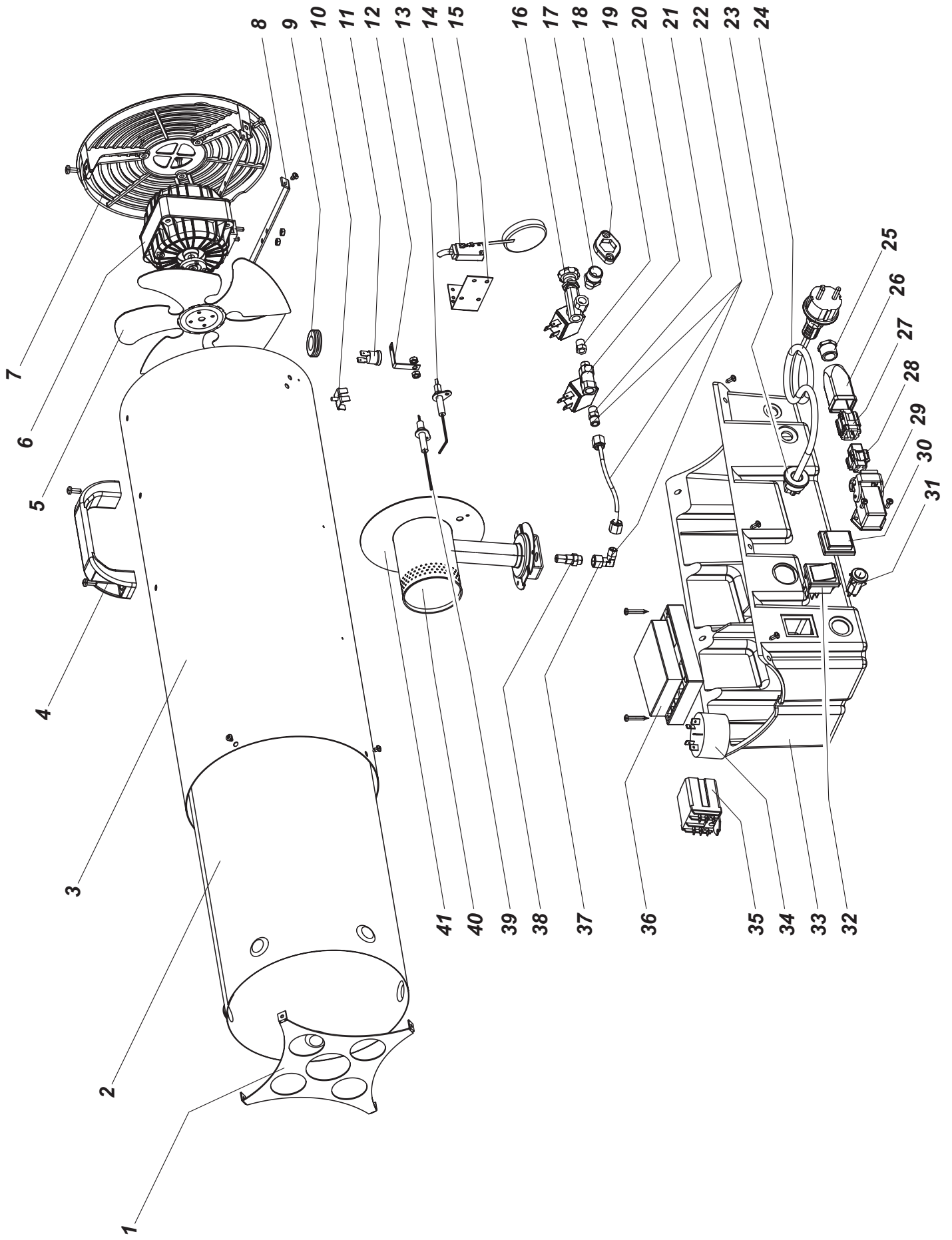


MASTER GAS HEATERS BLP 30E PLASTIC BASE

Pos.	Code NR	Description
1	4160.764	OUTLET GRID
2	4161.373	COMBUSTION CHAMBER
3	S/R	COVER
4	4160.715	PLASTIC HANDLE
5	4161.175	FAN ø200 19°
6	4162.244	ELECTRIC MOTOR
7	4161.863	PLASTIC INLET GRID
	4160.784	INLET GRID GALVANIZED
8	4161.010	SUPPORT ELECTRIC MOTOR
9	4160.646	GROMMET
10	4160.639	RIVET POP
11	4160.636	SAFETY THERMOSTAT
12	4160.708	SUPPORT FOR THERMOSTAT
13	4161.248	IGNITION ELETTRICAL FOLDER
14	4160.632	FLAME PROBE
15	4160.722	GAS NOZZLE ø1,15
16	4160.660	GAS COCK WITH ELECTRO-VALVE
17	4160.700	GAS INLET NOZZLE
18	4161.501	NIPPLE 1/8"
19	4160.655	ELECTROVALVE
20	4160.623	NOZZLE 1/8"
21	4160.724	COPPER EXTENDIN VALVE-NOZZLE
22	4160.635	KEEPER WIRE DEVICE
23	4160.733	ELECTRIC CABLE
24	4160.651	KEEPER WIRE DEVICE
25	4160.648	COMPLETE PLUG IN
	4160.650	CONNEXION PLUG 5 PIN
26	4161.401	CONNEXION PLUG 4 PIN
	4160.649	CONNEXION SOCKET 5 PIN
27	4161.400	CONNEXION SOCKET 4 PIN
28	4160.647	ANGULAR FIX CASE
29	4160.638	COVER SWITCH
30	4161.058	LIGHT SWITCH
31	4161.057	SWITCH
32	4161.281	BASE
33	4161.004	ELECTRONIC PC BOARD
34	4160.621	90° DEGREE ELBOW 1/8"
35	4160.687	GAS BURNER
36	4160.752	PLATE BURNER

S/R – Parts available by special request only

N/A – Parts not available



MASTER GAS HEATERS BLP 30E PLASTIC BASE 2005 EDITION

Pos.	Code NR	Description
1	4160.764	OUTLET GRID
2	4161.373	COMBUSTION CHAMBER
3	S/R	COVER
4	4160.715	PLASTIC HANDLE
5	4160.690	FAN Ø200 19°
6	4160.629	ELECTRIC MOTOR
7	4160.784	INLET GRID GALVANIZED
	4161.863	INLET GRID PLASTIC
8	4161.010	SUPPORT ELECTRIC MOTOR
9	4160.646	GROMMET 16-30-22
10	4160.639	RIVET POP
11	4162.343	SAFETY THERMOSTAT 90°
12	4162.362	SUPPORT FOR THERMOSTAT
13	4161.248	IGNITION ELECTRICAL FOLDER
14	4162.340	MICRO SWITCH
15	4162.341	SUPPORT FOR SWITCH
16	4160.660	GAS COCK WITH ELECTRO-VALVE
17	4160.700	GAS INLET NOZZLE 3/8 M - 1/8 M
18	4161.854	BLOCK FOR NOZZLE
19	4161.501	NIPPLE 1/8"M.F.
20	4160.655	ELECTROVALVE
21	4160.623	NOZZLE 1/8"
22	4160.724	COPPER EXTENDING VALVE-NOZZLE
23	4160.635	KEEPER WIRE DEVICE PA 107
24	4160.733	ELECTRIC CABLE
25	4160.651	KEEPER WIRE DEVICE
26	4160.648	PLUG IN
27	4161.401	CONNEXION PLUG 4 PIN
28	4161.400	CONNEXION SOCKET 4 PIN
29	4160.647	ANGULAR FIX CASE
30	4160.638	COVER SWITCH
31	4161.058	LIGHT SWITCH
32	4161.057	SWITCH
33	4161.281	PLASTIC BASE
34	4162.187	ANTI-JAMMING FILTER
35	4162.361	RELAY
36	4161.004	ELECTRONIC PC BOARD
37	4160.621	90° DEGREE ELBOW 1/8"
38	4160.722	GAS NOZZLE Ø1,15
39	4160.632	FLAME PROBE
40	4160.687	GAS BURNER
41	4160.752	PLATE BURNER

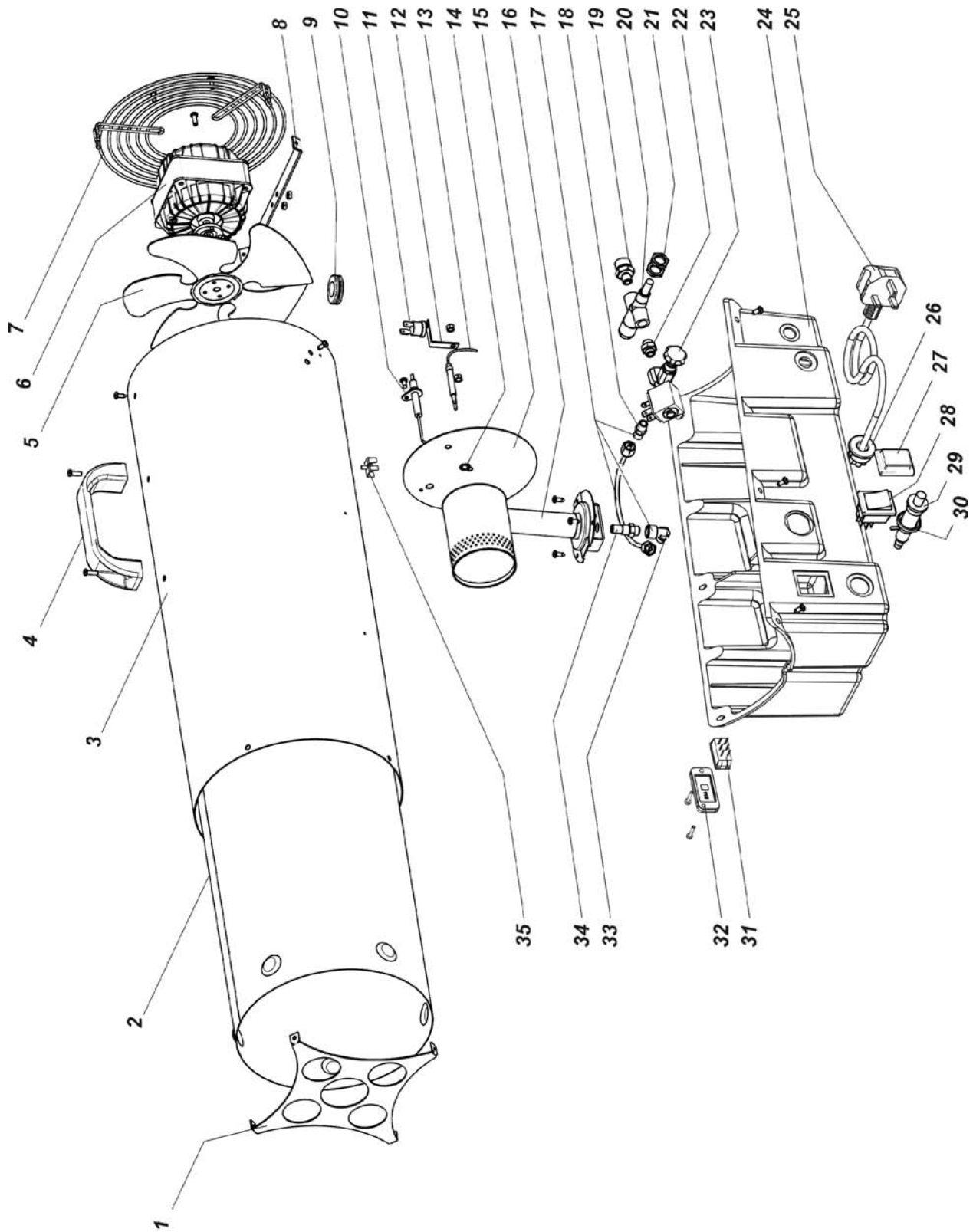
S/R – Parts available by special request only

N/A – Parts not available

MASTER GAS HEATERS

MODEL 30 kW D.V. PB

ILLUSTRATED PARTS BREAKDOWN



MASTER GAS HEATERS BLP 30M PLASTIC BASE DUAL VOLTAGE

Pos.	Code NR	Description
1	4160.764	OUTLET GRID
2	4161.373	COMBUSTION CHAMBER
3	S/R	COVER
4	4160.715	PLASTIC HANDLE
5	4160.690	FAN Ø200 19°
6	4161.165	ELECTRIC MOTOR 80 W 230-240/50HZ IP44
7	4160.784	INLET GRID GALVANIZED
	4161.863	INLET GRID PLASTIC
8	4161.010	SUPPORT ELECTRIC MOTOR
9	4160.646	GROMMET 16-30-22
10	4160.731	IGNITION ELETTRICAL FOLDER
11	4160.636	SAFETY THERMOSTAT90°
12	4160.708	SUPPORT FOR THERMOSTAT
13	4160.654	INTERRUPTED THERMOCOUPLE
14	4160.627	ELASTIC WASHER
15	4160.726	PLATE BURNER
16	4160.687	GAS BURNER
17	4160.724	COPPER EXTENDIN VALVOLE-NOZZLE
18	4160.623	NOZZLE 1/8"
19	4160.700	GAS INLET NOZZLE 3/8 M - 1/8 M
20	4160.653	SAFETY GAS VALVE
21	4160.701	RING NUT M12X0,75
22	4160.968	NOZZLE 1/8"
23	4161.267	GAS COCK WITH ELECTRO-VALVE
24	4161.282	PLASTIC BASE
25	4160.743	ELECTRIC CABLE
26	4160.635	KEEPER WIRE DEVICE PA 107
27	4160.638	COVER SWITCH
28	4160.637	SWITCH
29	4162.222	PIEZO IGNITOR WITH ADAPTER
30	N/A	ADAPTER FOR PIEZO IGNITOR
31	4161.292	SWITCH DUAL VOLTAGE
32	4161.284	COVER SWITCH DUAL VOLTAGE
33	4160.621	90° DEGREE ELBOW 1/8"
34	4160.722	GAS NOZZLE Ø1,15
35	4160.639	RIVET POP

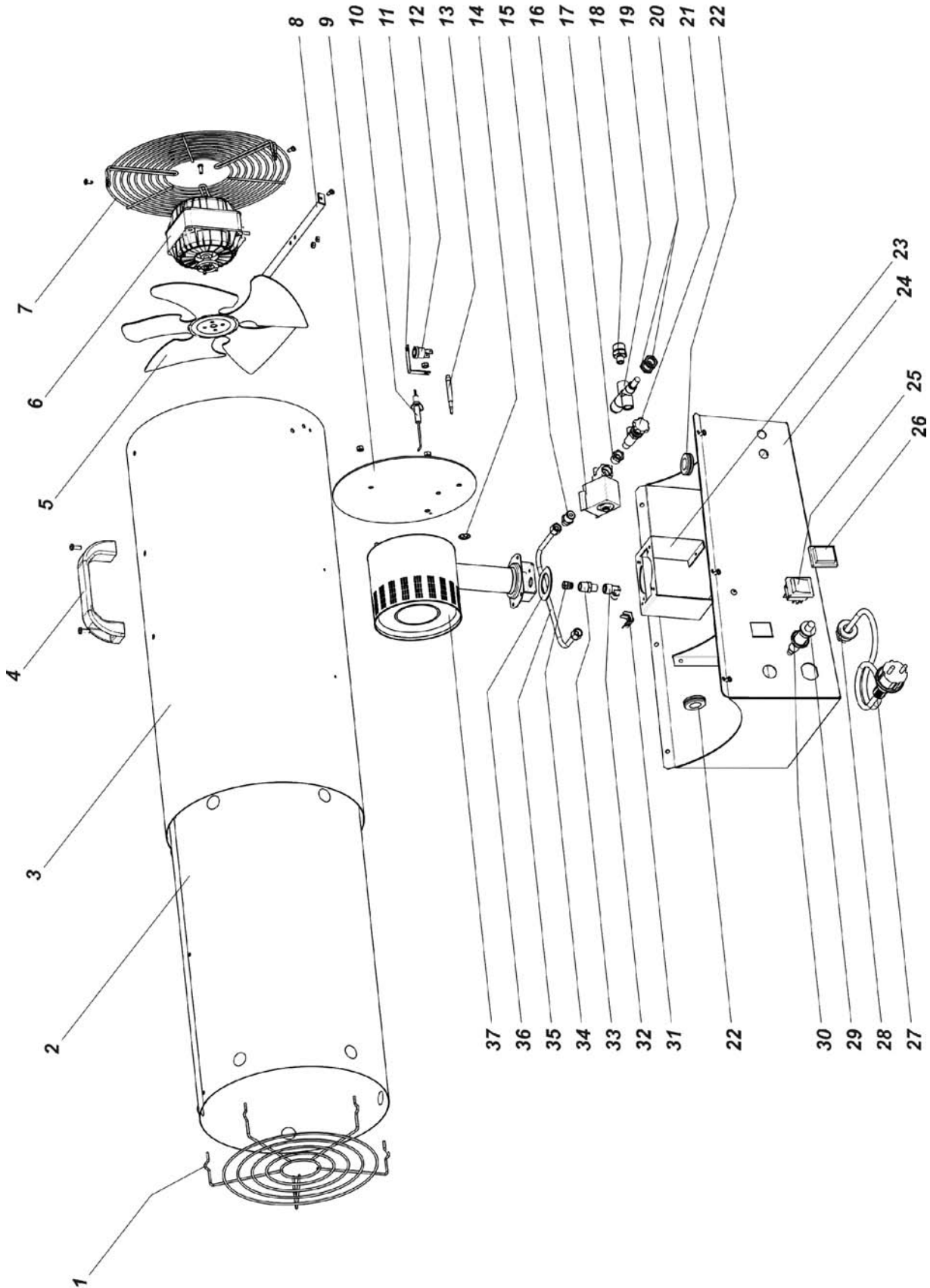
S/R – Parts available by special request only

N/A – Parts not available

MASTER GAS HEATERS

MODEL 50 kW

ILLUSTRATED PARTS BREAKDOWN



MASTER GAS HEATERS BLP 50M

Pos.	Code NR	Description
1	4160.740	OUTLET GRID
2	4161.083	COMBUSTION CHAMBER
3	S/R	COVER
4	4160.715	PLASTIC HANDLE
5	4160.691	FAN
6	4160.630	ELECTRIC MOTOR
7	4160.739	INLET GRID
8	4161.013	SUPPORT ELECTRIC MOTOR
9	4160.744	PLATE BURNER
10	4160.731	IGNITION ELETTRICAL FOLDER
11	4160.708	SUPPORT FOR THERMOSTAT
12	4160.636	SAFETY THERMOSTAT 90°
13	4160.953	INTERRUPTED THERMOCOUPLE
14	4160.627	ELASTIC WASHER
15	4160.962	NOZZLE 1/4" - 1/8"
16	4160.963	ELECTROVALVE
17	4160.964	NIPPLES REDUCER
18	4160.700	GAS INLET NOZZLE 3/8 M - 1/8 M
19	4160.688	SAFETY GAS VALVE
20	4160.701	RING NUT M12X0,75
21	4160.683	GAS COCK
22	4160.646	GROMMET 16-30-22
23	4161.018	SUPPORT BURNER
24	4161.015	BASE
25	4160.637	SWITCH
26	4160.638	COVER SWITCH
27	4160.631	ELECTRIC CABLE
28	4160.635	KEEPER WIRE DEVICE PA 107
29	4162.222	PIEZO IGNITOR WITH ADAPTER
30	N/A	ADAPTER FOR PIEZO IGNITOR
31	4160.639	RIVET POP
32	4160.967	90° DEGREE ELBOW 1/8"
33	4160.768	SUPPORT GAS NOZZLE
34	4160.766	GAS NOZZLE
35	4161.019	COPPER EXTENDIN VALVOLE-NOZZLE
36	4160.769	NECK PLATE
37	4160.676	GAS BURNER

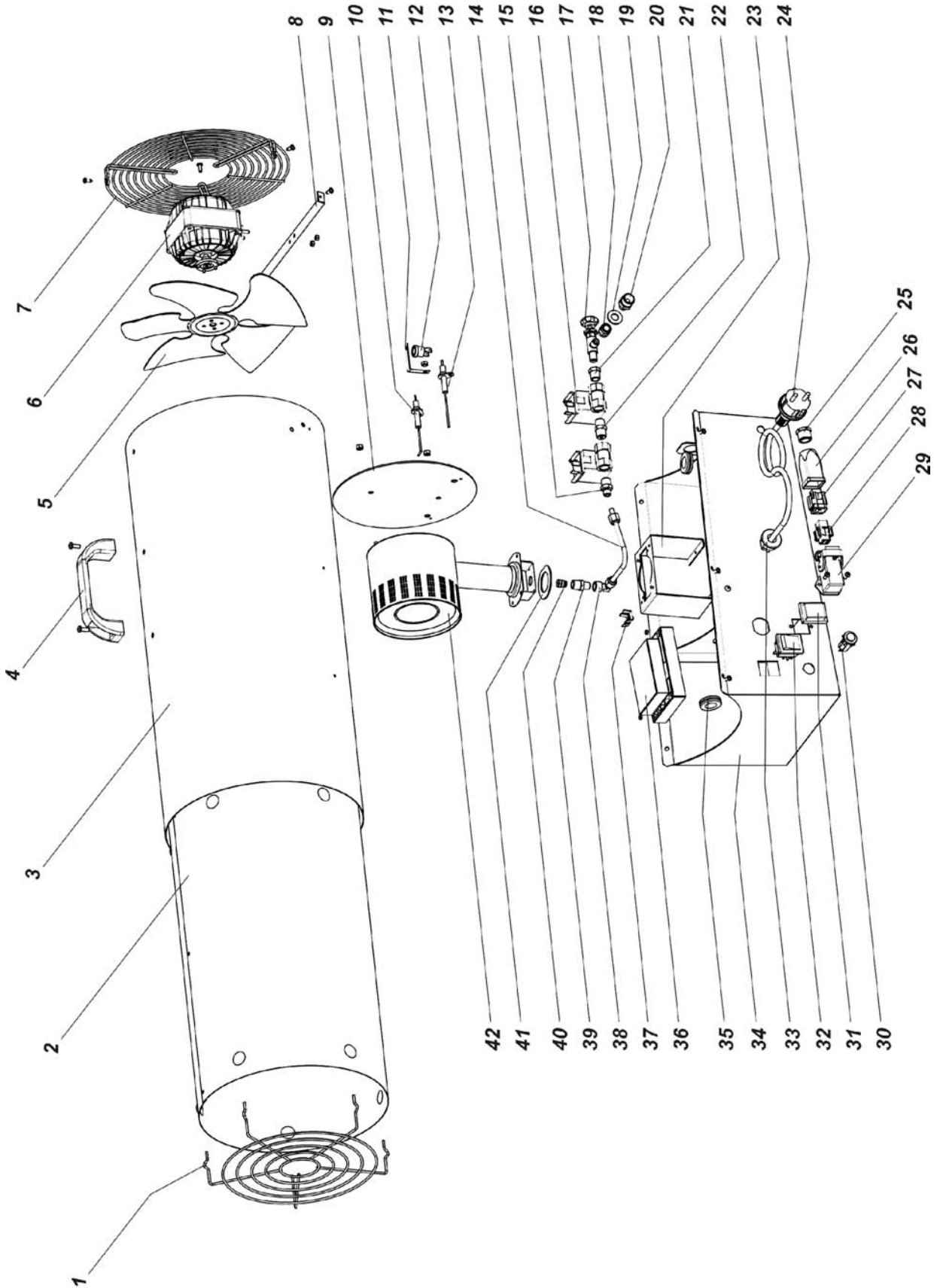
S/R – Parts available by special request only

N/A – Parts not available

MASTER GAS HEATERS

MODEL 50 kW E

ILLUSTRATED PARTS BREAKDOWN



FIG

MASTER GAS HEATERS BLP 50E

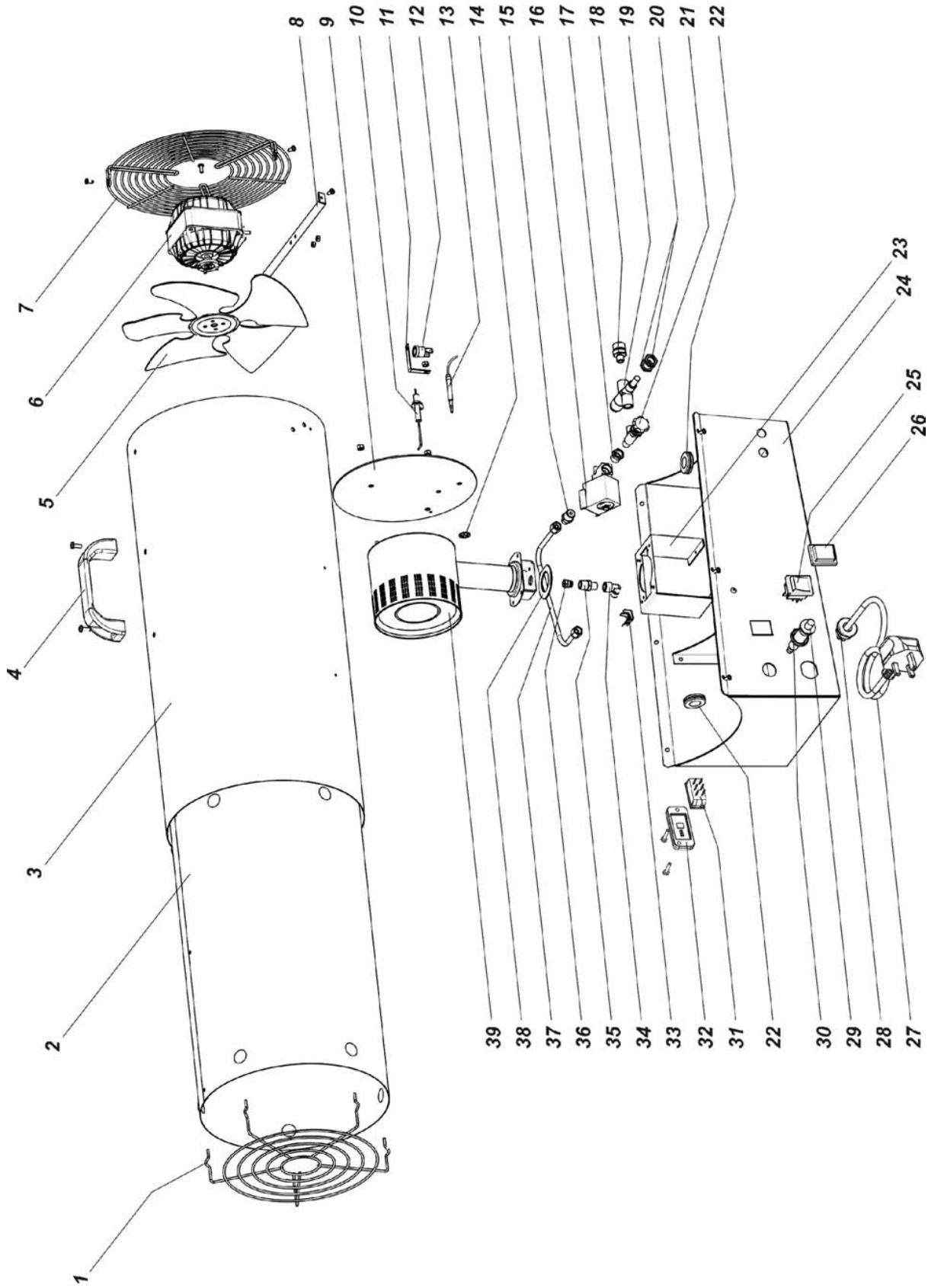
Pos.	Code NR	Description
1	4160.740	OUTLET GRID
2	4161.083	COMBUSTION CHAMBER
3	S/R	COVER
4	4160.715	PLASTIC HANDLE
5	4160.691	FAN
6	4160.630	ELECTRIC MOTOR
7	4160.739	INLET GRID
8	4161.013	SUPPORT ELECTRIC MOTOR
9	4161.041	PLATE BURNER
10	4161.248	IGNITION ELETTRICAL FOLDER
11	4160.708	SUPPORT FOR THERMOSTAT
12	4160.636	SAFETY THERMOSTAT 90°
13	4160.632	FLAME PROBE
14	4161.039	COPPER EXTENDIN VALVOLE-NOZZLE
15	4160.962	NOZZLE 1/4" - 1/8"
16	4160.963	ELECTROVALVE
17	4160.683	GAS COCK
18	4161.094	VERBINDUNGSMUFFE
19	4160.614	PLAIN WASHER M10
20	4160.700	GAS INLET NOZZLE 3/8 M - 1/8 M
21	4160.964	NIPPLES REDUCER
22	4161.095	NOZZLE 1/4"
23	4161.018	SUPPORT BURNER
24	4160.631	ELECTRIC CABLE
25	4160.651	KEEPER WIRE DEVICE PG11
26	4160.648	COMPLETE PLUG IN
27	4160.650	CONNEXION PLUG 5 PIN
27	4161.401	CONNEXION PLUG 4 PIN
28	4160.649	CONNEXION SOCKET 5 PIN
28	4161.400	CONNEXION SOCKET 4 PIN
29	4160.647	ANGULAR FIX CASE
30	4161.058	LIGHT SWITCH
31	4160.638	COVER SWITCH
32	4161.057	SWITCH
33	4160.635	KEEPER WIRE DEVICE PA 107
34	4161.092	BASE
35	4160.646	GROMMET 16-30-22
36	4161.004	ELECTRONIC PC BOARD
37	4160.639	RIVET POP
38	4160.967	90° DEGREE ELBOW 1/8"
39	4160.768	SUPPORT GAS NOZZLE
40	4160.766	GAS NOZZLE
41	4160.769	NECK PLATE
42	4160.676	GAS BURNER

S/R – Parts available by special request only

MASTER GAS HEATERS

MODEL 50 kW D.V.

ILLUSTRATED PARTS BREAKDOWN



MASTER GAS HEATERS BLP 50M DUAL VOLTAGE

Pos.	Code NR	Description
1	4160.740	OUTLET GRID
2	4161.083	COMBUSTION CHAMBER
3	S/R	COVER
4	4160.715	PLASTIC HANDLE
5	4160.691	FAN
6	4161.166	ELECTRIC MOTOR
7	4160.739	INLET GRID
8	4161.013	SUPPORT ELECTRIC MOTOR
9	4160.744	PLATE BURNER
10	4160.731	IGNITION ELETTRICAL FOLDER
11	4160.708	SUPPORT FOR THERMOSTAT
12	4160.636	SAFETY THERMOSTAT 90°
13	4160.953	INTERRUPTED THERMOCOUPLE
14	4160.627	ELASTIC WASHER
15	4160.962	NOZZLE 1/4" - 1/8"
16	4161.268	ELECTROVALVE
17	4160.964	NIPPLES REDUCER
18	4160.700	GAS INLET NOZZLE 3/8 M - 1/8 M
19	4160.688	SAFETY GAS VALVE
20	4160.701	RING NUT M12X0,75
21	4160.683	GAS COCK
22	4160.646	GROMMET 16-30-22
23	4161.018	SUPPORT BURNER
24	4161.472	BASE
25	4160.637	SWITCH
26	4160.638	COVER SWITCH
27	4161.471	ELECTRIC CABLE
28	4160.635	KEEPER WIRE DEVICE PA 107
29	4162.222	PIEZO IGNITOR WITH ADAPTER
30	N/A	ADAPTER FOR PIEZO IGNITOR
31	4161.292	SWITCH DUAL VOLTAGE
32	4161.284	COVER SWITCH DUAL VOLTAGE
33	4160.639	RIVET POP
34	4160.967	90° DEGREE ELBOW 1/8"
35	4160.768	SUPPORT GAS NOZZLE
36	4160.766	GAS NOZZLE
37	4161.019	COPPER EXTENDIN VALVOLE-NOZZLE
38	4160.769	NECK PLATE
39	4160.676	GAS BURNER

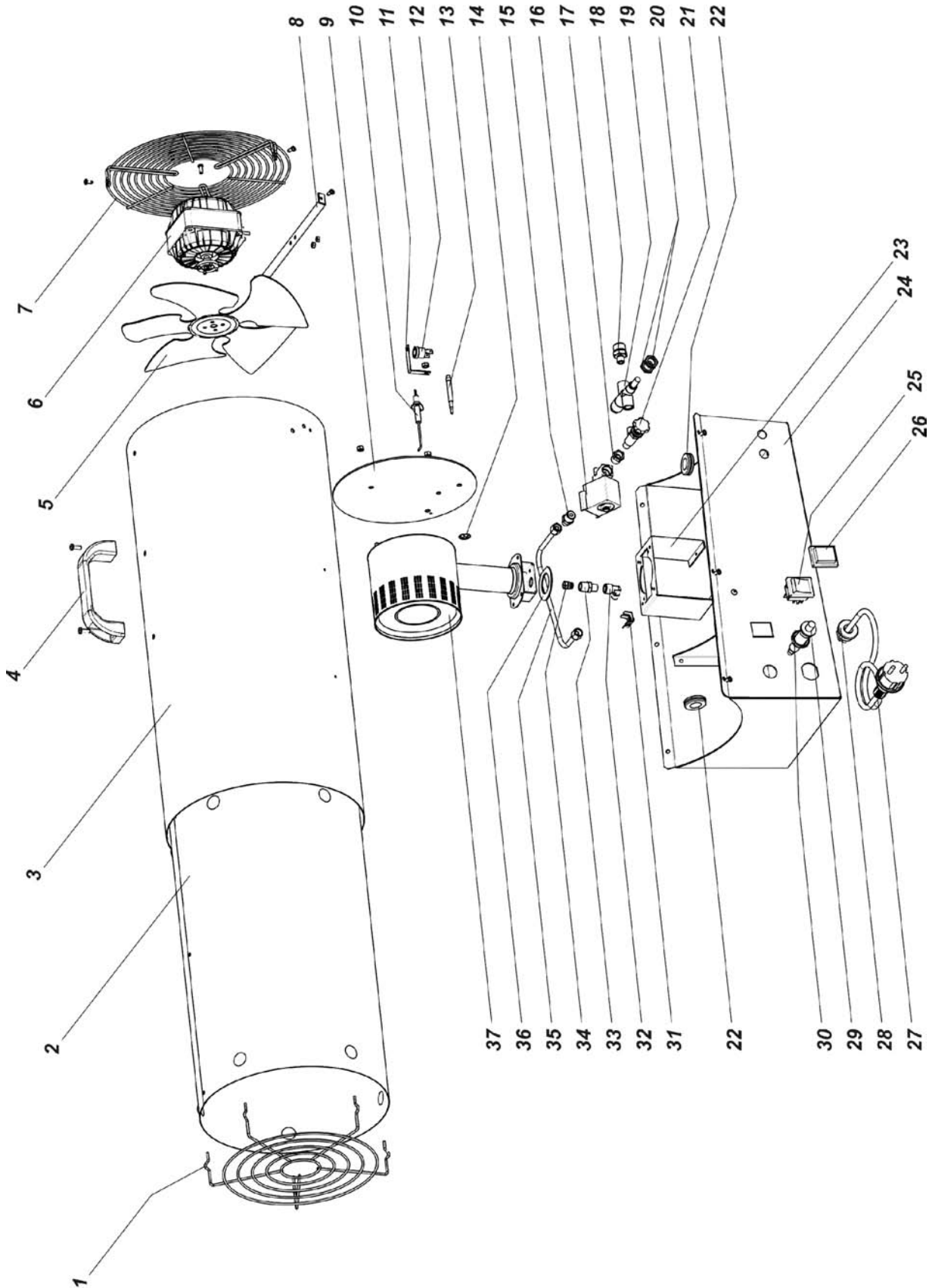
S/R – Parts available by special request only

N/A – Parts not available

MASTER GAS HEATERS

MODEL 70 kW

ILLUSTRATED PARTS BREAKDOWN



MASTER GAS HEATERS BLP 70M

Pos.	Code NR	Description
1	4160.759	OUTLET GRID
2	4160.957	COMBUSTION CHAMBER
3	S/R	COVER
4	4160.715	PLASTIC HANDLE
5	4160.959	FAN
6	4160.958	ELECTRIC MOTOR
7	4160.758	INLET GRID
8	4161.012	SUPPORT ELECTRIC MOTOR
9	4160.744	PLATE BURNER
10	4160.731	IGNITION ELETTRICAL FOLDER
11	4160.708	SUPPORT FOR THERMOSTAT
12	4160.636	SAFETY THERMOSTAT 90°
13	4160.953	INTERRUPTED THERMOCOUPLE
14	4160.627	ELASTIC WASHER
15	4160.962	NOZZLE 1/4" - 1/8"
16	4160.963	ELECTROVALVE
17	4160.964	NIPPLES REDUCER
18	4160.700	GAS INLET NOZZLE 3/8 M - 1/8 M
19	4160.688	SAFETY GAS VALVE
20	4160.701	RING NUT M12X0,75
21	4160.684	GAS COCK
22	4160.646	GROMMET 16-30-22
23	4160.951	SUPPORT BURNER
24	4160.950	BASE
25	4160.637	SWITCH
26	4160.638	COVER SWITCH
27	4160.631	ELECTRIC CABLE
28	4160.635	KEEPER WIRE DEVICE PA 107
29	4162.222	PIEZO IGNITOR WITH ADAPTER
30	N/A	ADAPTER FOR PIEZO IGNITOR
31	4160.639	RIVET POP
32	4160.967	90° DEGREE ELBOW 1/8"
33	4160.768	SUPPORT GAS NOZZLE
34	4160.770	GAS NOZZLE
35	4160.767	COPPER EXTENDIN VALVOLE-NOZZLE
37	4160.676	GAS BURNER

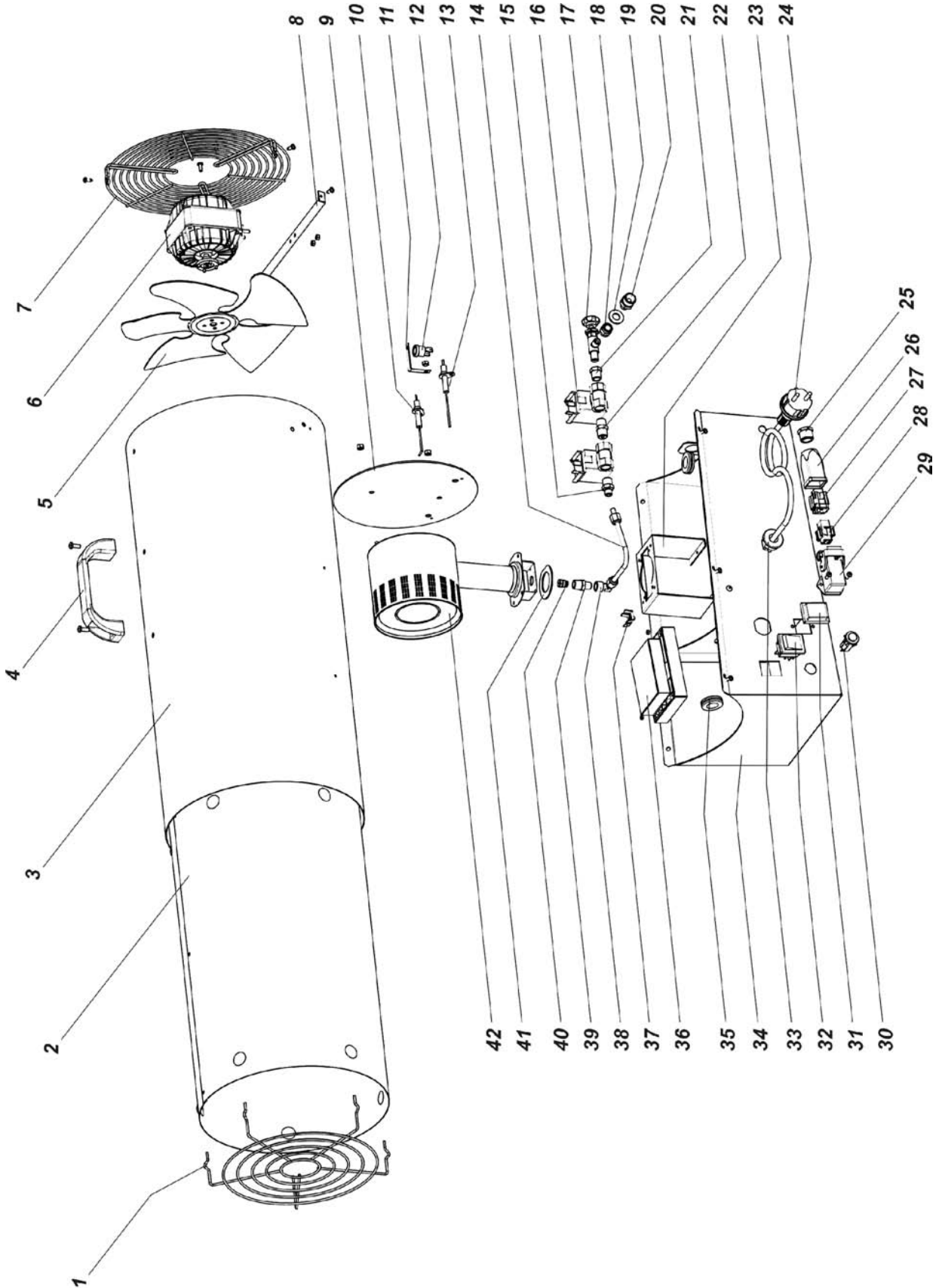
S/R – Parts available by special request only

N/A – Parts not available

MASTER GAS HEATERS

MODEL 70 kW E

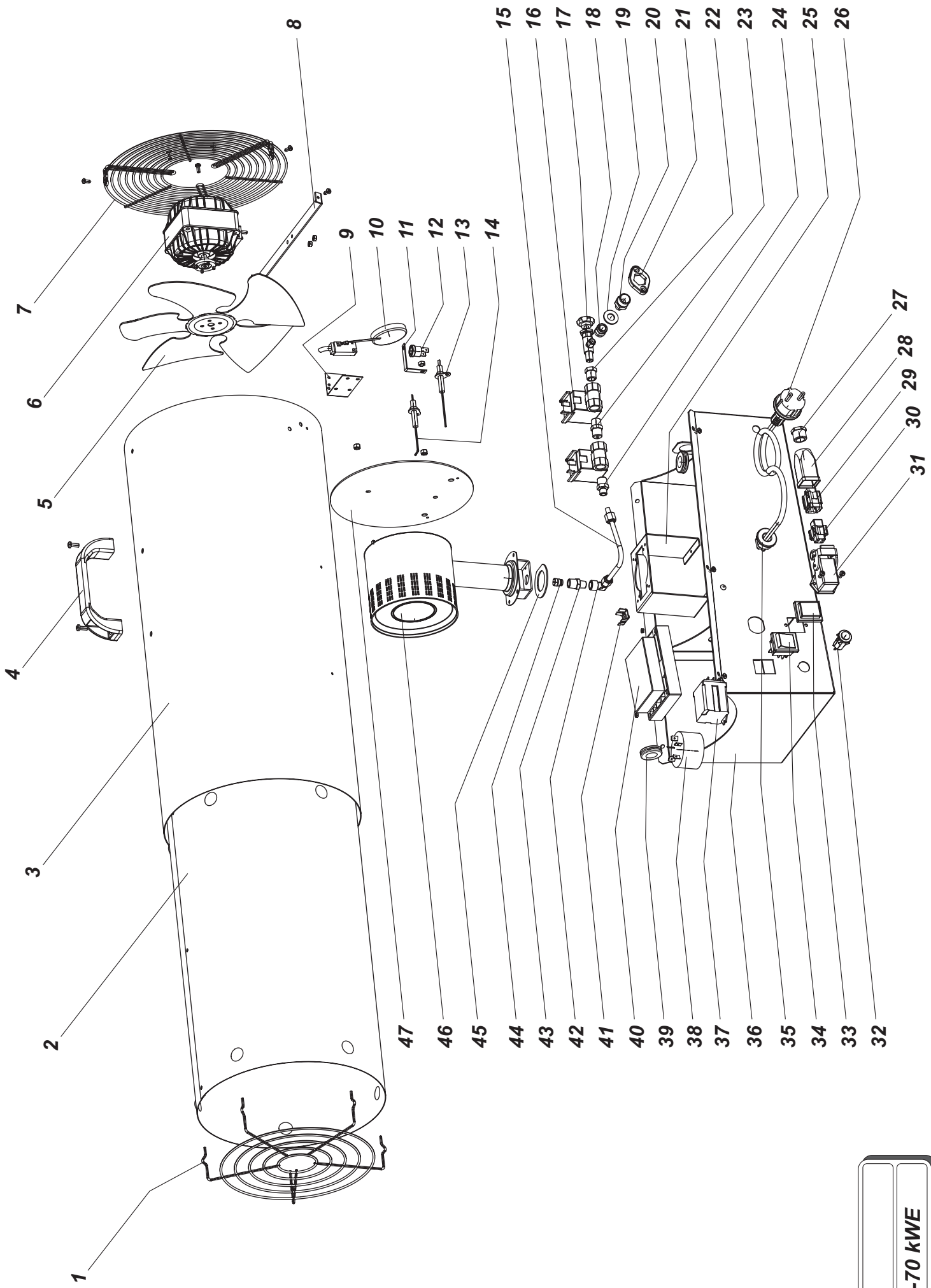
ILLUSTRATED PARTS BREAKDOWN



MASTER GAS HEATERS BLP 70E

Pos.	Code NR	Description
1	4160.759	OUTLET GRID
2	4160.957	COMBUSTION CHAMBER
3	S/R	COVER
4	4160.715	PLASTIC HANDLE
5	4160.959	FAN
6	4160.958	ELECTRIC MOTOR
7	4160.758	INLET GRID
8	4161.012	SUPPORT ELECTRIC MOTOR
9	4161.041	PLATE BURNER
10	4161.248	IGNITION ELETTRICAL FOLDER
11	4160.708	SUPPORT FOR THERMOSTAT
12	4160.636	SAFETY THERMOSTAT 90°
13	4160.632	FLAME PROBE
14	4161.039	COPPER EXTENDIN VALVOLE-NOZZLE
15	4160.962	NOZZLE 1/4" - 1/8"
16	4160.963	ELECTROVALVE
17	4160.684	GAS COCK
18	4161.094	VERBINDUNGSMUFFE
19	4160.614	PLAIN WASHER M10
20	4160.700	GAS INLET NOZZLE 3/8 M - 1/8 M
21	4160.964	NIPPLES REDUCER
22	4161.095	NOZZLE 1/4"
23	4160.951	SUPPORT BURNER
24	4160.631	ELECTRIC CABLE
25	4160.651	KEEPER WIRE DEVICE PG11
26	4160.648	COMPLETE PLUG IN
27	4160.650	CONNEXION PLUG 5 PIN
27	4161.401	CONNEXION PLUG 4 PIN
28	4160.649	CONNEXION SOCKET 5 PIN
28	4161.400	CONNEXION SOCKET 4 PIN
29	4160.647	ANGULAR FIX CASE
30	4161.058	LIGHT SWITCH
31	4160.638	COVER SWITCH
32	4161.057	SWITCH
33	4160.635	KEEPER WIRE DEVICE
34	4161.086	BASE
35	4160.646	PASSACAVO 16-30-22 GROMMET
36	4161.004	ELECTRONIC PC BOARD
37	4160.639	RIVET POP
38	4160.967	90° DEGREE ELBOW 1/8"
39	4160.768	SUPPORT GAS NOZZLE
40	4160.770	GAS NOZZLE
42	4160.676	GAS BURNER

S/R – Parts available by special request only



MASTER GAS HEATERS BLP 50E / BLP 70E 2005 EDITION

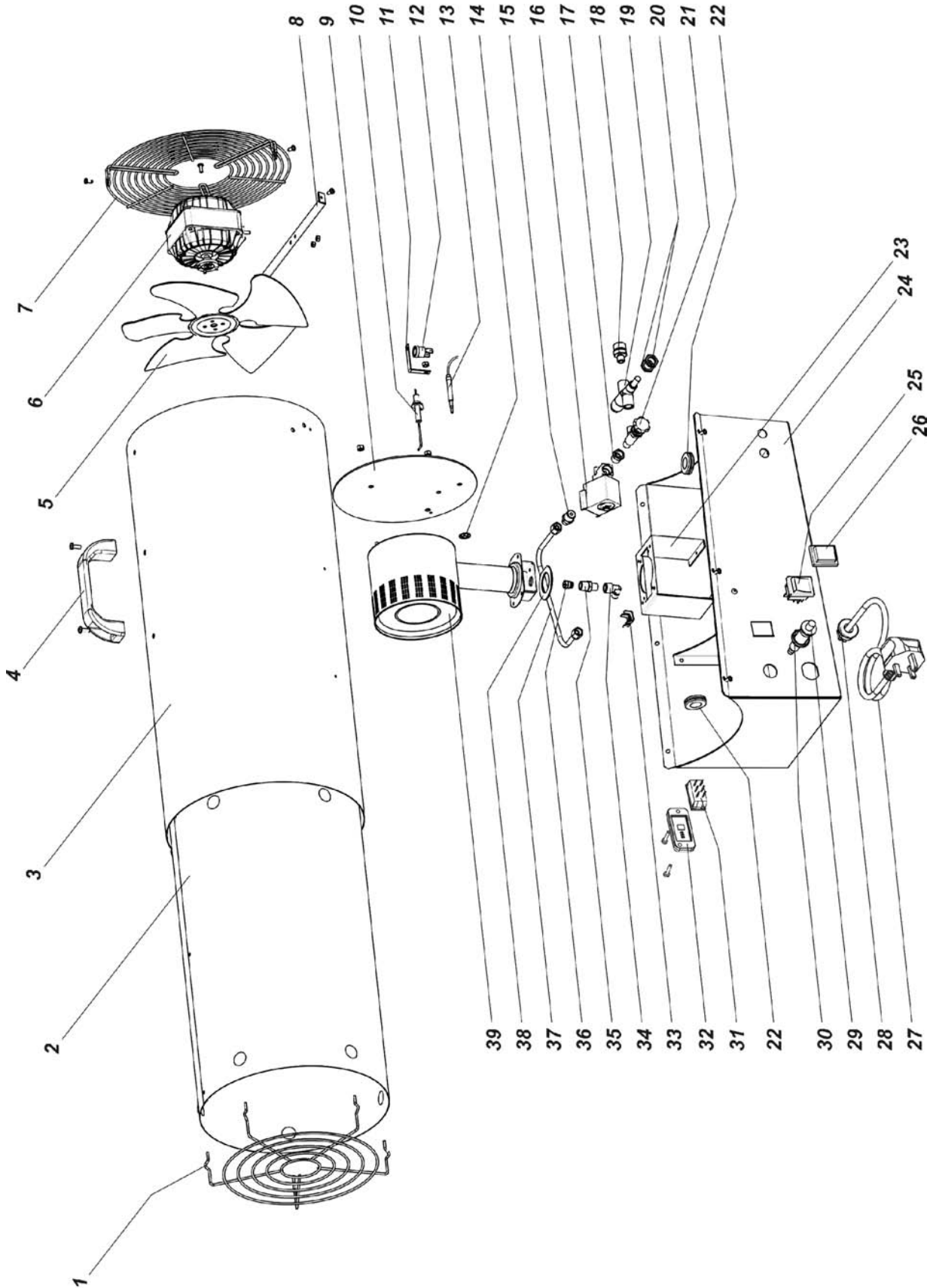
Pos.	50 E	70 E	Description
1	4160.740	4160.759	OUTLET GRID
2	4161.083	4160.957	COMBUSTION CHAMBER
3	S/R	S/R	COVER
4	4160.715	4160.715	PLASTIC HANDLE
5	4160.691	4160.959	FAN
6	4160.630	4160.958	ELECTRIC MOTOR
7	4160.739	4160.758	INLET GRID
8	4161.013	4161.012	SUPPORT ELECTRIC MOTOR
9	4162.341	4162.341	SUPPORT FOR SWITCH
10	4162.340	4162.340	MICRO SWITCH
11	4162.362	4162.362	SUPPORT FOR THERMOSTAT
12	4162.343	4162.343	SAFETY THERMOSTAT
13	4160.632	4160.632	FLAME PROBE
14	4162.190	4162.190	IGNITION ELETTRICAL FOLDER
15	4161.039	4161.039	COPPER EXTENDIN VALVOLE-NOZZLE
16	4160.963	4160.963	ELECTROVALVE
17	4160.683	4160.684	GAS COCK
18	4161.094	4161.094	COUPLING SLEEVE
19	4160.614	4160.614	PLAIN WASHER M10
20	4160.700	4160.700	GAS INLET NOZZLE
21	4161.854	4161.854	BLOCK FOR NIPPLO
22	4160.964	4160.964	NIPPLES REDUCER
23	4161.095	4161.095	NOZZLE 1/4"
24	4160.962	4160.962	NOZZLE 1/4" - 1/8"
25	4161.018	4160.951	SUPPORT BURNER
26	4160.631	4160.631	ELECTRIC CABLE
27	4160.651	4160.651	KEEPER WIRE DEVICE
28	4160.648	4160.648	COMPLETE PLUG IN
29	4160.650	4160.650	CONNEXION PLUG 5 PIN
29	4161.401	4161.401	CONNEXION PLUG 4 PIN
30	4160.649	4160.649	CONNEXION SOCKET 5 PIN
30	4161.400	4161.400	CONNEXION SOCKET 4 PIN
31	4160.647	4160.647	ANGULAR FIX CASE
32	4161.058	4161.058	LIGHT SWITCH
33	4160.638	4160.638	COVER SWITCH
34	4161.057	4161.057	SWITCH
35	4160.635	4160.635	KEEPER WIRE DEVICE
36	4161.092	4161.086	BASE
37	4162.361	4162.361	RELAY
38	4162.187	4162.187	ANTIJAMMING FILTER
39	4160.646	4160.646	GROMMET
40	4161.004	4161.004	ELECTRONIC PC BOARD
41	4160.639	4160.639	RIVET POP
42	4160.967	4160.967	90° DEGREE ELBOW 1/8"
43	4160.768	4160.768	SUPPORT GAS NOZZLE
44	4160.766	4160.770	GAS NOZZLE
45	S/R	S/R	NECK PLATE
46	4160.676	4160.676	GAS BURNER
47	4161.041	4161.041	PLATE BURNER

S/R – Parts available by special request only

MASTER GAS HEATERS

MODEL 70 kW D.V.

ILLUSTRATED PARTS BREAKDOWN



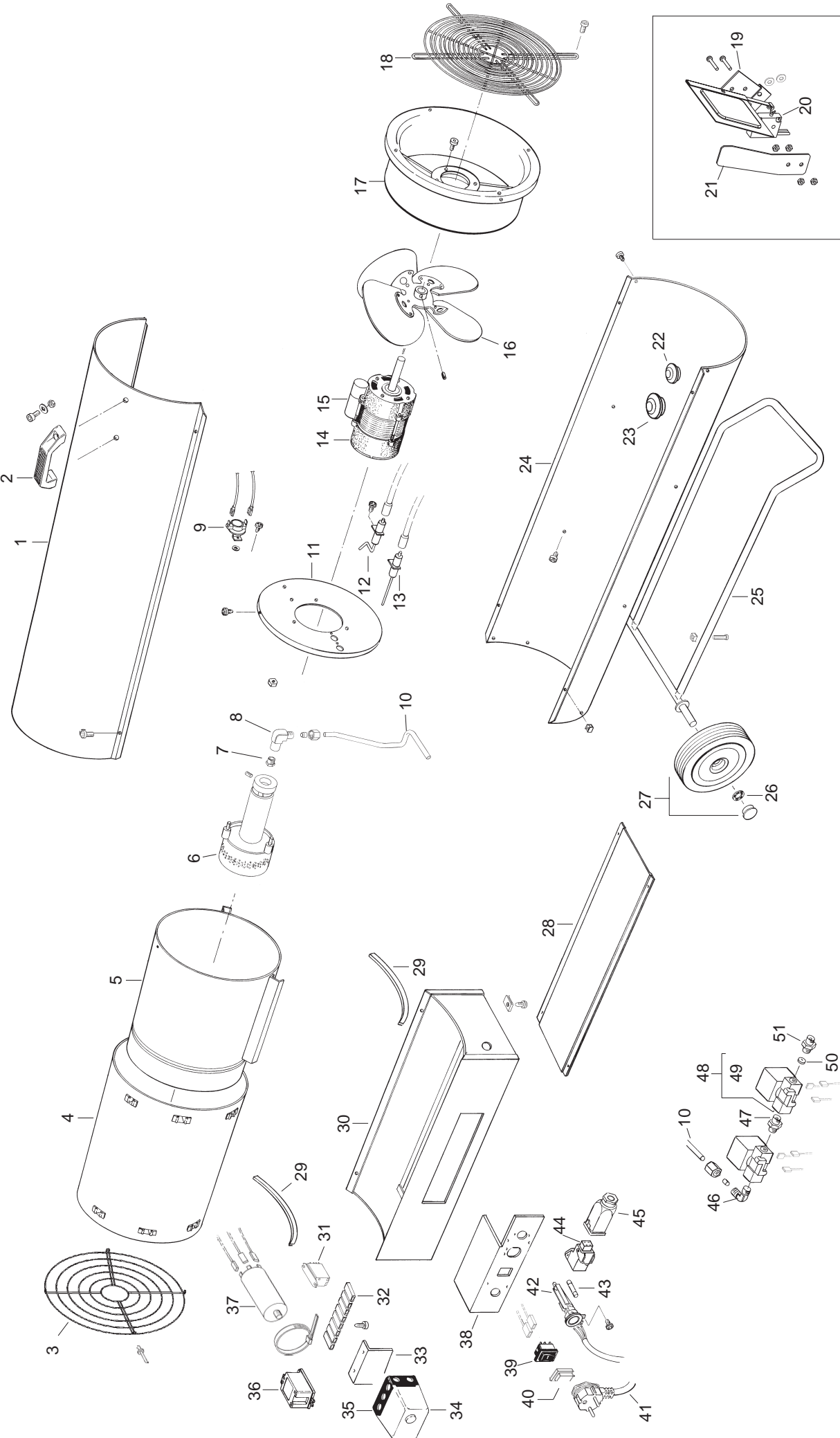
FIG

MASTER GAS HEATERS BLP 70M DUAL VOLTAGE

Pos.	Code NR	Description
1	4160.759	OUTLET GRID
2	4160.957	COMBUSTION CHAMBER
3	S/R	COVER
4	4160.715	PLASTIC HANDLE
5	4160.959	FAN
6	4161.167	ELECTRIC MOTOR
7	4160.758	INLET GRID
8	4161.012	SUPPORT ELECTRIC MOTOR
9	4160.744	PLATE BURNER
10	4160.731	IGNITION ELETTRICAL FOLDER
11	4160.708	SUPPORT FOR THERMOSTAT
12	4160.636	SAFETY THERMOSTAT 90°
13	4160.953	INTERRUPTED THERMOCOUPLE
14	4160.627	ELASTIC WASHER
15	4160.962	NOZZLE 1/4" - 1/8"
16	4160.963	ELECTROVALVE
17	4160.964	NIPPLES REDUCER
18	4160.700	GAS INLET NOZZLE 3/8 M - 1/8 M
19	4160.688	SAFETY GAS VALVE
20	4160.701	RING NUT M12X0,75
21	4160.684	GAS COCK
22	4160.646	GROMMET 16-30-22
23	4160.951	SUPPORT BURNER
24	4160.950	BASE
25	4160.637	SWITCH
26	4160.638	COVER SWITCH
27	4160.631	ELECTRIC CABLE
28	4160.635	KEEPER WIRE DEVICE
29	4162.222	PIEZO IGNITOR WITH ADAPTER
30	N/A	ADAPTER FOR PIEZO IGNITOR
31	4161.292	SWITCH DUAL VOLTAGE
32	4161.284	COVER SWITCH DUAL VOLTAGE
33	4160.639	RIVET POP
34	4160.967	90° DEGREE ELBOW 1/8"
35	4160.768	SUPPORT GAS NOZZLE
36	4160.770	GAS NOZZLE
37	4160.767	COPPER EXTENDIN VALVOLE-NOZZLE
39	4160.676	GAS BURNER

S/R – Parts available by special request only

N/A – Parts not available



BLP 100 E

MASTER GAS HEATERS BLP 100E

Pos.	Code NR	Description
1	S/R	UPPER BODY
2	4162.075	HANDLE
3	4162.074	STAINLESS OUTLET GRILL
4	4162.073	COMBUSTION CHAMBER COVER
5	4162.061	COMBUSTION CHAMBER
6	4162.072	BURNER
7	4162.076	NOZZLE Ø1.9
8	4162.077	NOZZLE CONNECTION
9	4162.071	OVERHEAT THERMOSTAT
10	4162.079	GAS SUPPLY PIPE Ø6
11	4162.068	BURNER PLATE
12	4162.069	IGNITION ELECTRODE
13	4162.070	IONISATION ELECTRODE
14	4162.066	MOTOR 130W 230V
15	4162.144	CONDENSER 5µF
16	4162.065	FAN Ø300 27°
17	S/R	MOTOR FLANGE
18	4162.063	INLET GRILL
19	4162.104	SWITCH SUPPORT
20	4162.105	SWITCH
21	4162.106	STIRRUP
22	4162.101	PROTECTION CABLE Ø18
23	4162.093	PROTECTION CABLE Ø35
24	S/R	LOWER BODY
25	4162.062	FRAME
26	4162.099	WHEEL HOLDER Ø20
27	4162.098	WHEEL Ø200 HUB Ø20
28	4162.058	INSPECTION DOOR
29	4162.100	V SEAL
30	S/R	BASE
31	4162.107	RELAY FINDER 55.32 V230
32	4162.085	TERMINAL BOARD
33	4162.087	SUPPORT
34	4162.089	CTRLBOX SATRONIC DKG972
35	4162.088	BOX BASE SATRONIC DKG972
36	4162.086	TRANSFORMER H.T.
37	4162.103	ANTI-JAMMING FILTER DEM
38	4162.097	ELECTRICAL COMP. DRAWER
39	4162.092	SWITCH I-0-II
40	4162.102	SWITCH PLASTIC PROFILE
41	4162.096	EL. WIRE WITH PLUG
42	4162.094	CABLE FASTENER
43	4162.095	FUSE 4A
44	4162.090	THERMOSTAT PLUG
45	4162.091	PLATE PLUG
46	4162.078	CONNECTION 90° 1/4" MX6
47	4162.082	SCREW 1/4" M-M
48	4162.080	SOLENOID VALVE 1/4" 230V
49	4162.081	SOLENOID SPOOL PARKER 230V
50	4162.083	DIAPHRAGM Ø2,0
51	4162.084	CONNECTION OT 1/4MDX-1/4"MSX

S/R – Parts available by special request only