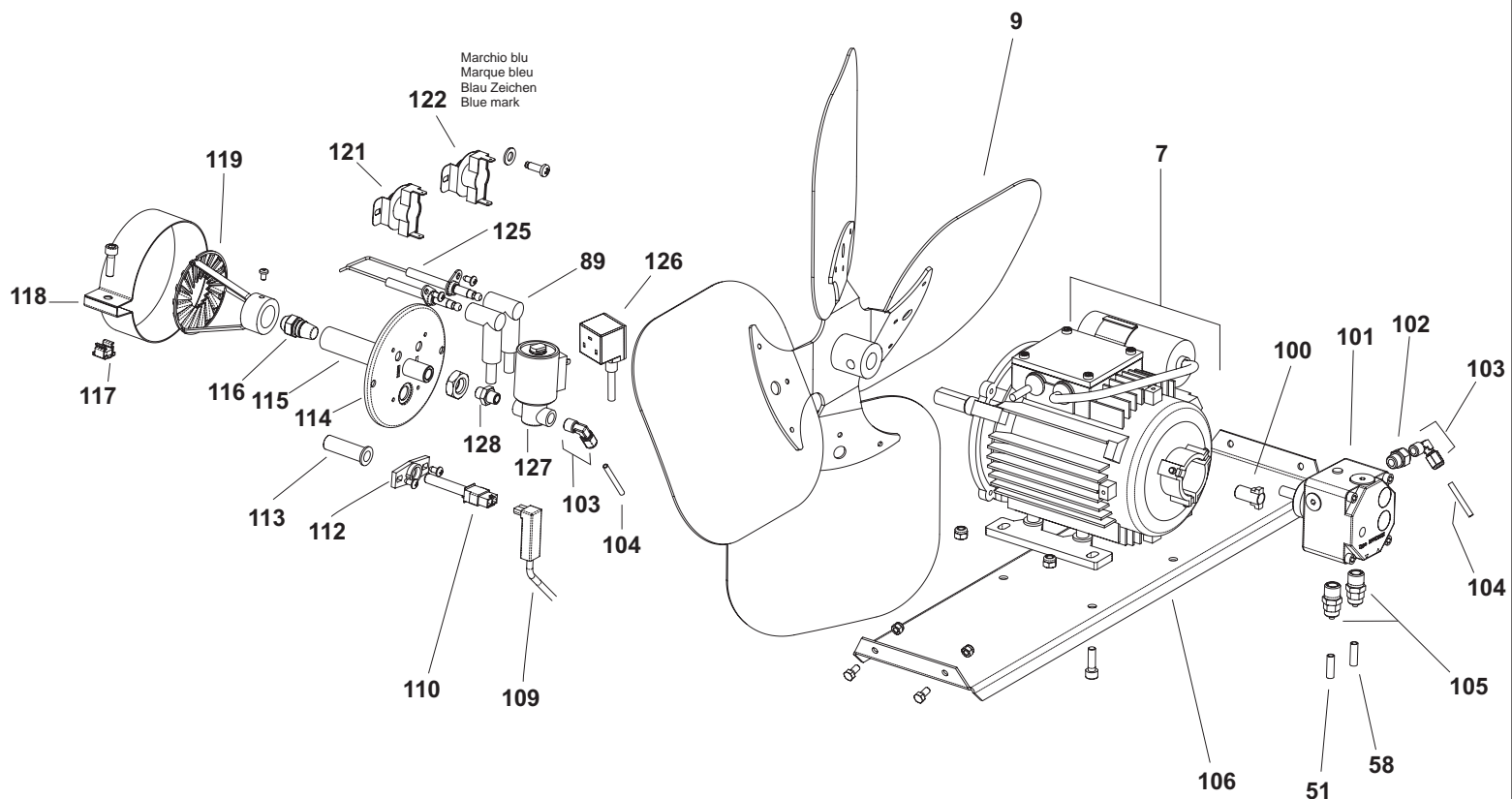
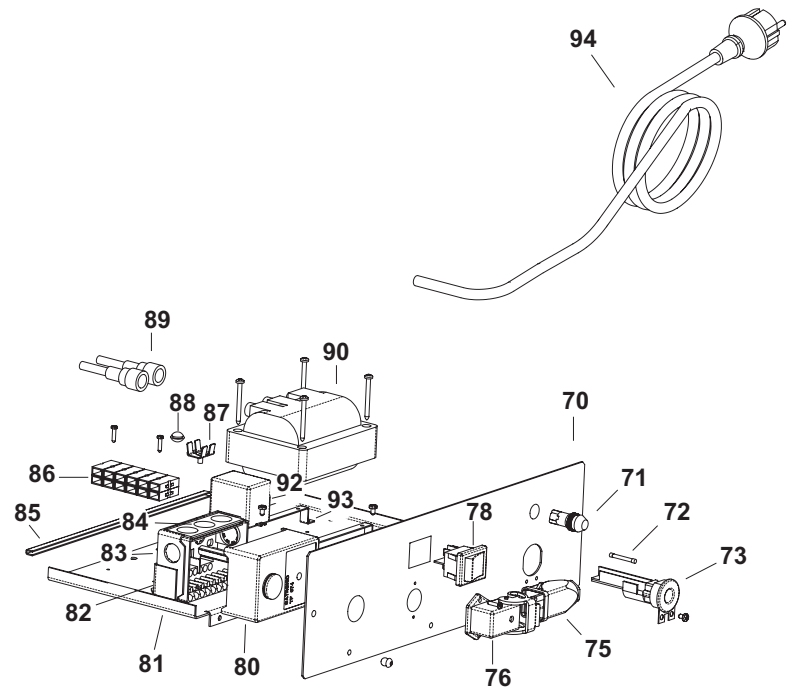
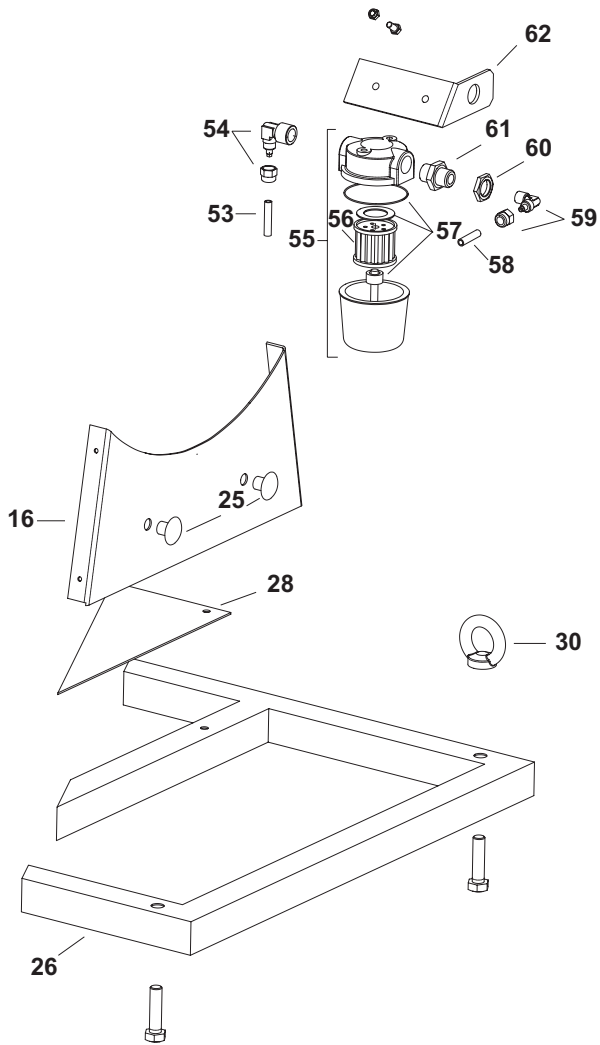


# BVS 290E Suspended

UNIT 2

ILLUSTRATED PARTS BREAKDOWN

Edizione 2005  
Rev. 0



## MASTER SUSPENDED HEATERS BVS 290

Pos.	Code NR	Description
1	S/R	Upper body
2	S/R	Upper body mobile
3	4032.534	Chimney
4	4111.241	Elastic plate
6	4032.465	Inlet grille
7	4032.431	Motor
8	4032.463	Motor flange support
9	4032.430	Fan
10	4111.056	Protection cable
11	4032.518	Central Air flap
12	4104.170	Clip nut
13	4032.452	Outlet cone
14	S/R	Lower body
15	4032.408	Combustion chamber
16	S/R	Base
17	4032.462	Air flap
18	4101.151	Protection cable
19	4032.468	Side panel
20	4032.536	Power cord hook
22	4160.646	Protection cable
25	4032.509	Rubber pin
26	4032.493	Suspending frame
27	4032.443	Base support
28	4032.489	Lower panel
29	S/R	Electr. componets drawer panel
30	4032.491	Lug
51	4032.618	Fuel pipe pump-tank
53	4032.617	Fuel pipe tank-filter
54	4031.803	Connection 90° 3/8"
55	4111.045	Filter with cartidge 3/8"
56	4031.015	Filter cartridge
57	4111.116	OR KIT filter
58	4032.435	Fuel pipe filter-pump
59	4111.273	Connection 90° 1/8"
60	4031.800	Conn. straight 3/8" Mx5
61	4031.802	Double screw
62	4032.437	Filter support
70	4032.446	Electr. components drawer
71	4117.058	Pilot lamp 230V
72	4111.040	Fuse (6,3x32) 10 A
73	4111.038	Cable fastener
75	4111.118	Thermostat plug
76	4111.119	Plate plug

## MASTER SUSPENDED HEATERS BVS 290

Pos.	Code NR	Description
78	4160.637	Switch
80	4110.968	Control box Satronic
81	4032.448	Electr. Components base
82	4032.499	Control box support
83	4110.969	Control box base
84	4110.967	Support PG photocell
85	4110.155	Edge Liner
86	4111.033	Terminal board
87	4160.639	Pop rivet with termin. 4 way
88	4032.450	Plastic pin
89	4110.971	H.T. cable
90	4031.035	Transformer
92	4111.032	Relay Finder
93	4111.030	Transformer support
94	4111.153	Power cord
100	4111.081	Coupling Simel
101	4032.432	Pump Danfoss
102	4161.501	Nut for bicone 1/8
103	4161.140	Connection 90° 1/8"
104	4032.433	Oil supply pipe
105	4031.160	Conn. Straight 1/4"
106	4032.463	Motor flange support
109	4110.970	Photocell conn. cable.
110	4110.966	Photocell
112	4111.076	Photocell block bracket
113	4032.406	Photocell support
114	4032.405	Burner flange
115	4032.403	Nozzle support
116	4031.030	Nozzle 1,50 GPH 80°S
117	4032.454	Nut M6
118	4032.453	Air regulatoin flap
119	4032.570	Turbo disc
121	4031.045	Fan Thermostat
122	4031.047	Limit Thermostat
125	4031.095	Electrode
126	4032.110	Power cord Solenoid spool
127	4102.535	Solenoid spool 230V/50Hz
128	4160.968	Conn. straight 1/8"

S/R – Parts available by special request only