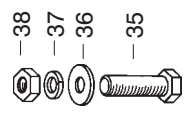




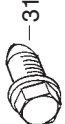
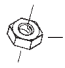
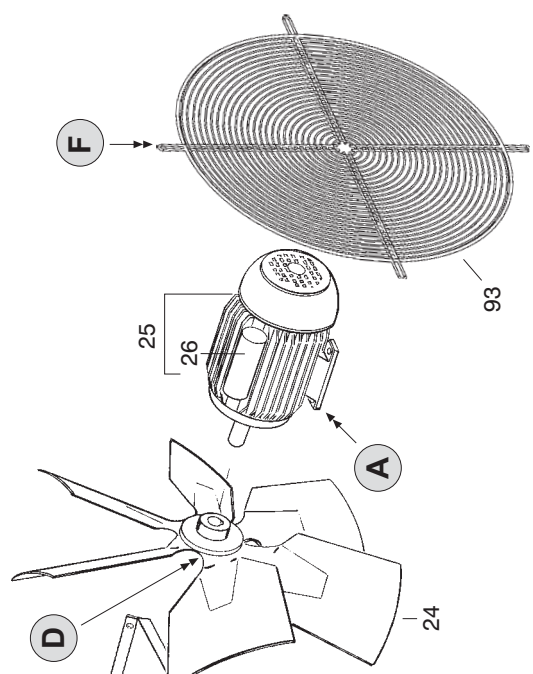
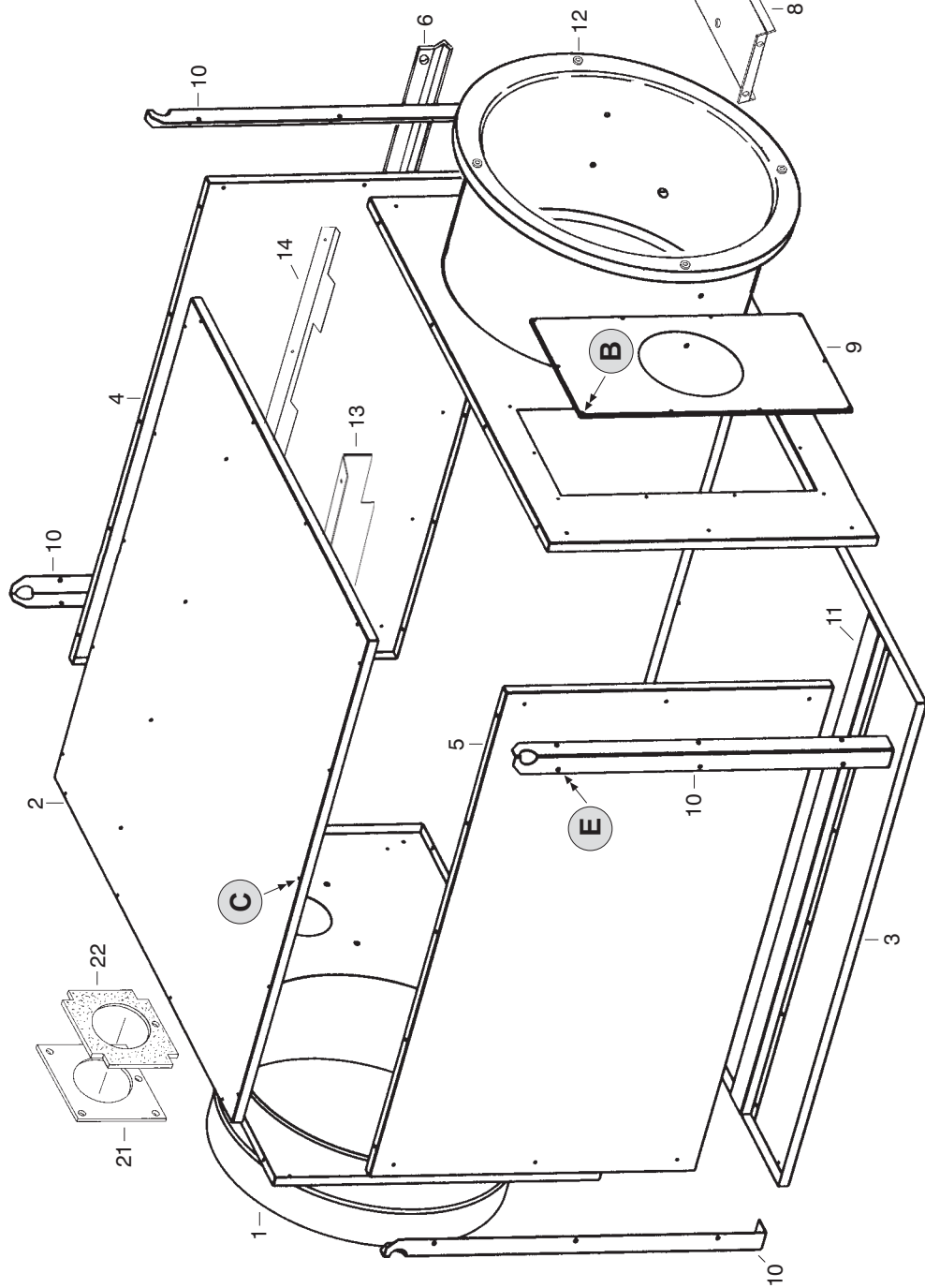
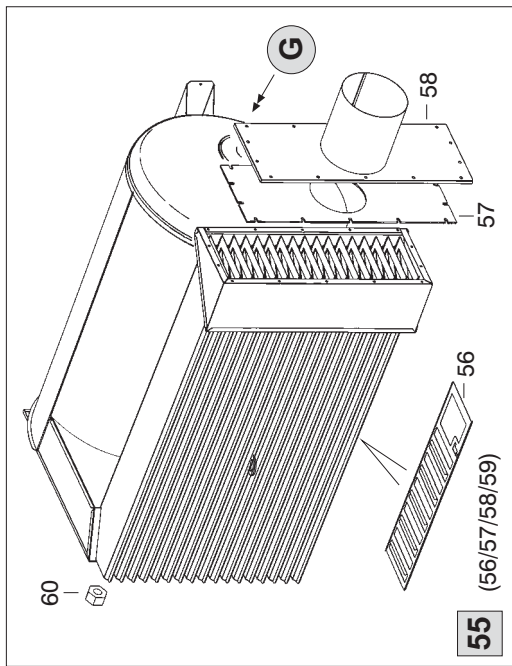
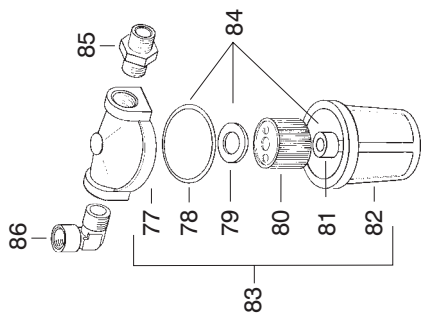
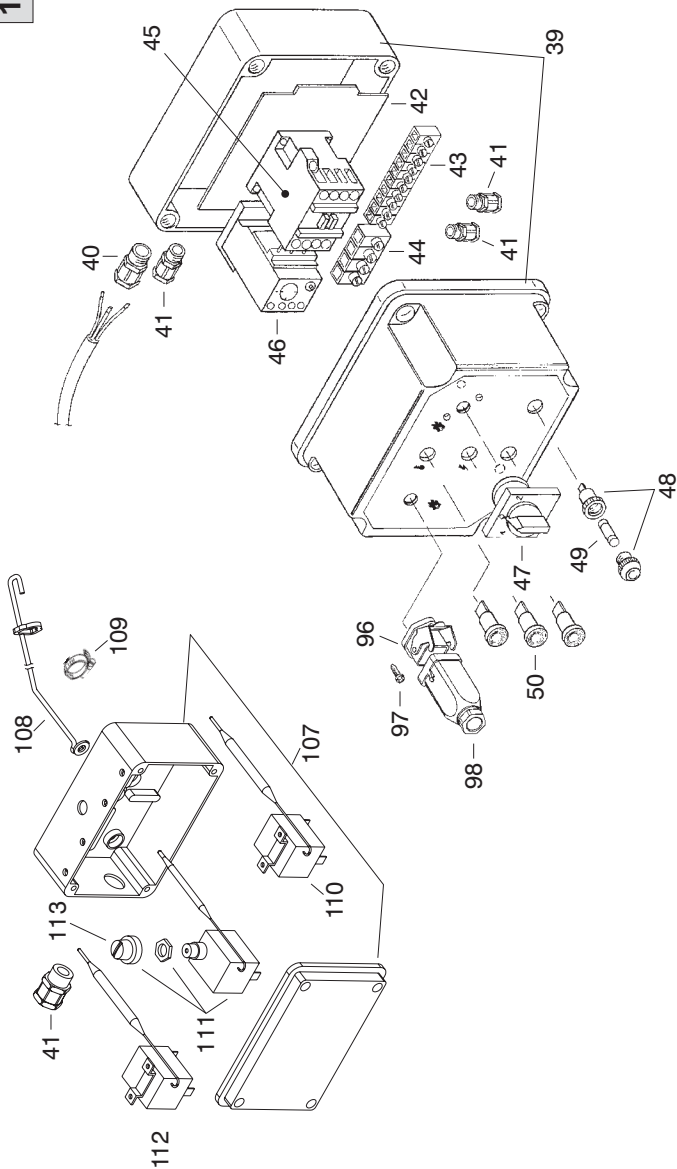


# GREEN 70 - 115

<b>A</b> 	<b>B</b> 	<b>D</b> 	<b>F</b> 
<b>C</b> 	<b>E</b> 	<b>G</b> 	

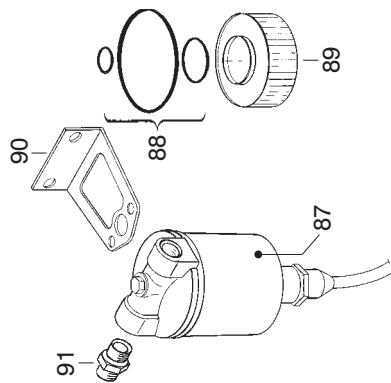


# GREEN 70 - 115



Filtro gasolio - Filtre  
Filter

Optional (2)  
Filtro Gasolio con preriscaldato - Filtre pre-chauffage  
Heizölvorwärmfilter - Oil pre-heaters filter



MASTER SUSPENDED HEATERS

MODEL GREEN 70 / 115

PARTS LIST

Position	Code	Description	70	115
1	S/R	Outlet air panel	•	
1	S/R	Outlet air panel		•
2	S/R	Upper panel	•	
2	S/R	Upper panel		•
3	S/R	Lower panel	•	
3	S/R	Lower panel		•
4	S/R	Side SX panel	•	
4	S/R	Side SX panel		•
5	S/R	Side DX panel	•	
5	S/R	Side DX panel		•
6	S/R	Electric wire cover	•	
6	S/R	Electric wire cover		•
8	4032.015	Motor support plate	•	
8	4032.016	Motor support plate		•
9	S/R	Chimney flange	•	
9	S/R	Chimney panel		•
10	S/R	Suspending frame	•	
10	S/R	Suspending frame		•
11	S/R	Comb. chamber support	•	
11	S/R	Comb. chamber support		•
12	S/R	Fan support panel	•	
12	S/R	Fan support panel		•
13	S/R	Air flap	•	
14	S/R	Air flap		•
21	4031.118	Burner support	•	
21	4032.028	Burner support		•
22	4031.201	Burner plate seal	•	•
24	4032.031	Fan	•	
24	4031.347	Fan		•
25	4032.035	Motor HP 0,75 230	•	
25	4032.036	Motor HP 1,5 230		•
26	4032.037	Capacitor mF 16	•	
26	4031.346	Capacitor mF 32		•
29	4140.675	Screw TC 8x1	•	•
30	4032.039	Screw TC 8x1/2	•	•
31	4032.040	Screw TE 14x1/2" FR	•	•
32	4032.041	Screw TE M6x16	•	
32	4032.042	Screw TE M10x30		•
33	4032.044	Spring waher ø6	•	
33	4032.043	Spring waher ø10		•
34	4140.667	Waher ø6x24x2	•	
34	4032.046	Waher ø11x35x2		•
35	4032.047	Screw TE M8x30	•	•
36	4140.668	Waher ø8x24x2,5	•	•
37	4140.669	Spring waher ø8	•	•
38	4140.671	Nut M8	•	•
39	4032.051	El. components box	•	•
40	4032.052	Cable fastener PG 11	•	•
41	4032.053	Cable fastener PG 9	•	•

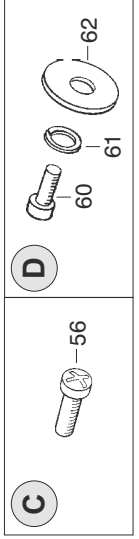
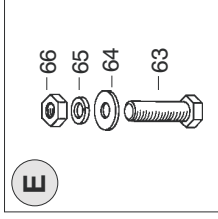
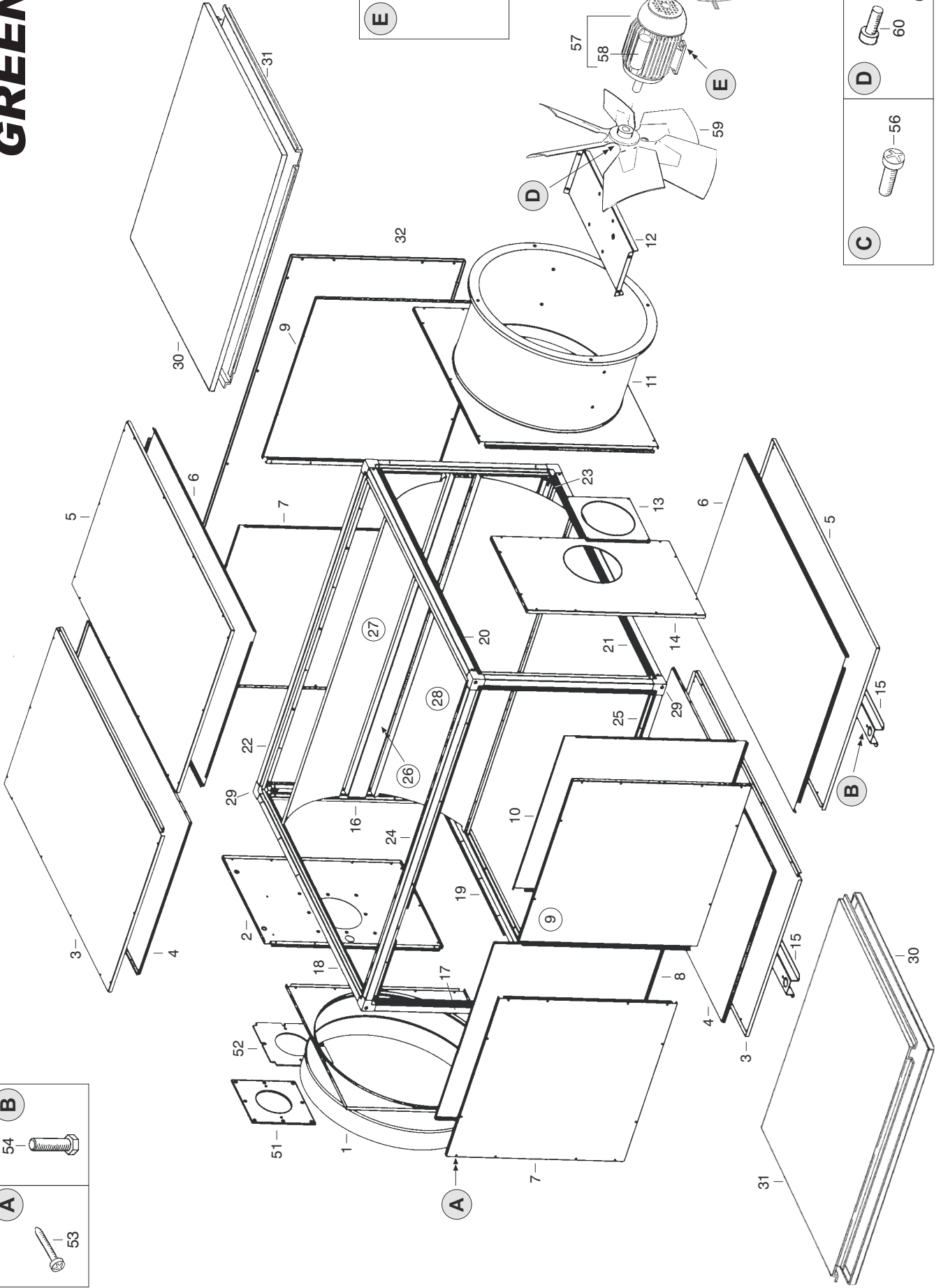
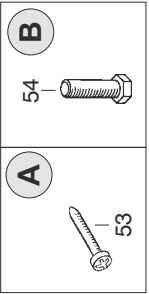
MASTER SUSPENDED HEATERS

MODEL GREEN 70 / 115

PARTS LIST

Position	Code	Description	70	115
42	4032.054	El. components supp. plate	•	•
43	4032.055	Terminal board	•	•
44	4032.056	Terminal board	•	•
45	4031.334	Contacteur Wimex	•	•
46	4032.060	Relay Iskra	•	
46	4032.063	Relay Iskra		•
47	4031.268	Control knob 1-0-2	•	•
48	4031.902	Fuse holder	•	•
49	4031.102	Fuse (5x20) A.6	•	•
50	4031.169	Red pilot lamp Ø12	•	•
55	4032.068	Combustion chamber	•	
55	4032.069	Combustion chamber		•
56	4032.070	Baffle plate	•	•
57	4031.365	Chimney seal	•	
57	4032.072	Chimney seal		•
58	4032.073	Chimney cover	•	
58	4032.074	Chimney cover		•
59	4032.075	Nut M6 brass	•	•
60	4032.076	Female plug 1"	•	•
77	4032.077	Filter head 1/4"	•	•
78	4031.150	Filter OR	•	•
79	4031.075	Upper seal	•	•
80	4031.015	Filter cartridge	•	•
81	4031.191	Lower seal	•	•
82	4031.180	Filter housing	•	•
83	4031.071	Filter 1/4"	•	•
84	4111.116	Kit OR	•	•
85	4031.302	Nipple 1/4"	•	•
86	4031.222	Connection 1/4"	•	•
87	4031.120	Oil pre-heaters filter 3/8"	•	•
88	4031.181	Kit OR	•	•
89	4031.179	Filter cartridge	•	•
90	4031.122	Filter support	•	•
91	4032.104	Nipple FE 3/8"M-1/4" M	•	•
93	4032.105	Intel grille	•	
93	4032.106	Intel grille		•
94	4032.107	Screw TC M6x16 FR	•	•
96	4032.108	Thermostat plug 3P+T	•	•
97	4032.109	Screw TC 4x1/2"	•	•
98	4031.089	Thermostat plug 3P+T	•	•
107	4032.119	El. components box	•	•
108	4032.120	Bulbs holder	•	•
109	4032.121	Clip	•	•
110	4032.122	Thermostat TY95 50/90 °C	•	•
111	4032.123	Thermostat TY95H 120 °C	•	•
112	4032.124	Thermostat TY95 20/60 °C	•	•
113	4032.125	Safety therm. plastic profile	•	•
114	4032.127	Electric control box	•	
114	4032.128	Electric control box		•

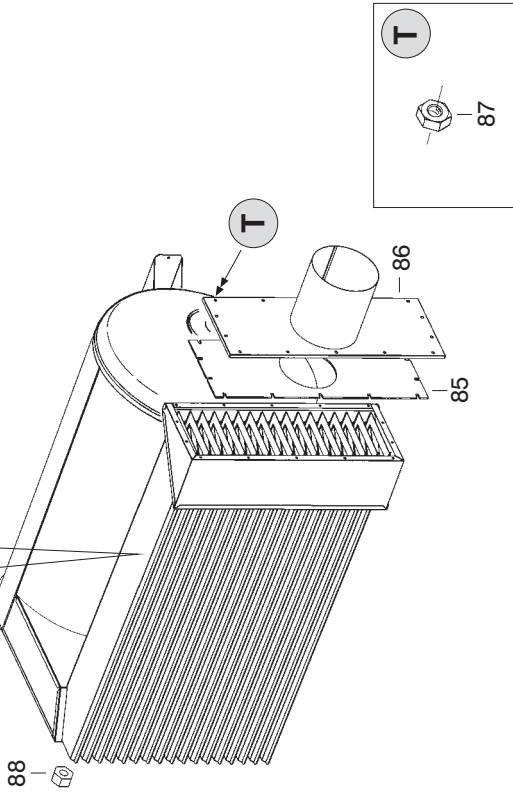
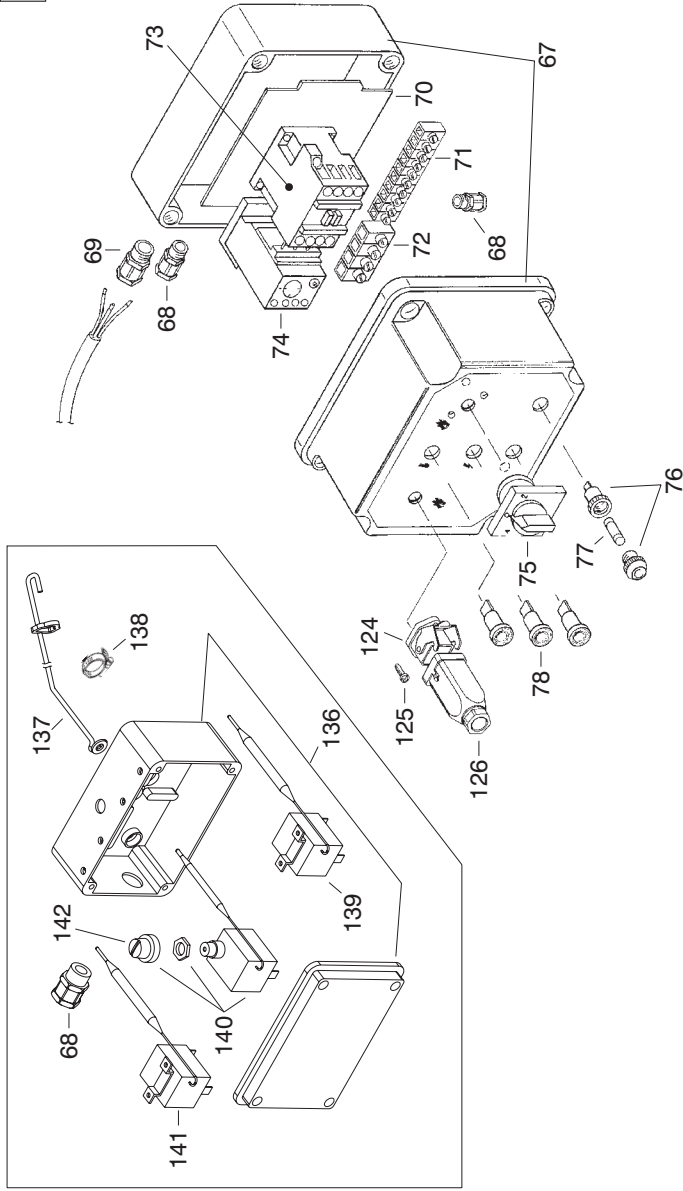
# GREEN 200



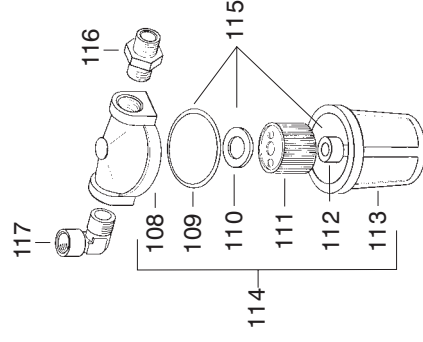
# GREEN 200

83 (84/85/86/87)

143



Optional (2)  
 Filtro Gasolio con preriscaldato - Filtre pre-chauffage  
 Heizölvorwärmfilter - Oil pre-heaters filter



Filtro Gasolio - Filtre - Filter - Filter

MASTER SUSPENDED HEATERS

MODEL GREEN 200

PARTS LIST

Position	Code	Description
1	S/R	Outlet air panel
2	S/R	Burner panel
3	S/R	Upper upper panel
4	S/R	Inner panel for 4032.135
5	S/R	Rear upper panel
6	S/R	Inner panel for 4032.137
7	S/R	Side front panel
8	S/R	Inner panel for 4032.139
9	S/R	Side rear panel
10	S/R	Inner panel for 4032.141
11	S/R	Fan support panel
12	4032.144	Motor support plate
13	4032.145	Chimney flange Ø200
14	4032.146	Chimney panel
15	S/R	Suspending frame
16	S/R	Vertical SX angle steel
17	S/R	Vertical DX angle steel
18	S/R	Front upper angle steel
19	S/R	Front lower angle steel
20	S/R	Rear upper angle steel
21	S/R	Rear lower angle steel
22	S/R	Upper long SX angle steel
23	S/R	Lower long SX angle steel
24	S/R	Lower long DX angle steel
25	S/R	Lower long DX angle steel
26	4032.158	Comb. Chamber support
27	4032.159	Comb. Chamber SX support
28	4032.160	Comb. Chamber DX support
29	4032.161	Aluminum joint
51	4032.162	Burner support
52	4031.322	Burner plate seal
53	4140.675	Screw TC 8x1
54	4032.089	Screw TE M8x25
55	4032.164	Intel grille
56	4032.107	Screw TC M6x16 FR
57	4032.166	Motor HP 3 230
59	4031.328	Fan Ø630
60	4032.169	Screw TE M10x20
61	4032.043	Spring wahaer ø10
62	4032.046	Washer Ø11xØ35x2
63	4140.681	Screw TE M8x30
64	4032.048	Wahaer ø8x24x2,5
65	4140.688	Spring wahaer ø8
66	4140.671	Nut M8

MASTER SUSPENDED HEATERS

MODEL GREEN 200

PARTS LIST

Position	Code	Description
67	4032.171	El. components box
68	4032.053	Cable fastener PG 9
69	4032.283	Cable fastener PG 13
70	4032.054	El. components supp. plate
71	4032.055	Terminal board 12 el. m <sup>2</sup> 6
72	4032.056	Terminal board 12 el. m <sup>2</sup> 10
73	4032.057	Contacteur Wimex KN12
74	4032.061	Relay Iskra
75	4031.268	Control knob 1-0-2
76	4031.902	Fuse holder
77	4031.102	Fuse (5x20) A.6
78	4031.169	Red pilot lamp Ø12
83	4032.173	Combustion chamber
84	4032.174	Baffle plate
85	4031.366	Chimney seal
86	4032.176	Chimney cover
87	4032.075	Nut M6 brass
88	4032.076	Female plug 1"
104	4032.186	Spring washer Ø6x13x1,5
108	4032.077	Filter head 1/4"
109	4031.150	Filter OR
110	4031.075	Upper seal
111	4031.015	Filter cartridge
112	4031.191	Lower seal
113	4031.180	Filter housing
114	4031.071	Filter 1/4"
115	4111.116	Kit OR
116	4031.302	Nipple 1/4"
117	4031.222	Connection 1/4"
118	4031.120	Oil pre-heaters filter 3/8"
119	4031.181	Kit OR
120	4031.179	Filter cartridge
121	4031.122	Filter support
122	4032.104	Nipple FE 3/8"M-1/4" M
124	4032.108	Thermostat plug 3P+T
125	4032.109	Screw TC 4x1/2"
126	4031.089	Thermostat plug 3P+T
137	4032.120	Bulbs holder
138	4032.121	Clip
139	4032.122	Thermostat TY95 50/90 °C
140	4032.123	Thermostat TY95H 120 °C
141	4032.124	Thermostat TY95 20/60 °C
142	4032.125	Safety therm. plastic profile
143	4032.192	Electric control box