



Air impact wrench
Llave de Impacto neumática
वायवीय प्रभाव रिंच
هوائي ربط مفتاح

AIW-980S

User manual ... 2
Manual de usuario ... 12
उपयोगकर्तापुस्तिकत ... 23
الاستخدام دليل ... 33



Dear Customer!

This manual contains important instructions for the optimal and safe use of the pneumatic impact wrench. Before using the pneumatic impact wrench, read and understand the user manual.

Symbol Meaning in the Manual and on the Device

	Warning! Follow all safety instructions marked with this symbol. Failure to comply may result in serious and irreversible health damage, as well as significant material damage.
	Important Note! This symbol indicates important instructions that should be followed for the flawless operation of this tool. Only in this way can potential malfunctions be prevented.
	Useful Information! This symbol provides necessary explanatory information and tips for the optimal use of this tool.
	Attention! Read the user manual before starting operation.
	Use Hearing Protection!
	Use Safety Glasses!
	Use Protective Gloves!
	Use Respiratory Protection!

This manual has been compiled with maximum accuracy. We reserve the right to optimize and technically adapt this manual at any time. Images and some data may differ from the real product.

The impact wrench is intended for loosening and tightening nuts and bolts using an appropriate interchangeable socket. This wrench has an adjustable torque. The device is powered only by a compressed air. Do not exceed the maximum allowable working

pressure of 6,3 bar. Connection to the air supply source is through a threaded nipple (included) and a quick-release coupling. Exhaust air is discharged next to the air supply pipe downward. Changing the accessories (socket and extension) is quick and easy.

Improper or incorrect use is considered as use not intended and voids the warranty.

1. IMPORTANT SAFETY RULES
Prohibited Applications

- Do not use the device in explosive environments containing substances such as flammable liquids, gases, dust clouds, and paints.
- Working in potentially explosive environments requires special attention.
- Never use oxygen or other flammable gases as a power source.
- Hand-held impact rotary tools usually lack insulation when in contact with electrical power sources.
- Before starting work, make sure there is no risk of contact with high voltage cables, gas pipes, and water pipes.

General Safety Instructions

- Interchangeable tools in some types of impact rotary machines operating under heavy loads, such as hammer drills, quickly deform due to these loads and may fail after a long period of use.
- Unintentional movement of the machine or damage to the interchangeable tool can cause injuries.
- Incorrect postures may not allow counteracting the normal or unintentional movement of the machine. Adopt a posture that provides stability in case the interchangeable tool fails.
- It is recommended to use dust collectors or water wash.
- Hand-held machines must be disconnected from the power source before changing the interchangeable tool.
- A reactive moment may occur when operating a hand-held machine.

- There is a risk of entanglement (hair or clothing) when rotating the interchangeable tool.
- There is a risk of damage to compressed air hoses.
- Correct postures effectively ensure the operator's safety in case of tool breakage.
- The start/stop device is switched off (returns to the stop position) in case of power supply interruption.
- Use lubricants only as recommended by the manufacturer.
- Follow general safety and accident prevention rules. In addition to the instructions in this user manual, observe the safety and accident prevention instructions of the employer.
- Familiarize third parties with the user manual. Ensure that third parties use this device only after receiving all necessary instructions.
- Keep children away and ensure the device cannot be used by unauthorized persons. Never leave the tool unattended. Children must not be allowed to use this product. Ensure unauthorized persons cannot use this product.
- The tool is not intended for use by individuals (including children) with reduced physical, sensory, or mental capabilities, or lack of experience and knowledge unless supervised or instructed on the use of the device by a person responsible for their safety. Children should be supervised to prevent playing with the tool.
- Stay alert and focused while working. Do not perform any work with this tool if you have lost concentration, are ill, or under the influence of drugs, alcohol, or medication. Losing attention while using this tool can lead to serious accidents and injuries.
- Ensure safe conditions. Pay attention to the impeccable and safe condition of the tool while working. Unexpected movements of the mechanism caused by reactive forces can lead to severe injuries.
- Watch for damages. Check the tool for possible damages before starting operation. If any malfunctions are detected, do not use the tool.
- Do not use sharp objects. Never insert sharp and/or metallic objects inside the tool.

- Use only as intended. Use the wrench only for the purposes described in this user manual. Unauthorized use is prohibited.
- Regularly check. During use, some parts of the tool may wear out. Therefore, regularly check the tool for possible damages and malfunctions. Pay special attention to the retaining ring.
- Use only original spare parts. For your safety, use only the equipment and accessories specified in the user manual or recommended by the manufacturer.
- Do not use in explosive environments. Do not use the tool in explosive environments containing substances such as flammable liquids, gases, and especially dust clouds and paints. These substances can ignite on contact with hot surfaces of the tool.



Specific Safety Instructions

- Carefully disconnect the quick-release coupling. When disconnecting the quick-release coupling, firmly hold the air hose to avoid damage caused by the hose recoiling.
- Wear suitable work clothing. Do not wear loose clothing or jewelry. They can get caught in moving parts. If you have long hair, use a head covering or a hair net.
- Use safety glasses. Wear appropriate safety glasses to protect your eyes. Flying bolts, nuts, or sockets can cause serious injuries. In case of failure of the installed socket, fragments are ejected at high speed.
- Avoid idling. Do not operate the tool idling to avoid uncontrolled ejection of interchangeable sockets, etc.
- Use respiratory protection. Constantly use appropriate respiratory protection. During operation, the air can be contaminated with harmful substances such as dust, oil, and other liquids and particles.
- Use hearing protection. Noise levels at the workplace exceed 90 dB(A). Therefore, always use appropriate hearing protection.
- Use protective gloves. Vibrations under load can cause injuries. For optimal tool control, wear appropriate protective gloves.
- Disconnect from the air supply. During maintenance, repair, transportation, or changing the socket, the tool must not be under pressure.

- Use only compressed air. As a power source, use only compressed air. Never use oxygen or other flammable gases.
- Do not exceed the maximum working pressure. Use a pressure reducer (regulator) to adjust the working pressure. Do not exceed the maximum allowable working pressure of 63 bar.
- Do not touch rotating parts. Never touch rotating parts. Fingers or hands can be injured.
- Check the socket. Before each use, check the installed tool socket. Do not use interchangeable sockets and/or extensions that are not in perfect condition.

Before connecting the tool to the compressor, make sure the compressor pressure switch is in the "OFF" position.

Always use eye protection that meets safety requirements when operating pneumatic tools. Use a respirator designed for such purposes when dust is generated.

WARNING!: Some types of dust generated by mechanical grinding, cutting, milling, drilling, and other construction work contain substances that can cause cancer, congenital defects, and reproductive harm:

- Lead in lead-based paints;
- Crystalline silica in bricks, cement, and other masonry products;
- Arsenic and chromium in chemically treated wood.

The degree of potential exposure risk varies depending on the frequency of performing these types of work. To reduce exposure to these chemicals, work in well-ventilated areas and use safety equipment such as dust masks designed to filter out microscopic particles.

Use only accessories intended for use with pneumatic tools. Before changing accessories, performing tool maintenance, or when the tool is not in use, make sure the tool is disconnected from the air supply.

When operating the tool, do not wear loose clothing or jewelry that can get caught in moving parts and cause injuries. Use the tool at a safe distance from yourself and others in the work area.

Connect the exhaust system. Ensure that available dust removal devices are connected and working properly. Follow local safety regulations when handling hazardous dust and fumes. Operation and maintenance of pneumatic tools should be performed following the recommendations in this manual using the specified accessories to minimize dust and fume emissions. Direct exhaust air to minimize dust swirling in dusty rooms.

Never direct the air stream at yourself or others.

Before each use of the pneumatic tool, thoroughly check the correct operation of safety devices or easily damaged parts. Check moving parts for proper functioning, absence of jamming, and damage.

Use only accessories and additional tools specified in the User Manual or recommended by the manufacturer. Using other accessories or additional tools increases the risk of injury.

Do not repair pneumatic tools yourself. Repairs should be carried out only by qualified specialists.

Do not make modifications to the pneumatic tool. Such modifications may reduce the effectiveness of safety measures and increase risks for users.

Use appropriate personal protective equipment: ear protectors, safety glasses, respirator (when working with dust-generating materials), protective gloves (when handling rough materials and changing working tools).

Working with pneumatic tools requires complete concentration. Do not start work if you are distracted. The user and maintenance personnel must be physically fit to work with this tool considering its size, weight, and power.



Hazards Due to Flying Parts

- Damage to the workpiece, interchangeable tool, or equipment can cause high-speed ejection.
- In case of failure of the workpiece, accessories, or pneumatic tool, parts can fly off at high speed.
- Disconnect the pneumatic tool from the compressed air supply before changing the

interchangeable tool/accessories, adjusting, or performing maintenance.

- Ensure that the workpiece is securely fastened.
- The operator should ensure that there are no bystanders nearby.
- Wear a protective helmet for overhead work.
- When operating, replacing accessories, and during repair or maintenance of pneumatic tools, always wear impact-resistant protective glasses. The required level of protection should be assessed individually for each case

Hazards Due to Entanglement

- Work in appropriate (specialized) clothing. Do not wear loose clothing or jewelry. Keep hair, clothing, and gloves away from the rotating parts of the pneumatic tool. Loose clothing, jewelry, or long hair can be caught by them, posing an injury risk!
- The working drive element can catch gloves, which can lead to serious hand injuries.
- During operation, rotating drive elements (chucks) and extension elements can easily catch/wrap around rubberized or metal-reinforced protective gloves.
- Do not use loose-fitting or worn-out gloves, as well as gloves with cut-off fingers.
- It is strictly forbidden to hold the drive, chuck, or drive extension.
- Keep hands at a safe distance from the working drive element.

Operational Hazards

- During machine operation, the operator's hands may be exposed to dangers, including impacts, cuts, abrasions, and thermal effects. Special gloves should be worn to protect the hands.
- Operators and maintenance personnel must be physically capable of handling the machine's size, weight, and power.
- Hold the machine correctly. Be prepared to counteract normal or sudden movements, with both hands ready.
- Maintain body balance and ensure a stable footing.
- Disable the start/stop device in case of power interruption.

- Use only lubricants recommended by the manufacturer.
- Protective glasses, suitable gloves, and recommended protective clothing should be used.
- Inspect the heads before each use. Do not use if they are cracked or damaged.
- Avoid direct contact with moving parts to prevent pinching or cutting of hands or other body parts. Wear suitable gloves for hand protection.
- There is a risk of electrostatic discharge if plastic and non-conductive materials are used.
- Potentially explosive atmospheres can be caused by dust and vapors resulting from grinding or finishing. Use dust collection or extraction systems suitable for the workpiece.

Repetitive Motion Hazards

- When working with the tool, the operator may experience discomfort in the hands, forearms, neck, or other parts of the body.
- It is recommended that the operator assumes a comfortable posture, maintaining a stable footing and avoiding unbalanced positions when using the tool. The operator should change position during prolonged work to avoid discomfort and fatigue.
- If the operator feels persistent or periodic discomfort, pain, numbness, or burning sensations, these warning symptoms should not be ignored. The operator should inform the employer and seek qualified medical attention.

Hazards from Auxiliary Tools

- Disconnect the pneumatic tool from the power source before installing interchangeable tools or accessories.
- Avoid direct contact with interchangeable tools during and after use, as they may be hot or sharp.
- Use only the sizes and types of accessories and consumables recommended by the manufacturer; do not use other types or sizes.
- Use only intact interchangeable tools. Using damaged interchangeable tools can result in

fragments being thrown in different directions.



Dust and Vapor Hazards

- Dust and vapors created during device use can cause health deterioration (e.g., cancer, birth defects, asthma, and/or dermatitis). Risk assessment and appropriate control measures for these hazards are mandatory.
- Risk assessment should include dust created during machine use and the possibility of blowing off existing dust.
- Operate and maintain the device as recommended in the instructions to minimize dust or fume emissions.
- Direct the exhaust to minimize dust impact in a dust-laden environment.
- Priority should be given to controlling dust and vapors created at the point of emission.
- All built-in parts or accessories for dust collection, extraction, or suppression should be properly used and maintained according to the manufacturer's instructions.
- Select, maintain, and replace consumables/interchangeable tools as recommended in the user manual to prevent unwanted dust increases.
- Use respiratory protection according to the employer's instructions and health and safety regulations.



Noise Hazards

- Exposure to high noise levels can lead to hearing loss and other problems, such as tinnitus (ringing, buzzing, whistling). Risk assessment and appropriate control measures for these hazards are necessary.
- Appropriate control measures to reduce risk may include using damping materials to prevent noise from the workpiece.
- Use hearing protection according to the employer's instructions and health and safety regulations.
- Operate and maintain the device according to the user manual or instructions to prevent unintended noise increases.
- Select, maintain, and replace consumables/interchangeable tools as recommended in the user manual to prevent unwanted noise increases.



Vibration Hazards

- Vibration exposure can cause nerve damage and impaired blood circulation in the hands and forearms.
- Wear warm clothing when working in cold conditions and keep hands warm and dry.
- Keep hands away from impact wrench chucks.
- If numbness, tingling, pain, or whitening of the skin on fingers or palms occurs, stop operating the grinding or polishing machine, inform the employer, and seek medical attention.
- Operate and maintain the device as indicated in the user manual to prevent unintended vibration level increases.
- Avoid vibration of interchangeable tools when processing the workpiece, as this can significantly increase vibration.
- Hold the tool with a light but secure grip, considering the required hand reaction force, because the risk from vibration is usually higher with a stronger grip.



Additional Safety Instructions for Pneumatic Tools

- Compressed air can cause serious injury.
- Air supply should be disconnected, the air hose should be detached, and the tool should be disconnected from the air supply source when not in use, before changing accessories, or during repairs.
- Do not direct air at yourself or anyone else.
- Flexible hoses can cause serious injury. Hoses should be checked for damage and loose fittings.
- When using universal couplings (claw couplings), locking pins should be installed, and hoses with safety couplings should be used to protect against possible hose-to-tool and hose-to-hose connection ruptures.
- Do not exceed the maximum air pressure indicated on the tool.
- It is prohibited to carry a pneumatic tool by the hose.

2. OPERATION

Unpacking the Delivery Set

After opening the packaging, check the completeness of the delivery set and its condition. In case of incomplete delivery or detected deficiencies, contact the supplier immediately.

Keep the original packaging throughout the product's service life. Dispose of the packaging only after the product's service life has ended.

The Delivery Set Includes:

Air impact wrench – 1 pc.;
 1/2-Inch impact sockets – 3 pcs. (17/19/21mm);
 Quick-release nipple 1/4" AG – 1 pc.
 Oil for pneumatic tools – 1 tube

Device Overview



Fig. 1:

1. Handle
2. Trigger lever for turning the device on and off
3. 1/2" square drive for interchangeable socket heads
4. Combo switch (rotation direction and torque level)
5. 1/4" IG threaded nipple

Starting Operation

Before the first use, the device must be lubricated with oil to minimize friction. To do this:

- Add 3-5 drops of oil into the air inlet pipe while pressing the trigger lever.

- For prolonged operation, it is recommended to install an ECO AU-04B mini-oiler (not included).
- Seal the threads of the mini-oiler and the nipple with sealing tape, and screw the mini-oiler into the nipple.
- Fill the mini-oiler with special oil, unscrew the cross-slotted screw on the mini-oiler and pour oil into the opening.
- Connect the quick-release coupling of the air supply hose (not included) to the threaded nipple. It will snap into place automatically.
- Ensure that the air supply system is equipped with an air preparation unit.

Operation

Select the necessary interchangeable socket head and install it on the square drive (see Fig. 1, pos. 3). Make sure the attachment is securely fastened on the square drive.



Ensure that the air supply system pressure is no more than 6,3 bar. Exceeding the pressure does not increase power but only increases compressed air consumption and accelerates device wear. After that, turn on the compressor.

Lightly tighten the bolt or nut with the pneumatic impact wrench. Then firmly tighten the bolt or nut according to the strength requirements using a torque wrench.

Note that over-tightening bolts or nuts made of soft materials, such as aluminum, can damage the threads.

Setting the Rotation Direction

Set the required rotation direction by setting the switch (Fig. 1, pos. 4) to left position for loosening or right position for tightening.




Fig. 2: Setting the Rotation Direction

- For tightening bolts, turn the switch (see Fig. 2) located on the back of the wrench to right position for right-hand rotation.
- For loosening bolts, turn the switch to left position. The device switches to left-hand rotation (counterclockwise, Fig. 2).

Setting the Torque


Torque adjustment is also done using the combo switch (Fig. 2). To do this, change the switch position to the desired setting:

•	50% torque
•	85% torque
•	100% torque

 Always disconnect the device from the compressed air supply system before changing attachments and before performing any maintenance operations.


Turning Off the Device

- To interrupt work, release the trigger lever.
- Disconnect the pneumatic impact wrench from the compressed air supply system after finishing work.

 Hold the air hose firmly when disconnecting the quick-release coupling to avoid uncontrolled recoil of the air hose.

Storage

- Protect the pneumatic impact wrench from dust, dirt, and insects. Always pack the device in the supplied carrying case.
- Store in a dry, heated, and ventilated room, protected from acid, alkali vapors, and dust-forming substances, at a temperature not lower than +5°C and relative humidity not exceeding 70%.

 Pack the impact wrench only after it has completely cooled down.

Packaging for Transportation

Always pack the impact wrench in the carrying case (included) during transportation to avoid possible damage.

Transportation should be carried out by covered transport of any kind, ensuring the

safety of the equipment, in accordance with the cargo transportation rules applicable to the type of transport used.

Disposal




This symbol means that at the end of the device's life, it should not be disposed of with regular household waste. Take the device to an official collection point for recycling. By doing so, you help preserve the environment.

3. LUBRICATION AND MAINTENANCE

Begin cleaning and maintenance operations only after the device has completely cooled down. Before cleaning and/or maintenance, be sure to disconnect the device from the compressed air supply system.

Cleaning

To prevent contamination, the pneumatic impact wrench should be packed in the supplied carrying case after each use.


 Pack the impact wrench only after it has completely cooled down.

If the wrench still needs cleaning, follow these recommendations:

- Clean the device with a dry, soft cloth or compressed air.
- Never use corrosive and/or abrasive cleaning agents.

Maintenance

Properly prepared air is essential for the flawless operation and long service life of this pneumatic impact wrench. When using the supplied mini-oiler, the device is lubricated automatically during operation. Regularly check the oil level and add oil to the oiler if necessary. Before each use, add 3-5 drops of special pneumatic tool oil into the air inlet. Press the trigger lever while doing this. After the device has been idle for more than 5 days, add 5-10 drops of special pneumatic tool oil into the air inlet before starting the device.

 Note that only original spare parts should be used during repairs and maintenance.

Cleaning and Maintenance by Specialists

Maintenance operations not listed in Section 4 should only be performed at an authorized service center. If maintenance is performed by unauthorized personnel within the first 12 months, all warranty obligations of the supplier (manufacturer) become void.

4. TROUBLESHOOTING

During its service life, certain elements and parts of the product will inevitably wear out (full resource exhaustion, severe internal or external contamination). Replacement of worn parts should be carried out by qualified service personnel. If the product fails and there is no information in the operating instructions on how to fix the issue, contact the service department.

Malfunction	Possible Cause	Solutions
Bolts/nuts are not loosening	Low air supply	Increase air supply
	Incorrect position of the direction switch or torque level disc switch	Check the position of the the direction switch or torque level disc switch and adjust it as necessary according to the required working conditions
	Worn out interchangeable socket head	Replace the interchangeable socket head
	Low working pressure	Increase working pressure, but never exceed the maximum allowable working pressure of 6.3 bar
	Small diameter of the air hose	Use a proper air hose with a diameter of 9 mm
Interchangeable socket head falls off the square drive	Worn out interchangeable socket head	Replace the interchangeable socket head
	Faulty or missing retaining ring	Check the retaining ring and replace it if necessary

5. LIMIT STATES, CRITICAL STATES, AND PERSONNEL ACTIONS

Erroneous actions by personnel that lead to an incident or accident:

To prevent erroneous actions, personnel must carefully study the operating manual before using the device. Adhering to the requirements and recommendations of the manual will prevent potential errors while working with the tool, ensure optimal device performance, and extend its service life.

Major Erroneous Actions:

- Starting operation without reading the manual and familiarizing oneself with the device.
- Leaving the operating device unattended.
- Allowing persons (including children) with reduced physical, sensory, or mental

capabilities or lack of experience or knowledge to use the device.

- Not using personal protective equipment (ear protection, goggles, or facemask) during operation.
- List of Critical Failures:
- Malfunction of control elements.
- Critical wear of working components.

Personnel Actions in Case of an Incident, Critical Failure, or Accident:

In the event of an incident, critical failure, and/or accident, cease all operations and assess the cause of the incident. If the equipment fails and there is no information in the operating manual on how to fix the issue, contact the service department. Replacement of worn parts should be carried out by qualified service personnel.

Criteria for Limit State:

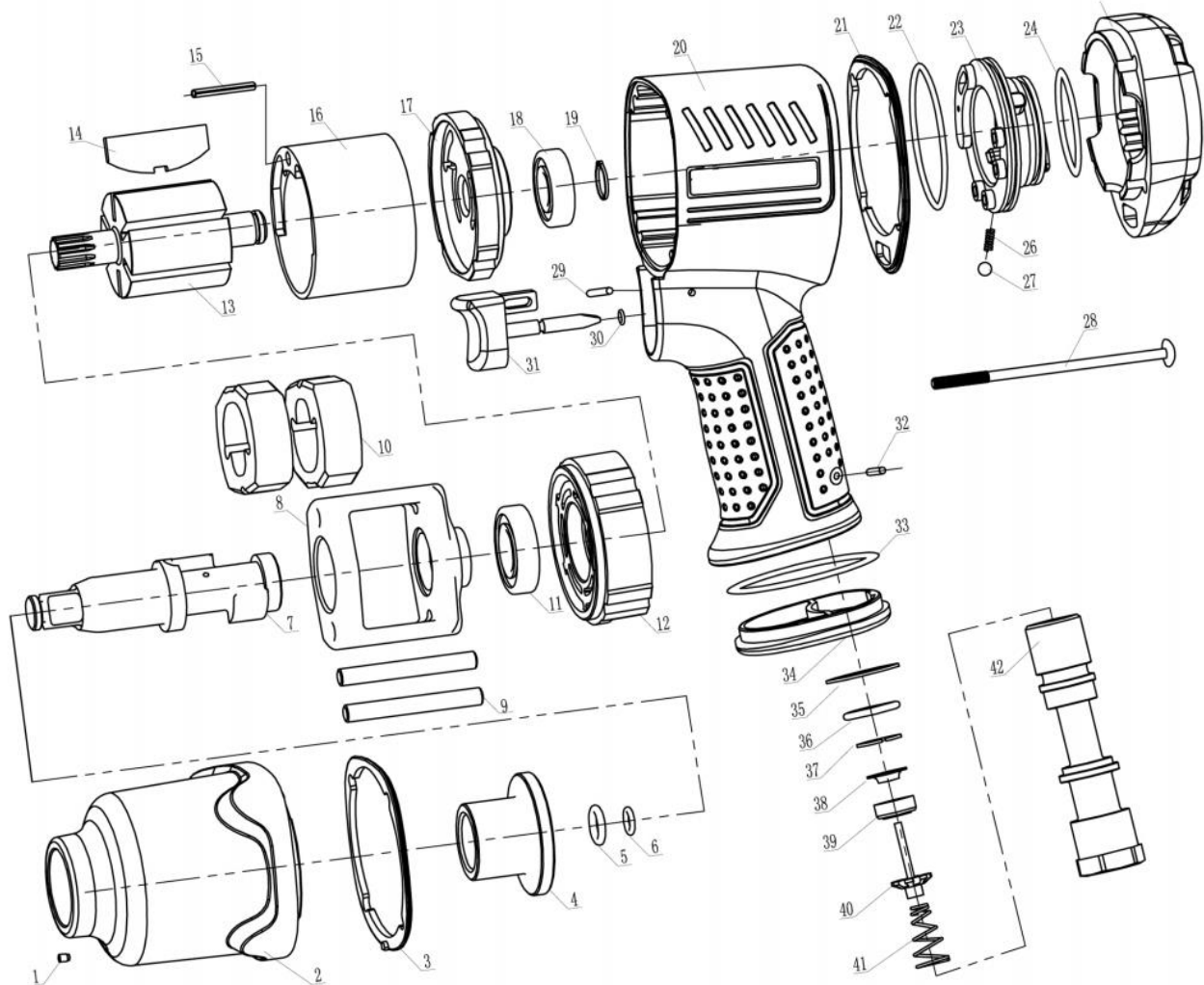
- Irreversible deformation of parts (assemblies) preventing normal operation of the equipment.
- Achievement of designated performance indicators.
- Distortion of the geometric shape and dimensions of parts, hindering normal function.
- Irreversible destruction of parts due to corrosion, erosion, and material aging.

6. TECHNICAL DATA

Maximum working pressure	6,3 bar
Air consumption	150 l/min
Maximum torque (tightening)*	1300 Nm
Working torque (tightening for 3-5 seconds)*	950 Nm
Maximum torque (loosening)*	1200 Nm
Speed settings (% torque)	1 (50%) / 2 (85%) / 3 (100%)
No-load speed	7500 rpm
Maximum thread size for tightening	M18
Impact mechanism	twin hammer
Noise generation (according to EN ISO 15744:2008)	
Sound power level (L _{wA})	84.4 dB(A) / k = 3 dB(A)
Sound pressure level (L _{pA})	95.4 dB(A) / k = 3 dB(A)
Vibration (according to EN 28662-1, EN ISO 8662-7)	8.47 m/s ² / k = 1.33 m/s ²
Size of square drive	1/2"
Nipple thread	1/4" IG
Recommended diameter of air hose*	Ø 10 mm
Quality of compressed air	purified and oil-enriched
Weight	2.1 kg

*Note: For best results, use a 10 mm section "Christmas tree" type connector and a direct connection of the corresponding hose. Performance loss is possible on the quick-release connection.

7. EXPLODED VIEW AND PARTS LIST



- 1 Grease nipple
- 2 Front housing
- 3 Sealing washer
- 4 Bushing
- 5 Ring
- 6 Ring
- 7 Rod
- 8 Frame
- 9 Pin
- 10 Hammer
- 11 Oil seal
- 12 Front base
- 13 Rotor
- 14 Rotor blade

- 15 Pin
- 16 Cylinder
- 17 Rear base
- 18 Bushing
- 19 Gasket
- 20 Main housing
- 21 Gasket
- 22 Ring
- 23 Switch
- 24 Ring
- 25 Rear cover
- 26 Spring
- 27 Ball
- 28 Screw

- 29 Pin
- 30 Ring
- 31 Trigger
- 32 Pin
- 33 Ring
- 34 Lower cover
- 35 Washer
- 36 Ring
- 37 Stopper
- 38 Cover
- 39 Valve ring
- 40 Valve
- 41 Spring
- 42 Connector

¡Estimado cliente!

Este manual contiene instrucciones importantes para el uso óptimo y seguro de la llave de impacto neumática. Antes de utilizar la llave de impacto neumática, lea y comprenda el manual del usuario.

Símbolo Significado en el manual y en el dispositivo

	¡Advertencia! Siga todas las instrucciones de seguridad marcadas con este símbolo. El incumplimiento puede provocar daños graves e irreversibles a la salud, así como importantes daños materiales.
	¡Nota importante! Este símbolo indica instrucciones importantes que se deben seguir para el funcionamiento perfecto de esta herramienta. Sólo así se pueden evitar posibles fallos de funcionamiento.
	Información útil! Este símbolo proporciona información explicativa y consejos necesarios para el uso óptimo de esta herramienta.
	¡Atención! Lea el manual del usuario antes de comenzar la operación.
	¡Usa protección auditiva!
	¡Usa gafas de seguridad!
	¡Usa guantes protectores!
	¡Usa protección respiratoria!

Este manual ha sido compilado con la máxima precisión. Nos reservamos el derecho de optimizar y adaptar técnicamente este manual en cualquier momento. Las imágenes y algunos datos pueden diferir del producto real.

La llave de impacto está diseñada para aflojar y apretar tuercas y pernos utilizando un casquillo intercambiable adecuado. Esta llave

tiene un torque ajustable. El dispositivo funciona únicamente con aire comprimido. No exceda la presión de trabajo máxima permitida de 6,3 bar. La conexión a la fuente de suministro de aire se realiza a través de una boquilla roscada (incluida) y un acoplamiento de liberación rápida. El aire de escape se descarga hacia abajo junto al tubo de suministro de aire. Cambiar los accesorios (enchufe y extensión) es rápido y sencillo.

El uso inadecuado o incorrecto se considera uso no previsto y anula la garantía.

1. NORMAS DE SEGURIDAD IMPORTANTES

Aplicaciones prohibidas

- No utilice el dispositivo en entornos explosivos que contengan sustancias como líquidos, gases, nubes de polvo y pinturas inflamables.
- Trabajar en entornos potencialmente explosivos requiere atención especial.
- Nunca utilice oxígeno u otros gases inflamables como fuente de energía.
- Las herramientas rotativas de impacto manuales generalmente carecen de aislamiento cuando entran en contacto con fuentes de energía eléctrica.
- Antes de comenzar a trabajar, asegúrese de que no haya riesgo de contacto con cables de alta tensión, tuberías de gas y tuberías de agua.

Instrucciones generales de seguridad

- Las herramientas intercambiables en algunos tipos de máquinas rotativas de impacto que operan bajo cargas pesadas, como los taladros percutores, se deforman rápidamente debido a estas cargas y pueden fallar después de un largo período de uso.
- Un movimiento involuntario de la máquina o daños en la herramienta intercambiable pueden provocar lesiones.
- Es posible que posturas incorrectas no permitan contrarrestar el movimiento normal o involuntario de la máquina. Adopte una

- postura que proporcione estabilidad en caso de que falle la herramienta intercambiable.
- Se recomienda utilizar recolectores de polvo o lavado con agua.
 - Las máquinas manuales deben desconectarse de la fuente de alimentación antes de cambiar la herramienta intercambiable.
 - Puede ocurrir un momento reactivo al operar una máquina manual.
 - Existe riesgo de enredarse (pelo o ropa) al girar la herramienta intercambiable.
 - Existe riesgo de daños en las mangueras de aire comprimido.
 - Las posturas correctas garantizan eficazmente la seguridad del operador en caso de rotura de la herramienta.
 - El dispositivo de arranque/parada se apaga (vuelve a la posición de parada) en caso de interrupción del suministro eléctrico.
 - Utilice lubricantes únicamente según lo recomendado por el fabricante.
 - Siga las normas generales de seguridad y prevención de accidentes. Además de las instrucciones de este manual de usuario, observe las instrucciones de seguridad y prevención de accidentes del empleador.
 - Familiarizar a terceros con el manual de usuario. Asegúrese de que terceros utilicen este dispositivo sólo después de recibir todas las instrucciones necesarias.
 - Mantenga alejados a los niños y asegúrese de que el dispositivo no pueda ser utilizado por personas no autorizadas . Nunca deje la herramienta desatendida . No se debe permitir que los niños utilicen este producto. Asegúrese de que personas no autorizadas no puedan utilizar este producto.
 - La herramienta no está diseñada para que la utilicen personas (incluidos niños) con capacidades físicas, sensoriales o mentales reducidas, o con falta de experiencia y conocimiento, a menos que estén supervisadas o instruidas sobre el uso del dispositivo por una persona responsable de su seguridad. Se debe supervisar a los niños para evitar que jueguen con la herramienta.
 - Manténgase alerta y concentrado mientras trabaja. No realice ningún trabajo con esta herramienta si ha perdido la concentración, está enfermo o bajo la influencia de drogas, alcohol o medicamentos. Perder la atención al utilizar esta herramienta puede provocar accidentes y lesiones graves.
 - Garantizar condiciones seguras. Preste atención al estado impecable y seguro de la herramienta durante el trabajo. Los movimientos inesperados del mecanismo provocados por fuerzas reactivas pueden provocar lesiones graves.
 - Esté atento a los daños. Compruebe la herramienta para detectar posibles daños antes de comenzar a utilizarla. Si se detecta algún mal funcionamiento , no utilice la herramienta.
 - No utilice objetos punzantes. Nunca inserte objetos afilados y/o metálicos dentro de la herramienta.
 - Úselo sólo según lo previsto. Utilice la llave únicamente para los fines descritos en este manual del usuario. Está prohibido el uso no autorizado .
 - Verifique periódicamente. Durante el uso, algunas partes de la herramienta pueden desgastarse. Por lo tanto, revise periódicamente la herramienta para detectar posibles daños y mal funcionamiento. Preste especial atención al anillo de retención.
 - Utilice únicamente repuestos originales. Para su seguridad, utilice únicamente los equipos y accesorios especificados en el manual del usuario o recomendados por el fabricante.
 - No lo utilice en ambientes explosivos. No utilice la herramienta en entornos explosivos que contengan sustancias como líquidos inflamables, gases y especialmente nubes de polvo y pinturas. Estas sustancias pueden inflamarse al entrar en contacto con superficies calientes de la herramienta.



Instrucciones de seguridad específicas

- Desconecte con cuidado el acoplamiento de liberación rápida. Al desconectar el acoplamiento de liberación rápida, sujete firmemente la manguera de aire para evitar daños causados por el retroceso de la manguera.
- Utilice ropa de trabajo adecuada. No use ropa holgada ni joyas. Pueden quedar atrapados en las piezas móviles. Si tienes el

pelo largo, utiliza una prenda para cubrir la cabeza o una redecilla.

- Utilice gafas de seguridad. Utilice gafas de seguridad adecuadas para proteger sus ojos. Los pernos, tuercas o casquillos que salen volando pueden causar lesiones graves. En caso de avería del enchufe instalado, los fragmentos se expulsan a gran velocidad.
- Evite el ralentí. No opere la herramienta al ralentí para evitar la expulsión incontrolada de casquillos intercambiables, etc.
- Utilice protección respiratoria. Utilice constantemente protección respiratoria adecuada. Durante el funcionamiento, el aire puede contaminarse con sustancias nocivas como polvo, aceite y otros líquidos y partículas.
- Utilice protección auditiva. Los niveles de ruido en el lugar de trabajo superan los 90 dB(A). Por lo tanto, utilice siempre protección auditiva adecuada.
- Utilice guantes protectores. Las vibraciones bajo carga pueden provocar lesiones. Para un control óptimo de la herramienta, use guantes protectores adecuados.
- Desconéctelo del suministro de aire. Durante el mantenimiento, reparación, transporte o cambio de casquillo, la herramienta no debe estar bajo presión.
- Utilice únicamente aire comprimido. Como fuente de energía, utilice únicamente aire comprimido. Nunca utilice oxígeno u otros gases inflamables.
- No exceda la presión máxima de trabajo. Utilice un reductor de presión (regulador) para ajustar la presión de trabajo. No exceda la presión de trabajo máxima permitida de 63 bar.
- No toque las piezas giratorias. Nunca toque las piezas giratorias. Los dedos o las manos pueden lesionarse .
- Compruebe el enchufe. Antes de cada uso, verifique el casquillo de herramienta instalado. No utilice enchufes intercambiables y/o alargadores que no se encuentren en perfecto estado.

Antes de conectar la herramienta al compresor, asegúrese de que el interruptor de presión del compresor esté en la posición "OFF".

Utilice siempre protección para los ojos que cumpla con los requisitos de seguridad al

operar herramientas neumáticas. Utilice un respirador diseñado para tales fines cuando se genere polvo .

¡ADVERTENCIA! Algunos tipos de polvo generados por esmerilado, corte, fresado, perforación y otros trabajos de construcción mecánicos contienen sustancias que pueden causar cáncer, defectos congénitos y daños reproductivos:

- Plomo en pinturas a base de plomo;
- Sílice cristalina en ladrillos, cemento y otros productos de albañilería;
- Arsénico y cromo en madera tratada químicamente.

El grado de riesgo potencial de exposición varía según la frecuencia con la que se realizan estos tipos de trabajos. Para reducir la exposición a estos químicos, trabaje en áreas bien ventiladas y use equipo de seguridad, como máscaras antipolvo diseñadas para filtrar partículas microscópicas.

Utilice únicamente accesorios destinados al uso con herramientas neumáticas. Antes de cambiar accesorios, realizar el mantenimiento de la herramienta o cuando la herramienta no esté en uso, asegúrese de que esté desconectada del suministro de aire.

Cuando opere la herramienta, no use ropa holgada ni joyas que puedan quedar atrapadas en las piezas móviles y causar lesiones. Utilice la herramienta a una distancia segura de usted y de otras personas en el área de trabajo.

Conecte el sistema de escape. Asegúrese de que los dispositivos de eliminación de polvo disponibles estén conectados y funcionen correctamente. Siga las normas de seguridad locales al manipular polvos y vapores peligrosos. La operación y el mantenimiento de herramientas neumáticas se deben realizar siguiendo las recomendaciones de este manual utilizando los accesorios especificados para minimizar las emisiones de polvo y humo. Aire de escape directo para minimizar el remolino de polvo en habitaciones polvorientas.

Nunca dirija la corriente de aire hacia usted mismo o hacia otras personas.

Antes de cada uso de la herramienta neumática, comprobar minuciosamente el

correcto funcionamiento de los dispositivos de seguridad o de las piezas que se dañan fácilmente. Verifique que las piezas móviles funcionen correctamente y no tengan atascos ni daños.

Utilice únicamente accesorios y herramientas adicionales especificados en el Manual del usuario o recomendados por el fabricante. El uso de otros accesorios o herramientas adicionales aumenta el riesgo de lesiones.

No repare herramientas neumáticas usted mismo. Las reparaciones deben ser realizadas únicamente por especialistas calificados .

No realice modificaciones en la herramienta neumática. Dichas modificaciones pueden reducir la eficacia de las medidas de seguridad y aumentar los riesgos para los usuarios.

Utilice equipo de protección personal adecuado: protectores auditivos, gafas de seguridad, respirador (cuando trabaje con materiales que generen polvo), guantes protectores (cuando manipule materiales ásperos y cambie herramientas de trabajo).

Trabajar con herramientas neumáticas requiere una concentración total. No empieces a trabajar si estás distraído. El usuario y el personal de mantenimiento deben estar físicamente aptos para trabajar con esta herramienta considerando su tamaño, peso y potencia.



Peligros debidos a piezas voladoras

- Los daños a la pieza de trabajo , a la herramienta intercambiable o al equipo pueden provocar una expulsión a alta velocidad.
- En caso de fallo de la pieza de trabajo , de los accesorios o de la herramienta neumática, las piezas pueden salir despedidas a gran velocidad.
- Desconecte la herramienta neumática del suministro de aire comprimido antes de cambiar la herramienta/accesorios intercambiables, ajustar o realizar mantenimiento.
- Asegúrese de que la pieza de trabajo está bien sujeto .
- El operador debe asegurarse de que no haya transeúntes cerca.

- Utilice un casco protector para trabajos por encima de la cabeza.
- Al operar, reemplazar accesorios y durante la reparación o mantenimiento de herramientas neumáticas, use siempre gafas protectoras resistentes a impactos. El nivel de protección requerido debe evaluarse individualmente para cada caso.



Peligros debidos a enredos

- Trabajar con ropa adecuada (especializada). No use ropa holgada ni joyas. Mantenga el cabello, la ropa y los guantes alejados de las piezas giratorias de la herramienta neumática. ¡La ropa suelta, las joyas o el cabello largo pueden quedar atrapados en ellos, lo que supone un riesgo de lesiones !
- El elemento de accionamiento en funcionamiento puede enganchar los guantes, lo que puede provocar lesiones graves en las manos.
- Durante el funcionamiento, los elementos de accionamiento giratorios (mandriles) y los elementos de extensión pueden engancharse o enredarse fácilmente alrededor de guantes protectores de goma o reforzados con metal.
- No utilice guantes holgados o desgastados, ni guantes con los dedos cortados.
- Está estrictamente prohibido sujetar el accionamiento, el mandril o la extensión del accionamiento.
- Mantenga las manos a una distancia segura del elemento de accionamiento en funcionamiento.



Peligros operativos

- Durante el funcionamiento de la máquina, las manos del operador pueden estar expuestas a peligros, incluidos impactos, cortes, abrasiones y efectos térmicos. Se deben usar guantes especiales para proteger las manos.
- Los operadores y el personal de mantenimiento deben ser físicamente capaces de manejar el tamaño, el peso y la potencia de la máquina.
- Sostenga la máquina correctamente. Esté preparado para contrarrestar movimientos

normales o bruscos, con ambas manos preparadas.

- Mantenga el equilibrio del cuerpo y asegure una posición estable.
- Desactive el dispositivo de arranque/parada en caso de interrupción del suministro eléctrico.
- Utilice únicamente lubricantes recomendados por el fabricante.
- Se deben utilizar gafas protectoras, guantes adecuados y ropa protectora recomendada .
- Inspeccione los cabezales antes de cada uso. No utilizar si están agrietados o dañados.
- Evite el contacto directo con las piezas móviles para evitar pellizcos o cortes en las manos u otras partes del cuerpo. Utilice guantes adecuados para proteger las manos.
- Existe riesgo de descarga electrostática si se utilizan plásticos y materiales no conductores.
- Las atmósferas potencialmente explosivas pueden ser causadas por el polvo y los vapores resultantes del esmerilado o el acabado. Utilice sistemas de recogida o extracción de polvo adecuados a la pieza de trabajo .



Peligros de movimientos repetitivos

- Al trabajar con la herramienta, el operador puede sentir molestias en las manos, antebrazos, cuello u otras partes del cuerpo.
- Se recomienda que el operador asuma una postura cómoda, manteniendo un pie estable y evitando posiciones desequilibradas al utilizar la herramienta. El operador debe cambiar de posición durante el trabajo prolongado para evitar molestias y fatiga.
- Si el operador siente molestias, dolor, entumecimiento o sensación de ardor persistentes o periódicos, no se deben ignorar estos síntomas de advertencia . El operador debería informar al empleador y buscar atención médica calificada.



Peligros de herramientas auxiliares

- Desconecte la herramienta neumática de la fuente de energía antes de instalar herramientas o accesorios intercambiables.
- Evite el contacto directo con herramientas intercambiables durante y después de su uso, ya que pueden estar calientes o afiladas.
- Utilice únicamente los tamaños y tipos de accesorios y consumibles recomendados por el fabricante; no utilice otros tipos o tamaños.
- Utilice únicamente herramientas intercambiables intactas. El uso de herramientas intercambiables dañadas puede provocar que los fragmentos salgan disparados en diferentes direcciones.



Peligros de polvo y vapor

- El polvo y los vapores creados durante el uso del dispositivo pueden causar deterioro de la salud (p. ej., cáncer, defectos de nacimiento, asma y/o dermatitis). La evaluación de riesgos y las medidas de control adecuadas para estos peligros son obligatorias.
- La evaluación de riesgos debe incluir el polvo creado durante el uso de la máquina y la posibilidad de eliminar el polvo existente.
- Opere y mantenga el dispositivo según lo recomendado en las instrucciones para minimizar las emisiones de polvo o humo.
- Dirija el escape para minimizar el impacto del polvo en un ambiente cargado de polvo.
- Se debe dar prioridad al control del polvo y los vapores creados en el punto de emisión.
- Todas las piezas integradas o accesorios para recolección, extracción o supresión de polvo deben usarse y mantenerse adecuadamente de acuerdo con las instrucciones del fabricante .
- Seleccione, mantenga y reemplace los consumibles/herramientas intercambiables según lo recomendado en el manual del usuario para evitar aumentos de polvo no deseados.
- Utilice protección respiratoria de acuerdo con las instrucciones del empleador y las normas de salud y seguridad.



Peligros del ruido

- La exposición a niveles elevados de ruido puede provocar pérdida de audición y otros problemas, como tinnitus (timbres, zumbidos, silbidos). Es necesaria una evaluación de riesgos y medidas de control adecuadas para estos peligros.
- Las medidas de control adecuadas para reducir el riesgo pueden incluir el uso de materiales amortiguadores para evitar el ruido de la pieza de trabajo.
- Utilice protección auditiva de acuerdo con las instrucciones del empleador y las normas de salud y seguridad.
- Opere y mantenga el dispositivo de acuerdo con el manual del usuario o las instrucciones para evitar aumentos de ruido no deseados.
- Seleccione, mantenga y reemplace los consumibles/herramientas intercambiables según lo recomendado en el manual del usuario para evitar aumentos de ruido no deseados.



Peligros de vibración

- La exposición a vibraciones puede causar daño a los nervios y problemas de circulación sanguínea en las manos y antebrazos.
- Use ropa abrigada cuando trabaje en condiciones frías y mantenga las manos calientes y secas.
- Mantenga las manos alejadas de los portabrocas de las llaves de impacto.
- Si se produce entumecimiento, hormigueo, dolor o blanqueamiento de la piel de los dedos o las palmas, deje de operar la máquina esmeriladora o pulidora, informe al empleador y busque atención médica.
- Opere y mantenga el dispositivo como se indica en el manual del usuario para evitar aumentos involuntarios del nivel de vibración.
- Evite la vibración de herramientas intercambiables al procesar la pieza de trabajo, ya que esto puede aumentar significativamente la vibración.
- Sujete la herramienta con un agarre ligero pero seguro, teniendo en cuenta

la fuerza de reacción necesaria de la mano, porque el riesgo de vibración suele ser mayor con un agarre más fuerte.



Instrucciones de seguridad adicionales para herramientas neumáticas

- El aire comprimido puede causar lesiones graves.
- Se debe desconectar el suministro de aire, desconectar la manguera de aire y desconectar la herramienta de la fuente de suministro de aire cuando no esté en uso, antes de cambiar accesorios o durante reparaciones.
- No dirija el aire hacia usted ni hacia nadie más.
- Las mangueras flexibles pueden causar lesiones graves. Se deben revisar las mangueras para detectar daños y accesorios sueltos.
- Cuando se utilizan acoplamientos universales (acoplamientos de garra), se deben instalar pasadores de bloqueo y se deben usar mangueras con acoplamientos de seguridad para proteger contra posibles rupturas de la conexión de manguera a herramienta y de manguera a manguera.
- No exceda la presión de aire máxima indicada en la herramienta.
- Está prohibido llevar una herramienta neumática por la manguera.

2. FUNCIONAMIENTO

Desembalaje del juego de entrega

Después de abrir el embalaje, compruebe que el juego de entrega esté completo y su estado. En caso de entrega incompleta o deficiencias detectadas, contacte inmediatamente con el proveedor.

Conservar el embalaje original durante toda la vida útil del producto. Deseche el embalaje sólo después de que haya finalizado la vida útil del producto.

El set de entrega incluye:

Llave de impacto neumática – 1 pieza ;
Vasos de impacto de 1/2 pulgada - 3 uds.
(17/19/21 mm);

Tetina de liberación rápida ¼" AG – 1 ud.
Aceite para herramientas neumáticas – 1 tubo

Descripción general del dispositivo



Figura 1:

1. Manejar
2. Palanca de disparo para encender y apagar el dispositivo.
3. Cuadradillo de ½" para cabezas huecas intercambiables
4. Interruptor combinado (dirección de rotación y nivel de torsión)
5. Boquilla roscada IG de ¼"

Iniciando operación

Antes del primer uso, el dispositivo debe lubricarse con aceite para minimizar la fricción. Para hacer esto:

- Agregue de 3 a 5 gotas de aceite en el tubo de entrada de aire mientras presiona la palanca del gatillo.
- Para un funcionamiento prolongado, se recomienda instalar un mini engrasador ECO AU-04B (no incluido).
- Selle las roscas del mini engrasador y de la boquilla con cinta selladora y atornille el mini engrasador en la boquilla.
- Llene el miniaceite con aceite especial, desenrosque el tornillo de ranura en cruz del miniaceite y vierta aceite en la abertura.
- Conecte el acoplamiento de liberación rápida de la manguera de suministro de aire (no incluida) a la boquilla roscada. Se colocará en su lugar automáticamente.
- Asegúrese de que el sistema de suministro de aire esté equipado con una unidad de preparación de aire.

Operación

Seleccione el cabezal de casquillo intercambiable necesario e instálelo en el cuadrado (ver Fig. 1, pos. 3). Asegúrese de que el accesorio esté bien sujeto en el cuadrado.



Asegúrese de que la presión del sistema de suministro de aire no supere los 6,3 bar . Superar la presión no aumenta la potencia, solo aumenta el consumo de aire comprimido y acelera el desgaste del dispositivo. Después de eso, encienda el compresor.

Apriete ligeramente el perno o la tuerca con la llave de impacto neumática. Luego apriete firmemente el perno o la tuerca según los requisitos de resistencia utilizando una llave dinamométrica.

Tenga en cuenta que apretar demasiado los pernos o tuercas fabricados con materiales blandos, como el aluminio, puede dañar las roscas.

Configuración de la dirección de rotación

Configure la dirección de rotación requerida colocando el interruptor (Fig. 1, pos. 4) en la posición izquierda para aflojar o en la posición derecha para apretar.



Fig. 2: Configuración de la dirección de rotación

- Para apretar los pernos, gire el interruptor (ver Fig. 2) ubicado en la parte posterior de la llave a la posición correcta para rotación hacia la derecha.
- Para aflojar los pernos, gire el interruptor a la posición izquierda. El dispositivo cambia a rotación hacia la izquierda (en el sentido contrario a las agujas del reloj, Fig. 2).

Configuración del par

El ajuste del torque también se realiza usando el interruptor combinado (Fig. 2). Para hacer esto, cambie la posición del interruptor a la configuración deseada:

•	50% de torsión
•	85% de torsión
●	100% par



Desconecte siempre el dispositivo del sistema de suministro de aire comprimido antes de cambiar accesorios y antes de realizar cualquier operación de mantenimiento.

Apagar el dispositivo

- Para interrumpir el trabajo, suelte la palanca del gatillo.
- Desconecte la llave de impacto neumática del sistema de suministro de aire comprimido después de terminar el trabajo.



Sujete firmemente la manguera de aire al desconectar el acoplamiento de liberación rápida para evitar un retroceso incontrolado de la manguera de aire.

Almacenamiento

- Proteja la llave de impacto neumática del polvo, la suciedad y los insectos. Embale siempre el dispositivo en el estuche de transporte suministrado.
- Almacenar en un lugar seco, calentado y ventilado, protegido de ácidos, vapores alcalinos y sustancias que formen polvo, a una temperatura no inferior a +5°C y una humedad relativa no superior al 70%.



Embale la llave de impacto sólo después de que se haya enfriado por completo.

Embalaje para transporte

Siempre empaque la llave de impacto en el estuche de transporte (incluido) durante el transporte para evitar posibles daños.

El transporte deberá realizarse mediante transporte cubierto de cualquier tipo, garantizando la seguridad del equipo, de

acuerdo con las normas de transporte de carga aplicables al tipo de transporte utilizado.

Desecho



Este símbolo significa que al final de la vida útil del dispositivo, no debe desecharse con la basura doméstica normal. Lleve el dispositivo a un punto de recogida oficial para su reciclaje. Al hacerlo, ayudas a preservar el medio ambiente.

3. LUBRICACIÓN Y MANTENIMIENTO

Inicie las operaciones de limpieza y mantenimiento sólo después de que el dispositivo se haya enfriado por completo. Antes de la limpieza y/o mantenimiento, asegúrese de desconectar el dispositivo del sistema de suministro de aire comprimido.

Limpieza

Para evitar la contaminación, la llave de impacto neumática debe guardarse en el estuche de transporte suministrado después de cada uso.



Embale la llave de impacto sólo después de que se haya enfriado por completo.

Si aún es necesario limpiar la llave, siga estas recomendaciones:

- Limpie el dispositivo con un paño suave y seco o con aire comprimido.
- Nunca utilice agentes de limpieza corrosivos y/o abrasivos.

Mantenimiento

El aire preparado adecuadamente es esencial para el funcionamiento impecable y la larga vida útil de esta llave de impacto neumática. Cuando se utiliza el mini engrasador suministrado, el dispositivo se lubrica automáticamente durante el funcionamiento. Compruebe periódicamente el nivel de aceite y añada aceite al engrasador si es necesario. Antes de cada uso, agregue de 3 a 5 gotas de aceite especial para herramientas neumáticas en la entrada de aire. Presione la palanca del gatillo mientras hace esto. Después de que el dispositivo haya estado inactivo durante más de 5 días, agregue de 5 a 10 gotas de aceite especial para herramientas neumáticas en la

entrada de aire antes de encender el dispositivo.



durante las reparaciones y el mantenimiento sólo se deben utilizar repuestos originales .

Limpieza y Mantenimiento por Especialistas

Las operaciones de mantenimiento no enumeradas en la Sección 4 solo deben realizarse en un centro de servicio autorizado. Si el mantenimiento lo realiza personal no autorizado dentro de los primeros 12 meses,

todas las obligaciones de garantía del proveedor (fabricante) quedarán anuladas.

4. SOLUCIÓN DE PROBLEMAS

Durante su vida útil, ciertos elementos y partes del producto se desgastarán inevitablemente (agotamiento total de recursos, contaminación interna o externa severa). El reemplazo de piezas desgastadas debe ser realizado por personal de servicio calificado . Si el producto falla y no hay información en las instrucciones de funcionamiento sobre cómo solucionar el problema, comuníquese con el departamento de servicio.

Funcionamiento defectuoso	Posible causa	Soluciones
Los pernos/tuercas no se aflojan	Suministro de aire bajo	Aumentar el suministro de aire
	Posición incorrecta del interruptor de dirección o del interruptor de disco de nivel de par	Verifique la posición del interruptor de dirección o del interruptor de disco de nivel de torsión y ajústelo según sea necesario de acuerdo con las condiciones de trabajo requeridas.
	Cabeza hueca intercambiable desgastada	Reemplace el cabezal zócalo intercambiable
	Baja presión de trabajo	Aumente la presión de trabajo, pero nunca supere la presión de trabajo máxima permitida de 6,3 bar.
La cabeza hueca intercambiable se cae del cuadro de mando	Pequeño diámetro de la manguera de aire.	Utilice una manguera de aire adecuada con un diámetro de 9 mm.
	Cabeza hueca intercambiable desgastada	Reemplace el cabezal zócalo intercambiable
	Anillo de retención defectuoso o faltante	Compruebe el anillo de retención y reemplácelo si es necesario.

5. ESTADOS LÍMITE, ESTADOS CRÍTICOS Y ACCIONES DEL PERSONAL

Actuaciones erróneas del personal que provocan un incidente o accidente:

Para evitar acciones erróneas, el personal debe estudiar detenidamente el manual de funcionamiento antes de utilizar el dispositivo. Cumplir con los requisitos y recomendaciones del manual evitará posibles errores al trabajar con la herramienta, garantizará un rendimiento óptimo del dispositivo y extenderá su vida útil.

Principales acciones erróneas:

- Iniciar el funcionamiento sin leer el manual y sin familiarizarse con el dispositivo.
- Dejar el dispositivo operativo desatendido.
- Permitir que personas (incluidos niños) con capacidades físicas, sensoriales o mentales reducidas o con falta de experiencia o conocimiento utilicen el dispositivo.
- No utilizar equipo de protección personal (protección auditiva, gafas o mascarilla) durante la operación.
- Lista de fallas críticas:
- Mal funcionamiento de los elementos de control.

- Desgaste crítico de los componentes de trabajo.

Acciones del Personal en Caso de Incidente, Falla Crítica o Accidente:

En caso de incidente, falla crítica y/o accidente, cese todas las operaciones y evalúe la causa del incidente. Si el equipo falla y no hay información en el manual de operación sobre cómo solucionar el problema, comuníquese con el departamento de servicio. El reemplazo de piezas desgastadas debe ser realizado por personal de servicio calificado .

Criterios para el Estado Límite:

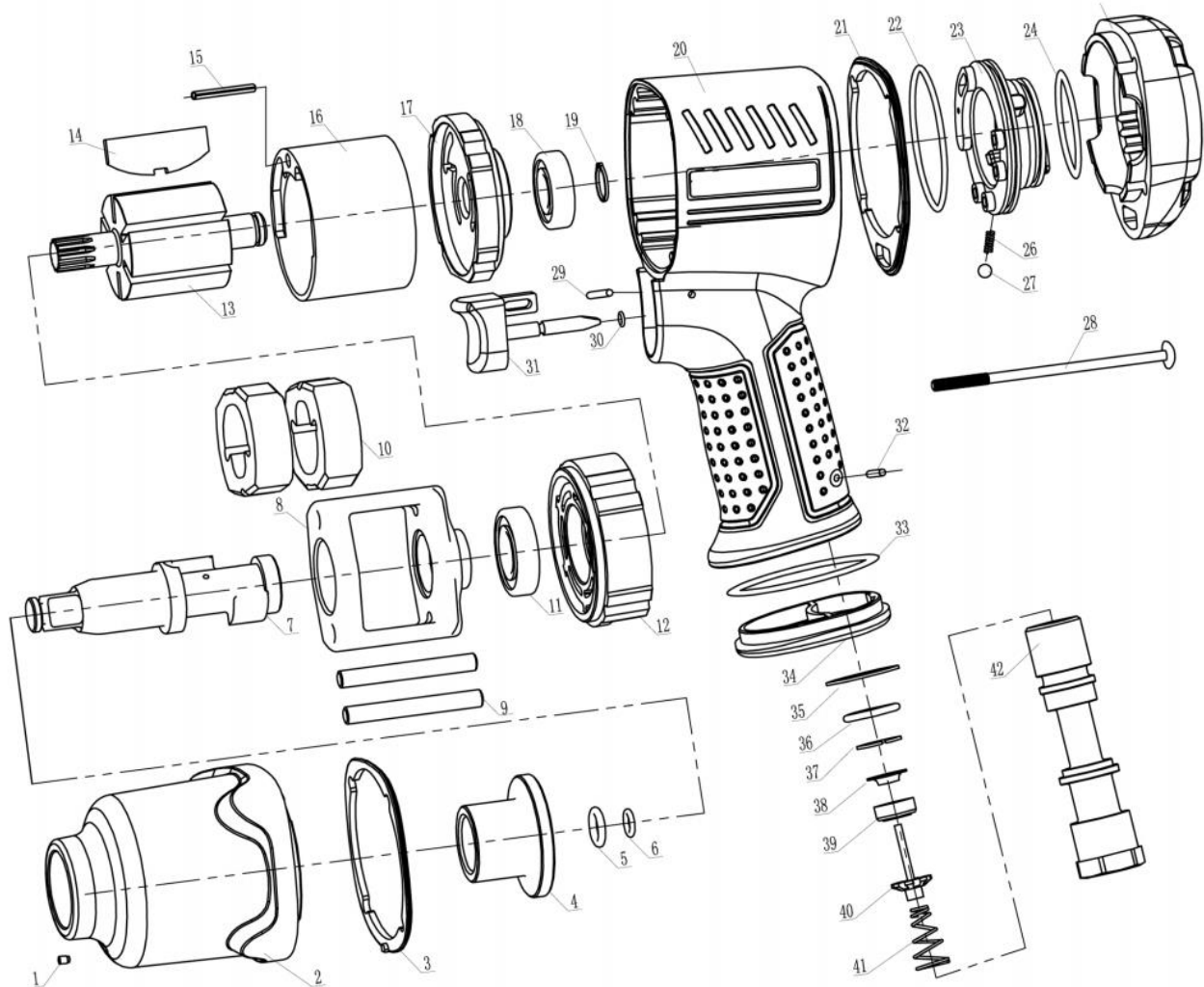
- Deformación irreversible de piezas (conjuntos) que impiden el funcionamiento normal del equipo.
- Logro de los indicadores de desempeño designados.
- Distorsión de la forma geométrica y las dimensiones de las piezas, dificultando el funcionamiento normal.
- Destrucción irreversible de piezas por corrosión, erosión y envejecimiento del material.

6. DATOS TÉCNICOS

Presión máxima de trabajo	6,3 barras
Consumo de aire	150 l/min
Par máximo (apriete)*	1300 Nm
Par de trabajo (apretando durante 3-5 segundos)*	950 Nm
Par máximo (aflojamiento)*	1200 Nm
Ajustes de velocidad (% de par)	1 (50%) / 2 (85%) / 3 (100%)
Velocidad sin carga	7500 rpm
Tamaño máximo de rosca para apretar	M18
Mecanismo de impacto	twin hammer (doble martillo)
Generación de ruido (según EN ISO 15744:2008)	
Nivel de potencia sonora (LwA)	84,4 dB(A) / k = 3 dB(A)
Nivel de presión sonora (LpA)	95,4 dB(A) / k = 3 dB(A)
Vibración (según EN 28662-1, EN ISO 8662-7)	8,47 m/s ² / k = 1,33 m/s ²
Tamaño del cuadrado	1/2"
hilo de pezón	1/4" IG
Diámetro recomendado de la manguera de aire*	Ø 10mm
Calidad del aire comprimido	purificado y enriquecido con aceite
Peso	2,1 kilogramos

*Nota: Para obtener mejores resultados, utilice un conector tipo "árbol de Navidad" de sección de 10 mm y una conexión directa de la manguera correspondiente. Es posible que se pierda rendimiento en la conexión de liberación rápida.

7. VISTA DE DESPIECE Y LISTA DE PIEZAS



- 1 engrasador
- 2 carcasa frontal
- 3 Arandela de sellado
- 4 casquillo
- 5 anillo
- 6 anillo
- 7 varilla
- 8 marco
- 9 pines
- 10 martillo
- 11 Sello de aceite
- 12 Base delantera
- 13 rotores
- 14 palas del rotor









- 15 pines
- 16 cilindros
- 17 Base trasera
- 18 Buje
- 19 Junta
- 20 Vivienda principal
- 21 Junta
- 22 anillo
- 23 Cambiar
- 24 anillo
- 25 Tapa trasera
- 26 primavera
- 27 bola
- 28 tornillo

- 29 pines
- 30 anillo
- 31 gatillo
- 32 pines
- 33 anillo
- 34 Tapa inferior
- 35 Lavadora
- 36 anillo
- 37 Tapón
- 38 Portada
- 39 Anillo de válvula
- 40 válvula
- 41 primavera
- 42 Conector

प्रिय ग्राहक!

इस मैनुअल में न्यूमेटिक इम्पैक्ट रिंच के इष्टतम और सुरक्षित उपयोग के लिए महत्वपूर्ण निर्देश दिए गए हैं। न्यूमेटिक इम्पैक्ट रिंच का उपयोग करने से पहले, उपयोगकर्ता मैनुअल को पढ़ें और समझें।


मैनुअल और डिवाइस में प्रतीक का अर्थ


	चेतावनी! इस प्रतीक से चिह्नित सभी सुरक्षा निर्देशों का पालन करें। इनका पालन न करने पर गंभीर और अपरिवर्तनीय स्वास्थ्य क्षति के साथ-साथ महत्वपूर्ण भौतिक क्षति भी हो सकती है।
	महत्वपूर्ण नोट! यह प्रतीक महत्वपूर्ण निर्देशों को इंगित करता है जिनका पालन इस उपकरण के दोषरहित संचालन के लिए किया जाना चाहिए। केवल इस तरह से संभावित खराबी को रोका जा सकता है।
	उपयोगी जानकारी! यह प्रतीक इस उपकरण के इष्टतम उपयोग के लिए आवश्यक व्याख्यात्मक जानकारी और सुझाव प्रदान करता है।
	ध्यान! कार्य शुरू करने से पहले उपयोगकर्ता मैनुअल पढ़ें।
	श्रवण सुरक्षा का उपयोग करें!
	सुरक्षा चश्मा का उपयोग करें!
	सुरक्षात्मक दस्ताने का उपयोग करें!
	श्वसन सुरक्षा का प्रयोग करें!

इस मैनुअल को अधिकतम सटीकता के साथ संकलित किया गया है। हम किसी भी समय इस मैनुअल को अनुकूलित और तकनीकी रूप से अनुकूलित करने का अधिकार सुरक्षित रखते हैं। छवियाँ और कुछ डेटा वास्तविक उत्पाद से भिन्न हो सकते हैं।

इम्पैक्ट रिंच का उद्देश्य उचित इंटरचेंजेबल सॉकेट का उपयोग करके नट और बोल्ट को ढीला करना और कसना है। इस रिंच में एक समायोज्य टॉर्क है। डिवाइस

को केवल संपीड़ित हवा द्वारा संचालित किया जाता है। 6,3 बार के अधिकतम स्वीकार्य कार्य दबाव से अधिक न हो। वायु आपूर्ति स्रोत से कनेक्शन एक थ्रेडेड निप्ल (शामिल) और एक त्वरित-रिलीज़ कपलिंग के माध्यम से होता है। निकास हवा को वायु आपूर्ति पाइप के बगल में नीचे की ओर डिस्चार्ज किया जाता है। सहायक उपकरण (सॉकेट और एक्सटेंशन) को बदलना त्वरित और आसान है।

 अनुचित या गलत उपयोग को अनुचित उपयोग माना जाएगा और इससे वारंटी रद्द हो जाएगी।

1. महत्वपूर्ण सुरक्षा नियम** निषिद्ध अनुप्रयोग**

- डिवाइस का उपयोग विस्फोटक वातावरण में न करें जिसमें ज्वलनशील तरल पदार्थ, गैसों, धूल के बादल और पेंट जैसे पदार्थ हों।
- संभावित विस्फोटक वातावरण में काम करने के लिए विशेष ध्यान देने की आवश्यकता होती है।
- कभी भी ऑक्सीजन या अन्य ज्वलनशील गैसों को ऊर्जा स्रोत के रूप में उपयोग न करें।
- विद्युत ऊर्जा स्रोतों के संपर्क में आने पर हाथ से चलने वाले प्रभावी रोटरी उपकरणों में आमतौर पर इन्सुलेशन की कमी होती है।
- काम शुरू करने से पहले सुनिश्चित कर लें कि उच्च वोल्टेज केबल, गैस पाइप और पानी के पाइप के संपर्क में आने का कोई खतरा नहीं है।

 सामान्य सुरक्षा निर्देश

- भारी भार के अंतर्गत काम करने वाली कुछ प्रकार की इम्पैक्ट रोटरी मशीनों में विनिमेय उपकरण, जैसे कि हैमर ड्रिल, इन भारों के कारण शीघ्र ही विकृत हो जाते हैं तथा लम्बे समय तक उपयोग के बाद खराब हो सकते हैं।
- मशीन को अनजाने में हिलाने या बदलने योग्य उपकरण को नुकसान पहुंचने से चोट लग सकती है।
- गलत मुद्रा मशीन की सामान्य या अनजाने में होने वाली हरकत का प्रतिकार करने में सक्षम नहीं हो सकती। ऐसी मुद्रा अपनाएँ जो अदला-बदली करने योग्य उपकरण के विफल होने की स्थिति में स्थिरता प्रदान करे।
- धूल कलेक्टर या पानी धोने का उपयोग करने की सिफारिश की जाती है।

- हाथ से चलने वाली मशीनों को बिजली के स्रोत से अलग कर देना चाहिए।
 - हाथ से चलने वाली मशीन का संचालन करते समय प्रतिक्रियात्मक क्षण उत्पन्न हो सकता है।
 - अदला-बदली योग्य उपकरण को घुमाते समय उसमें बाल या कपड़े फंसने का खतरा रहता है।
 - संपीडित वायु नली को क्षति पहुंचने का खतरा रहता है।
 - उपकरण टूटने की स्थिति में सही मुद्रा प्रभावी रूप से ऑपरेटर की सुरक्षा सुनिश्चित करती है।
 - विद्युत आपूर्ति बाधित होने पर स्टार्ट/स्टॉप डिवाइस बंद हो जाता है (वापस स्टॉप स्थिति पर आ जाता है)।
 - स्नेहक का उपयोग केवल निर्माता द्वारा अनुशंसित अनुसार ही करें।
 - सामान्य सुरक्षा और दुर्घटना रोकथाम नियमों का पालन करें। इस उपयोगकर्ता पुस्तिका में दिए गए निर्देशों के अलावा, नियोक्ता के सुरक्षा और दुर्घटना रोकथाम निर्देशों का भी पालन करें।
 - तीसरे पक्ष को उपयोगकर्ता मैनुअल से परिचित कराएं। सुनिश्चित करें कि तीसरे पक्ष सभी आवश्यक निर्देश प्राप्त करने के बाद ही इस डिवाइस का उपयोग करें।
 - बच्चों को दूर रखें और सुनिश्चित करें कि डिवाइस का उपयोग अनधिकृत व्यक्तियों द्वारा न किया जा सके। उपकरण को कभी भी बिना देखरेख के न छोड़ें। बच्चों को इस उत्पाद का उपयोग करने की अनुमति नहीं दी जानी चाहिए। सुनिश्चित करें कि अनधिकृत व्यक्ति इस उत्पाद का उपयोग न कर सकें।
 - यह उपकरण शारीरिक, संवेदी या मानसिक रूप से कमजोर या अनुभव और ज्ञान की कमी वाले व्यक्तियों (बच्चों सहित) द्वारा उपयोग के लिए नहीं है, जब तक कि उनकी सुरक्षा के लिए ज़िम्मेदार व्यक्ति द्वारा उपकरण के उपयोग पर निगरानी या निर्देश न दिया जाए। बच्चों को उपकरण के साथ खेलने से रोकने के लिए उनकी निगरानी की जानी चाहिए।
 - काम करते समय सतर्क और केंद्रित रहें। यदि आप एकाग्रता खो चुके हैं, बीमार हैं, या नशीली दवाओं, शराब या दवा के प्रभाव में हैं, तो इस उपकरण के साथ कोई भी काम न करें। इस उपकरण का उपयोग करते समय ध्यान भटकने से गंभीर दुर्घटनाएँ और चोटें हो सकती हैं।
 - सुरक्षित स्थिति सुनिश्चित करें। काम करते समय उपकरण की त्रुटिहीन और सुरक्षित स्थिति पर ध्यान दें। प्रतिक्रियाशील बलों के कारण तंत्र की अप्रत्याशित हलचल गंभीर चोटों का कारण बन सकती है।
 - नुकसान के लिए देखें। काम शुरू करने से पहले उपकरण में संभावित नुकसान की जाँच करें। अगर कोई खराबी पाई जाती है, तो उपकरण का इस्तेमाल न करें।
 - नुकीली वस्तुओं का उपयोग न करें। उपकरण के अंदर कभी भी नुकीली और/या धातु की वस्तुएँ न डालें।
 - केवल इच्छित उद्देश्य के लिए ही उपयोग करें। रिंच का उपयोग केवल इस उपयोगकर्ता पुस्तिका में वर्णित उद्देश्यों के लिए करें। अनधिकृत उपयोग निषिद्ध है।
 - नियमित रूप से जाँच करें। उपयोग के दौरान, उपकरण के कुछ हिस्से खराब हो सकते हैं। इसलिए, संभावित नुकसान और खराबी के लिए उपकरण की नियमित रूप से जाँच करें। रिटेनिंग रिंग पर विशेष ध्यान दें।
 - केवल मूल स्पेयर पार्ट्स का उपयोग करें। अपनी सुरक्षा के लिए, केवल उपयोगकर्ता मैनुअल में निर्दिष्ट या निर्माता द्वारा अनुशंसित उपकरण और सहायक उपकरण का उपयोग करें।
 - विस्फोटक वातावरण में उपयोग न करें। उपकरण का उपयोग विस्फोटक वातावरण में न करें जिसमें ज्वलनशील तरल पदार्थ, गैसों और विशेष रूप से धूल के बादल और पेंट जैसे पदार्थ हों। ये पदार्थ उपकरण की गर्म सतहों के संपर्क में आने पर आग पकड़ सकते हैं।
- ⚠ विशिष्ट सुरक्षा निर्देश**
- क्लिक-रिलीज़ कपलिंग को सावधानीपूर्वक डिस्कनेक्ट करें। क्लिक-रिलीज़ कपलिंग को डिस्कनेक्ट करते समय, नली के पीछे हटने से होने वाले नुकसान से बचने के लिए हवा की नली को मजबूती से पकड़ें।
 - काम के दौरान पहनने के लिए उपयुक्त कपड़े पहनें। ढीले कपड़े या गहने न पहनें। वे चलते हुए हिस्सों में फंस सकते हैं। अगर आपके बाल लंबे हैं, तो सिर को ढकने वाला कपड़ा या हेयर नेट का इस्तेमाल करें।
 - सुरक्षा चश्मे का उपयोग करें। अपनी आँखों की सुरक्षा के लिए उचित सुरक्षा चश्मा पहनें। उड़ते हुए बोल्ट, नट या सॉकेट गंभीर चोट का कारण बन सकते हैं। स्थापित सॉकेट के विफल होने की स्थिति में, टुकड़े तेज़ गति से बाहर निकलते हैं।
 - उपकरण को निष्क्रिय अवस्था में न चलाएं। अदला-बदली करने योग्य सॉकेट आदि के अनियंत्रित निष्कासन से बचने के लिए उपकरण को निष्क्रिय अवस्था में न चलाएं।

- श्वसन सुरक्षा का उपयोग करें। उचित श्वसन सुरक्षा का लगातार उपयोग करें। संचालन के दौरान, हवा धूल, तेल और अन्य तरल पदार्थ और कणों जैसे हानिकारक पदार्थों से दूषित हो सकती है।
- श्रवण सुरक्षा का उपयोग करें। कार्यस्थल पर शोर का स्तर 90 डीबी (ए) से अधिक होता है। इसलिए, हमेशा उचित श्रवण सुरक्षा का उपयोग करें।
- सुरक्षात्मक दस्ताने पहनें। लोड के तहत कंपनी से चोट लग सकती है। उपकरण पर बेहतर नियंत्रण के लिए, उचित सुरक्षात्मक दस्ताने पहनें।
- हवा की आपूर्ति से डिस्कनेक्ट करें। रखरखाव, मरम्मत, परिवहन या सॉकेट बदलने के दौरान, उपकरण दबाव में नहीं होना चाहिए।
- केवल संपीड़ित हवा का उपयोग करें। बिजली स्रोत के रूप में, केवल संपीड़ित हवा का उपयोग करें। कभी भी ऑक्सीजन या अन्य ज्वलनशील गैसों का उपयोग न करें।
- अधिकतम कार्य दबाव से अधिक न करें। कार्य दबाव को समायोजित करने के लिए दबाव कम करने वाले उपकरण (रेगुलेटर) का उपयोग करें। 63 बार के अधिकतम स्वीकार्य कार्य दबाव से अधिक न करें।
- घूमने वाले हिस्सों को न छुएं। घूमने वाले हिस्सों को कभी न छुएं। उंगलियां या हाथ घायल हो सकते हैं।
- सॉकेट की जाँच करें। प्रत्येक उपयोग से पहले, स्थापित टूल सॉकेट की जाँच करें। ऐसे अदला-बदली करने योग्य सॉकेट और/या एक्सटेंशन का उपयोग न करें जो सही स्थिति में न हों।

उपकरण को कंप्रेसर से जोड़ने से पहले, सुनिश्चित करें कि कंप्रेसर प्रेशर स्विच "ऑफ" स्थिति में है।

उत्पन्न होने पर ऐसे उद्देश्यों के लिए डिज़ाइन किए गए श्वासयंत्र का उपयोग करें।

चेतावनी!: यांत्रिक पीसने, काटने, मिलिंग, ड्रिलिंग और अन्य निर्माण कार्यों से उत्पन्न कुछ प्रकार की धूल में ऐसे पदार्थ होते हैं जो कैंसर, जन्मजात दोष और प्रजनन संबंधी हानि का कारण बन सकते हैं:

- सीसा-आधारित पेंट में सीसा;
- ईंटों, सीमेंट और अन्य चिनाई उत्पादों में क्रिस्टलीय सिलिका;
- रासायनिक उपचारित लकड़ी में आर्सेनिक और क्रोमियम।

संभावित जोखिम की डिग्री इस प्रकार के काम करने की आवृत्ति पर निर्भर करती है। इन रसायनों के संपर्क को कम करने के लिए, अच्छी तरह हवादार क्षेत्रों में काम करें

और सूक्ष्म कणों को छानने के लिए डिज़ाइन किए गए धूल मास्क जैसे सुरक्षा उपकरणों का उपयोग करें।

केवल वायवीय उपकरणों के साथ उपयोग के लिए अभिप्रेत सहायक उपकरण का उपयोग करें। सहायक उपकरण बदलने से पहले, उपकरण रखरखाव करने से पहले, या जब उपकरण उपयोग में न हो, तो सुनिश्चित करें कि उपकरण हवा की आपूर्ति से डिस्कनेक्ट हो गया है।

उपकरण का उपयोग करते समय ढीले कपड़े या गहने न पहनें, क्योंकि वे चलते हुए हिस्सों में फंस सकते हैं और चोट का कारण बन सकते हैं। उपकरण का उपयोग अपने आप से और कार्य क्षेत्र में दूसरों से सुरक्षित दूरी पर करें।

निकास प्रणाली को कनेक्ट करें। सुनिश्चित करें कि उपलब्ध धूल हटाने वाले उपकरण जुड़े हुए हैं और ठीक से काम कर रहे हैं। खतरनाक धूल और धुएं को संभालते समय स्थानीय सुरक्षा नियमों का पालन करें। धूल और धुएं के उत्सर्जन को कम करने के लिए निर्दिष्ट सहायक उपकरण का उपयोग करके इस मैनुअल में दी गई सिफारिशों के अनुसार वायवीय उपकरणों का संचालन और रखरखाव किया जाना चाहिए। धूल भरे कमरों में धूल के घूमने को कम करने के लिए निकास हवा को निर्देशित करें।

कभी भी हवा की धारा को स्वयं या दूसरों की ओर न मोड़ें।

वायवीय उपकरण के प्रत्येक उपयोग से पहले, सुरक्षा उपकरणों या आसानी से क्षतिग्रस्त होने वाले भागों के सही संचालन की पूरी तरह से जाँच करें। चलने वाले भागों की उचित कार्यप्रणाली, जाम होने की अनुपस्थिति और क्षति की जाँच करें।

केवल उपयोगकर्ता मैनुअल में निर्दिष्ट या निर्माता द्वारा अनुशंसित सहायक उपकरण और अतिरिक्त उपकरणों का उपयोग करें। अन्य सहायक उपकरण या अतिरिक्त उपकरणों का उपयोग करने से चोट लगने का जोखिम बढ़ जाता है।

वायवीय औजारों की मरम्मत स्वयं न करें। मरम्मत केवल योग्य विशेषज्ञों द्वारा ही की जानी चाहिए।

वायवीय उपकरण में कोई परिवर्तन न करें। ऐसे परिवर्तन सुरक्षा उपायों की प्रभावशीलता को कम कर सकते हैं और उपयोगकर्ताओं के लिए जोखिम बढ़ा सकते हैं।

उपयुक्त व्यक्तिगत सुरक्षा उपकरणों का उपयोग करें: कान की सुरक्षा के लिए चश्मा, सुरक्षा चश्मा, श्वासयंत्र

(धूल पैदा करने वाली सामग्री के साथ काम करते समय), सुरक्षात्मक दस्ताने (खुरदरी सामग्री को संभालते समय और काम करने के उपकरण बदलते समय)।

विचलित हैं तो काम शुरू न करें। उपयोगकर्ता और रखरखाव कर्मियों को इस उपकरण के आकार, वजन और शक्ति को ध्यान में रखते हुए इसके साथ काम करने के लिए शारीरिक रूप से फिट होना चाहिए।

⚠ उड़ते हुए भागों से होने वाले खतरे

- कार्यवस्तु, विनिमय उपकरण या उपकरण को क्षति पहुंचने से उच्च गति का निष्कासन हो सकता है।
- कार्य-वस्तु, सहायक उपकरण या वायवीय उपकरण की विफलता की स्थिति में, भाग उच्च गति से उड़ सकते हैं।
- विनिमय उपकरण/उपकरणों को बदलने, समायोजन करने या रखरखाव करने से पहले वायवीय उपकरण को संपीड़ित वायु आपूर्ति से अलग कर दें।
- सुनिश्चित करें कि कार्य-वस्तु सुरक्षित रूप से बांधा गया है।
- ऑपरेटर को यह सुनिश्चित करना चाहिए कि आस-पास कोई भी व्यक्ति मौजूद न हो।
- ऊपरी कार्य के लिए सुरक्षात्मक हेलमेट पहनें।
- संचालन करते समय, सहायक उपकरण बदलते समय, तथा वायवीय उपकरणों की मरम्मत या रखरखाव के दौरान, हमेशा प्रभाव-प्रतिरोधी सुरक्षात्मक चश्मा पहनें। प्रत्येक मामले के लिए सुरक्षा के आवश्यक स्तर का व्यक्तिगत रूप से मूल्यांकन किया जाना चाहिए

⚠ उलझाव के कारण होने वाले खतरे

- उचित (विशेष) कपड़ों में काम करें। ढीले कपड़े या गहने न पहनें। बाल, कपड़े और दस्तानों को वायवीय उपकरण के घूमने वाले हिस्सों से दूर रखें। ढीले कपड़े, गहने या लंबे बाल उनमें फंस सकते हैं, जिससे चोट लगने का खतरा हो सकता है।
- कार्यशील ड्राइव तत्व दस्ताने को पकड़ सकता है, जिससे हाथ में गंभीर चोट लग सकती है।
- परिचालन के दौरान, घूर्णनशील ड्राइव तत्व (चक) और विस्तार तत्व आसानी से रबरयुक्त या धातु-प्रबलित सुरक्षात्मक दस्तानों को पकड़ सकते हैं/उनसे लिपट सकते हैं।
- ढीले-ढाले या घिसे हुए दस्ताने, साथ ही कटी हुई उंगलियों वाले दस्ताने का प्रयोग न करें।

- ड्राइव, चक या ड्राइव एक्सटेंशन को पकड़ना सख्त वर्जित है।
- हाथों को कार्यशील ड्राइव तत्व से सुरक्षित दूरी पर रखें।

⚠ परिचालन संबंधी खतरे

- मशीन संचालन के दौरान, ऑपरेटर के हाथ खतरों के संपर्क में आ सकते हैं, जिसमें प्रभाव, कट, घर्षण और तापीय प्रभाव शामिल हैं। हाथों की सुरक्षा के लिए विशेष दस्ताने पहने जाने चाहिए।
- ऑपरेटरों और रखरखाव कर्मियों को मशीन के आकार, वजन और शक्ति को संभालने में शारीरिक रूप से सक्षम होना चाहिए।
- मशीन को सही तरीके से पकड़ें। दोनों हाथों को तैयार रखते हुए, सामान्य या अचानक होने वाली हरकतों का सामना करने के लिए तैयार रहें।
- शरीर का संतुलन बनाए रखें और स्थिर पैर जमाए रखें।
- बिजली बाधित होने पर स्टार्ट/स्टॉप डिवाइस को अक्षम करें।
- केवल निर्माता द्वारा अनुशंसित स्नेहक का ही उपयोग करें।
- सुरक्षात्मक चश्मा, उपयुक्त दस्ताने और अनुशंसित सुरक्षात्मक कपड़ों का उपयोग किया जाना चाहिए।
- प्रत्येक उपयोग से पहले हेड्स का निरीक्षण करें। यदि वे टूटे हुए या क्षतिग्रस्त हों तो उनका उपयोग न करें।
- हाथों या शरीर के अन्य अंगों को चोट लगने या कटने से बचाने के लिए गतिशील भागों के सीधे संपर्क से बचें। हाथों की सुरक्षा के लिए उपयुक्त दस्ताने पहनें।
- यदि प्लास्टिक और गैर-चालक सामग्री का उपयोग किया जाता है तो इलेक्ट्रोस्टैटिक डिस्चार्ज का खतरा होता है।
- पीसने या फिनिशिंग से उत्पन्न धूल और वाष्प के कारण संभावित रूप से विस्फोटक वातावरण उत्पन्न हो सकता है। वर्कपीस के लिए उपयुक्त धूल संग्रह या निष्कर्षण प्रणाली का उपयोग करें।

⚠ बार-बार गति से होने वाले खतरे

- उपकरण के साथ काम करते समय, ऑपरेटर को हाथों, अग्रबाहुओं, गर्दन या शरीर के अन्य भागों में असुविधा का अनुभव हो सकता है।
- यह अनुशंसा की जाती है कि ऑपरेटर उपकरण का उपयोग करते समय एक आरामदायक मुद्रा बनाए रखे, स्थिर पैर बनाए रखे और असंतुलित स्थिति से

बचें। असुविधा और थकान से बचने के लिए ऑपरेटर को लंबे समय तक काम करने के दौरान अपनी स्थिति बदलनी चाहिए।

- यदि ऑपरेटर को लगातार या समय-समय पर असुविधा, दर्द, सुन्नता या जलन महसूस होती है, तो इन चेतावनी लक्षणों को नज़रअंदाज़ नहीं किया जाना चाहिए। ऑपरेटर को नियोक्ता को सूचित करना चाहिए और योग्य चिकित्सा सहायता लेनी चाहिए।

⚠ सहायक उपकरणों से होने वाले खतरे

- अदला-बदली योग्य उपकरण या सहायक उपकरण स्थापित करने से पहले वायवीय उपकरण को बिजली स्रोत से अलग कर दें।
- उपयोग के दौरान और बाद में अदला-बदली योग्य उपकरणों के साथ सीधे संपर्क से बचें, क्योंकि वे गर्म या नुकली हो सकते हैं।
- केवल निर्माता द्वारा अनुशंसित आकार और प्रकार के सामान और उपभोग्य सामग्रियों का ही उपयोग करें; अन्य प्रकार या आकार का उपयोग न करें।
- केवल अक्षुण्ण अदला-बदली योग्य औजारों का ही उपयोग करें। क्षतिग्रस्त अदला-बदली योग्य औजारों का उपयोग करने से टुकड़े अलग-अलग दिशाओं में फेंके जा सकते हैं।

⚠ धूल और वाष्प के खतरे

- डिवाइस के इस्तेमाल के दौरान पैदा होने वाली धूल और वाष्प स्वास्थ्य को नुकसान पहुंचा सकती है (जैसे, कैंसर, जन्म दोष, अस्थमा और/या डर्मेटाइटिस)। इन खतरों के लिए जोखिम मूल्यांकन और उचित नियंत्रण उपाय अनिवार्य हैं।
- जोखिम मूल्यांकन में मशीन के उपयोग के दौरान उत्पन्न धूल और मौजूदा धूल के उड़ने की संभावना को भी शामिल किया जाना चाहिए।
- धूल या धुएं के उत्सर्जन को न्यूनतम करने के लिए अनुदेशों में सुझाए अनुसार उपकरण का संचालन और रखरखाव करें।
- धूल भरे वातावरण में धूल के प्रभाव को न्यूनतम करने के लिए निकास को निर्देशित करें।
- उत्सर्जन बिंदु पर उत्पन्न धूल और वाष्प को नियंत्रित करने को प्राथमिकता दी जानी चाहिए।
- धूल संग्रहण, निष्कर्षण या दमन के लिए सभी अंतर्निर्मित भागों या सहायक उपकरणों का उपयोग और रखरखाव निर्माता के निर्देशों के अनुसार उचित रूप से किया जाना चाहिए।

- अवांछित धूल की वृद्धि को रोकने के लिए उपयोगकर्ता मैनुअल में अनुशंसित अनुसार उपभोग्य सामग्रियों/विनिमय उपकरणों का चयन, रखरखाव और प्रतिस्थापन करें।
- नियोक्ता के निर्देशों और स्वास्थ्य एवं सुरक्षा विनियमों के अनुसार श्वसन सुरक्षा का उपयोग करें।

⚠ शोर के खतरे

- उच्च शोर स्तरों के संपर्क में आने से सुनने की क्षमता में कमी और अन्य समस्याएं हो सकती हैं, जैसे टिनिटस (घंटी, भिनभिनाना, सीटी बजना)। इन खतरों के लिए जोखिम मूल्यांकन और उचित नियंत्रण उपाय आवश्यक हैं।
- जोखिम को कम करने के लिए उपयुक्त नियंत्रण उपायों में कार्य-वस्तु से शोर को रोकने के लिए अवमंदन सामग्री का उपयोग शामिल हो सकता है।
- नियोक्ता के निर्देशों और स्वास्थ्य एवं सुरक्षा विनियमों के अनुसार श्रवण सुरक्षा का उपयोग करें।
- अनपेक्षित शोर वृद्धि को रोकने के लिए उपयोगकर्ता मैनुअल या निर्देशों के अनुसार डिवाइस का संचालन और रखरखाव करें।
- अवांछित शोर वृद्धि को रोकने के लिए उपयोगकर्ता मैनुअल में अनुशंसित अनुसार उपभोग्य सामग्रियों/विनिमय उपकरणों का चयन, रखरखाव और प्रतिस्थापन करें।

⚠ कंपन के खतरे

- कंपन के कारण हाथों और अग्रबाहुओं में तंत्रिका क्षति और रक्त परिसंचरण में बाधा उत्पन्न हो सकती है।
- ठण्डे मौसम में काम करते समय गर्म कपड़े पहनें और हाथों को गर्म और सूखा रखें।
- हाथों को प्रभावी रिंच चक से दूर रखें।
- यदि उंगलियों या हथेलियों पर त्वचा में सुन्नता, झुनझुनी, दर्द या सफेदी महसूस हो, तो पीसने या चमकाने वाली मशीन का संचालन बंद कर दें, नियोक्ता को सूचित करें और चिकित्सा सहायता लें।
- अप्रत्याशित कंपन स्तर में वृद्धि को रोकने के लिए उपयोगकर्ता मैनुअल में बताए अनुसार डिवाइस का संचालन और रखरखाव करें।
- वर्कपीस को संसाधित करते समय विनिमय उपकरणों के कंपन से बचें, क्योंकि इससे कंपन काफी बढ़ सकता है।

- आवश्यक हाथ प्रतिक्रिया बल को ध्यान में रखते हुए, उपकरण को हल्की लेकिन सुरक्षित पकड़ से पकड़ें, क्योंकि मजबूत पकड़ से कंपन का खतरा आमतौर पर अधिक होता है।



वायवीय उपकरणों के लिए अतिरिक्त सुरक्षा निर्देश

- संपीडित हवा गंभीर चोट का कारण बन सकती है।
- वायु आपूर्ति काट दी जानी चाहिए, वायु नली को अलग कर दिया जाना चाहिए, तथा उपकरण को उपयोग में न होने पर, सहायक उपकरण बदलने से पहले, या मरम्मत के दौरान वायु आपूर्ति स्रोत से अलग कर दिया जाना चाहिए।
- अपने ऊपर या किसी अन्य पर हवा का रुख न करें।
- लचीली नली से गंभीर चोट लग सकती है। नली में क्षति और ढीली फिटिंग की जांच की जानी चाहिए।
- सार्वभौमिक कपलिंग (पंजा कपलिंग) का उपयोग करते समय, लॉकिंग पिन स्थापित किए जाने चाहिए, और संभावित नली-से-उपकरण और नली-से-नली कनेक्शन टूटने से बचाने के लिए सुरक्षा कपलिंग के साथ होज़ का उपयोग किया जाना चाहिए।
- उपकरण पर दर्शाए गए अधिकतम वायु दाब से अधिक न करें।
- नली द्वारा वायवीय उपकरण ले जाना निषिद्ध है।

2. संचालन

डिलीवरी सेट खोलना

पैकेजिंग खोलने के बाद, डिलीवरी सेट की पूर्णता और उसकी स्थिति की जांच करें। अधूरी डिलीवरी या कमियों के मामले में, तुरंत आपूर्तिकर्ता से संपर्क करें।

उत्पाद की सेवा अवधि के दौरान मूल पैकेजिंग को सुरक्षित रखें। उत्पाद की सेवा अवधि समाप्त होने के बाद ही पैकेजिंग का निपटान करें।

डिलीवरी सेट में शामिल हैं:

वायु प्रभाव रिच - 1 पीसी ;
1/2-इंच इम्पैक्ट सॉकेट – 3 पीस (17/19/21 मिमी);
त्वरित-रिलीज़ निप्पल 1/4" AG – 1 पीसी.
वायवीय उपकरणों के लिए तेल – 1 ट्यूब

डिवाइस अवलोकन



चित्र .1:

1. सँभालना
2. डिवाइस को चालू और बंद करने के लिए ट्रिगर लीवर
3. अदला-बदली योग्य सॉकेट हेड के लिए 1/2" वर्गाकार ड्राइव
4. सी ओम्बो स्विच (रोटेशन दिशा और टॉर्क स्तर)
5. 1/4" आईजी थ्रेडेड निप्पल

परिचालन प्रारंभ

पहली बार इस्तेमाल करने से पहले, घर्षण को कम करने के लिए डिवाइस को तेल से चिकना किया जाना चाहिए। ऐसा करने के लिए:

- ट्रिगर लीवर दबाते हुए एयर इनलेट पाइप में तेल की 3-5 बूंदें डालें।
- लंबे समय तक संचालन के लिए, ECO AU-04B मिनी-ऑइलर (शामिल नहीं) स्थापित करने की सिफारिश की जाती है।
- मिनी-ऑइलर और निप्पल के धागों को सीलिंग टेप से सील कर दें, और मिनी-ऑइलर को निप्पल में पेंच से कस दें।
- मिनी-ऑइलर को विशेष तेल से भरें, मिनी-ऑइलर पर लगे क्रॉस-स्लॉटेड स्कू को खोलें और छेद में तेल डालें।
- वायु आपूर्ति नली (शामिल नहीं) के त्वरित-रिलीज़ कपलिंग को थ्रेडेड निप्पल से कनेक्ट करें। यह स्वचालित रूप से अपनी जगह पर आ जाएगा।
- सुनिश्चित करें कि वायु आपूर्ति प्रणाली वायु तैयारी इकाई से सुसज्जित है।

संचालन

आवश्यक इंटरचेंजेबल सॉकेट हेड का चयन करें और इसे स्क्रायर ड्राइव पर स्थापित करें (चित्र 1, स्थिति 3 देखें)। सुनिश्चित करें कि अटैचमेंट स्क्रायर ड्राइव पर सुरक्षित रूप से लगा हुआ है।



सुनिश्चित करें कि वायु आपूर्ति प्रणाली का दबाव 6,3 बार से अधिक न हो। दबाव से अधिक होने पर बिजली नहीं बढ़ती बल्कि

केवल संपीड़ित हवा की खपत बढ़ती है और डिवाइस का घिसाव तेज होता है। उसके बाद, कंप्रेसर चालू करें।

न्यूमेटिक इम्पैक्ट रिंच से बोल्ट या नट को हल्का सा कसें। फिर टॉर्क रिंच का उपयोग करके बोल्ट या नट को उसकी ताकत के अनुसार मजबूती से कसें।

ध्यान रखें कि एल्युमीनियम जैसी नरम सामग्री से बने बोल्ट या नट को अधिक कसने से धागे क्षतिग्रस्त हो सकते हैं।

घूर्णन दिशा निर्धारित करना

स्विच (चित्र 1, स्थिति 4) को ढीला करने के लिए बायीं स्थिति पर या कसने के लिए दायीं स्थिति पर सेट करके आवश्यक घूर्णन दिशा निर्धारित करें।



चित्र 2: घूर्णन दिशा निर्धारित करना

- दाहिने हाथ से घुमाने के लिए रिंच के पीछे स्थित स्विच (चित्र 2 देखें) को दाईं ओर घुमाएं।
- बोल्ट को ढीला करने के लिए, स्विच को बाईं स्थिति में घुमाएँ। डिवाइस बाएं हाथ के घुमाव पर स्विच हो जाता है (वामावर्त, चित्र 2)।

टॉर्क सेट करना

टॉर्क एडजस्टमेंट कॉम्बो स्विच (चित्र 2) का उपयोग करके भी किया जाता है। ऐसा करने के लिए, स्विच की स्थिति को वांछित सेटिंग में बदलें:

•	50% टॉर्क
•	85% टॉर्क
•	100% टॉर्क



संलग्नक बदलने से पहले और कोई भी रखरखाव कार्य करने से पहले हमेशा डिवाइस को संपीड़ित वायु आपूर्ति प्रणाली से अलग कर दें।

डिवाइस को बंद करना

- काम में बाधा डालने के लिए ट्रिगर लीवर छोड़ दें।
- काम समाप्त करने के बाद संपीड़ित वायु आपूर्ति प्रणाली से वायवीय प्रभाव रिंच को डिस्कनेक्ट करें।



वायु नली के अनियंत्रित प्रतिक्षेप से बचने के लिए त्वरित-रिलीज़ कपलिंग को डिस्कनेक्ट करते समय वायु नली को मजबूती से पकड़ें।

भंडारण

- न्यूमेटिक इम्पैक्ट रिंच को धूल, गंदगी और कीड़ों से बचाएँ। डिवाइस को हमेशा साथ में दिए गए कैरी केस में रखें।
- सूखे, गर्म और हवादार कमरे में रखें, एसिड, क्षार वाष्प और धूल बनाने वाले पदार्थों से सुरक्षित रखें, तापमान पर न रखें +5°C से कम और सापेक्ष आर्द्रता 70% से अधिक नहीं।



प्रभावी रिंच को तभी पैक करें जब वह पूरी तरह से ठंडा हो जाए।

परिवहन के लिए पैकेजिंग

संभावित क्षति से बचने के लिए परिवहन के दौरान इम्पैक्ट रिंच को हमेशा कैरी केस (शामिल) में रखें।

परिवहन किसी भी प्रकार के ढके हुए परिवहन द्वारा किया जाना चाहिए, जिसमें प्रयुक्त परिवहन के प्रकार पर लागू माल परिवहन नियमों के अनुसार उपकरणों की सुरक्षा सुनिश्चित की जानी चाहिए।

निपटान



इस प्रतीक का मतलब है कि डिवाइस के जीवन के अंत में, इसे सामान्य घरेलू कचरे के साथ नहीं

फेंका जाना चाहिए। डिवाइस को रीसाइकिलिंग के लिए आधिकारिक संग्रह बिंदु पर ले जाएं। ऐसा करके, आप पर्यावरण को संरक्षित करने में मदद करते हैं।

3. स्नेहन और रखरखाव

डिवाइस के पूरी तरह ठंडा हो जाने के बाद ही सफाई और रखरखाव कार्य शुरू करें। सफाई और/या रखरखाव से पहले, डिवाइस को संपीड़ित वायु आपूर्ति प्रणाली से डिस्कनेक्ट करना सुनिश्चित करें।

सफाई

संदूषण को रोकने के लिए, वायवीय प्रभाव रिच को प्रत्येक उपयोग के बाद आपूर्ति किए गए केस में पैक किया जाना चाहिए।



प्रभावी रिच को तभी पैक करें जब वह पूरी तरह से ठंडा हो जाए।

यदि रिच को अभी भी साफ करने की आवश्यकता है, तो इन सिफारिशों का पालन करें:

- डिवाइस को सूखे, मुलायम कपड़े या संपीड़ित हवा से साफ करें।
- कभी भी संक्षारक और/या घर्षणकारी सफाई एजेंटों का उपयोग न करें।

रखरखाव

इस न्यूमेटिक इम्पैक्ट रिच के दोषरहित संचालन और लंबी सेवा जीवन के लिए उचित रूप से तैयार हवा आवश्यक है। आपूर्ति किए गए मिनी-ऑइलर का उपयोग

करते समय, डिवाइस संचालन के दौरान स्वचालित रूप से लुब्रिकेट हो जाती है। नियमित रूप से तेल के स्तर की जाँच करें और यदि आवश्यक हो तो ऑइलर में तेल डालें। प्रत्येक उपयोग से पहले, एयर इनलेट में विशेष न्यूमेटिक टूल ऑयल की 3-5 बूँदें डालें। ऐसा करते समय ट्रिगर लीवर दबाएँ। डिवाइस के 5 दिनों से अधिक समय तक निष्क्रिय रहने के बाद, डिवाइस को चालू करने से पहले एयर इनलेट में विशेष न्यूमेटिक टूल ऑयल की 5-10 बूँदें डालें।



मरम्मत और रखरखाव के दौरान केवल मूल स्पेयर पार्ट्स का ही उपयोग किया जाना चाहिए।

विशेषज्ञों द्वारा सफाई और रखरखाव

धारा 4 में सूचीबद्ध न किए गए रखरखाव कार्यों को केवल अधिकृत सेवा केंद्र पर ही किया जाना चाहिए। यदि पहले 12 महीनों के भीतर अनधिकृत कर्मियों द्वारा रखरखाव किया जाता है, तो आपूर्तिकर्ता (निर्माता) के सभी वारंटी दायित्व शून्य हो जाते हैं।

4. समस्या निवारण

अपने सेवा जीवन के दौरान, उत्पाद के कुछ तत्व और हिस्से अनिवार्य रूप से खराब हो जाएंगे (संसाधन की पूरी कमी, गंभीर आंतरिक या बाहरी संदूषण)। खराब हो चुके हिस्सों को बदलने का काम योग्य सेवा कर्मियों द्वारा किया जाना चाहिए। अगर उत्पाद विफल हो जाता है और ऑपरेटिंग निर्देशों में समस्या को ठीक करने के बारे में कोई जानकारी नहीं है, तो सेवा विभाग से संपर्क करें।

खराबी	संभावित कारण	समाधान
	कम वायु आपूर्ति	वायु आपूर्ति बढ़ाएँ
	दिशा स्विच या टॉर्क स्तर डिस्क स्विच की गलत स्थिति	दिशा स्विच या टॉर्क स्तर डिस्क स्विच की स्थिति की जाँच करें और आवश्यक कार्य स्थितियों के अनुसार इसे आवश्यकतानुसार समायोजित करें
बोल्ट/नट ढीले नहीं हो रहे हैं	घिसा हुआ विनिमेय सॉकेट हेड	अदला-बदली करने योग्य सॉकेट हेड को बदलें
	कम कार्य दबाव	कार्य दबाव बढ़ाएँ, लेकिन अधिकतम स्वीकार्य कार्य दबाव 6.3 बार से अधिक न करें
	वायु नली का छोटा व्यास	9 मिमी व्यास वाली उचित वायु नली का उपयोग करें
विनिमेय सॉकेट हेड स्क्रायर ड्राइव से गिर जाता है	घिसा हुआ विनिमेय सॉकेट हेड	अदला-बदली करने योग्य सॉकेट हेड को बदलें
	दोषपूर्ण या गायब रिटेनिंग रिंग	रिटेनिंग रिंग की जाँच करें और यदि आवश्यक हो तो उसे बदल दें

5. सीमा स्थितियाँ, महत्वपूर्ण स्थितियाँ और कार्मिक कार्यवाहियाँ

कार्मिकों द्वारा गलत कार्यवाहियाँ जिसके कारण कोई घटना या दुर्घटना हो जाती है:

गलत कार्यों को रोकने के लिए, कर्मियों को उपकरण का उपयोग करने से पहले ऑपरेटिंग मैनुअल का ध्यानपूर्वक अध्ययन करना चाहिए। मैनुअल की आवश्यकताओं और सिफारिशों का पालन करने से उपकरण के साथ काम करते समय संभावित त्रुटियों को रोका जा सकेगा, डिवाइस का इष्टतम प्रदर्शन सुनिश्चित होगा और इसकी सेवा जीवन का विस्तार होगा।

प्रमुख गलत कार्य:

- मैनुअल को पढ़े बिना तथा उपकरण से परिचित हुए बिना संचालन शुरू करना।
- ऑपरेटिंग डिवाइस को बिना देखरेख के छोड़ देना।
- शारीरिक, संवेदी या मानसिक क्षमता में कमी या अनुभव या ज्ञान की कमी वाले व्यक्तियों (बच्चों सहित) को उपकरण का उपयोग करने की अनुमति देना।
- कार्य के दौरान व्यक्तिगत सुरक्षा उपकरण (कान की सुरक्षा, चश्मा, या फेसमास्क) का उपयोग न करना।

6. तकनीकी डेटा

अधिकतम कार्य दबाव	6,3 बार
वायु उपभोग	150 ली/मिनट
अधिकतम टॉर्क (कसना)*	1300 एनएम
कार्यशील टॉर्क (3-5 सेकंड के लिए कसना)*	950 एनएम
अधिकतम टॉर्क (ढीलापन)*	1200 एनएम
गति सेटिंग (% टॉर्क)	1 (50%) / 2 (85%) / 3 (100%)
बिना लोड की गति	7500 आरपीएम
कसने के लिए अधिकतम धागा आकार	एम18
प्रभाव तंत्र	जुड़वाँ हथौड़ा
शोर उत्पादन (EN ISO 15744:2008 के अनुसार)	
ध्वनि शक्ति स्तर (LWA)	84.4 डीबी(ए) / के = 3 डीबी(ए)
ध्वनि दबाव स्तर (एलपीए)	95.4 डीबी(ए) / के = 3 डीबी(ए)
कंपन (EN 28662-1, EN ISO 8662-7 के अनुसार)	8.47 मी/से ² / के = 1.33 मी/से ²
वर्गाकार ड्राइव का आकार	½"
निष्पल धागा	¼" आईजी
वायु नली का अनुशंसित व्यास*	Ø 10 मिमी
संपीड़ित हवा की गुणवत्ता	शुद्ध और तेल-समृद्ध
वज़न	2.1 किग्रा

*नोट: सर्वोत्तम परिणामों के लिए, 10 मिमी सेक्शन "क्रिसमस ट्री" प्रकार के कनेक्टर और संबंधित नली के सीधे कनेक्शन का उपयोग करें। त्वरित-रिलीज़ कनेक्शन पर प्रदर्शन हानि संभव है।

- गंभीर विफलताओं की सूची:
- नियंत्रण तत्वों की खराबी.
- कार्यशील घटकों का गंभीर रूप से खराब होना।

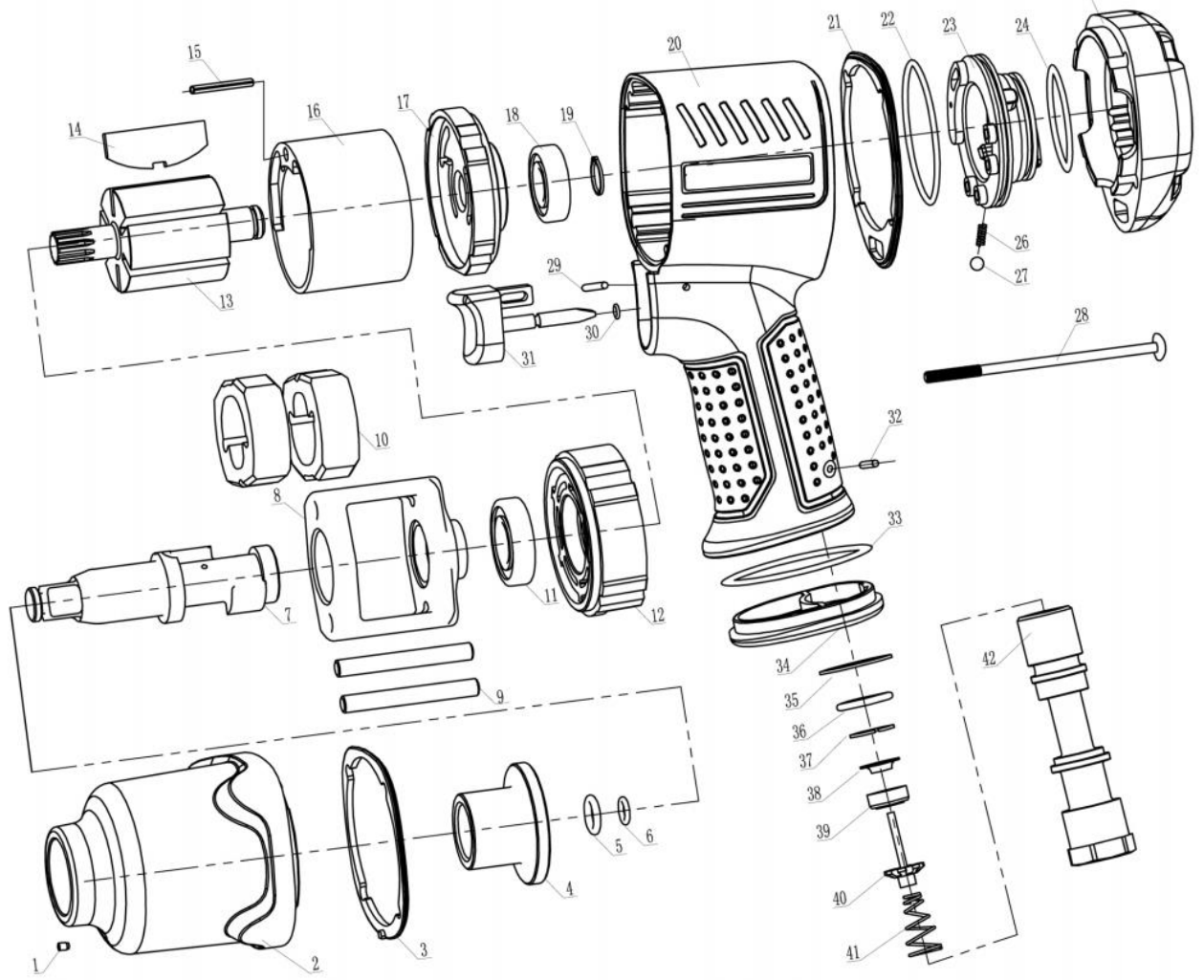
किसी दुर्घटना, गंभीर विफलता या दुर्घटना के मामले में कार्मिक कार्रवाई:

किसी दुर्घटना, गंभीर विफलता और/या दुर्घटना की स्थिति में, सभी संचालन बंद कर दें और घटना के कारण का आकलन करें। यदि उपकरण विफल हो जाता है और ऑपरेटिंग मैनुअल में समस्या को ठीक करने के बारे में कोई जानकारी नहीं है, तो सेवा विभाग से संपर्क करें। खराब हो चुके भागों को योग्य सेवा कर्मियों द्वारा बदला जाना चाहिए।

सीमा राज्य के लिए मानदंड:

- भागों (असेम्बलियों) का अपरिवर्तनीय विरूपण उपकरण के सामान्य संचालन को रोकता है।
- निर्दिष्ट निष्पादन संकेतकों की उपलब्धि।
- भागों के ज्यामितीय आकार और आयामों का विरूपण, सामान्य कार्य में बाधा उत्पन्न करना।
- संक्षारण, क्षरण और सामग्री की उम्र बढ़ने के कारण भागों का अपरिवर्तनीय विनाश।

7. विस्फोटित दृश्य और भागों की सूची



- | | | |
|-----------------|---------------|---------------|
| 1 ग्रीस निप्पल | 15 पिन | 29 पिन |
| 2 सामने का आवास | 16 सिलेंडर | 30 रिंग |
| 3 सीलिंग वॉशर | 17 रियर बेस | 31 ट्रिगर |
| 4 बुशिंग | 18 बुशिंग | 32 पिन |
| 5 अंगूठी | 19 गैस्केट | 33 अंगूठी |
| 6 अंगूठी | 20 मुख्य आवास | 34 निचला कवर |
| 7 रॉड | 21 गैस्केट | 35 वॉशर |
| 8 फ्रेम | 22 रिंग | 36 अंगूठी |
| 9 पिन | 23 स्विच | 37 स्टॉपर |
| 10 हथौड़ा | 24 रिंग | 38 कवर |
| 11 तेल सील | 25 रियर कवर | 39 वाल्व रिंग |
| 12 फ्रंट बेस | 26 वसंत | 40 वाल्व |
| 13 रोटर | 27 बॉल | 41 बसंत |
| 14 रोटर ब्लेड | 28 स्कू | 42 कनेक्टर |

1. قواعد السلامة الهامة

التطبيقات المحظورة



- لا تستخدم الجهاز في بيئات متفجرة تحتوي على مواد مثل السوائل القابلة للاشتعال والغازات وسحب الغبار والدهانات.
- العمل في بيئات يحتمل أن تكون متفجرة يتطلب اهتماماً خاصاً.
- لا تستخدم أبداً الأكسجين أو الغازات القابلة للاشتعال كمصدر للطاقة.
- عادةً ما تفقد الأدوات الدوارة اليدوية إلى العزل عند ملامستها لمصادر الطاقة الكهربائية.
- قبل البدء في العمل، تأكد من عدم وجود خطر التلامس مع كابلات الجهد العالي وأنابيب الغاز وأنابيب المياه.

تعليمات السلامة العامة



- الأدوات القابلة للتبديل في بعض أنواع الآلات الدوارة التصادمية التي تعمل تحت أحمال ثقيلة، مثل المثاقب المطرقة، تتشوه بسرعة بسبب هذه الأحمال وقد تفشل بعد فترة طويلة من الاستخدام.
- قد تؤدي الحركة غير المقصودة للماكينة أو تلف الأداة القابلة للتبديل إلى حدوث إصابات.
- قد لا تسمح الأوضاع غير الصحيحة بمقاومة الحركة الطبيعية أو غير المقصودة للالة. اتخذ وضعية توفر الثبات في حالة فشل الأداة القابلة للتبديل.
- يوصى باستخدام مجمعات الغبار أو الغسيل المائي.
- يجب فصل الأجهزة المحمولة باليد عن مصدر الطاقة قبل تغيير الأداة القابلة للتبديل.
- قد تحدث لحظة رد فعل عند تشغيل آلة محمولة باليد.
- هناك خطر حدوث تشابك (الشعر أو الملابس) عند تدوير الأداة القابلة للتبديل.
- هناك خطر تلف خرطوم الهواء المضغوط.
- تضمن الأوضاع الصحيحة بشكل فعال سلامة المشغل في حالة كسر الأداة.
- يتم إيقاف تشغيل جهاز التشغيل/الإيقاف (يعود إلى وضع التوقف) في حالة انقطاع التيار الكهربائي.
- استخدم مواد التشحيم فقط على النحو الموصى به من قبل الشركة المصنعة.
- اتبع القواعد العامة للسلامة والوقاية من الحوادث. بالإضافة إلى التعليمات الواردة في دليل المستخدم هذا، قم بمراعاة تعليمات السلامة والوقاية من الحوادث الخاصة بصاحب العمل.
- تعريف الأطراف الثالثة بدليل المستخدم. تأكد من عدم استخدام الجهات الخارجية لهذا الجهاز إلا بعد تلقي جميع التعليمات اللازمة.
- أبق الأطفال بعيداً وتأكد من عدم إمكانية استخدام الجهاز من قبل أشخاص غير مصرح لهم. لا تترك الأداة دون مراقبة أبداً. يجب عدم السماح للأطفال باستخدام هذا المنتج. تأكد من عدم تمكن الأشخاص غير المصرح لهم من استخدام هذا المنتج.
- الأداة غير مخصصة للاستخدام من قبل الأفراد (بما في ذلك الأطفال) ذوي القدرات البدنية أو الحسية أو العقلية المنخفضة، أو الذين يفتقرون إلى الخبرة والمعرفة ما لم يتم الإشراف عليهم

عزيزي العميل!

يحتوي هذا الدليل على تعليمات مهمة للاستخدام الأمثل والأمن لمفتاح الربط الهوائي. قبل استخدام مفتاح الربط الهوائي، اقرأ دليل المستخدم وافهمه.

معنى الرمز في الدليل وعلى الجهاز

تحذير!	
اتباع جميع تعليمات السلامة المميزة بهذا الرمز. قد يؤدي عدم الامتثال إلى أضرار صحية جسيمة لا يمكن إصلاحها، بالإضافة إلى أضرار مادية كبيرة.	
ملاحظة هامة!	
يشير هذا الرمز إلى التعليمات المهمة التي يجب اتباعها لتشغيل هذه الأداة بشكل لا تشوبه شائبة. بهذه الطريقة فقط يمكن منع الأعطال المحتملة.	
معلومات مفيدة!	
يوفر هذا الرمز معلومات ونصائح توضيحية ضرورية للاستخدام الأمثل لهذه الأداة.	
انتباه!	
اقرأ دليل المستخدم قبل بدء التشغيل.	
استخدم حماية السمع!	
استخدم نظارات السلامة!	
استخدم القفازات الواقية!	
استخدم حماية الجهاز التنفسي!	

تم تجميع هذا الدليل بأقصى قدر من الدقة. نحن نحفظ بالحق في تحسين هذا الدليل وتكييفه تقنياً في أي وقت. قد تختلف الصور وبعض البيانات عن المنتج الحقيقي.

تم تصميم مفتاح الربط لفة وربط الصواميل والمسامير باستخدام مقبس مناسب قابل للتبديل. يحتوي هذا المفتاح على عزم دوران قابل للتعديل. يتم تشغيل الجهاز فقط عن طريق الهواء المضغوط. لا تتجاوز الحد الأقصى المسموح به لضغط العمل وهو 6,3 بار. يتم الاتصال بمصدر إمداد الهواء من خلال حلقة ملولبة (مضمنة) ووصلة سريعة التحرير. يتم تفرغ هواء العادم بجوار أنبوب إمداد الهواء إلى الأسفل. يعد تغيير الملحقات (المقبس والتمديد) أمراً سريعاً وسهلاً.

يعتبر الاستخدام غير السليم أو غير الصحيح بمثابة استخدام غير مقصود ويبطل الضمان.



- افصله عن مصدر الهواء. أثناء الصيانة أو الإصلاح أو النقل أو تغيير المقبس، يجب ألا تكون الأداة تحت الضغط.
- استخدم الهواء المضغوط فقط. كمصدر للطاقة، استخدم الهواء المضغوط فقط. لا تستخدم أبدًا الأكسجين أو الغازات القابلة للاشتعال.
- لا تتجاوز الحد الأقصى لضغط العمل. استخدم مخفض الضغط (المنظم) لضبط ضغط العمل. لا تتجاوز الحد الأقصى المسموح به لضغط العمل وهو 63 بار.
- لا تلمس الأجزاء الدوارة. لا تلمس أبدًا الأجزاء الدوارة. يمكن أن تتعرض الأصابع أو اليدين للإصابة.
- تحقق من المقبس. قبل كل استخدام، تحقق من مقبس الأداة المثبتة. لا تستخدم مقابس و/أو وصلات قابلة للتبديل وليست في حالة ممتازة.

قبل توصيل الأداة بالضغاط، تأكد من أن مفتاح ضغط الضاغظ في وضع "إيقاف التشغيل".

استخدم دائمًا حماية العين التي تلبى متطلبات السلامة عند تشغيل الأدوات الهوائية. استخدم جهاز التنفس الصناعي المصمم لمثل هذه الأغراض عند ظهور الغبار.

تحذير!: تحتوي بعض أنواع الغبار الناتج عن الطحن الميكانيكي والقطع والطحن والحفر وغيرها من أعمال البناء على مواد يمكن أن تسبب السرطان والعيوب الخلقية والأضرار التناسلية:

- الرصاص في الدهانات التي تحتوي على الرصاص؛
- السيليكا البلورية في الطوب والأسمنت ومنتجات البناء الأخرى؛
- الزرنيخ والكروم في الخشب المعالج كيميائياً.

تختلف درجة مخاطر التعرض المحتملة اعتمادًا على تكرار أداء هذه الأنواع من العمل. لتقليل التعرض لهذه المواد الكيميائية، اعمل في مناطق جيدة التهوية واستخدم معدات السلامة مثل أقمعة الغبار المصممة لتصفية الجزيئات المجهرية.

استخدم فقط الملحقات المعدة للاستخدام مع الأدوات الهوائية. قبل تغيير الملحقات، أو إجراء صيانة للأداة، أو عندما لا تكون الأداة قيد الاستخدام، تأكد من فصل الأداة عن مصدر إمداد الهواء.

عند تشغيل الأداة، لا ترتدي ملابس فضفاضة أو مجوهرات يمكن أن تعلق في الأجزاء المتحركة وتسبب إصابات. استخدم الأداة على مسافة آمنة منك ومن الآخرين في منطقة العمل.

قم بتوصيل نظام العادم. تأكد من أن أجهزة إزالة الغبار المتوفرة متصلة وتعمل بشكل صحيح. اتبع لوائح السلامة المحلية عند التعامل مع الغبار والأبخرة الخطرة. يجب أن يتم تشغيل وصيانة الأدوات الهوائية باتباع التوصيات الواردة في هذا الدليل باستخدام الملحقات المحددة لتقليل انبعاثات الغبار والأبخرة. توجيه هواء العادم لتقليل الغبار المتراكم في الغرف المترتبة.

لا تقم مطلقًا بتوجيه تيار الهواء نحو نفسك أو الآخرين.

قبل كل استخدام للأداة الهوائية، تحقق جيدًا من التشغيل الصحيح لأجهزة السلامة أو الأجزاء التالفة بسهولة. تحقق من الأجزاء المتحركة للتأكد من حسن سير العمل وغياب التشويش والتلف.

استخدم فقط الملحقات والأدوات الإضافية المحددة في دليل المستخدم أو الموصى بها من قبل الشركة المصنعة. يؤدي استخدام ملحقات أخرى أو أدوات إضافية إلى زيادة خطر الإصابة.

أو توجيههم بشأن استخدام الجهاز من قبل شخص مسؤول عن سلامتهم. يجب مراقبة الأطفال لمنع اللعب بالأداة.

- البقاء في حالة تأهب وتركيز أثناء العمل. لا تقم بأي عمل باستخدام هذه الأداة إذا كنت قد فقدت التركيز أو كنت مريضًا أو تحت تأثير المخدرات أو الكحول أو الأدوية. يمكن أن يؤدي فقدان الانتباه أثناء استخدام هذه الأداة إلى وقوع حوادث وإصابات خطيرة.
- ضمان الظروف الآمنة. انتبه إلى الحالة الآمنة والخالية من العيوب للأداة أثناء العمل. يمكن أن تؤدي الحركات غير المتوقعة للألية الناتجة عن قوى رد الفعل إلى إصابات خطيرة.
- انتبه للأضرار. تحقق من الأداة بحثًا عن أي أضرار محتملة قبل بدء التشغيل. إذا تم اكتشاف أي أعطال، فلا تستخدم الأداة.
- لا تستخدم الأشياء الحادة. لا تقم أبدًا بإدخال أشياء حادة و/أو معدنية داخل الأداة.
- استخدم فقط على النحو المنشود. استخدم مفتاح الربط فقط للأغراض الموضحة في دليل المستخدم هذا. يحظر الاستخدام غير المصرح به.
- تحقق بانتظام. أثناء الاستخدام، قد تتآكل بعض أجزاء الأداة. لذلك، قم بفحص الأداة بانتظام بحثًا عن الأضرار والأعطال المحتملة. انتبه بشكل خاص إلى حلقة التثبيت.
- استخدم قطع الغيار الأصلية فقط. من أجل سلامتك، استخدم فقط المعدات والملحقات المحددة في دليل المستخدم أو الموصى بها من قبل الشركة المصنعة.
- لا تستخدم في البيئات المتفجرة. لا تستخدم الأداة في البيئات المتفجرة التي تحتوي على مواد مثل السوائل القابلة للاشتعال والغازات وخاصة سحب الغبار والدهانات. يمكن أن تشتعل هذه المواد عند ملاستها للأسطح الساخنة للأداة.

تعليمات السلامة المحددة



- أفضل أداة التوصيل سريعة التحرير بعناية. عند فصل قارئة التحرير السريع، أمسك خرطوم الهواء بإحكام لتجنب التلف الناتج عن ارتداد الخرطوم.
- ارتداء ملابس العمل المناسبة. لا ترتدي ملابس أو مجوهرات فضفاضة. يمكن أن يتم القبض عليهم في الأجزاء المتحركة. إذا كان شعرك طويلًا، استخدم غطاء للرأس أو شبكة للشعر.
- استخدم نظارات السلامة. ارتداء نظارات السلامة المناسبة لحماية عينيك. يمكن أن تتسبب البراغي أو الصواميل أو المقابس المتطايرة في حدوث إصابات خطيرة. في حالة فشل المقبس المثبت، يتم إخراج الأجزاء بسرعة عالية.
- تجنب الخمول. لا تقم بتشغيل الأداة في وضع الخمول لتجنب إخراج المقابس القابلة للتبديل، وما إلى ذلك بشكل غير متحكم فيه.
- استخدم حماية الجهاز التنفسي. استخدم باستمرار وسائل حماية الجهاز التنفسي المناسبة. أثناء التشغيل، يمكن أن يتلوث الهواء بمواد ضارة مثل الغبار والزيت والسوائل والجسيمات الأخرى.
- استخدم حماية السمع. تتجاوز مستويات الضوضاء في مكان العمل 90 ديسيبل (A). لذلك، استخدم دائمًا حماية السمع المناسبة.
- استخدم القفازات الواقية. الاهتزازات تحت الحمل يمكن أن تسبب إصابات. للتحكم الأمثل في الأداة، قم بارتداء القفازات الواقية المناسبة.

- أثناء تشغيل الماكينة، قد تتعرض يدي المشغل للمخاطر، بما في ذلك الصدمات والجروح والسحجات والتأثيرات الحرارية. ويجب ارتداء قفازات خاصة لحماية اليدين.
- يجب أن يكون المشغلون وأفراد الصيانة قادرين جسديًا على التعامل مع حجم الماكينة ووزنها وقوتها.
- امسك الآلة بشكل صحيح. كن مستعدًا لمواجهة الحركات الطبيعية أو المفاجئة بكلتا يديك جاهزتين.
- الحفاظ على توازن الجسم وضمان ثبات القدم.
- قم بتعطيل جهاز التشغيل/الإيقاف في حالة انقطاع التيار الكهربائي.
- استخدم فقط مواد التشحيم الموصى بها من قبل الشركة المصنعة.
- وينبغي استخدام النظارات الواقية والقفازات المناسبة والملابس الواقية الموصى بها.
- فحص الرؤوس قبل كل استخدام. لا تستخدم إذا كانت متشققة أو تالفة.
- تجنب الاتصال المباشر بالأجزاء المتحركة لمنع قرص أو قطع الأيدي أو أجزاء الجسم الأخرى. ارتداء القفازات المناسبة لحماية اليدين.
- هناك خطر حدوث تفريغ كهرباء في حالة استخدام مواد بلاستيكية وغير موصلة للكهرباء.
- يمكن أن تنتج الأجواء القابلة للانفجار عن الغبار والأبخرة الناتجة عن الطحن أو التشطيب. استخدم أنظمة جمع أو استخلاص الغبار المناسبة لقطعة الشغل.

⚠️ مخاطر الحركة المتكررة

- عند العمل بالأداة، قد يشعر المشغل بعدم الراحة في اليدين أو الساعدين أو الرقبة أو أجزاء أخرى من الجسم.
- من المستحسن أن يتخذ المشغل وضعية مريحة، مع الحفاظ على قدم ثابتة وتجنب الأوضاع غير المتوازنة عند استخدام الأداة. يجب على المشغل تغيير موضعه أثناء العمل لفترة طويلة لتجنب الانزعاج والتعب.
- إذا شعر المشغل بعدم الراحة المستمرة أو الدورية، أو الألم، أو الخدر، أو الإحساس بالحرقان، فلا ينبغي تجاهل هذه الأعراض التحذيرية. يجب على المشغل إبلاغ صاحب العمل وطلب الرعاية الطبية المؤهلة.

⚠️ مخاطر الأدوات المساعدة

- فصل الأداة الهوائية عن مصدر الطاقة قبل تركيب الأدوات أو الملحقات القابلة للتبديل.
- تجنب الاتصال المباشر بالأدوات القابلة للتبديل أثناء الاستخدام وبعده، لأنها قد تكون ساخنة أو حادة.
- استخدم فقط أحجام وأنواع الملحقات والمواد الاستهلاكية الموصى بها من قبل الشركة المصنعة؛ لا تستخدم أنواعًا أو أحجامًا أخرى.
- استخدم فقط الأدوات السليمة القابلة للتبديل. يمكن أن يؤدي استخدام الأدوات التالفة القابلة للتبديل إلى رمي الشظايا في اتجاهات مختلفة.

لا تقم بإصلاح الأدوات الهوائية بنفسك. يجب أن يتم الإصلاح فقط من قبل المتخصصين المؤهلين.

لا تقم بإجراء تعديلات على الأداة الهوائية. قد تؤدي مثل هذه التعديلات إلى تقليل فعالية تدابير السلامة وزيادة المخاطر على المستخدمين.

استخدم معدات الحماية الشخصية المناسبة: واقيات الأذن، ونظارات السلامة، وجهاز التنفس الصناعي (عند العمل مع المواد المولدة للغبار)، والقفازات الواقية (عند التعامل مع المواد الخام وتغيير أدوات العمل).

يتطلب العمل باستخدام الأدوات الهوائية تركيزًا كاملاً. لا تبدأ العمل إذا كنت مشتتًا. يجب أن يكون المستخدم وأفراد الصيانة لائقين بدنيًا للعمل مع هذه الأداة مع الأخذ في الاعتبار حجمها ووزنها وقوتها.

⚠️ المخاطر الناجمة عن الأجزاء المتناظرة

- يمكن أن يؤدي تلف قطعة العمل أو الأداة أو المعدات القابلة للتبديل إلى الطرد عالي السرعة.
- في حالة فشل قطعة العمل أو الملحقات أو الأداة الهوائية، يمكن أن تتطاير الأجزاء بسرعة عالية.
- فصل الأداة الهوائية عن مصدر الهواء المضغوط قبل تغيير الأداة/الملحقات القابلة للتبديل أو الضبط أو إجراء الصيانة.
- تأكد من تثبيت قطعة العمل بشكل آمن.
- يجب على المشغل التأكد من عدم وجود المارة في مكان قريب.
- ارتداء خوذة واقية للأعمال العلوية.
- عند التشغيل، واستبدال الملحقات، وأثناء إصلاح أو صيانة الأدوات الهوائية، احرص دائمًا على ارتداء نظارات واقية مقاومة للصدمات. وينبغي تقييم مستوى الحماية المطلوب بشكل فردي لكل حالة.

⚠️ المخاطر الناجمة عن التشابك

- العمل بالملابس المناسبة (المتخصصة). لا ترتدي ملابس أو مجوهرات فضفاضة. احتفظ بالشعر والملابس والقفازات بعيدًا عن الأجزاء الدوارة للأداة الهوائية. يمكن أن تعلق بالملابس الفضفاضة أو المجوهرات أو الشعر الطويل، مما يشكل خطر الإصابة!
- يمكن لعنصر محرك العمل أن يمسك بالقفازات، مما قد يؤدي إلى إصابات خطيرة في اليد.
- أثناء التشغيل، يمكن بسهولة أن تلتصق/تلتصق عناصر المحرك الدوارة (الأطرف) وعناصر الامتداد حول القفازات الواقية المطاطية أو المعدنية المقواة.
- لا تستخدم القفازات الفضفاضة أو البالية، وكذلك القفازات ذات الأصابع المقطوعة.
- يُمنع منعًا باتًا حمل محرك الأقراص أو ظرف الطرف أو امتداد محرك الأقراص.
- أبق يديك على مسافة آمنة من عنصر محرك العمل.

⚠️ المخاطر التشغيلية

مخاطر الغبار والأبخرة



- تجنب اهتزاز الأدوات القابلة للتبديل عند معالجة قطعة العمل، حيث قد يؤدي ذلك إلى زيادة الاهتزاز بشكل كبير.
- أمسك الأداة بقبضة خفيفة ولكن آمنة، مع الأخذ في الاعتبار قوة رد فعل اليد المطلوبة، لأن خطر الاهتزاز عادة ما يكون أعلى مع قبضة أقوى.

تعليمات السلامة الإضافية للأدوات الهوائية



- الهواء المضغوط يمكن أن يسبب إصابات خطيرة.
- يجب فصل مصدر إمداد الهواء، ويجب فصل خرطوم الهواء، ويجب فصل الأداة عن مصدر إمداد الهواء عند عدم استخدامها، أو قبل تغيير الملحقات، أو أثناء الإصلاحات.
- لا توجه الهواء نحو نفسك أو أي شخص آخر.
- الخراطيم المرنة يمكن أن تسبب إصابات خطيرة. يجب فحص الخراطيم بحثًا عن أي تلف أو تركيبات فضفاضة.
- عند استخدام أدوات التوصيل العامة (أدوات التوصيل المخلبية)، يجب تثبيت دبائيس القفل، ويجب استخدام الخراطيم ذات أدوات التوصيل الآمنة للحماية من احتمال حدوث تمزق في توصيل الخرطوم بالأداة ومن خرطوم إلى خرطوم.
- لا تتجاوز الحد الأقصى لضغط الهواء الموضح على الأداة.
- يحظر حمل أداة تعمل بالهواء المضغوط بواسطة الخرطوم.

2. العملية

تفريغ مجموعة التسليم

بعد فتح العبوة، تحقق من اكتمال مجموعة التوصيل وحالتها. في حالة عدم اكتمال التسليم أو اكتشاف أوجه قصور، اتصل بالمورد على الفور.

احتفظ بالعبوة الأصلية طوال فترة خدمة المنتج. تخلص من العبوة فقط بعد انتهاء فترة خدمة المنتج.

تتضمن مجموعة التسليم:

- مفتاح ربط الهواء – 1 جهاز كمبيوتر.
- مقابض 2/1 بوصة – 3 قطع. (21/19/17 ملم)؛
- حلقة سريعة التحرير مقاس 1/4 بوصة AG - قطعة واحدة.
- زيت للأدوات الهوائية – أنبوب واحد

- يمكن أن يتسبب الغبار والأبخرة الناتجة أثناء استخدام الجهاز في تدهور الصحة (مثل السرطان والعيوب الخلقية والربو و/أو التهاب الجلد). يعد تقييم المخاطر وتدابير التحكم المناسبة لهذه المخاطر أمرًا إلزاميًا.
- يجب أن يشمل تقييم المخاطر الغبار الناتج أثناء استخدام الماكينة وإمكانية نفخ الغبار الموجود.
- قم بتشغيل الجهاز وصيانته على النحو الموصى به في التعليمات لتقليل انبعاثات الغبار أو الدخان.
- قم بتوجيه العادم لتقليل تأثير الغبار في بيئة مليئة بالغبار.
- وينبغي إعطاء الأولوية للتحكم في الغبار والأبخرة المتولدة عند نقطة الانبعاث.
- يجب استخدام جميع الأجزاء أو الملحقات المدمجة لجمع الغبار أو استخراجها أو إخمادها وصيانتها بشكل صحيح وفقًا لتعليمات الشركة المصنعة.
- قم بتحديد وصيانة واستبدال المواد الاستهلاكية/الأدوات القابلة للتبديل على النحو الموصى به في دليل المستخدم لمنع زيادة الغبار غير المرغوب فيه.
- استخدام وسائل حماية الجهاز التنفسي وفقًا لتعليمات صاحب العمل وأنظمة الصحة والسلامة.

مخاطر الضوضاء



- التعرض لمستويات عالية من الضوضاء يمكن أن يؤدي إلى فقدان السمع ومشاكل أخرى، مثل الطنين (الرنين، الطنين، الصفير). من الضروري تقييم المخاطر واتخاذ تدابير الرقابة المناسبة لهذه المخاطر.
- قد تتضمن تدابير التحكم المناسبة لتقليل المخاطر استخدام مواد التخميد لمنع الضوضاء الصادرة عن قطعة العمل.
- استخدم أدوات حماية السمع وفقًا لتعليمات صاحب العمل ولوائح الصحة والسلامة.
- قم بتشغيل الجهاز وصيانته وفقًا لدليل المستخدم أو التعليمات لمنع زيادة الضوضاء غير المقصودة.
- قم بتحديد وصيانة واستبدال المواد الاستهلاكية/الأدوات القابلة للتبديل على النحو الموصى به في دليل المستخدم لمنع زيادة الضوضاء غير المرغوب فيها.

مخاطر الاهتزاز



- يمكن أن يؤدي التعرض للاهتزاز إلى تلف الأعصاب وضعف الدورة الدموية في اليدين والساعدين.
- ارتداء ملابس دافئة عند العمل في ظروف باردة والحفاظ على دفء اليدين وجفافهما.
- أبق يديك بعيدًا عن خراطيم مفتاح الربط.
- في حالة حدوث تنميل أو وخز أو ألم أو تبييض في جلد الأصابع أو راحة اليد، توقف عن تشغيل ماكينة الطحن أو التلميع، وأبلغ صاحب العمل، واطلب الرعاية الطبية.
- قم بتشغيل الجهاز وصيانته كما هو موضح في دليل المستخدم لمنع زيادة مستوى الاهتزاز غير المقصود.

تحديد اتجاه الدوران

اضبط اتجاه الدوران المطلوب عن طريق ضبط المفتاح (الشكل 1، الموضع 4) على الموضع الأيسر للفك أو الموضع الأيمن للربط.



الشكل 2: تحديد اتجاه الدوران

- لربط البراغي، أدر المفتاح (انظر الشكل 2) الموجود في الجزء الخلفي من مفتاح الربط إلى الموضع الصحيح للدوران إلى اليمين.
- لفك البراغي، أدر المفتاح إلى الموضع الأيسر. يتحول الجهاز إلى الدوران الأيسر (عكس اتجاه عقارب الساعة، الشكل 2).

ضبط عزم الدوران

يتم أيضًا ضبط عزم الدوران باستخدام مفتاح التحرير والسرد (الشكل 2). للقيام بذلك، قم بتغيير موضع المفتاح إلى الإعداد المطلوب:

•	عزم الدوران 50%
•	عزم الدوران 85%
•	عزم الدوران 100%

قم دائمًا بفصل الجهاز عن نظام إمداد الهواء المضغوط قبل تغيير الملحقات وقيل إجراء أي عمليات صيانة.



إيقاف تشغيل الجهاز

- لمقاطعة العمل، حرر ذراع الزناد.
- افصل مفتاح الربط الهوائي عن نظام إمداد الهواء المضغوط بعد الانتهاء من العمل.

أمسك خرطوم الهواء بإحكام عند فصل قارئة التحرير السريع لتجنب الارتداد غير المتحكم فيه لخرطوم الهواء.



تخزين

- قم بحماية مفتاح الربط الهوائي من الغبار والأوساخ والحشرات.
- قم دائمًا بوضع الجهاز في حقيبة الحمل المرفقة.
- يخزن في غرفة جافة وساخنة وجيدة التهوية، محمية من الأبخرة الحمضية والقلوية والمواد المكونة للغبار، عند درجة حرارة لا تقل عن +5 درجة مئوية ورطوبة نسبية لا تزيد عن 70%.

قم بتعبئة مفتاح الربط فقط بعد أن يبرد تمامًا.



نظرة عامة على الجهاز



الشكل 1:

1. مقبض
2. رافعة الزناد لتشغيل الجهاز وإيقافه
3. محرك مربع مقاس 1/2 بوصة لرووس المقبس القابلة للتبديل
4. أومبو (اتجاه الدوران ومستوى عزم الدوران)
5. 1/4 "حلمة ملولبة من IG

بدء التشغيل

قبل الاستخدام الأول، يجب تشحيم الجهاز بالزيت لتقليل الاحتكاك. للقيام بذلك:

- أضف 3-5 قطرات من الزيت إلى أنبوب مدخل الهواء أثناء الضغط على ذراع الزناد.
- للتشغيل لفترة طويلة، يوصى بتركيب مزيتة صغيرة ECO AU-04B (غير متضمنة).
- أغلق خيوط أداة التزييت الصغيرة والحلمة بشريط مانع للتسرب، ثم ثبتي أداة التزييت الصغيرة في الحلمة.
- املا المزيتة الصغيرة بزييت خاص، ثم قم بفك المسامير المتقاطع الموجود على المزيتة الصغيرة وصب الزيت في الفتحة.
- قم بتوصيل وصلة التحرير السريع لخرطوم إمداد الهواء (غير متضمن) بالحلمة الملولبة. سيتم تثبيته في مكانه تلقائيًا.
- التأكد من أن نظام إمداد الهواء مزود بوحدة تحضير الهواء.

عملية

حدد رأس المقبس القابل للتبديل الضروري وقم بتثبيته على محرك الأقراص المربع (انظر الشكل 1، الموضع 3). تأكد من تثبيت المرفق بشكل آمن على محرك الأقراص المربع.

تأكد من أن ضغط نظام إمداد الهواء لا يزيد عن 6,3 بار. إن تجاوز الضغط لا يؤدي إلى زيادة الطاقة ولكنه يزيد فقط من استهلاك الهواء المضغوط ويسرع من تآكل الجهاز. بعد ذلك، قم بتشغيل الصاعط.



قم بربط البرغي أو الصامولة برفق باستخدام مفتاح الربط الهوائي. ثم قم بربط البرغي أو الصامولة بإحكام وفقًا لمتطلبات القوة باستخدام مفتاح عزم الدوران.

لاحظ أن الإفراط في ربط البراغي أو الصواميل المصنوعة من مواد ناعمة، مثل الألومنيوم، يمكن أن يؤدي إلى إتلاف الخيوط.

- لا تستخدم أبدًا مواد التنظيف المسببة للتآكل و/أو الكاشطة.

التعبئة والتغليف للنقل

قم دائمًا بتعبئة مفتاح الربط في حقيبة الحمل (المضمنة) أثناء النقل لتجنب أي ضرر محتمل.

يجب أن يتم النقل بواسطة وسائل النقل المغطاة من أي نوع، مع ضمان سلامة المعدات، وفقا لقواعد نقل البضائع المطبقة على نوع النقل المستخدم.

تصرف

ويعني هذا الرمز أنه عند انتهاء عمر الجهاز، لا ينبغي التخلص منه مع النفايات المنزلية العادية. خذ الجهاز إلى نقطة التجميع الرسمية لإعادة التدوير. ومن خلال القيام بذلك، فإنك تساعد في الحفاظ على البيئة.



3. التشحيم والصيانة

لا تبدأ عمليات التنظيف والصيانة إلا بعد أن يبرد الجهاز تمامًا. قبل التنظيف و/أو الصيانة، تأكد من فصل الجهاز عن نظام إمداد الهواء المضغوط.

تنظيف

لمنع التلوث، يجب تعبئة مفتاح الربط الهوائي في حقيبة الحمل المرفقة بعد كل استخدام.

قم بتعبئة مفتاح الربط فقط بعد أن يبرد تمامًا.

إذا كان مفتاح الربط لا يزال بحاجة إلى التنظيف، فاتبع

هذه التوصيات:

- قم بتنظيف الجهاز بقطعة قماش جافة وناعمة أو بالهواء المضغوط.



التنظيف والصيانة على يد متخصصين

يجب إجراء عمليات الصيانة غير المدرجة في القسم 4 فقط في مركز خدمة معتمد. إذا تم إجراء الصيانة بواسطة موظفين غير مصرح لهم خلال أول 12 شهرًا، تصبح جميع التزامات الضمان الخاصة بالمورد (الشركة المصنعة) باطلة.

4. استكشاف الأخطاء وإصلاحها

أثناء فترة الخدمة، ستأكل حتماً بعض العناصر والأجزاء من المنتج (استنزاف الموارد بالكامل، التلوث الداخلي أو الخارجي الشديد). يجب أن يتم استبدال الأجزاء البالية من قبل موظفي الخدمة المؤهلين. إذا فشل المنتج ولم تكن هناك معلومات في تعليمات التشغيل حول كيفية حل المشكلة، فاتصل بقسم الخدمة.

عطل	السبب المحتمل	الحلول
انخفاض إمدادات الهواء	زيادة إمدادات الهواء	
الوضع غير الصحيح لمفتاح الاتجاه أو مفتاح قرص مستوى عزم الدوران واضبطه حسب الضرورة وفقاً لظروف العمل المطلوبة	الوضع غير الصحيح لمفتاح الاتجاه أو مفتاح قرص مستوى عزم الدوران	تحقق من موضع مفتاح الاتجاه أو مفتاح قرص مستوى عزم الدوران واضبطه حسب الضرورة وفقاً لظروف العمل المطلوبة
البراغي/الصواميل لا يتم فكها	رأس المقيس المهترئ القابل للتبديل	استبدل رأس المقيس القابل للتبديل
انخفاض ضغط العمل	انخفاض ضغط العمل	قم بزيادة ضغط العمل، ولكن لا تتجاوز أبداً الحد الأقصى المسموح به لضغط العمل وهو 6.3 بار
قطر صغير لخرطوم الهواء	قطر صغير لخرطوم الهواء	استخدم خرطوم هواء مناسب بقطر 9 ملم
يقع رأس المقيس القابل للتبديل من محرك الأقراص المربع	رأس المقيس المهترئ القابل للتبديل	استبدل رأس المقيس القابل للتبديل
حلقة الاحتفاظ الخاطئة أو المفقودة	حلقة الاحتفاظ الخاطئة أو المفقودة	تحقق من حلقة التثبيت واستبدالها إذا لزم الأمر

لمنع التصرفات الخاطئة، يجب على الموظفين دراسة دليل التشغيل بعناية قبل استخدام الجهاز. سيؤدي الالتزام بمتطلبات وتوصيات الدليل إلى منع الأخطاء المحتملة أثناء العمل مع الأداة، وضمان الأداء الأمثل للجهاز، وإطالة عمر الخدمة. الإجراءات الخاطئة الرئيسية:

5. حالات الحدود، والحالات الحرجة، وإجراءات الموظفين

التصرفات الخاطئة من قبل الموظفين والتي تؤدي إلى وقوع حادث أو حادث:

معلومات في دليل التشغيل حول كيفية حل المشكلة، فاتصل بقسم الخدمة. يجب أن يتم استبدال الأجزاء البالية من قبل موظفي الخدمة المؤهلين.
معايير الحالة الحدية:

- تشوه لا رجعة فيه للأجزاء (التجمعات) يمنع التشغيل الطبيعي للمعدات.
- تحقيق مؤشرات الأداء المحددة.
- تشويه الشكل الهندسي وأبعاد الأجزاء مما يعيق الوظيفة الطبيعية.
- تدمير لا رجعة فيه للأجزاء بسبب التآكل والتآكل وشيخوخة المواد.

- بدء التشغيل دون قراءة الدليل والتعرف على الجهاز.
- ترك جهاز التشغيل دون مراقبة.
- السماح للأشخاص (بما في ذلك الأطفال) ذوي القدرات البدنية أو الحسية أو العقلية المنخفضة أو الذين يفتقرون إلى الخبرة أو المعرفة باستخدام الجهاز.
- عدم استخدام معدات الحماية الشخصية (حماية الأذن، النظارات الواقية، أو قناع الوجه) أثناء التشغيل.
- قائمة الإخفاقات الحرجة:
- خلل في عناصر التحكم.
- التآكل الحرج لمكونات العمل.

إجراءات الموظفين في حالة وقوع حادث أو فشل جسيم أو حادث:

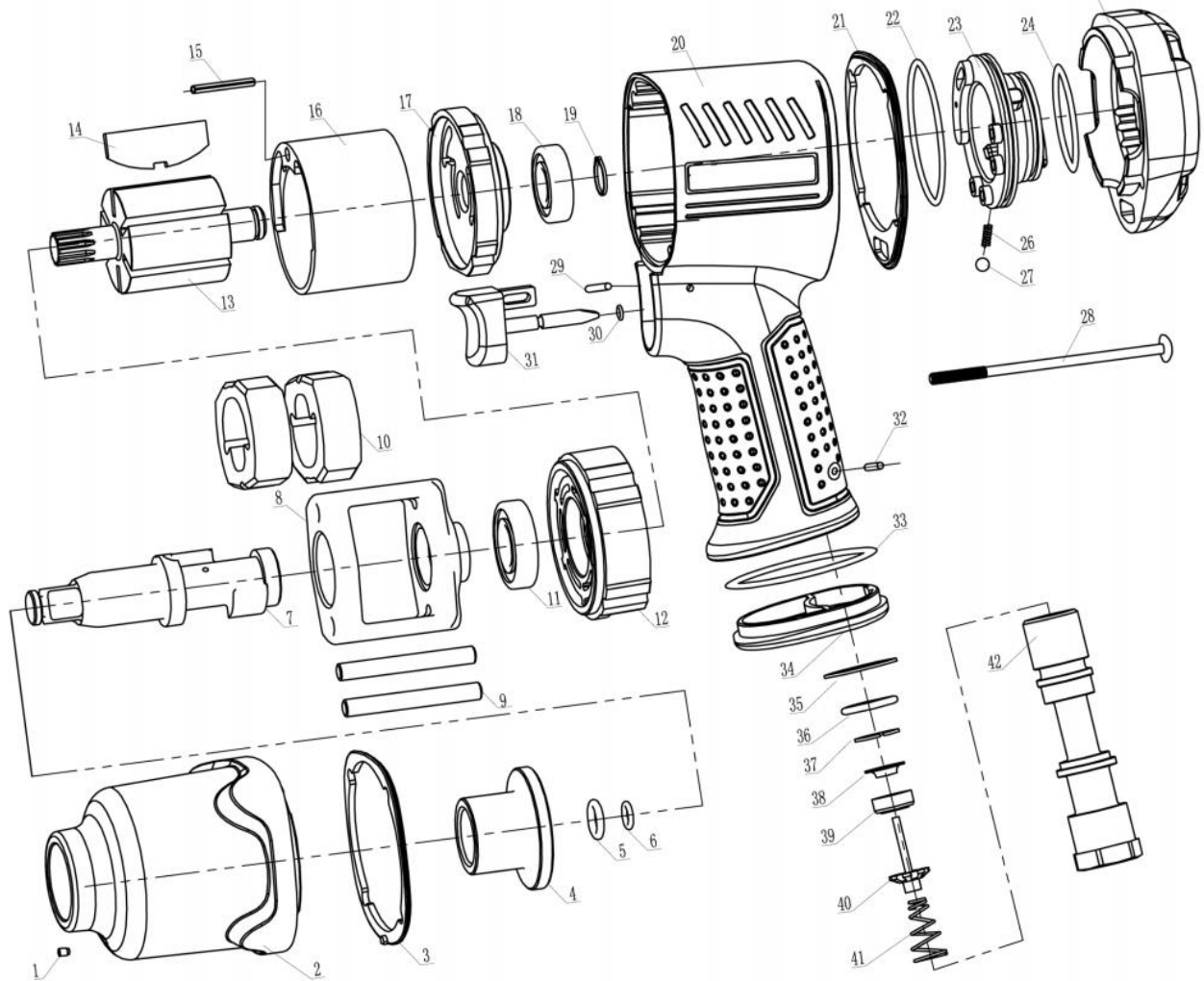
في حالة وقوع حادث، أو فشل فادح، و/أو وقوع حادث، قم بإيقاف جميع العمليات وتقييم سبب الحادث. إذا تعطل الجهاز ولم تكن هناك

6. البيانات الفنية

الحد الأقصى لضغط العمل	6,3 بار
استهلاك الهواء	150 لتر/دقيقة
الحد الأقصى لعزم الدوران (تشديد)*	1300 نيوتن متر
عزم الدوران العامل (الشد لمدة 3-5 ثواني)*	950 نيوتن متر
الحد الأقصى لعزم الدوران (التخفيف)*	1200 نيوتن متر
إعدادات السرعة (% عزم الدوران)	1 (50%) / 2 (85%) / 3 (100%)
سرعة عدم التحميل	7500 دورة في الدقيقة
الحد الأقصى لحجم الخيط للتشديد	18م
آلية التأثير	مطرقة مزدوجة
توليد الضوضاء (وفقاً للمواصفة EN ISO 15744:2008)	
مستوى قوة الصوت (LWA)	84.4 ديسيبل (أ) / ك = 3 ديسيبل (أ)
مستوى ضغط الصوت (LpA)	95.4 ديسيبل (أ) / ك = 3 ديسيبل (أ)
الاهتزاز (وفقاً للمواصفة EN ISO 8662-7، EN 28662-1)	8.47 م/ث ² / ك = 1.33 م/ث ²
حجم محرك مربع	"1/2"
خيط الحلمة	"1/4" إي جي
القطر الموصى به لخرطوم الهواء*	10 Ø ملم
جودة الهواء المضغوط	المنقى والغني بالزيت
وزن	2.1 كجم

*ملاحظة: للحصول على أفضل النتائج، استخدم موصلًا من نوع "شجرة عيد الميلاد" مقاس 10 مم ووصلة مباشرة للخرطوم المقابل. من الممكن فقدان الأداء عند الاتصال سريع التحرير.

7. عرض مستكشف وقائمة الأجزاء



- | | | |
|------------------|------------------|-----------------|
| 29 دبوس | 15 دبوس | 1 حلقة الشحوم |
| 30 خاتم | 16 سلندر | 2 السكن الأمامي |
| 31 الزناد | 17 قاعدة خلفية | 3 غسالة الختم |
| 32 دبوس | 18 جلبة | 4 جلبة |
| 33 خاتم | 19 حشية | 5 حلقة |
| 34 الغطاء السفلي | 20 مسكن رئيسي | 6 حلقة |
| 35 غسالة | 21 حشية | 7 رود |
| 36 خاتم | 22 خاتم | 8 الإطار |
| 37 سدادة | 23 التبديل | 9 دبوس |
| 38 الغلاف | 24 حلقة | 10 مطرقة |
| 39 حلقة الصمام | 25 الغطاء الخلفي | 11 ختم الزيت |
| 40 صمام | 26 الربيع | 12 قاعدة أمامية |
| 41 الربيع | 27 كرة | 13 الدوار |
| 42 موصل | 28 برغي | 14 شفرة الدوار |