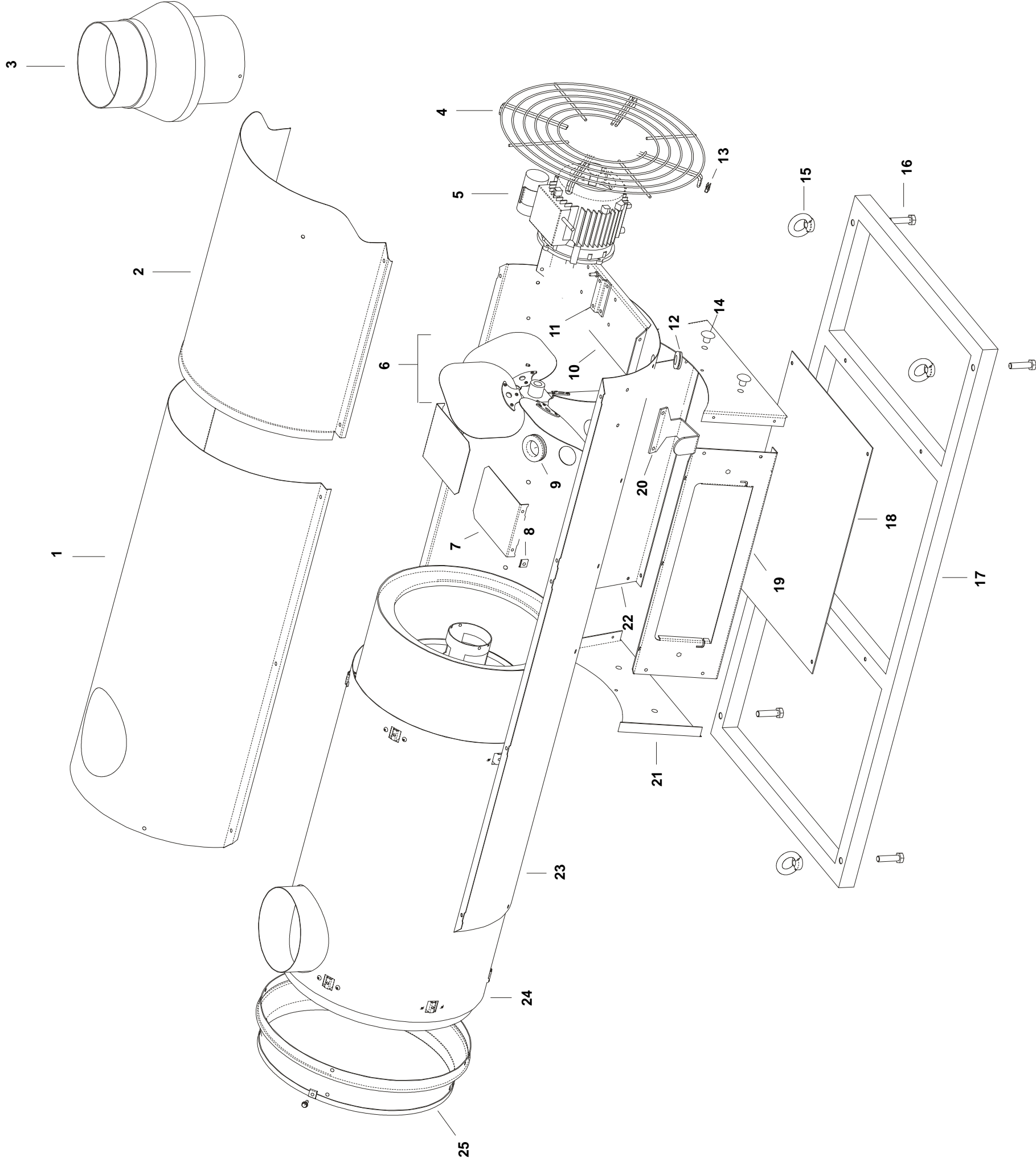


BVS 170 E MASTER

UNIT 1

ILLUSTRATED PARTS BREAKDOWN

Edizione 2005
Rev. 0

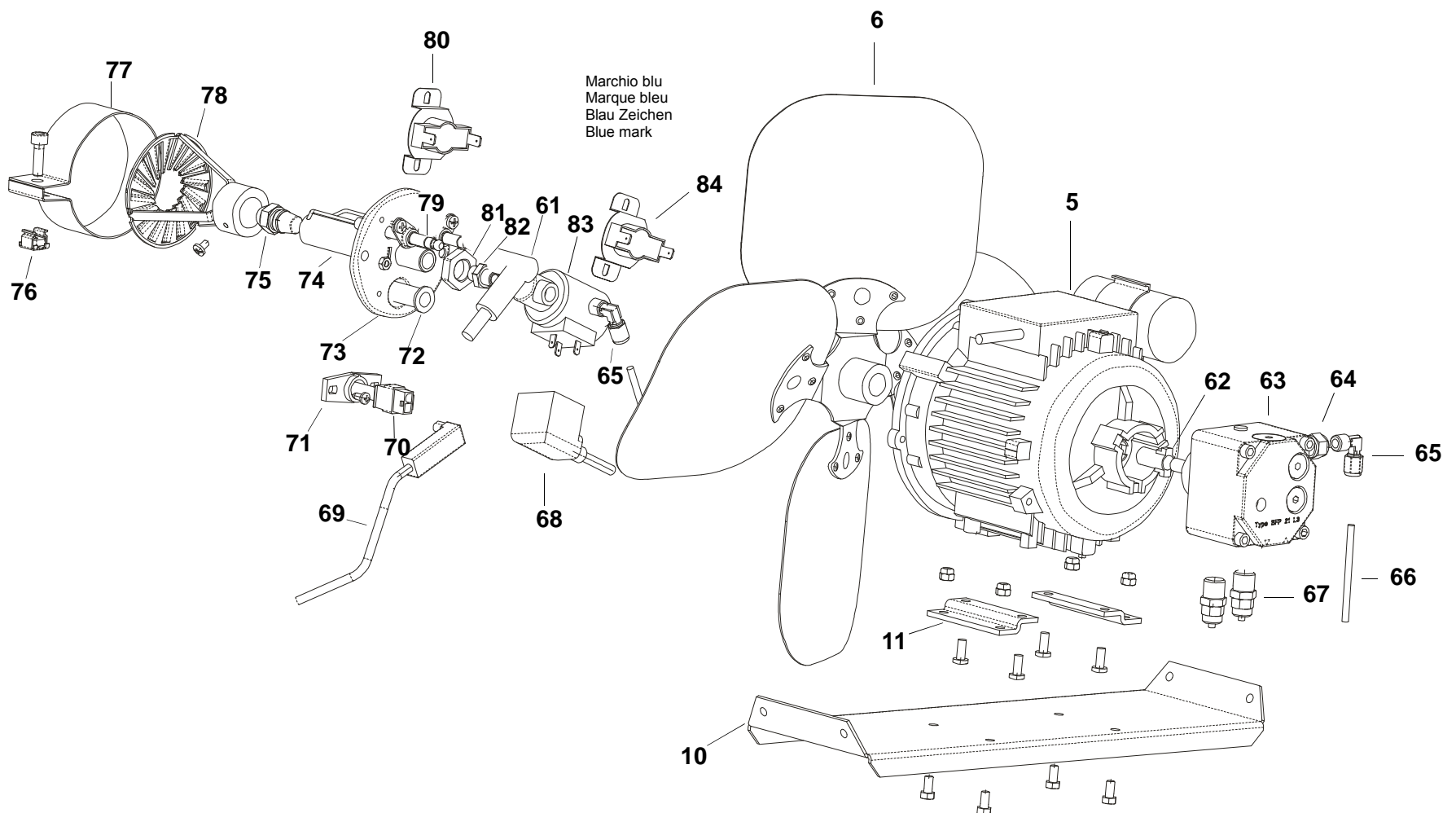
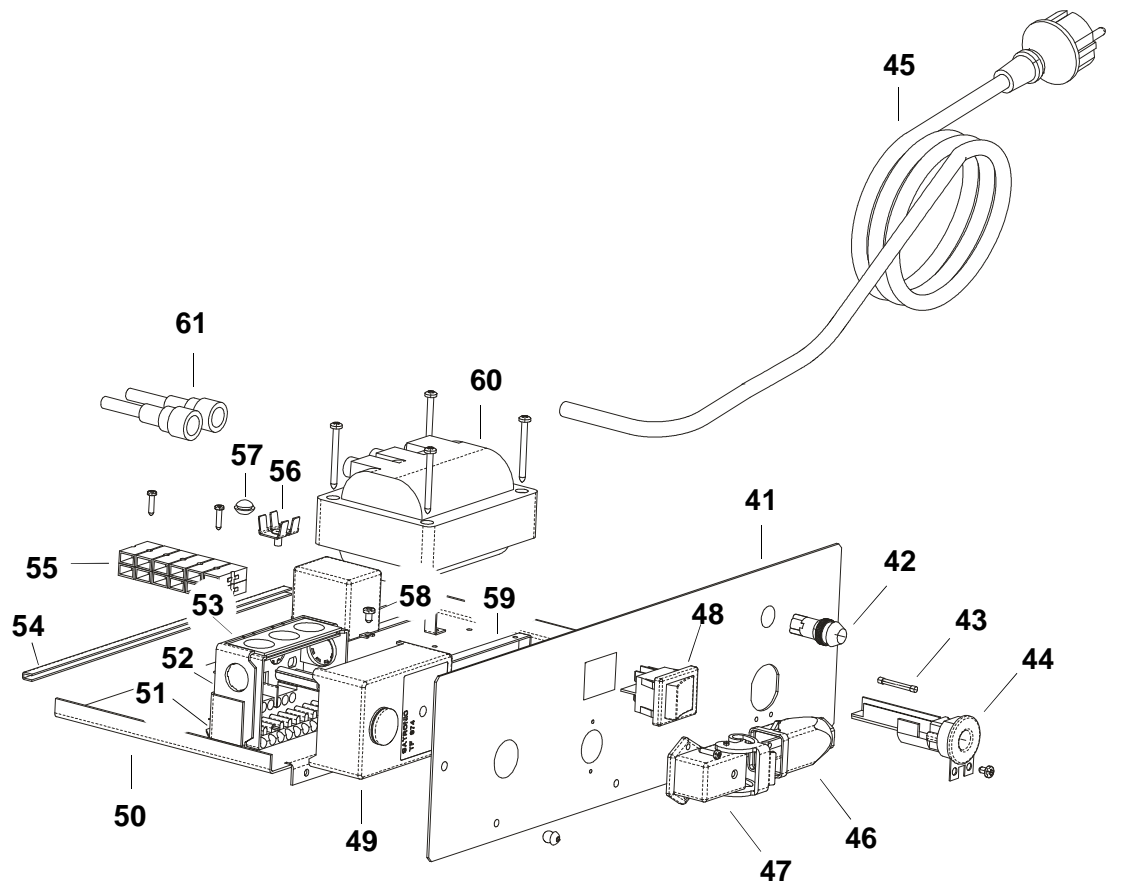
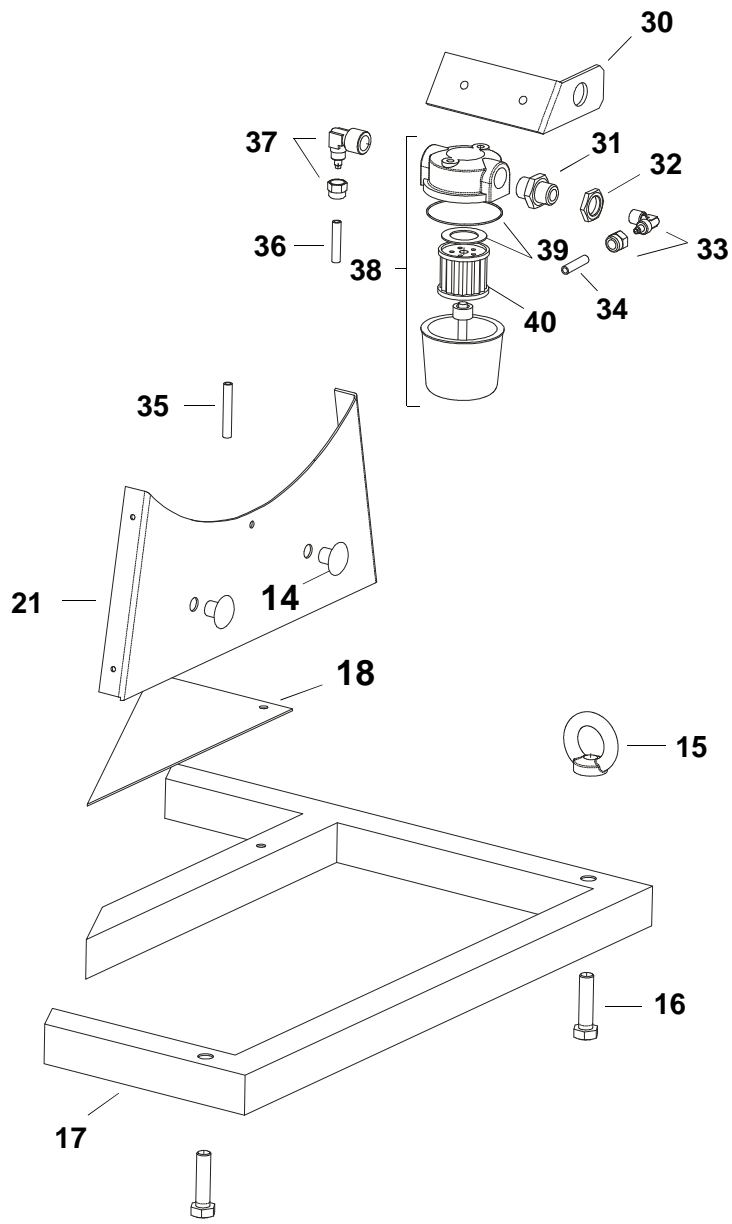


BVS 170 E MASTER

UNIT 2

ILLUSTRATED PARTS BREAKDOWN

Edizione 2005
Rev. 0



MASTER SUSPENDED HEATERS BVS 170

Pos.	Code NR	Description
1	S/R	Upper body
2	S/R	Upper body mobile
3	4032.534	Chimney
4	4032.557	Inlet grille
5	4032.594	Motor 250W
6	4032.593	Fan
7	4032.554	Air flap
8	4104.170	Clip nut
9	4111.056	Protection cable
10	4032.555	Motor flange support
11	4032.519	Motor flange
12	4160.646	Protection cable
13	4111.241	Elastic plate
14	4032.509	Rubber pin
15	4032.491	Lug
16	4032.492	Screw TE M10x40
17	4032.610	Suspending frame
18	4032.611	Lower panel
19	S/R	Electr. componets drawer
20	4032.536	Power cord hook
21	S/R	Base
22	S/R	Side panel
23	S/R	Lower body
24	4032.541	Combustion chamber
25	4032.544	Outlet cone
30	4032.437	Filter support
31	4031.802	Double screw
32	4031.800	Conn. straight 3/8" Mx5
33	4111.273	Connection 90° 1/8"
34	4032.596	Fuel pipe filter-pump
35	4032.618	Fuel pipe pump-tank
36	4032.617	Fuel pipe tank-filter
37	4031.803	Connection 90° 3/8"
38	4111.045	Filter with cartidge 3/8"
39	4111.116	OR KIT filter
40	4031.015	Filter cartridge
41	4032.446	Electr. components drawer
42	4117.058	Pilot lamp 230V
43	4111.040	Fuse (6,3x32) 10 A
44	4111.038	Cable fastener
45	4111.153	Power cord
46	4111.118	Thermostat plug
47	4111.119	Plate plug

MASTER SUSPENDED HEATERS BVS 170

Pos.	Code NR	Description
48	4160.637	Switch
49	4110.968	Control box Satronic
50	4032.448	Electr. components base
51	4032.499	Control box support
52	4110.969	Control box base
53	4110.967	Support PG photocell
54	4110.155	Edge Liner
55	4111.033	Terminal board
56	4160.639	Pop rivet with termin. 4 way
57	4032.450	Plastic pin
58	4111.032	Relay Finder
59	4111.030	Transformer support
60	4031.035	Transformer
61	4110.971	H.T. cable
62	4111.081	Coupling Simel
63	4032.093	Pump Danfoss
64	4161.501	Nut for bicone 1/8
65	4161.140	Connection 90° 1/8"
66	4111.049	Oil supply pipe
67	4031.160	Conn. Straight 1/4"
68	4032.110	Power cord Solenoid spool
69	4110.970	Photocell conn. cable.
70	4110.966	Photocell
71	4111.076	Photocell block bracket
72	4032.406	Photocell support
73	4032.574	Burner flange
74	4032.403	Nozzle support
75	4031.025	Nozzle 1,00 GPH 80°
76	4032.454	Nut M6
77	4032.545	Air regulatoin flap
78	4032.570	Turbo disc
79	4031.095	Electrode
80	4031.045	Fan Thermostat
81	4032.407	Conn. straight Mx14x6
82	4160.968	Conn. straight 1/8"
83	4102.535	Solenoid spool 230V/50Hz
84	4031.047	Limit Thermostat

S/R = Parts available by special request only