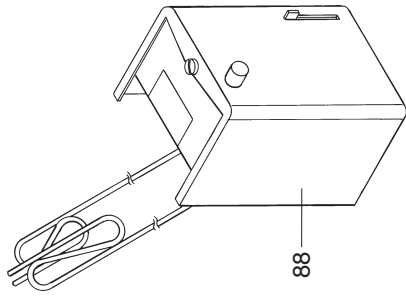
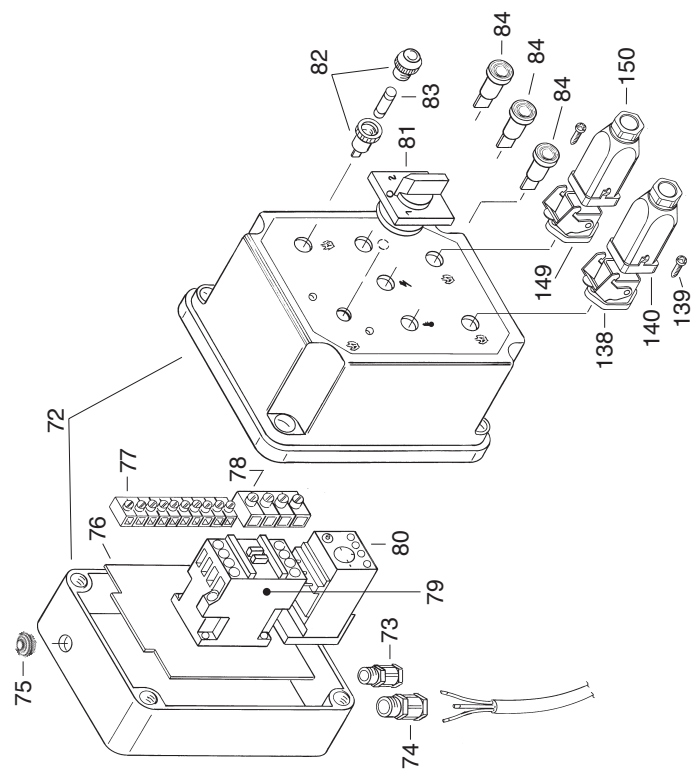


L

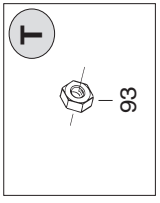
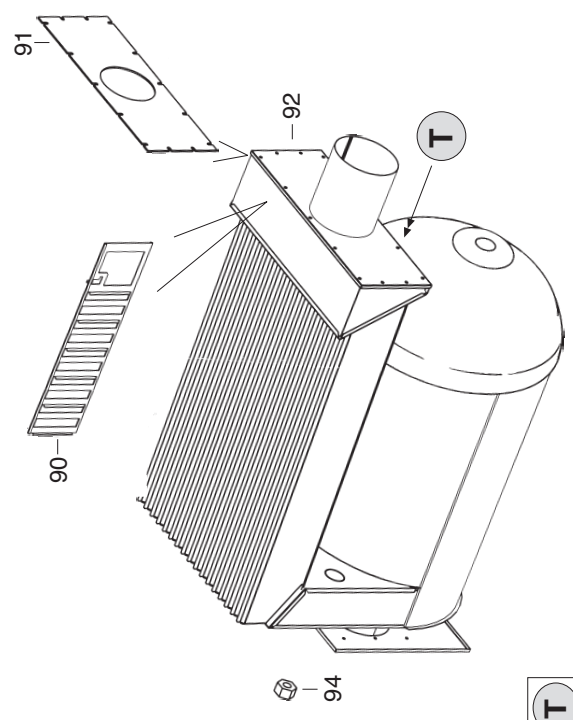


H

Optional (2)
 Filtro gasolio con preriscaldito
 Filtre gasoil pre-chauffage
 Heizölvorwärmfilter - Oil pre-heaters filter



89 (90/91/92/93)



MASTER HIGH OUTPUT INDIRECT HEATERS BV 460 E

Pos.	Code NR	Description
1	4031.342	Burner casing
2	4031.343	Burner casing top cover
3	S/R	Burner panel
4	4031.890	Outlet air panel Ø584
5	S/R	Front upper panel
6	S/R	Inner panel
7	S/R	Rear upper panel
8	S/R	Inner panel
9	S/R	Side panel
10	S/R	Inner panel
11	4032.221	Chimney flange Ø200
12	S/R	Chimney panel
14	4032.016	Motor support plate
15	4032.222	Bottom panel
16	4031.344	Wheels axle
17	4031.183	Front support
18	4031.331	Aluminum joint with nut M10
19	S/R	Upper short angle steel
20	S/R	Upper long SX angle steel
21	S/R	Upper long DX angle steel
22	S/R	Vertical front SX angle steel
23	S/R	Vertical front DX angle steel
24	S/R	Vertical back SX angle steel
25	S/R	Vertical back DX angle steel
26	S/R	Lower short angle steel
27	S/R	Lower long SX angle steel
28	S/R	Lower long DX angle steel
29	S/R	Comb. chamber support
30	S/R	Comb. chamber SX support
31	S/R	Comb. chamber DX support
32	4032.161	Aluminum joint
33	4013.227	4 Ways Ø275 panel
34	S/R	Fan support panel
51	4031.332	Suspending ring screw M10
52	4032.028	Burner support (Minor 20-Blu 170)
53	4031.201	Burner plate seal 210x210x5
54	4140.675	Screw TC 8x1"
56	4031.386	Wheel Ø250
58	4032.089	Screw TE M8x25
59	4032.040	Screw TE14x1/2" FR
61	4032.107	Screw TC M6x16 F.R.
62	4031.345	Motor HP 1,5 V.230/50 1Ph
63	4031.346	Condenser mF 32
64	4032.047	Screw TE M8x30
65	4140.668	Washer Ø8xØ24x2,5
66	4140.669	Spring washer Ø8
67	4140.671	Nut M8

MASTER HIGH OUTPUT INDIRECT HEATERS BV 460 E

Pos.	Code NR	Description
68	4031.347	Fan Ø560
69	4032.169	Screw TE M10x20
70	4032.043	Spring washer Ø10
71	4032.046	Washer Ø11xØ35x2
72	4031.355	El. components box
73	4032.053	Cable fastener PG 9
74	4032.052	Cable fastener PG 11
75	4162.101	Cable protection Ø18
76	4032.054	El. components support plate
77	4032.055	Terminal board 12 el. mmq 6
78	4032.056	Terminal board 12 el. mmq 10
79	4031.334	Contacteur Wimex KN16 V220
80	4032.061	Relay Iskra TRB14 A. 6-10
81	4031.268	Control Knob 1-0-2
82	4031.902	Fuse holder
83	4031.102	Fuse (5x20) A. 6
84	4031.169	Red pilot lamp Ø12 V230
88	4031.194	Bithermostat
89	4032.069	Combustion chamber
90	4032.070	Baffle plate
91	4032.072	Chimney seal 513x248x5
92	4032.074	Chimney cover
93	4032.075	Nut M6 OT
94	4032.076	Female plug 1"
124	4032.100	Oil pre-heaters filter 3/8"
125	4111.116	OR KIT filter
126	4031.179	Filter cartridge
127	4031.122	Filter support
128	4032.104	Nipple 3/8"- 1/4"
130	4031.177	Wheel holder Ø25
131	4031.178	Plastic plug
134	S/R	Inlet grille
137	S/R	Connection 3/8"
138	4032.108	Thermostat plug 3P + T
139	4032.109	Screw TC 4x1/2"
140	4031.089	Plate plug 3P + T
149	S/R	Thermostat plug 4P + T
150	4031.087	Plate plug 4P + T

S/R = Parts available by special request only