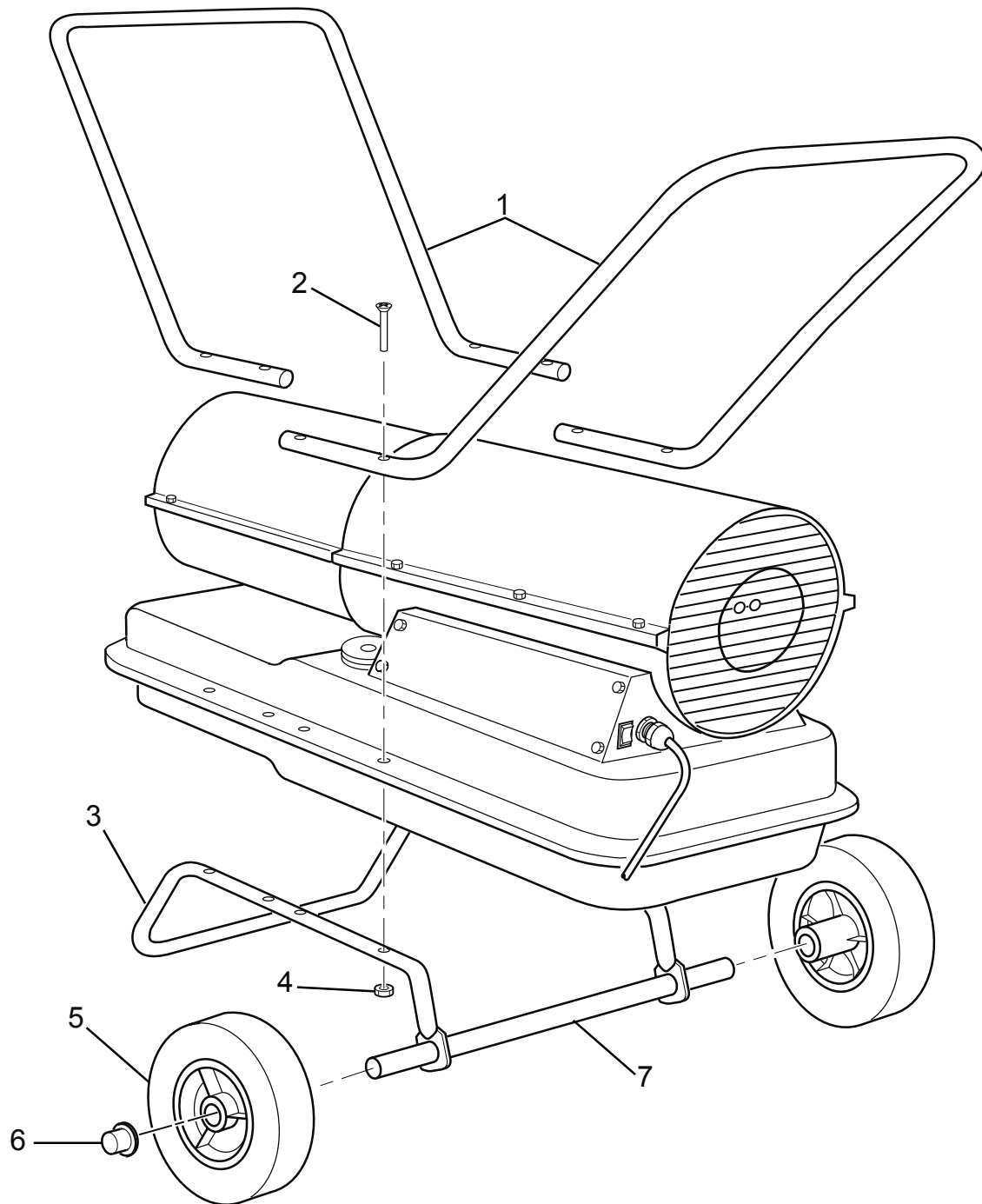


MASTER DIRECT OIL HEATERS - WHEELS AND HANDLES

MODELS 100/150 CEL and 100/150 CED

ILLUSTRATED PARTS BREAKDOWN



MASTER DIRECT OIL HEATERS - WHEELS AND HANDLES

MODELS 100/150 CEL and 100/150 CED

PARTS LIST

<i>Key No.</i>	<i>Part Number</i>	<i>Description</i>	<i>Qty.</i>
1	4110.077	Handles	2
2	4110.144	Screw	8
3	4110.078	Wheel Support Frame	1
4	4110.143	Hex Nut,	8
5	4110.084	Wheels Kit	1
6	4110.085	Cap Nut	2
7	4110.109	Axle	1